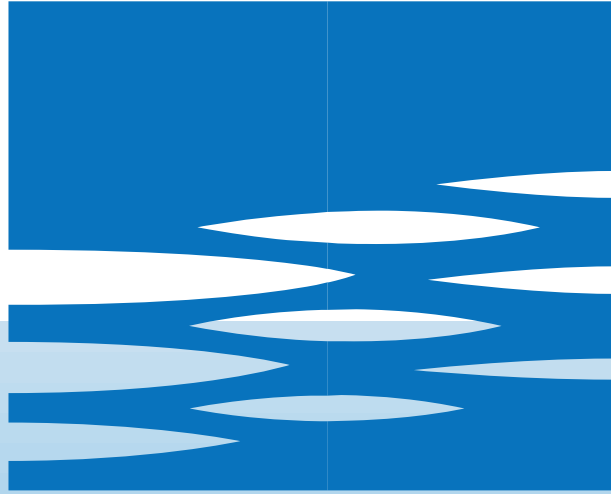


PUMP  TECH



EBARA

	Page
- SPECIFICATIONS	200
PERFORMANCE RANGE and SELECTION CHART	201
TYPE KEY and CURVE SPECIFICATIONS	202
PERFORMANCE CURVE JESX 5	203
PERFORMANCE CURVE JESX 6	204
PERFORMANCE CURVE JESX 8	205
- CONSTRUCTIONS	300
SECTIONAL VIEW	300
MECHANICAL SEAL and BEARINGS	301
- DIMENSIONS AND WEIGHT	400
PUMP	400
PACKING	401
- TECHNICAL DATA	500
MOTOR DATA	500
NOISE DATA	500
- INSTALLATION	600

SPECIFICATION

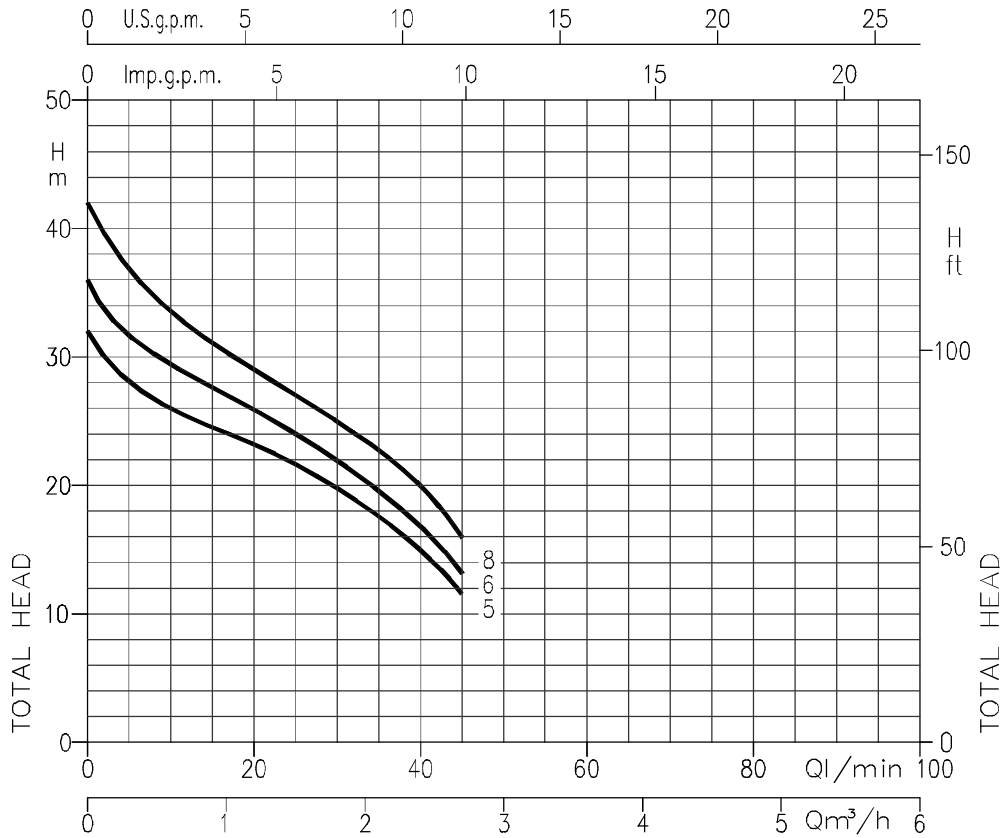
50Hz

Rev. G

PUMP		
Liquid Handled	Type of liquid	Clean water
	Temperature [°C]	min. +5 max. +45
Maximum working pressure	[MPa]	0.6
Maximum suction depth	[m]	8
Construction	Impeller	Closed centrifugal type
	Shaft seal type	Mechanical seal
	Bearing	Sealed ball bearing
Pipe Connection	Suction [inch]	G 1" UNI ISO 228
	Discharge [inch]	G 1" UNI ISO 228
Material	Casing	AISI 304
	Impeller	PPE+PS glass fibre reinforced
	Casing cover	AISI 304
	Shaft seal	Ceramic/Carbon/NBR
	Shaft	AISI 303 (Wet extension)
	Stages	-
	Ejector	PPE+PS glass fibre reinforced
	Bracket	Aluminium
Diffuser	PPE+PS glass fibre reinforced	
Applicable standard of test		ISO 9906:2012 – Grade 3B

MOTOR		
Type	Electric - TEFC	
	Single Phase	Three Phase
No. of Poles	2	
Rotation speed [min ⁻¹]	≈ 2800	
Insulation Class	F	
Protection degree (CEI EN 60034-5)	IP 54 IP 55 (on request)	
Power rating [kW]	0.37 ÷ 0.6	
[HP]	0.5 ÷ 0.8	
Frequency [Hz]	50	
Voltage [V]	230 ±10%	230/400 ±10%
Capacitor	Built in	-
Over load protection	Built in	Provided by the user
Casing material	Aluminium	
Motor support	Aluminium	
Dimensions of cable entry	PG 11 (see dimensions page 400)	

PERFORMANCE RANGE

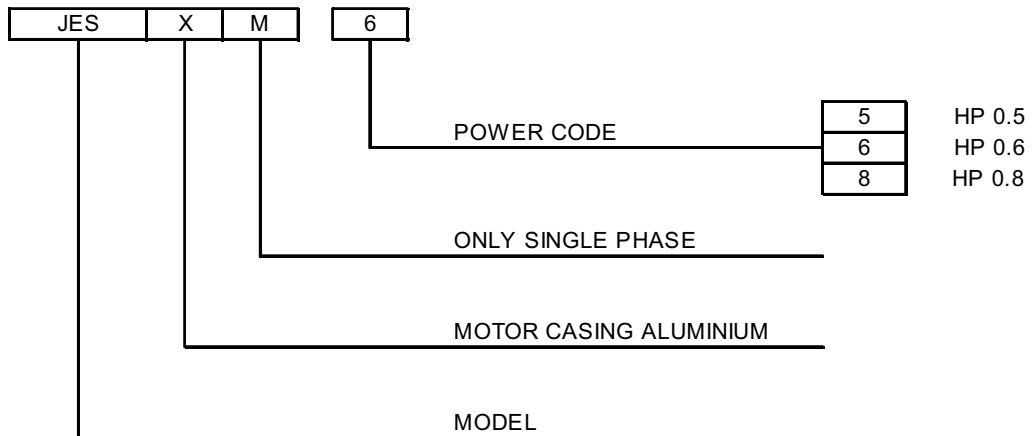


SELECTION CHART

Pump Type		Power		Q=Capacity				
Single Phase	Three Phase	[kW]	[HP]	l/min	5	20	40	45
				m³/h	0.3	1.2	2.4	2.7
JESXM5	JESX 5	0.37	0.5	32	28	23	15	11.5
JESXM 6	JESX 6	0.44	0.6	36	31.5	26	17	13.5
JESXM 8	JESX 8	0.6	0.8	42	37	29	20	16

H=Total manometric head in meters

TYPE KEY



PERFORMANCE CURVE SPECIFICATIONS

The specifications below qualify the curves shown on the following pages.

Tolerances according to ISO 9906:2012 – Grade 3B

The curves refer to effective speed of asynchronous motors at 50 Hz, 2 poles.

Measurements were carried out with clean water at 20°C of temperature and with a kinematic viscosity of $\nu = 1 \text{ mm}^2/\text{s}$ (1 cSt)

The NPSH curve is an average curve obtained in the same conditions of performance curves.

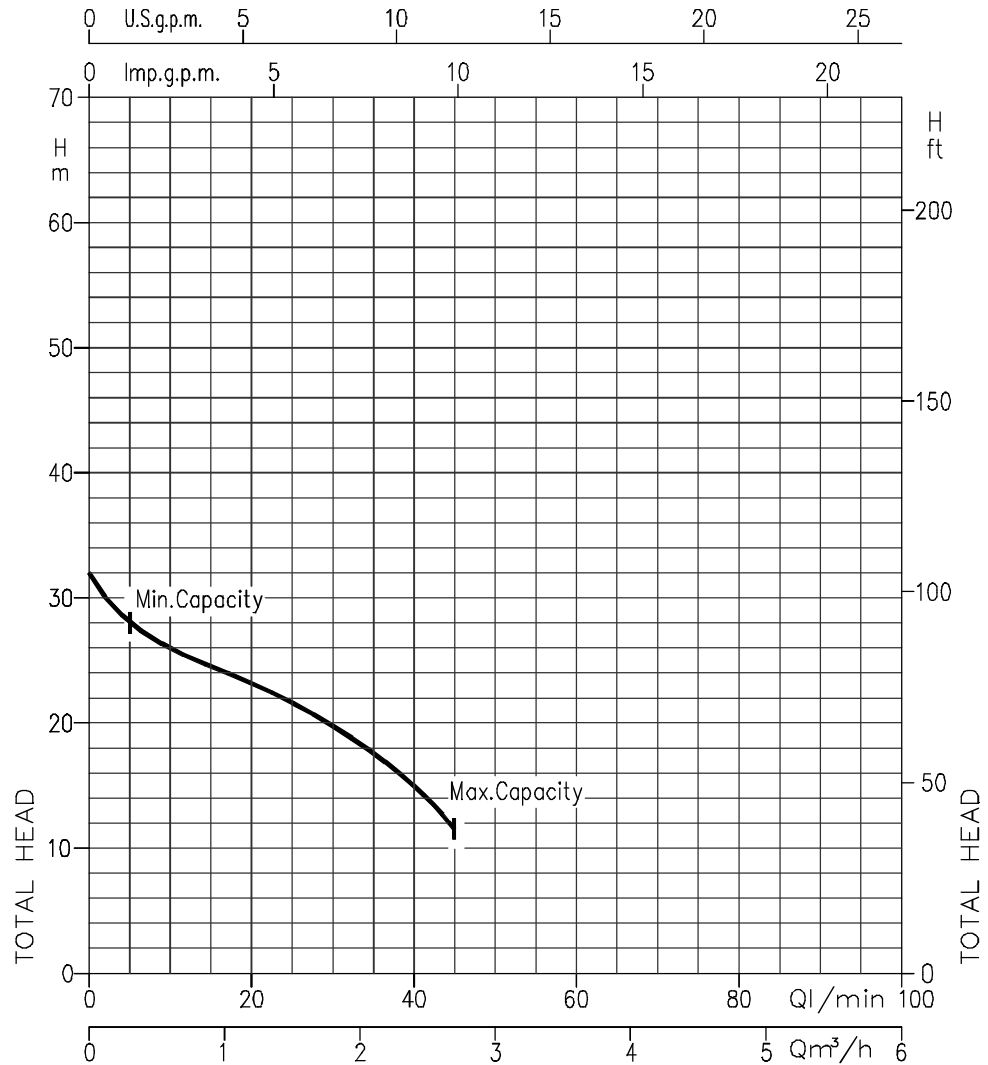
The continuous curves indicate the recommended working range. The dotted curve is only a guide.

In order to avoid the risk of over-heating, the pumps should not be used at a flow rate below 10% of best efficiency point.

Symbols explanation:

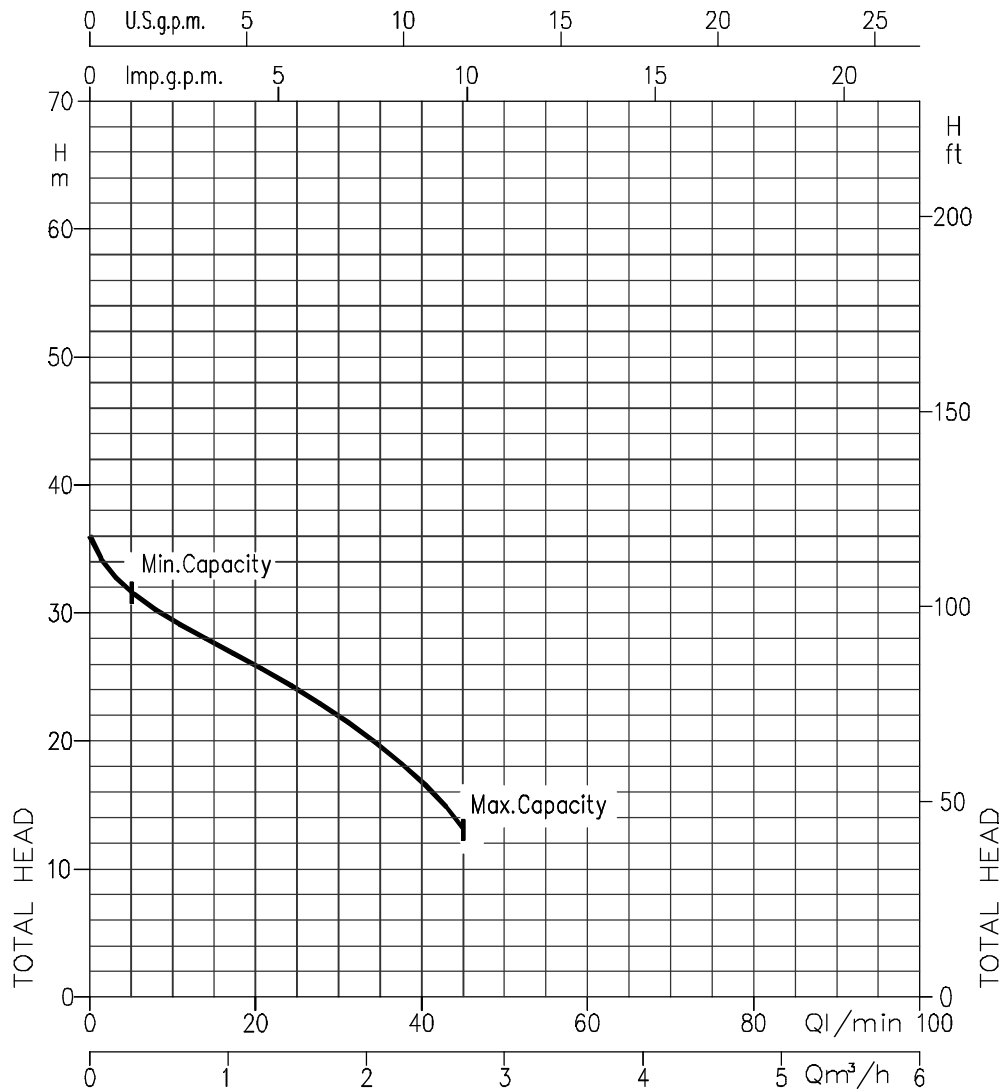
- Q = volume flow rate
- H = total head

JESX 5 (0.37 kW) - Impeller diameter = 104 mm



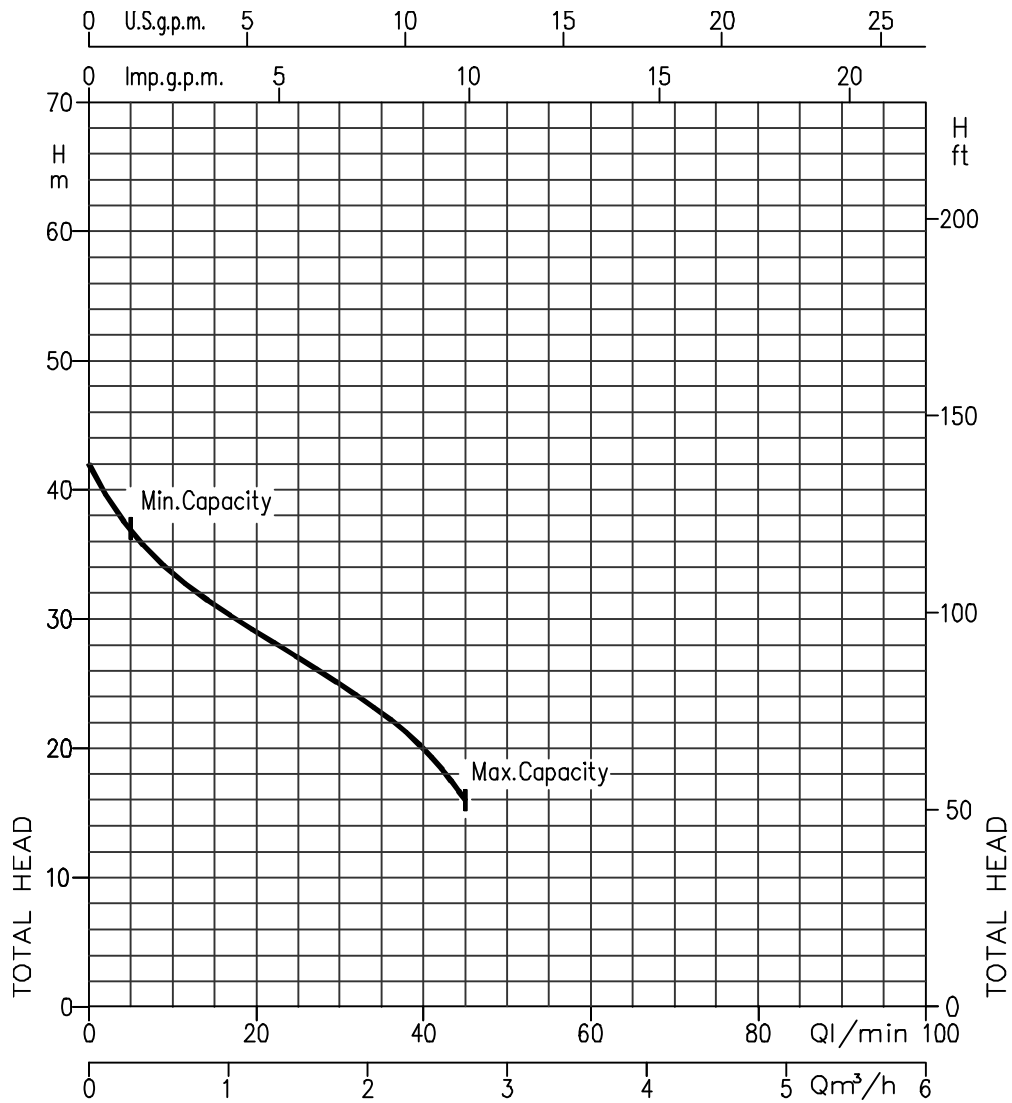
Rotation speed $\approx 2800 \text{ min}^{-1}$
 Test standard: ISO 9906:2012 – Grade 3B

JESX 6 (0.44 kW) - Impeller diameter = 104 mm



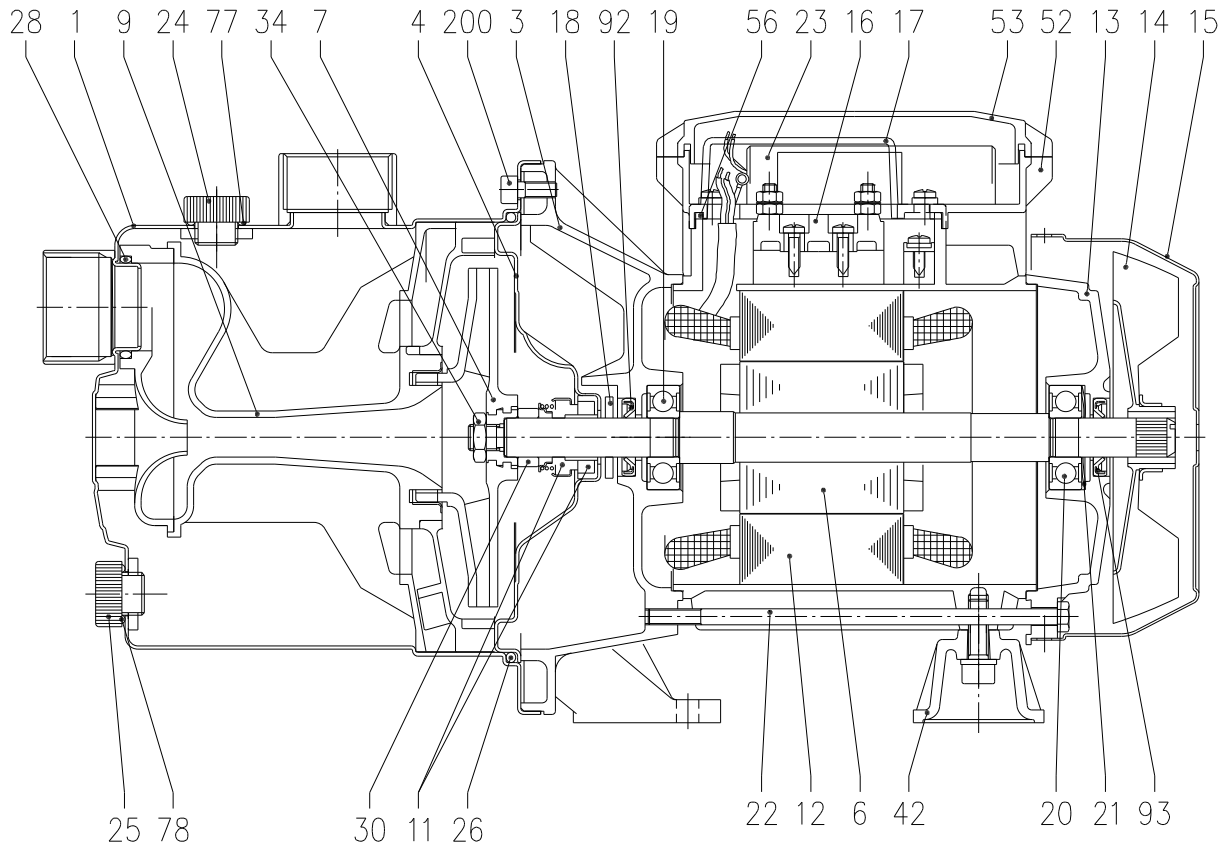
Rotation speed $\approx 2800 \text{ min}^{-1}$
Test standard: ISO 9906:2012 – Grade 3B

JESX 8 (0.6 kW) - Impeller diameter = 110 mm



Rotation speed $\approx 2800 \text{ min}^{-1}$
 Test standard: ISO 9906:2012 – Grade 3B

SECTIONAL VIEW



N°	PART NAME	MATERIAL	Q.TY
1	Casing	AISI 304	1
3	Motor bracket	Aluminium	1
4	Casing cover	AISI 304	1
6	Shaft with rotor	AISI 303 (Wet extension)	1
7	Impeller	PPE+PS glass fibre reinforced	1
9	Diffuser Venturi tube	PPE+PS glass fibre reinforced	1
11	Mechanical seal [4]	Carbon/Ceramic/NBR	1
12	Motor frame with stator	-	1
13	Motor cover	Aluminium	1
14	Fan	PA	1
15	Fan cover	Fe P04 Zincate	1
16	Terminal board	-	1
17	Terminal box cover [2]	Aluminium	1
18	Splash ring	NBR	1
19	Pump side ball bearing	-	1
20	Fan side ball bearing	-	1
21	Adjusting ring	Steel C70	1

N°	PART NAME	MATERIAL	Q.TY
22	Tie rod	Fe 42 Zincate	4
23	Capacitor [1]	-	1
24	Priming plug	PA	1
25	Drain plug	PA	1
26	O-ring	NBR	1
28	O-ring	NBR	1
30	Mechanical seal spacer	Brass	1
34	Impeller nut [2]	AISI 304	1
42	Motor support	Aluminium	1
52	Capacitor box [1]	ABS	1
53	Capacitor box cover with gasket [1]	ABS+NBR	1
56	Box gasket	NBR	1
77	O-ring	NBR	1
78	O-ring	NBR	1
92	Lip seal [3]	-	1
93	Lip seal [3]	-	1
200	Screw	Stainless steel A2 UNI7323	6

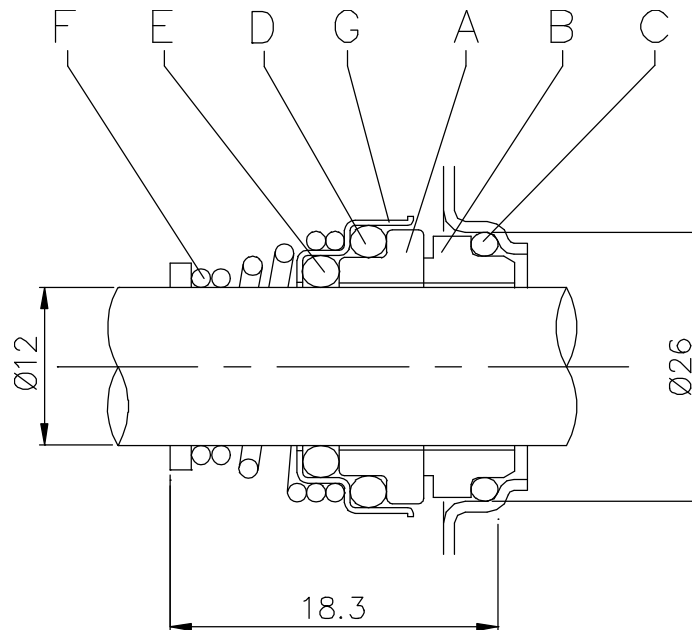
[1] Only for single phase

[2] Only for three phase

[3] Only for IP55

[4] See Mechanical Seal dimensions and materials at page 301

MECHANICAL SEAL

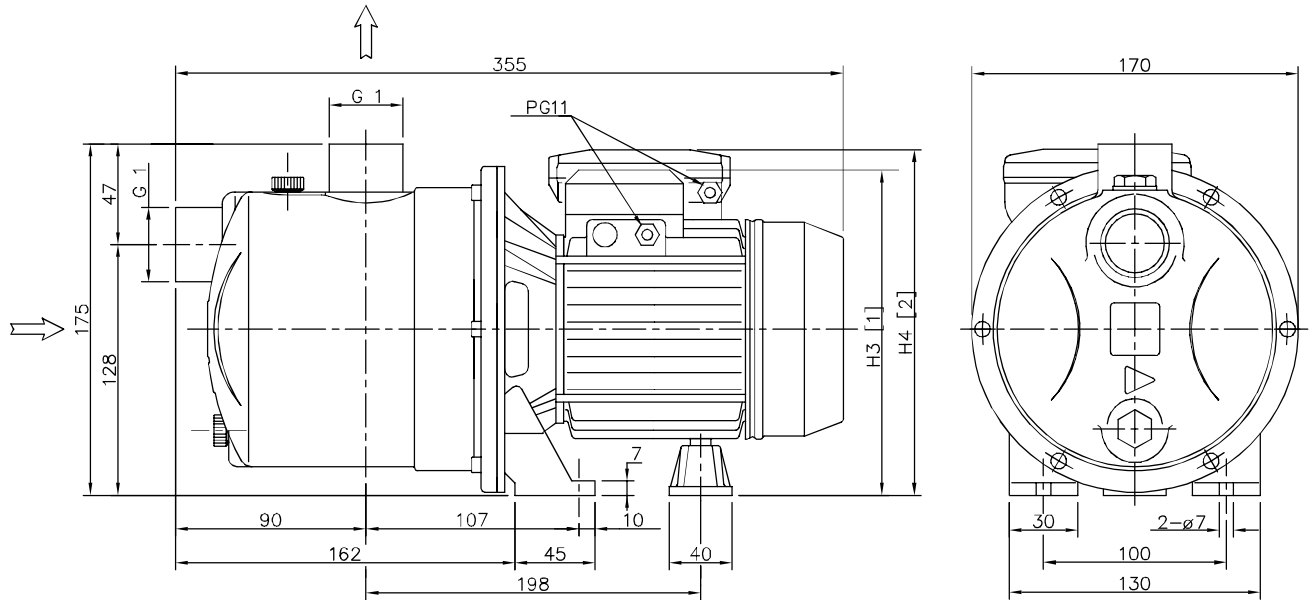


REF	PART NAME	MATERIAL
A	Rotary seal ring	Ceramic
B	Stationary seal ring	Carbon graphite
C	O Ring	NBR
D	O Ring	NBR
E	O Ring	NBR
F	Self driving spring	AISI 316
G	Frame	AISI 304

BEARNGS

Pump type		Ball Bearing	
Single Phase	Three Phase	Pump side	Fan side
JESXM 5	JESX 5	6201 2RSH	6201 2RSH
JESXM 6	JESX 6	6201 2RSH	6201 2RSH
JESXM 8	JESX 8	6201 2RSH	6201 2RSH

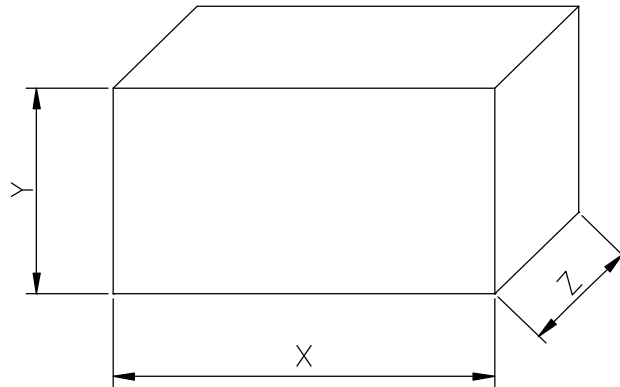
PUMP



Pump type	Dimensions [mm]	
	H3	H4
JESX		
5	175	200
6	175	200
8	175	200

[1] = Three phase
 [2] = Single phase

PACKING



Pump type		Packing [mm]			Weight [kgf]	
Single Phase	Three Phase	X	Y	Z	[1~]	[3~]
JESXM 5	JESX 5	182	220	372	5.1	5.1
JESXM 6	JESX 6	182	220	372	5.5	5.5
JESXM 8	JESX 8	182	220	372	6.1	6.1

[1~] Single phase
 [3~] Three phase

MOTOR DATA

Pump type		Power		Capacitor		Input [kW]		Full load current [A]			Locked rotor current [A]		
Single Phase	Three Phase	[kW]	[HP]	Single Phase [μF]	[V]	Single Phase	Three Phase	Single Phase 230 V	Three Phase 230 V	400 V	Single Phase 230 V	Three Phase 230 V	400 V
JESXM 5	JESX 5	0.37	0.5	10	450	0.44	0.43	2.1	1.5	0.85	6.3	6.4	3.7
JESXM 6	JESX 6	0.45	0.6	10	450	0.54	0.49	2.4	1.9	1.1	8.5	8.6	5.0
JESXM 8	JESX 8	0.6	0.8	12.5	450	0.63	0.58	3.0	2.25	1.3	10.6	10.7	6.2

NOISE DATA

Pump type		Power		L _{pA} - dB(A) *
Single Phase	Three Phase	[kW]	[HP]	
JESXM 5	JESX 5	0,37	0,5	<70
JESXM 6	JESX 6	0,45	0,6	
JESXM 8	JESX 8	0,6	0,8	

* Mean value of several measures at 1m distance around the pump.
Tolerance ± 2.5 dB.

If you use this pump on suction condition , it tends to breath the air from outside because the pressure in pump becomes vacuum condition when it stopped. So water in the pump sometimes fall down to breath the air from pipe connection. If it is used to operate continuously under this condition, this is the cause of breakdown to overheat inside the pump.



So please install foot valve or check valve at suction pipe in order to prevent the pump from such a condition. And moreover will you please support the suction pipe and the delivery one to prevent the pump from leaning the weight of pipe.

