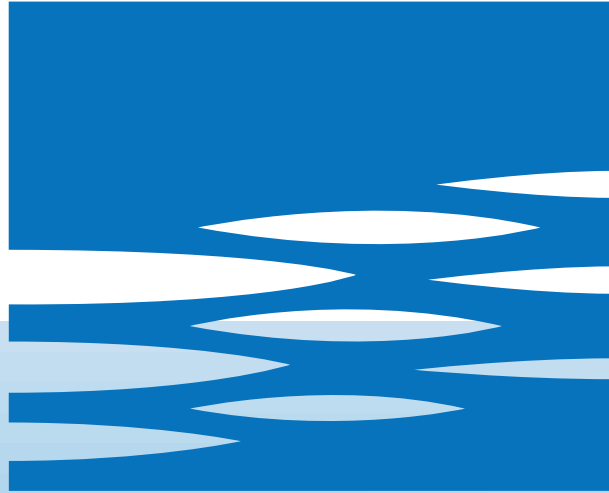


**PUMP**  **TECH**



**EBARA**

**CONTENTS**

50 Hz

Rev. E

|   | <b>Page</b> |
|---|-------------|
| <b>- SPECIFICATIONS</b>                                     | <b>200</b>  |
| DS SPECIFICATIONS   | 200         |
| DSF SPECIFICATIONS  | 201         |
| DVS SPECIFICATIONS  | 202         |
| DL SPECIFICATIONS   | 203         |
| DL W/C SPECIFICATIONS                                       | 204         |
| DML SPECIFICATIONS  | 205         |
| DMLF SPECIFICATIONS   | 206         |
| DMLV SPECIFICATIONS   | 207         |
| DMLVF SPECIFICATIONS  | 208         |
| DRS SPECIFICATIONS (40DRS)                                  | 209         |
| DRS SPECIFICATIONS (65DRS)                                  | 210         |
| DRD SPECIFICATIONS (65-80DRD)                               | 211         |
| DRD SPECIFICATIONS (100DRD)                                 | 212         |
| DRD SPECIFICATIONS (150DRD)                                 | 213         |
| DRD SPECIFICATIONS (200DRD)                                 | 214         |
| DRD SPECIFICATIONS (250DRD)                                 | 215         |
| DRD SPECIFICATIONS (300DRD)                                 | 216         |
| DRD SPECIFICATIONS (350DRD)                                 | 217         |
| SELECTION CHART DS-DSF                                      | 218         |
| SELECTION CHART DVS   | 219         |
| SELECTION CHART 65DL, 80DL                                  | 220         |
| SELECTION CHART 100DL                                       | 221         |
| SELECTION CHART 150DL                                       | 222         |
| SELECTION CHART 200DL                                       | 223         |
| SELECTION CHART 250DL                                       | 224         |
| SELECTION CHART 300DL                                       | 225         |
| SELECTION CHART DL W/C                                      | 226         |
| SELECTION CHART 80DML                                       | 227         |
| SELECTION CHART 100DML                                      | 228         |
| SELECTION CHART 150DML                                      | 229         |
| SELECTION CHART 50-65DMLF                                   | 230         |
| SELECTION CHART 40-50-65 DMLVF                              | 231         |
| SELECTION CHART 80 DMLV – 80 DMLVF                          | 232         |
| SELECTION CHART 100 DMLV - 100DMLVF                         | 233         |
| SELECTION CHART 40 DRSA (M)                                 | 234         |
| SELECTION CHART 40 DRSA                                     | 234/1       |
| SELECTION CHART 65 DRSA                                     | 235         |
| SELECTION CHART 65-80 DRD                                   | 236         |
| SELECTION CHART 100 DRD                                     | 237         |
| SELECTION CHART 150 DRD                                     | 238         |
| SELECTION CHART 200 DRD                                     | 239         |
| SELECTION CHART 250 DRD                                     | 240         |
| SELECTION CHART 300 DRD                                     | 241         |
| SELECTION CHART 350 DRD                                     | 242         |
| TYPE KEY AND CURVE SPECIFICATIONS                           | 243         |
| PERFORMANCE CURVE 50DS(51.5, 52.2, 53.7)                    | 244         |
| PERFORMANCE CURVE 65DS51.5                                  | 245         |
| PERFORMANCE CURVE 80DS(52.2, 53.7)                          | 246         |
| PERFORMANCE CURVE 100DS(55.5, 57.5)                         | 247         |
| PERFORMANCE CURVE 40DSF51.5M2CG; 40DSF51.9M2AG; 40DSF56T2AG | 248         |
| PERFORMANCE CURVE 50DVS51.5                                 | 249         |

**100**

**CONTENTS**

50 Hz

Rev. E

|  |       |
|--|-------|
| PERFORMANCE CURVE (80)65DVS(51.5, 52.2, 53.7)                                  | 250   |
| PERFORMANCE CURVE 65DL51.5   | 251   |
| PERFORMANCE CURVE 80DL(51.5, 52.2, 53.7), 80DLC(55.5, 57.5)                    | 252   |
| PERFORMANCE CURVE 100DL53.7, 100DLB(55.5, 57.5), 100DL(511, 515, 518.5)        | 253   |
| PERFORMANCE CURVE 100DLC(55.5, 57.5)   | 254   |
| PERFORMANCE CURVE 150DL(55.5, 57.5, 511, 515, 518.5, 522)                      | 255   |
| PERFORMANCE CURVE 150DL(530, 537, 545)   | 255/1 |
| PERFORMANCE CURVE 200DL(55.5, 57.5, 511, 515, 518.5, 522)                      | 256   |
| PERFORMANCE CURVE 200DL(530, 537, 545)   | 256/1 |
| PERFORMANCE CURVE 250DL(57.5, 511, 515, 518.5, 522)                            | 257   |
| PERFORMANCE CURVE 250DL(530, 537, 545)   | 257/1 |
| PERFORMANCE CURVE 300DL(511, 515, 518.5, 522)                                  | 258   |
| PERFORMANCE CURVE 300DL(530, 537, 545)   | 258/1 |
| PERFORMANCE CURVE 65DL51.5W/C  | 259   |
| PERFORMANCE CURVE 80DL(51.5, 52.2, 53.7)W/C                                    | 260   |
| PERFORMANCE CURVE 100DL53.7W/C, 100DLB(55.5, 57.5)W/C                          | 261   |
| PERFORMANCE CURVE 80DML52.2  | 262   |
| PERFORMANCE CURVE 80DML53.7  | 26/1  |
| PERFORMANCE CURVE 100DML53.7   | 263   |
| PERFORMANCE CURVE 100DML55.5   | 263/1 |
| PERFORMANCE CURVE 100DML57.5   | 263/2 |
| PERFORMANCE CURVE 100DML511  | 263/3 |
| PERFORMANCE CURVE 100DML515  | 263/4 |
| PERFORMANCE CURVE 100DML522  | 263/5 |
| PERFORMANCE CURVE 150DML55.5   | 264   |
| PERFORMANCE CURVE 150DML57.5   | 264/1 |
| PERFORMANCE CURVE 150DML511  | 264/2 |
| PERFORMANCE CURVE 150DML515  | 264/3 |
| PERFORMANCE CURVE 150DML522  | 264/4 |
| PERFORMANCE CURVE 50DMLF51.4M2BG   | 265   |
| PERFORMANCE CURVE 65DMLF51.5M2AG; 65DMLF51.9M2BG                               | 266   |
| PERFORMANCE CURVE 80DMLV52.2   | 267   |
| PERFORMANCE CURVE 80DMLV53.7   | 267/1 |
| PERFORMANCE CURVE 100DMLV55.5  | 268   |
| PERFORMANCE CURVE 100DMLV57.5  | 268/1 |
| PERFORMANCE CURVE 100DMLV511   | 268/2 |
| PERFORMANCE CURVE 100DMLV515   | 268/3 |
| PERFORMANCE CURVE 100DMLV522   | 268/4 |
| PERFORMANCE CURVE 40DMLVF50.5M2AG  | 269   |
| PERFORMANCE CURVE 50DMLVF51.5M2CG; 50DMLVF51.5M2BG; 50DMLVF51.9M2AG            | 270   |
| PERFORMANCE CURVE 65DMLVF51.5M2CG  | 271   |
| PERFORMANCE CURVE 80DMLVF54.9T4AG  | 272   |
| PERFORMANCE CURVE 80DMLVF516.6T2BG; 80DMLVF518.2T2DG                           | 272/1 |
| PERFORMANCE CURVE 100DMLVF55.2T6BG   | 273   |
| PERFORMANCE CURVE 40DRS51.1M2CG; 40DRS51.1M2BG; 40DRS51.1M2AG                  | 274   |
| PERFORMANCE CURVE 40DRS51.2M2CG; 40DRS51.5M2BG; 40DRS51.9M2AG                  | 274/1 |
| PERFORMANCE CURVE 40DRS51.1T2CG; 40DRS51.1T2BG                                 | 274/2 |
| PERFORMANCE CURVE 40DRS51.4T2AG; 40DRS51.6T2CG; 40DRS51.6T2BG                  | 274/3 |
| PERFORMANCE CURVE 40DRS52.4T2AG; 40DRS53.1T2BG; 40DRS53.1T2AG                  | 274/4 |
| PERFORMANCE CURVE 40DRS54.2T2CG; 40DRS55T2BG; 40DRS55T2AG                      | 274/5 |
| PERFORMANCE CURVE 65DRS57.5T2BG; 65DRS56.5T2CG                                 | 275   |
| PERFORMANCE CURVE 65DRS59T2DG; 65DRS511T2CG; 65DRS513.8T2BG; 65DRS513.8T2AG    | 275/1 |
| PERFORMANCE CURVE 65DRS514.9T2GG; 65DRS520T2BG; 65DRS522.4T2AG; 65DRS525.1T2AG | 275/2 |

**CONTENTS**

50 Hz

Rev. E

|  |            |
|--|------------|
| PERFORMANCE CURVE 65DRD53.1T2CG; 65DRD53.6T2BG   | 275/3      |
| PERFORMANCE CURVE 80DRD55T2BG; 80DRD56T2AG; 80DRD57.5T2AG  | 276        |
| PERFORMANCE CURVE 100DRD52.7T6AG; 100DRD52.8T6AG   | 277        |
| PERFORMANCE CURVE 100DRD54.6T4CG; 100DRD54.6T4BG   | 277/1      |
| PERFORMANCE CURVE 100DRD57.1T4BG; 100DRD57.5T4FG; 100DRD510T4FG; 100DRD510T4AG   | 277/2      |
| PERFORMANCE CURVE 100DRD512T2DG; 100DRD514.9T2CG; 100DRD516.6T2BG  | 277/3      |
| PERFORMANCE CURVE 100DRD518.2T2AG; 100DRD520T2AG   | 277/4      |
| PERFORMANCE CURVE 150DRD540.2T2BG; 150DRD552T2CG   | 278        |
| PERFORMANCE CURVE 150DRD56T6CG; 150DRD58T6BG; 150DRD512T6AG; 150DRD514T6BG   | 278/1      |
| PERFORMANCE CURVE 150DRD523T4CG; 150DRD527T4BG; 150DRD527T4AG  | 278/2      |
| PERFORMANCE CURVE 150DRD530T4BG; 150DRD530.1T4BG   | 278/3      |
| PERFORMANCE CURVE 150DRD535T2AG  | 278/4      |
| PERFORMANCE CURVE 150DRD535.7T4EG; 150DRD535.7T4AG; 150DRD541T4AG  | 278/5      |
| PERFORMANCE CURVE 150DRD560T4GG; 150DRD575T4CG; 150DRD580T4BG; 150DRD580T4AG   | 278/6      |
| PERFORMANCE CURVE 200DRD56T8AG; 200DRD56.2T8CG; 200DRD58T8AG   | 279        |
| PERFORMANCE CURVE 200DRD59.3T8CG; 200DRD59.3T8BG   | 279/1      |
| PERFORMANCE CURVE 200DRD59.8T6CG; 200DRD514T6BG; 200DRD514T6AG   | 279/2      |
| PERFORMANCE CURVE 200DRD515.8T6CG; 200DRD518.9T6BG; 200DRD523T6AG  | 279/3      |
| PERFORMANCE CURVE 200DRD540T4CG; 200DRD544T4BG; 200DRD548T4AG  | 279/4      |
| PERFORMANCE CURVE 250DRD512.4T8DG; 250DRD517.1T8CG; 250DRD519T8AG  | 280        |
| PERFORMANCE CURVE 250DRD515T4AG  | 280/1      |
| PERFORMANCE CURVE 250DRD523T6DG; 250DRD529T6CG; 250DRD539.2T6BG;<br>250DRD539.2T6AG  | 280/2      |
| PERFORMANCE CURVE 250DRD565T4DG; 250DRD575T4CG; 250DRD575T4BG; 250DRD585T4AG   | 280/3      |
| PERFORMANCE CURVE 300DRD521.8T8BG; 300DRD526.7T8CG   | 281        |
| PERFORMANCE CURVE 300DRD533.4T6DG; 300DRD539.2T6CG; 300DRD555.8T6BG;<br>300DRD565T6AG  | 281/1      |
| PERFORMANCE CURVE 350DRD540T8CG; 350DRD545T8AG   | 282        |
| <b>- CONSTRUCTIONS</b>   | <b>300</b> |
| SECTIONAL VIEW 50DS (1.5 kW)   | 300        |
| SECTIONAL VIEW 65DS (1.5 kW)   | 301        |
| SECTIONAL VIEW 50(80)DS (2.2, 3.7 kW), 100DS (5.5, 7.5 kW)   | 302        |
| SECTIONAL VIEW 40DSF (1.5÷1.9 kW)  | 303        |
| SECTIONAL VIEW 40DSF (6.0 kW)  | 303/1      |
| SECTIONAL VIEW 50DVS (1.5 kW)  | 304        |
| SECTIONAL VIEW 65(80)DVS (1.5 kW)  | 305        |
| SECTIONAL VIEW 65(80)DVS (2.2, 3.7 kW)   | 305/1      |
| SECTIONAL VIEW 65DL (1.5 kW), 80DL (1.5÷3.7 kW), 100DL (3.7 kW),<br>SECTIONAL VIEW 80DL (5.5÷7.5 kW), 100DL (5.5÷18.5 kW), 150DL (5.5÷45 kW),<br>200DL (5.5÷45 kW), 250DL (7.5÷45 kW), 300DL (11÷45 kW), | 307        |
| SECTIONAL VIEW 150DL (30÷45 kW), 200DL (30÷45 kW), 250DL (30÷45 kW), 300DL (30÷45 kW)  | 308        |
| SECTIONAL VIEW 80DML (2.2 kW)  | 309        |
| SECTIONAL VIEW 80DML (3.7 kW), 100DML, 150DML (3.7÷7.5 kW)   | 309/1      |
| SECTIONAL VIEW 100DML, 150DML (3.7÷7.5 kW)   | 310        |
| SECTIONAL VIEW 50DMLF (1.4 kW)   | 311        |
| SECTIONAL VIEW 65DMLF (1.5 kW)   | 312        |
| SECTIONAL VIEW 65DMLF (1.9 kW)   | 312/1      |
| SECTIONAL VIEW 80DMLV (2.2 kW)   | 313        |
| SECTIONAL VIEW 80DMLV (3.7 kW), 100DMLV (3.7÷5.5 kW)   | 313/1      |
| SECTIONAL VIEW 100DMLV (11÷22 kW)  | 314        |
| SECTIONAL VIEW 40DMLVF (0.5 kW)  | 315        |
| SECTIONAL VIEW 50DMLVF (1.5÷.9 kW)   | 316        |

**102**

**CONTENTS**

50 Hz

Rev. E

|   |            |
|---|------------|
| SECTIONAL VIEW 65DMLVF (1.5 kW)                               | 317        |
| SECTIONAL VIEW 80DMLVF (4.9 kW)                               | 318        |
| SECTIONAL VIEW 80DMLVF (16.6 kW)                              | 318/1      |
| SECTIONAL VIEW 80DMLVF (18.2 kW)                              | 318/2      |
| SECTIONAL VIEW 100DMLVF (5.2 kW)                              | 319        |
| SECTIONAL VIEW 40DRS (1.1÷5.0 kW)                             | 320        |
| SECTIONAL VIEW 65DRS (6.5÷25.1 kW)                            | 321        |
| SECTIONAL VIEW 65DRD (3.1÷3.6 kW)                             | 322        |
| SECTIONAL VIEW 80DRS (5.0÷7.5 kW)                             | 323        |
| SECTIONAL VIEW 100DRD (2.7÷20.0 kW)                           | 324        |
| SECTIONAL VIEW 150DRD (6.0÷80.0 kW)                           | 325        |
| SECTIONAL VIEW 200DRD (6.0÷48.0 kW)                           | 326        |
| SECTIONAL VIEW 250DRD (12.4÷85.0 kW)                          | 327        |
| SECTIONAL VIEW 300DRD (21.8÷65.0 kW)                          | 328        |
| SECTIONAL VIEW 350DRD (40.0÷45.0 kW)                          | 329        |
| SECTIONAL VIEW QDC LS50                                       | 330        |
| SECTIONAL VIEW QDC LM50, LM65, LM80                           | 332        |
| SECTIONAL VIEW QDC LL80, LL100                                | 333        |
| SECTIONAL VIEW QDC LL125, LL150                               | 334        |
| SECTIONAL VIEW QDC LL250, 300                                 | 335        |
| MECHANICAL SEALS TYPE A(20÷45), EAN(30÷45)                    | 336        |
| MECHANICAL SEALS TYPE EAN-60                                  | 337        |
| MECHANICAL SEALS TYPE IEC 63 – IEC 72-71                      | 338        |
| MECHANICAL SEALS TYPE IEC 90-100-112-132 AND GM17-18-19-30-37 | 339        |
| MECHANICAL SEALS TYPE IEC 160-180-200-250                     | 340        |
| MECHANICAL SEALS & BALL BEARINGS TABLE                        | 341        |
| <b>- DIMENSIONS AND WEIGHT</b>                                | <b>400</b> |
| DIMENSIONS 50DS   | 400        |
| DIMENSIONS DS WITH QDC (1.5÷3.7 kW)                           | 401        |
| DIMENSIONS DS WITH QDC (5.5÷7.5 kW)                           | 401/1      |
| DIMENSIONS 40DSF/40DSF WITH QDC (1.5÷1.9 kW)                  | 402        |
| DIMENSIONS 40DSF/40DSF WITH QDC (6.0 kW)                      | 404        |
| DIMENSIONS DVS  | 406        |
| DIMENSIONS DVS WITH QDC                                       | 407        |
| DIMENSIONS DL   | 408        |
| DIMENSIONS 65DL, 80DL (1.5÷3.7 kW) WITH QDC                   | 409        |
| DIMENSIONS 80DL (5.5÷7.5), 100DL WITH QDC                     | 410        |
| DIMENSIONS 150DL, 200DL WITH QDC                              | 411        |
| DIMENSIONS 250DL, 300DL WITH QDC                              | 412        |
| DIMENSIONS DL W/C   | 413        |
| DIMENSIONS 65DL W/C, 80DL W/C (1.5÷3.7 kW) WITH QDC           | 414        |
| DIMENSIONS 100DL W/C WITH QDC                                 | 415        |
| DIMENSIONS DML  | 416        |
| DIMENSIONS 80DML, 100DML (3.7÷5.5 kW) WITH QDC                | 417        |
| DIMENSIONS 100DML, 150DML WITH QDC                            | 418        |
| DIMENSIONS 50DMLF/50DMLF WITH QDC (1.4 kW)                    | 419        |
| DIMENSIONS 65DMLF/65DMLF WITH QDC (1.5÷1.9 kW)                | 421        |
| DIMENSIONS DMLV   | 423        |
| DIMENSIONS 80DMLV WITH QDC                                    | 424        |
| DIMENSIONS 100DMLV WITH QDC                                   | 425        |
| DIMENSIONS 40DMLVF (0.5 kW)                                   | 426        |
| DIMENSIONS 50DMLVF/50DMLVF WITH QDC (1.5÷1.9 kW)              | 427        |

**103**

## CONTENTS

50 Hz

Rev. E

|  |            |
|--|------------|
| DIMENSIONS 65DMLVF/65DMLVF WITH QDC (1.5 kW)     | 429        |
| DIMENSIONS 80DMLVF/80DMLVF WITH QDC (4.9 kW)     | 431        |
| DIMENSIONS 80DMLVF/80DMLVF WITH QDC (16.6 kW)    | 433        |
| DIMENSIONS 80 DMLVF/80DMLVF WITH QDC (18.2 kW)   | 435        |
| DIMENSIONS 100 DMLVF/100DMLVF WITH QDC (5.2 kW)  | 437        |
| DIMENSIONS 40DRS/40DRS WITH QDC (1.1 kW)         | 439        |
| DIMENSIONS 40DRS/40DRS WITH QDC (1.1÷1.9 kW)     | 440        |
| DIMENSIONS 40DRS/40DRS WITH QDC (1.1÷1.4 kW)     | 441        |
| DIMENSIONS 40DRS/40DRS WITH QDC (1.6÷2.4 kW)     | 442        |
| DIMENSIONS 40DRS/40DRS WITH QDC (3.1 kW)         | 443        |
| DIMENSIONS 40DRS/40DRS WITH QDC (4.2÷5.0 kW)     | 444        |
| DIMENSIONS 65DRS/65DRS WITH QDC (6.5÷7.5 kW)     | 445        |
| DIMENSIONS 65DRS/65DRS WITH QDC (9.0 ÷14.9 kW)   | 446        |
| DIMENSIONS 65DRS/65DRS WITH QDC (20.0÷25.1 kW)   | 447        |
| DIMENSIONS 65DRD/65DRD WITH QDC (3.1÷3.6 kW)     | 448        |
| DIMENSIONS 80DRD/80DRD WITH QDC (5.0÷6.0 kW)     | 449        |
| DIMENSIONS 80DRD/80DRD WITH QDC (7.5 kW)         | 450        |
| DIMENSIONS 100DRD/100DRD WITH QDC (2.7 kW)       | 451        |
| DIMENSIONS 100DRD/100DRD WITH QDC (2.8÷4.6 kW)   | 452        |
| DIMENSIONS 100DRD/100DRD WITH QDC (7.1÷7.5 kW)   | 453        |
| DIMENSIONS 100DRD/100DRD WITH QDC (10.0 kW)      | 454        |
| DIMENSIONS 100DRD/100DRD WITH QDC (12.0÷18.2 kW) | 455        |
| DIMENSIONS 100DRD/100DRD WITH QDC (20.0 kW)      | 456        |
| DIMENSIONS 150DRD/150DRD WITH QDC (6.0 kW)       | 457        |
| DIMENSIONS 150DRD/150DRD WITH QDC (8.0 kW)       | 458        |
| DIMENSIONS 150DRD/150DRD WITH QDC (12.0÷14.0 kW) | 459        |
| DIMENSIONS 150DRD/150DRD WITH QDC (23.0÷27.0 kW) | 460        |
| DIMENSIONS 150DRD/150DRD WITH QDC (30.0÷41.0 kW) | 461        |
| DIMENSIONS 150DRD/150DRD WITH QDC (35.0÷52.0 kW) | 462        |
| DIMENSIONS 150DRD/150DRD WITH QDC (60 kW)        | 463        |
| DIMENSIONS 150DRD/150DRD WITH QDC (75.0÷80.0 kW) | 464        |
| DIMENSIONS 200DRD/200DRD WITH QDC (6.0÷23.0 kW)  | 465        |
| DIMENSIONS 200DRD/200DRD WITH QDC (6.2÷9.8 kW)   | 466        |
| DIMENSIONS 200DRD/200DRD WITH QDC (14.0 kW)      | 467        |
| DIMENSIONS 200DRD/200DRD WITH QDC (40.0÷48.0 kW) | 468        |
| DIMENSIONS 250DRD/250DRD WITH QDC (12.4÷23.0 kW) | 469        |
| DIMENSIONS 250DRD/250DRD WITH QDC (19.0÷29.0 kW) | 470        |
| DIMENSIONS 250DRD/250DRD WITH QDC (15.0 kW)      | 471        |
| DIMENSIONS 250DRD/250DRD WITH QDC (39.2 kW)      | 472        |
| DIMENSIONS 250DRD/250DRD WITH QDC (65.0÷85.0 kW) | 473        |
| DIMENSIONS 300DRD/300DRD WITH QDC (21.8÷39.2 kW) | 474        |
| DIMENSIONS 300DRD/300DRD WITH QDC (55.8÷65.0 kW) | 475        |
| DIMENSIONS 350DRD/350DRD WITH QDC (40.0÷45.0 kW) | 476        |
| <b>- TECHNICAL DATA</b>                          | <b>500</b> |
| MOTOR DATA DS, DVS (1.5÷3.7 kW)                  | 500        |
| MOTOR DATA DS (5.5÷7.5 kW)                       | 501        |
| MOTOR DATA DSF (1.5÷6.0 kW)                      | 502        |
| MOTOR DATA DL, DL W/C (1.5÷3.7 kW)               | 503        |
| MOTOR DATA DL (5.5÷11 kW), DL W/C (5.5÷7.5 kW)   | 504        |
| MOTOR DATA DL (15÷22 kW)                         | 505        |
| MOTOR DATA DL (30÷45 kW)                         | 505/1      |
| MOTOR DATA DML, DMLV (2.2÷3.7 kW)                | 506        |

104

**CONTENTS**

50 Hz

|   |            |
|---|------------|
|   | Rev. E     |
| MOTOR DATA DML, DMLV (5.5÷11 kW)              | 506/1      |
| MOTOR DATA DML, DMLV (15÷22 kW)               | 506/2      |
| MOTOR DATA DMLF (1.4÷1.9 kW)                  | 507        |
| MOTOR DATA DMLVF (0.5÷18.2 kW)                | 508        |
| MOTOR DATA DRS (1.1÷25.1 kW)                  | 509        |
| MOTOR DATA DRD (3.1÷14.0 kW)                  | 510        |
| MOTOR DATA DRD (14.0÷85.0 kW)                 | 511        |
| <b>- ACCESSORIES</b>                          | <b>600</b> |
| QDC SELECTION TABLE                           | 600        |
| QDC, ELBOW, TRIPOD AND FLANGE SELECTION TABLE | 601        |

**SPECIFICATION: DS (Sump Pump)**

50 Hz

Rev. E

| <b>DS</b>                   |                                     |   |  |                |
|-----------------------------|-------------------------------------|---|--|----------------|
| <b>PUMP</b>                 | Liquid Handled                      | Type of liquid  | Dirty water  |                |
|                             |                                     | Max Temp. [°C]  | 40°  |                |
|                             |                                     | Max solids size [mm]  | 5  | (50DS)         |
|                             |                                     |   | 6  | (65DS)         |
|                             |                                     |   | 7  | (80DS)         |
|                             | 8                                   | (100DS)   |  |                |
|                             | Max fibers length [mm]              | 50  |  |                |
|                             | Submergence                         | Max [m]   | 3 (1.5 kW)   | 7 (2.2÷7.5 kW) |
|                             |                                     | Min [m]   | Refer to low water level (L.W.L.) and usage restriction in dimension             |                |
|                             | Construction                        | Impeller  | Semi - open (with strainer)  |                |
|                             |                                     | Shaft seal type   | Oil lubricated, single spring double mechanical seal                             |                |
|                             | Connection                          | Suction   | Strainer   |                |
|                             |                                     | Discharge [inch]<br>[mm]  | G1½ UNI ISO 228 (50DS 1.5 kW)<br>DN 50, 65, 80, 100 PN 10 according to EN 1092-2 |                |
|                             | Materials                           | Casing  | Cast iron  |                |
|                             |                                     | Impeller  | Cast iron  |                |
|                             |                                     | Suction Cover   | Stainless Steel (1.5 kW)   |                |
| Cast iron (2.2÷7.5 kW)      |                                     |   |  |                |
| Shaft                       |                                     | Aisi 403  |  |                |
| Motor frame                 |                                     | Cast iron   |  |                |
| Fasteners                   | Aisi 304                            |   |  |                |
| Accessories                 | Standard                            | SiC/SiC/NBR Impeller side   |  |                |
|                             |                                     | Carbon/Ceramic/NBR Motor side                                       |  |                |
|                             | Optional                            | Lubricant: Turbine Oil VG32 (SAE 10W/20W)                           |  |                |
| Applicable standard of test | Standard                            | Screwed flange oval type (1.5 kW).<br>Discharge elbow (2.2÷7.5 kW). |  |                |
|                             | Optional                            | Quick Discharge Connector (QDC): LS, LM, LL type                    |  |                |
|                             |                                     |   | ISO 9906 Annex A   |                |
| <b>MOTOR</b>                | Type                                |   | Three Phase air filled dry submersible   |                |
|                             | No. of Poles                        |   | 2  |                |
|                             | Rotation speed [min <sup>-1</sup> ] | ~ 2850  |  |                |
|                             | Insulation Class                    |   | F  |                |
|                             | Protection degree                   |   | IP 68  |                |
|                             | Power Rating [kW]                   | 1.5 ÷ 7.5   |  |                |
|                             | Frequency [Hz]                      | 50 ±1%  |  |                |
|                             | Voltage [V]                         | 380-415 ±10%  |  |                |
|                             | Starting                            |   | DOL  |                |
|                             | Over load protection                |   | Built in   |                |
|                             | Cable                               | material  | H07RN-F  |                |
|                             |                                     | length [m]  | 6 (up to 1.5 kW), 10 (2.2 kW and above)  |                |
| Bearings                    |                                     | Permanently lubricated sealed ball bearings                         |  |                |



**SPECIFICATION: DSF (Sump Pump)**

**50 Hz**

Rev. E

| DSF                         |   |  |  |  |
|-----------------------------|---|--|--|--|
| <b>PUMP</b>                 | Liquid Handled                          | Type of liquid   | Dirty water  |  |
|                             |   | Max Temp. [°C]   | < 40°  |  |
|                             |   | Max solids size [mm]   | 6<br>7 40DSF56T2AG   |  |
|                             | Submergence                             | Max [m]  | 20   |  |
|                             |   | Min [m]  | Refer to low water level (L.W.L.) and usage restriction in dimension |  |
|                             | Construction                            | Impeller   | Drainage   |  |
|                             |   | Shaft seal type  | Oil lubricated, single spring single mechanical seal + Lip Seal      |  |
|                             | Connection                              | Suction  | -  |  |
|                             |   | Discharge [mm]<br>(*According to EN 1092-2)  | DN40*  |  |
|                             | Materials                               | Casing   | Cast iron EN-GJL-250   |  |
|                             |   | Impeller   | Cast-iron GS400  |  |
|                             |   | Suction Cover  | Cast iron EN-GJL-250   |  |
| Shaft                       |   | Stainless Steel AISI 420B/431  |  |  |
| Motor frame                 |   | Cast iron EN-GJL-250   |  |  |
| Fasteners                   |   | A2 class - AISI 304  |  |  |
|                             | Mechanical seal                         | SiC Impeller side<br>NBR Motor side<br>Nitrile O-rings and lip seal<br>Lubricant: AGIP ITE 360   |  |  |
| Accessories                 | Optional                                | Screwed flange square type (up to DN 40 discharge)<br>Discharge threaded elbow (up to DN 40 discharge)<br>Quick Discharge Connector (QDC): PA type |  |  |
| Applicable standard of test |   | ISO 9906 Annex A   |  |  |
| <b>MOTOR</b>                | Type                                    | Single Phase   | Three Phase  |  |
|                             | Dry motor, cooled by surrounding liquid |  |  |  |
|                             | No. of Poles                            | 2  |  |  |
|                             | Rotation speed [min <sup>-1</sup> ]     | 2850   |  |  |
|                             | Insulation Class                        | H  |  |  |
|                             | Protection degree                       | IP 68  |  |  |
|                             | Power Rating [kW]                       | 1.5 ÷ 1.9  | 6.0  |  |
|                             | Frequency [Hz]                          | 50   | -5/+3 %  |  |
|                             | Voltage [V]                             | 230 ±10%   | 400/690 ±10%   |  |
|                             | Starting                                | DOL  | DOL - Y/Δ  |  |
|                             | Over load protection                    | Yes  | Yes  |  |
|                             | Humidity probe                          | -  | Yes  |  |
|                             | Floating switch                         | Yes  | -  |  |
|                             | Cable                                   | material   | H07RN-F  |  |
|                             |   | length [m]   | 10   |  |
|                             | size [mm <sup>2</sup> ]                 | 3G1.5  | 12G1.5   |  |
| Bearings                    |   | Life lubricated, maintenance free  |  |  |

**SPECIFICATION: DVS (Semi-Vortex Pump)**

**50 Hz**

Rev. E

| <b>DVS</b>                  |   |   |  |
|-----------------------------|---|---|--|
| <b>PUMP</b>                 | Type of liquid                              | Water containing foreign matter   |  |
|                             | Max Temp. [°C]                              | 40°   |  |
|                             | Liquid Handled                              | Max solids size [mm]  | 21 (50DVS)   |
|                             |   |   | 33 (65DVS & 80DVS 1.5 kW)  |
|                             |   |   | 41 (65DVS & 80DVS 2.2 - 3.7 kW)  |
|                             | Max fibers length [mm]                      | 100 (50DVS)   |  |
|                             |   | 200 (65DVS & 80DVS 1.5 kW)  |  |
|                             |   | 245 (65DVS & 80DVS 2.2 - 3.7 kW)  |  |
|                             | Submergence                                 | Max [m]   | 3 (1.5 kW)<br>7 (2.2 ÷ 3.7 kW)   |
|                             |   | Min [m]   | Refer to low water level (L.W.L.) and usage restriction in dimension         |
|                             | Construction                                | Impeller  | Semi – Vortex  |
|                             |   | Shaft seal type   | Oil lubricated, single spring double mechanical seal                         |
|                             | Connection                                  | Suction   | Open   |
|                             |   | Discharge [inch]<br>[mm]  | G1½ UNI ISO 228 (50DVS 1.5 kW)<br>DN 50, 65, 80 PN 10 according to EN 1092-2 |
|                             | Materials                                   | Casing  | Cast iron  |
| Impeller                    |   | Cast iron   |  |
| Shaft                       |   | Aisi 403  |  |
| Motor frame                 |   | Cast iron   |  |
| Fasteners                   |   | Aisi 304  |  |
| Mechanical seal             |   | SiC/SiC/NBR Impeller side<br>Carbon/Ceramic/NBR Motor side<br>Lubricant: Turbine Oil VG32 (SAE 10W/20W) |  |
|                             |   |   |  |
| Accessories                 | Standard                                    | Screwed companion oval flange (50 DVS)<br>Discharge elbow (65DVS & 80DVS)                               |  |
|                             | Optional                                    | Quick Discharge Connector (QDC): LS, LM, type   |  |
| Applicable standard of test |   | ISO 9906 Annex A  |  |
| <b>MOTOR</b>                | Type  | Three Phase air filled dry submersible  |  |
|                             | No. of Poles                                | 2   |  |
|                             | Rotation speed [min <sup>-1</sup> ]         | ~ 2850  |  |
|                             | Insulation Class                            | F   |  |
|                             | Protection degree                           | IP 68   |  |
|                             | Power Rating [kW]                           | 1.5 ÷ 3.7   |  |
|                             | Frequency [Hz]                              | 50±1%   |  |
|                             | Voltage [V]                                 | 380-415 ±10%  |  |
|                             | Starting                                    | DOL   |  |
|                             | Over load protection                        | Built in  |  |
|                             | Cable material                              | H07RN-F   |  |
|                             | Cable length [m]                            | 6 (up to 1.5 kW), 10 (2.2 kW and above)   |  |
| Bearings                    | Permanently lubricated sealed ball bearings |   |  |

**SPECIFICATION: DL (Sewage Pump)**

**50 Hz**

Rev. E

| <b>DL</b>                   |                                     |   |   |                       |
|-----------------------------|-------------------------------------|---|---|-----------------------|
| <b>PUMP</b>                 | Liquid Handled                      | Type of liquid  | Sewage  |                       |
|                             |                                     | Max Temp. [°C]  | 40°   |                       |
|                             |                                     | Max solids size [mm]  | 35 (65DL)   | 76 (200DL up to 22kW) |
|                             |                                     |   | 50 (80DL, all DLC)  | 76 (all 30÷44 kW)     |
|                             |                                     |   | 60 (100DL, 100DLB)  | 82 (250DL up to 22kW) |
|                             | 70 (150DL up to 22kW)               |   | 90 (300DL up to 22kW)   |                       |
|                             | Max fibers length [mm]              | 195 (65DL)  | 500 (200DL up to 22kW)  |                       |
|                             |                                     | 240 (80DL, all DLC)   | 500 (all 30÷44 kW)  |                       |
|                             |                                     | 300 (100DL, 100DLB)   | 550 (250DL up to 22kW)  |                       |
|                             |                                     | 400 (150DL up to 22kW)  | 600 (300DL up to 22kW)  |                       |
|                             | Submergence                         | Max [m]   | 7   |                       |
|                             |                                     | Min [m]   | Refer to low water level (L.W.L.) and usage restriction in dimension                              |                       |
|                             | Construction                        | Impeller  | Non clog, semi-open   |                       |
|                             |                                     | Shaft seal type   | Oil lubricated, single (up to 3.7 kW) or tandem (5.5 kW and above) springs double mechanical seal |                       |
|                             | Connection                          | Suction   | Open  |                       |
|                             |                                     | Discharge [mm]  | Flange DN 65, 80, 100, 150, 200, 250, 300 PN 10 according to EN 1092-2                            |                       |
|                             | Materials                           | Casing  | Cast iron   |                       |
| Impeller                    |                                     | Cast iron   |   |                       |
| Suction Cover               |                                     | Cast iron   |   |                       |
| Shaft                       |                                     | Aisi 403  |   |                       |
| Motor frame                 |                                     | Cast iron   |   |                       |
| Fasteners                   |                                     | Aisi 304  |   |                       |
| Mechanical seal             |                                     | SiC/SiC/NBR Impeller side<br>Carbon/Ceramic/NBR Motor side<br>Lubricant: Turbine Oil VG32 (SAE 10W/20W) |   |                       |
| Accessories                 | Standard                            | Discharge elbow   |   |                       |
|                             | Optional                            | Quick Discharge Connector (QDC): LM, LL type  |   |                       |
| Applicable standard of test |                                     | ISO 9906 Annex A  |   |                       |
| <b>MOTOR</b>                | Type                                |   | Three Phase air filled dry submersible  |                       |
|                             | No. of Poles                        |   | 4   |                       |
|                             | Rotation speed [min <sup>-1</sup> ] | ~ 1450  |   |                       |
|                             | Insulation Class                    |   | F   |                       |
|                             | Protection degree                   |   | IP 68   |                       |
|                             | Power Rating [kW]                   | 1.5 ÷ 45  |   |                       |
|                             | Frequency [Hz]                      | 50±1%   |   |                       |
|                             | Voltage [V]                         | 380-415 ±10%(1.5÷7.5 kW)  |   |                       |
|                             |                                     | 400-415 ±10% (Δ connection 11÷22 kW)  |   |                       |
|                             |                                     | 380-415 ±10% (Δ connection 30÷45 kW)  |   |                       |
|                             | Starting                            |   | DOL up to 7.5 kW<br>Y/Δ from 11 kW up to 45 kW  |                       |
|                             | Over load protection                |   | Built in  |                       |
| Cable                       | material                            | H07RN-F   |   |                       |
|                             | length [m]                          | 10  |   |                       |
| Bearings                    |                                     | Permanently lubricated sealed ball bearings   |   |                       |

|                             |                                     | <b>DLW/C</b>                                 |   |              |
|-----------------------------|-------------------------------------|--|---|--------------|
| <b>PUMP</b>                 | Type of liquid                      | Sewage                                       |   |              |
|                             | Max Temp. [°C]                      | 40°  |   |              |
|                             | Liquid Handled                      | Max solids size [mm]                         | 35  | (65DLW/C)    |
|                             |                                     |  | 50  | (80DLW/C)    |
|                             |                                     |  | 60  | (100DLB W/C) |
|                             | Max fibers length [mm]              | 195  | (65DLW/C)   |              |
|                             |                                     | 240  | (80DLW/C)   |              |
|                             |                                     | 300  | (100DLW/C)  |              |
|                             | Submergence                         | Max [m]                                      | 7   |              |
|                             |                                     | Min [m]                                      | Refer to low water level (L.W.L.) and usage restriction in dimension                              |              |
|                             | Construction                        | Impeller                                     | Non clog, semi-open with cutting action   |              |
|                             |                                     | Shaft seal type                              | Oil lubricated, single (up to 3.7 kW) or tandem (5.5 kW and above) springs double mechanical seal |              |
|                             | Connection                          | Suction                                      | Open  |              |
|                             |                                     | Discharge [mm]                               | Flange DN 65, 80, 100 PN 10 according to EN 1092-2  |              |
|                             | Materials                           | Casing                                       | Cast iron   |              |
|                             |                                     | Impeller                                     | Cast iron   |              |
| Suction Cover               |                                     | Cast iron                                    |   |              |
| Shaft                       |                                     | Aisi 403                                     |   |              |
| Motor frame                 |                                     | Cast iron                                    |   |              |
| Fasteners                   |                                     | Aisi 304                                     |   |              |
| Mechanical seal             |                                     | SiC/SiC/NBR                                  | Impeller side   |              |
|                             |                                     | Carbon/Ceramic/NBR                           | Motor side  |              |
| Accessories                 | Standard                            | Discharge elbow                              |   |              |
|                             | Optional                            | Quick Discharge Connector (QDC): LM, LL type |   |              |
| Applicable standard of test |                                     | ISO 9906 Annex A                             |   |              |
| <b>MOTOR</b>                | Type                                | Three Phase air filled dry submersible       |   |              |
|                             | No. of Poles                        | 4  |   |              |
|                             | Rotation speed [min <sup>-1</sup> ] | ~ 1450                                       |   |              |
|                             | Insulation Class                    | F  |   |              |
|                             | Protection degree                   | IP 68  |   |              |
|                             | Power Rating [kW]                   | 1.5 ÷ 7.5                                    |   |              |
|                             | Frequency [Hz]                      | 50±1%  |   |              |
|                             | Voltage [V]                         | 380-415 ±10%                                 |   |              |
|                             | Starting                            | DOL (Direct on line)                         |   |              |
|                             | Over load protection                | Built in                                     |   |              |
|                             | Cable                               | material                                     | H07RN-F   |              |
| length [m]                  |                                     | 10   |   |              |
| Bearings                    |                                     | Permanently lubricated sealed ball bearings  |   |              |

**SPECIFICATION: DML (Sewage Pump)**

**50 Hz**

Rev. E

| <b>DML</b>                  |                                     |   |  |
|-----------------------------|-------------------------------------|---|--|
| <b>PUMP</b>                 | Liquid Handled                      | Type of liquid  | Sewage   |
|                             |                                     | Max Temp. [°C]  | 40°  |
|                             |                                     | Max solids size [mm]  | 76   |
|                             |                                     | Max fibers length [mm]  | 500  |
|                             | Submergence                         | Max [m]   | 7  |
|                             |                                     | Min [m]   | Refer to low water level (L.W.L.) and usage restriction in dimension           |
|                             | Construction                        | Impeller  | Non clog, single channel   |
|                             |                                     | Shaft seal type   | Oil lubricated, single spring double mechanical seal                           |
|                             | Connection                          | Suction   | Open   |
|                             |                                     | Discharge [mm]  | Flange DN 80, 100, 150 PN 10 according to EN 1092-2                            |
|                             | Materials                           | Casing  | Cast iron  |
|                             |                                     | Impeller  | Cast iron  |
|                             |                                     | Suction Cover   | Cast iron  |
|                             |                                     | Shaft   | Aisi 403   |
|                             |                                     | Motor frame   | Cast iron  |
| Fasteners                   |                                     | Aisi 304  |  |
| Mechanical seal             |                                     | SiC/SiC/NBR Impeller side<br>Carbon/Ceramic/NBR Motor side<br>Lubricant: Turbine Oil VG32 (SAE 10W/20W) |  |
| Accessories                 | Standard                            | Discharge elbow   |  |
|                             | Optional                            | Quick Discharge Connector (QDC): LM, LL type  |  |
| Applicable standard of test |                                     | ISO 9906 Annex A  |  |
| <b>MOTOR</b>                | Type                                |   | Three Phase air filled dry submersible   |
|                             | No. of Poles                        |   | 4  |
|                             | Rotation speed [min <sup>-1</sup> ] |   | ~ 1450   |
|                             | Insulation Class                    |   | F  |
|                             | Protection degree                   |   | IP 68  |
|                             | Power Rating [kW]                   |   | 2.2 ÷ 22   |
|                             | Frequency [Hz]                      |   | 50±1%  |
|                             | Voltage [V]                         |   | 380-415 -10+6% (2.2 kW)<br>380-415 ±10% (3.7÷22 kW)                            |
|                             | Starting                            |   | DOL 2.2 kW<br>Y/Δ from 3.7 kW up to 22 kW                                      |
|                             | Over load protection                |   | Built in motor protector 2.2 kW<br>Built in heat probe from 3.7 kW up to 22 kW |
|                             | Cable                               | material  | H07RN-F  |
|                             |                                     | length [m]  | 10   |
| Bearings                    |                                     | Permanently lubricated sealed ball bearings   |  |

| <b>DMLF</b>                 |                                     |  |  |  |
|-----------------------------|-------------------------------------|--|--|--|
| <b>PUMP</b>                 | Liquid Handled                      | Type of liquid   | Non corrosive dirty waters also with solid bodies in suspension      |  |
|                             |                                     | Max Temp. [°C]   | < 40°  |  |
|                             |                                     | Max solids size [mm]   | 30 50DMLF51.4M2BG<br>40 65DMLF51.5M2AG, 65DMLF51.5M2AG               |  |
|                             | Submergence                         | Max [m]  | 20   |  |
|                             |                                     | Min [m]  | Refer to low water level (L.W.L.) and usage restriction in dimension |  |
|                             | Construction                        | Impeller   | Non clog, single channel   |  |
|                             |                                     | Shaft seal type  | Oil lubricated, single spring single mechanical seal + Lip seal      |  |
|                             | Connection                          | Suction [mm]   | - 50DMLF51.4M2BG<br>50 65DMLF51.5M2AG, 65DMLF51.5M2AG                |  |
|                             |                                     | Discharge [mm]<br><small>(*According to EN 1092-2)</small>   | 50 50DMLF51.4M2BG<br>DN65* 65DMLF51.5M2AG, 65DMLF51.5M2AG            |  |
|                             | Materials                           | Casing   | Cast iron EN-GJL-250   |  |
|                             |                                     | Impeller   | Cast-iron EN-GJL-250+Ni  |  |
|                             |                                     | Suction Cover  | Cast iron EN-GJL-250   |  |
|                             |                                     | Shaft  | Stainless Steel AISI 420B/431  |  |
|                             |                                     | Motor frame  | Cast iron EN-GJL-250   |  |
|                             |                                     | Fasteners  | A2 class - AISI 304  |  |
|                             | Mechanical seal                     | NBR Impeller side<br>SiC Motor side<br>Nitrile O-rings and lip seal<br>Lubricant: AGIP ITE 360     |  |  |
| Accessories                 | Optional                            | Screwed flange square type<br>Discharge threaded elbow<br>Quick Discharge Connector (QDC): PA type |  |  |
| Applicable standard of test |                                     | ISO 9906 Annex A   |  |  |
| <b>MOTOR</b>                | Type                                | Single Phase<br>Dry motor, cooled by surrounding liquid  |  |  |
|                             | No. of Poles                        | 2  |  |  |
|                             | Rotation speed [min <sup>-1</sup> ] | 2850   |  |  |
|                             | Insulation Class                    | H  |  |  |
|                             | Protection degree                   | IP 68  |  |  |
|                             | Power Rating [kW]                   | 1.4 ÷ 1.9  |  |  |
|                             | Frequency [Hz]                      | 50 -5/+3 %   |  |  |
|                             | Voltage [V]                         | 230 ±10%   |  |  |
|                             | Starting                            | DOL  |  |  |
|                             | Over load protection                | Yes  |  |  |
|                             | Floating switch                     | Up to 1.9 kW   |  |  |
|                             | Cable                               | material   | H07RN-F  |  |
|                             |                                     | length [m]   | 10   |  |
| size [mm]                   |                                     | 3G1.5  |  |  |
| Bearings                    |                                     | Overdimensioned, life lubricated, maintenance free   |  |  |

**SPECIFICATION: DMLV (Sewage Pump)**

50 Hz

Rev. E

| <b>DMLV</b>                 |   |   |  |
|-----------------------------|---|---|--|
| <b>PUMP</b>                 | Liquid Handled                              | Type of liquid  | Sewage   |
|                             |   | Max Temp. [°C]  | 40°  |
|                             |   | Max solids size [mm]  | 80 (80DMLV)<br>100 (100DMLV)   |
|                             |   | Max fibers length [mm]  | 400 (80DMLV)<br>500 (100DMLV)  |
|                             | Submergence                                 | Max [m]   | 7  |
|                             |   | Min [m]   | Refer to low water level (L.W.L.) and usage restriction in dimension |
|                             | Construction                                | Impeller  | Vortex   |
|                             |   | Shaft seal type   | Oil lubricated, single spring double mechanical seal                 |
|                             | Connection                                  | Suction   | Open   |
|                             |   | Discharge [mm]  | Flange DN 80, 100 PN 10 according to EN 1092-2                       |
|                             | Materials                                   | Casing  | Cast iron  |
|                             |   | Impeller  | Cast iron  |
|                             |   | Suction Cover   | Cast iron  |
|                             |   | Shaft   | Aisi 403   |
|                             |   | Motor frame   | Cast iron  |
| Fasteners                   |   | Aisi 304  |  |
| Mechanical seal             |   | SiC/SiC/NBR Impeller side<br>Carbon/Ceramic/NBR Motor side<br>Lubricant: Turbine Oil VG32 (SAE 10W/20W) |  |
| Accessories                 | Standard                                    | Discharge elbow   |  |
|                             | Optional                                    | Quick Discharge Connector (QDC): LM, LL type  |  |
| Applicable standard of test |   | ISO 9906 Annex A  |  |
| <b>MOTOR</b>                | Type  | Three Phase<br>air filled dry submersible   |  |
|                             | No. of Poles                                | 4   |  |
|                             | Rotation speed [min <sup>-1</sup> ]         | ~ 1450  |  |
|                             | Insulation Class                            | F   |  |
|                             | Protection degree                           | IP 68   |  |
|                             | Power Rating [kW]                           | 2.2 ÷ 22  |  |
|                             | Frequency [Hz]                              | 50±1%   |  |
|                             | Voltage [V]                                 | 380-415 -10+6% (2.2 kW)<br>380-415 ±10% (3.7÷22 kW))  |  |
|                             | Starting                                    | DOL 2.2 kW<br>Y/Δ from 3.7 kW up to 22 kW   |  |
|                             | Over load protection                        | Built in motor protector 2.2 kW<br>Built in heat probe from 3.7 kW up to 22 kW                          |  |
|                             | Cable material                              | H07RN-F   |  |
|                             | length [m]                                  | 10  |  |
| Bearings                    | Permanently lubricated sealed ball bearings |   |  |

**SPECIFICATION: DMLVF (Sewage Pump)**

**50 Hz**

Rev. E

|                 |  | <b>DMLVF</b>   |  |   |  |  |
|-----------------|--|--|--|---|--|--|
| <b>PUMP</b>     | Type of liquid   | Sewage   |  |   |  |  |
|                 | Max Temp. [°C]   | <40°   |  |   |  |  |
|                 | Liquid Handled   | Max solids size [mm]   | 30   | 40DMLVF50.5M2AG   | 65   | 65DMLVF51.5M2CG  |
|                 |  |  | 50   | 50DMLVF51.5M2CG,<br>50DMLVF51.5M2BG,<br>50DMLVF51.9M2AG | 40x50<br>80  | 80DMLVF516.6T2BG**<br>80DMLVF518.2T2DG**<br>100DMLVF55.2T6BG** |
|                 |  |  | 64   | 80DMLVF54.9T4AG   |  |  |
|                 |  |  |  |   |  |  |
|                 | Submergence  | Max [m]  | 20   |   |  |  |
|                 |  | Min [m]  | Refer to low water level (L.W.L.) and usage restriction in dimension |   |  |  |
|                 | Construction   | Impeller   | Vortex   |   |  |  |
|                 |  | Shaft seal type  | Oil lubricated, single spring double mechanical seal                 |   |  |  |
|                 | Connection   | Suction (*According to EN 1092-2) [mm]   | 30   | 40DMLVF50.5M2AG   | DN80*  | 80DMLVF54.9T4AG,<br>80DMLVF516.6T2BG**                         |
|                 |  |  | 55   | 50DMLVF51.5M2CG,<br>50DMLVF51.5M2BG,<br>50DMLVF51.9M2AG | DN100*<br>DN125*   | 80DMLVF518.2T2DG**<br>100DMLVF55.2T6BG**                       |
|                 |  | Discharge (*According to EN 1092-2) [mm]   | 1 1/4  | 40DMLVF50.5M2AG   | DN80*  | 80DMLVF54.9T4AG,<br>80DMLVF516.6T2BG**<br>80DMLVF518.2T2DG**   |
|                 |  |  | 50   | 50DMLVF51.5M2CG,<br>50DMLVF51.5M2BG,<br>50DMLVF51.9M2AG | DN100*   | 100DMLVF55.2T6BG**   |
|                 | Materials  | Casing   | Cast iron EN-GJL-250   |   |  |  |
| Impeller        |  | Cast-iron EN-GJL-250+Ni  |  |   |  |  |
| Suction Cover   |  | Cast iron EN-GJL-250   |  |   |  |  |
| Shaft           |  | Stainless Steel AISI 420B/431  |  |   |  |  |
| Motor frame     |  | Cast iron EN-GJL-250   |  |   |  |  |
| Fasteners       |  | A2 class - AISI 304  |  |   |  |  |
| Mechanical seal |  | SiC<br>Ceramic/Graphite<br>Nitrile<br>Lubricant: AGIP ITE 360                                      | Impeller side<br>Motor side<br>O-rings and lip seal                  |   |  |  |
| Accessories     | Standard   | Screwed flange square type<br>Discharge threaded elbow<br>Quick Discharge Connector (QDC): PA type |  |   |  |  |
|                 |  | Applicable standard of test<br>ISO 9906 Annex A  |  |   |  |  |
| <b>MOTOR</b>    | Type   | Single Phase   |  | Three Phase   |  |  |
|                 | Dry motor, cooled by surrounding liquid<br>(*available also with cooling jacket) |  |  |   |  |  |
|                 | No. of Poles   | 2  |  | 4   | 6  |  |
|                 | Rotation speed [min <sup>-1</sup> ]  | 2850   |  | 1450  | 950  |  |
|                 | Insulation Class   | H  |  |   |  |  |
|                 | Protection degree  | IP 68  |  |   |  |  |
|                 | Power Rating [kW]  | 0.5 ÷ 18.2   |  | 4.9   | 5.2  |  |
|                 | Frequency [Hz]   | 50 -5/+3 %   |  |   |  |  |
|                 | Voltage [V]  | 230 ±10%   |  | 400/690 ±10%  |  |  |
|                 | Starting   | DOL  |  | DOL - Y/Δ   |  |  |
|                 | Over load protection   | Yes  |  | Yes   |  |  |
|                 | Humidity probe   | No   |  | Yes   |  |  |
|                 | Floating switch  | Up to 1.9 kw   |  | -   |  |  |
|                 | Cable  | material   | H07RN-F  |   |  |  |
|                 |  | length [m]   | 10   |   |  |  |
| size [mm]       |  | 3G1  | 40DMLVF50.5M2AG  | 12G1.5  | 80DMLVF54.9T4AG  |  |
|                 |  | 3G1.5  | 50DMLVF51.5M2CG,<br>50DMLVF51.5M2BG,<br>50DMLVF51.9M2AG              | 12G2.5  | 80DMLVF516.6T2BG,<br>80DMLVF518.2T2DG,<br>100DMLVF55.2T6BG |  |
| Bearings        | Overdimensioned, life lubricated, maintenance free                               |  |  |   |  |  |



| <b>40DRS</b>                |  |  |   |  |
|-----------------------------|--|--|---|--|
| <b>PUMP</b>                 | Liquid Handled                                     | Type of liquid   | Sewage  |  |
|                             |  | Max Temp. [°C]   | <40°  |  |
|                             | Max solids size [mm]                               | 6  | 40DRS51.1M2CG, 40DRS51.1M2BG, 40DRS51.1M2AG, 40DRS51.2M2CG, 40DRS51.5M2BG, 40DRS51.9M2AG, 40DRS51.1T2CG, 40DRS51.1T2BG, 40DRS51.4T2AG, 40DRS51.6T2CG, 40DRS51.6T2BG, 40DRS52.4T2AG, 40DRS53.1T2BG, 40DRS53.1T2AG, 40DRS54.2T2CG, 40DRS55T2BG, 40DRS55T2AG.    |  |
|                             |  | 7  |   |  |
|                             | Submergence  | Max [m]  | 20  |  |
|                             |  | Min [m]  | Refer to low water level (L.W.L.) and usage restriction in dimension  |  |
|                             | Construction                                       | Impeller   | Grinder   |  |
|                             |  | Shaft seal type  | Oil lubricated, single spring single mechanical seal + Lip Seal   |  |
|                             | Connection   | Suction [mm]   | - 40DRS51.1M2CG, 40DRS51.1M2BG, 40DRS51.1M2AG, 40DRS51.2M2CG, 40DRS51.5M2BG, 40DRS51.9M2AG, 40DRS51.1T2CG, 40DRS51.1T2BG, 40DRS51.4T2AG, 40DRS51.6T2CG, 40DRS51.6T2BG, 40DRS52.4T2AG, 40DRS53.1T2BG, 40DRS53.1T2AG, 40DRS54.2T2CG, 40DRS55T2BG, 40DRS55T2AG.  |  |
|                             |  | Discharge [mm]   | 40 40DRS51.1M2CG, 40DRS51.1M2BG, 40DRS51.1M2AG, 40DRS51.2M2CG, 40DRS51.5M2BG, 40DRS51.9M2AG, 40DRS51.1T2CG, 40DRS51.1T2BG, 40DRS51.4T2AG, 40DRS51.6T2CG, 40DRS51.6T2BG, 40DRS52.4T2AG, 40DRS53.1T2BG, 40DRS53.1T2AG, 40DRS54.2T2CG, 40DRS55T2BG, 40DRS55T2AG. |  |
|                             | Materials  | Casing   | Cast iron EN-GJL-250  |  |
|                             |  | Impeller   | Cast-iron EN-GJS-400  |  |
|                             |  | Suction Cover  | Cast iron EN-GJL-250  |  |
|                             |  | Shaft  | Stainless Steel AISI 420B/431   |  |
| Motor frame                 |  | Cast iron EN-GJL-250   |   |  |
| Fasteners                   |  | A2 class - AISI 304  |   |  |
| Mechanical seal             |  | SiC  | Impeller side   |  |
|                             |  | Ceramic/Graphite   | Motor side  |  |
| Accessories                 |  | Nitrile  | O-rings and lip seal  |  |
|                             |  | Lubricant: AGIP ITE 360  |   |  |
| Applicable standard of test |  | Screwed flange square type                                       |   |  |
|                             |  | Discharge threaded elbow   |   |  |
|                             | Standard   | Quick Discharge Connector (QDC): PA type                         |   |  |
|                             |  | Control Panel with capacitor and disjunctour (only single phase) |   |  |
|                             |  | ISO 9906 Annex A   |   |  |
| <b>MOTOR</b>                | Type   | Single Phase   | Three Phase   |  |
|                             |  | Dry motor, cooled by surrounding liquid                          |   |  |
|                             | No. of Poles                                       | 2  |   |  |
|                             | Rotation speed [min <sup>-1</sup> ]                | 2850   |   |  |
|                             | Insulation Class                                   | H  |   |  |
|                             | Protection degree                                  | IP 68  |   |  |
|                             | Power Rating [kW]                                  | 1.1 ÷ 5.0  |   |  |
|                             | Frequency [Hz]                                     | 50 -5/+3 %   |   |  |
|                             | Voltage [V]  | 230 ±10%   | 400/690 ±10%  |  |
|                             | Starting   | DOL  | DOL - Y/Δ   |  |
|                             | Over load protection                               | Yes  | No<br>Yes 40DRS54.2T2CG, 40DRS55T2BG, 40DRS55T2AG   |  |
|                             | Humidity probe                                     | No   | No<br>Yes 40DRS54.2T2CG, 40DRS55T2BG, 40DRS55T2AG   |  |
|                             | Floating switch                                    | Up to 1.9 kW   | -   |  |
|                             | Cable  | material   | Neoprene H07RN/F  |  |
| length [m]                  |  | 10   |   |  |
| size [mm]                   |  | 4G1.5  | 4G1.5<br>4G2.5 40DRS53.1T2BG, 40DRS53.1T2AG<br>12G1.5 40DRS54.2T2CG, 40DRS54.2T2CG, 40DRS55T2AG   |  |
| Bearings                    | Overdimensioned, life lubricated, maintenance free |  |   |  |

**SPECIFICATION: DRS (Sewage Pump)**

**50 Hz**

Rev. E

|                             |                                     | <b>65DRS</b>   |   |   |
|-----------------------------|-------------------------------------|--|---|---|
| <b>PUMP</b>                 | Type of liquid                      | Sewage   |   |   |
|                             | Max Temp. [°C]                      | < 40°  |   |   |
|                             | Max solids size [mm]                | 8  | 65DRS57.5T2BG, 65DRS56.5T2CG  |   |
|                             |                                     | 10   | 65DRS59T2DG, 65DRS511T2CG, 65DRS513.8T2BG, 65DRS513.8T2AG, 65DRS514.9T2GG, 65DRS520T2BG, 65DRS522.4T2AG, 65DRS525.1T2AG |   |
|                             | Submergence                         | Max [m]  | 20  |   |
|                             |                                     | Min [m]  | Refer to low water level (L.W.L.) and usage restriction in dimension  |   |
|                             | Construction                        | Impeller   | Grinder   |   |
|                             |                                     | Shaft seal type  | Oil lubricated, single spring single mechanical seal + Lip Seal   |   |
|                             | Connection                          | Suction [mm]   | -   | 65DRS57.5T2BG, 65DRS56.5T2CG, 65DRS59T2DG, 65DRS511T2CG, 65DRS513.8T2BG, 65DRS513.8T2AG, 65DRS514.9T2GG, 65DRS520T2BG, 65DRS522.4T2AG, 65DRS525.1T2AG |
|                             |                                     | Discharge [mm]<br>(*According to EN 1092-2)  | DN65*   | 65DRS57.5T2BG, 65DRS56.5T2CG, 65DRS59T2DG, 65DRS511T2CG, 65DRS513.8T2BG, 65DRS513.8T2AG, 65DRS514.9T2GG, 65DRS520T2BG, 65DRS522.4T2AG, 65DRS525.1T2AG |
|                             | Materials                           | Casing   | Cast iron EN-GJL-250  |   |
|                             |                                     | Impeller   | Cast-iron EN-GJS-400  |   |
|                             |                                     | Suction Cover  | Cast iron EN-GJL-250  |   |
|                             |                                     | Shaft  | Stainless Steel AISI 420B/431   |   |
|                             |                                     | Motor frame  | Cast iron EN-GJL-250  |   |
| Fasteners                   |                                     | A2 class - AISI 304  |   |   |
| Mechanical seal             |                                     | SiC<br>Ceramic/Graphite<br>Nitrile<br>Lubricant: AGIP ITE 360                                      | Impeller side<br>Motor side<br>O-rings and lip seal   |   |
| Accessories                 | Standard                            | Screwed flange square type<br>Discharge threaded elbow<br>Quick Discharge Connector (QDC): PA type |   |   |
| Applicable standard of test |                                     | ISO 9906 Annex A   |   |   |
| <b>MOTOR</b>                | Type                                | Three Phase<br>Dry motor, cooled by surrounding liquid   |   |   |
|                             | No. of Poles                        | 2  |   |   |
|                             | Rotation speed [min <sup>-1</sup> ] | 2850   |   |   |
|                             | Insulation Class                    | H  |   |   |
|                             | Protection degree                   | IP 68  |   |   |
|                             | Power Rating [kW]                   | 7.5 ÷ 25.1   |   |   |
|                             | Frequency [Hz]                      | 50 -5/+3 %   |   |   |
|                             | Voltage [V]                         | 400/690 ±10%   |   |   |
|                             | Starting                            | DOL - Y/Δ  |   |   |
|                             | Over load protection                | Yes  |   |   |
|                             | Humidity probe                      | Yes  |   |   |
|                             | Floating switch                     | -  |   |   |
|                             | Cable                               | material   | Neoprene H07RN/F  |   |
|                             |                                     | length [m]   | 10  |   |
|                             |                                     | size [mm]  | 12G1.5<br>12G2.5<br>2x4G10+4G2.5  | 65DRS57.5T2BG<br>65DRS520T2BG, 65DRS522.4T2AG,<br>65DRS525.1T2AG  |
| Bearings                    |                                     | Overdimensioned, life lubricated, maintenance free   |   |   |

|                             |                      | <b>65-80DRD</b>   |   |  |                                |
|-----------------------------|----------------------|---|---|--|--------------------------------|
| <b>PUMP</b>                 | Type of liquid       | Dirty Waters  |   |  |                                |
|                             | Max Temp.            | [°C]  | <40°  |  |                                |
|                             | Max solids size      | [mm]  | 30  |  |                                |
|                             | Submergence          | Max   | [m]   | 20   |                                |
|                             |                      | Min   | [m]   | Refer to low water level (L.W.L.) and usage restriction in dimension                   |                                |
|                             | Construction         | Impeller  | With channels   |  |                                |
|                             |                      | Shaft seal type   | Oil lubricated, single spring single mechanical seal + Lip Seal |  |                                |
|                             | Connection           | Suction<br>(*According to EN 1092-2)  | [mm]  | DN80* 65DRD53.1T2CG, 65DRD53.6T2BG, 80DRD55T2BG, 80DRD56T2AG<br>DN100* 80DRD57.5T2AG** |                                |
|                             |                      | Discharge<br>(*According to EN 1092-2)  | [mm]  | DN65* 65DRD53.1T2CG, 65DRD53.6T2BG<br>DN80* 80DRD55T2BG, 80DRD56T2AG, 80DRD57.5T2AG**  |                                |
|                             | Materials            | Casing  | Cast iron EN-GJL-250  |  |                                |
|                             |                      | Impeller  | Cast-iron EN-GJS-250  |  |                                |
|                             |                      | Suction Cover   | Cast iron EN-GJL-250  |  |                                |
|                             |                      | Shaft   | Stainless Steel AISI 420B/431                                   |  |                                |
|                             |                      | Motor frame   | Cast iron EN-GJL-250  |  |                                |
|                             |                      | Fasteners   | A2 class - AISI 304   |  |                                |
|                             | Mechanical seal      | SiC<br>Ceramic/Graphite<br>Nitrile<br>Lubricant: AGIP ITE 360   | Impeller side<br>Motor side<br>O-rings and lip seal             |  |                                |
| Accessories                 | Standard             | Screwed flange square type<br>Discharge threaded elbow<br>Quick Discharge Connector (QDC): PA type      |   |  |                                |
| Applicable standard of test |                      | ISO 9906 Annex A  |   |  |                                |
| <b>MOTOR</b>                | Type                 | Three Phase<br>Dry motor, cooled by surrounding liquid<br>(**available also with cooling jacket)        |   |  |                                |
|                             | No. of Poles         | 2   |   |  |                                |
|                             | Rotation speed       | [min <sup>-1</sup> ]  | 2850  |  |                                |
|                             | Insulation Class     | H   |   |  |                                |
|                             | Protection degree    | IP 68   |   |  |                                |
|                             | Power Rating         | [kW]  | 3.1 ÷ 7.5   |  |                                |
|                             | Frequency            | [Hz]  | 50 -5/+3 %  |  |                                |
|                             | Voltage              | [V]   | 400 ±10%  | 65DRD53.1T2CG,<br>65DRD53.6T2BG  | 400/690 ±10%                   |
|                             | Starting             | DOL - Y/Δ   |   |  |                                |
|                             | Over load protection | No  | 65DRD53.1T2CG,<br>65DRD53.6T2BG                                 | Yes  |                                |
|                             | Humidity probe       | No  | 65DRD53.1T2CG,<br>65DRD53.6T2BG                                 | Yes  |                                |
|                             | Floating switch      | -   |   |  |                                |
|                             | Cable                | material  | Neoprene H07RN/F  |  |                                |
|                             |                      | length  | [m]   | 10   |                                |
|                             |                      | size  | [mm]  | 4G2.5  | 12G1.5<br>12G2.5 80DRD57.5T2AG |
| Bearings                    |                      | Overdimensioned, life lubricated, maintenance free<br>Overdimensioned double ball bearing with greasers |   |  |                                |

|                             |                                     | 100DRD   |  |   |  |
|-----------------------------|-------------------------------------|--|--|---|--|
| <b>PUMP</b>                 | Type of liquid                      | Dirty Waters   |  |   |  |
|                             | Max Temp. [°C]                      | <40°   |  |   |  |
|                             | Max solids size [mm]                | 40   | 100DRD512T2DG**, 100DRD514.9T2CG**, 100DRD516.6T2BG**, 100DRD518.2T2AG**, 100DRD520T2AG**                          |   |  |
|                             |                                     | 60   | 100DRD57.1T4BG**   |   |  |
|                             |                                     | 80   | 100DRD52.7T6AG, 100DRD52.8T6AG, 100DRD54.6T4CG, 100DRD54.6T4BG, 100DRD57.5T4FG**, 100DRD510T4FG**, 100DRD510T4AG** |   |  |
|                             | Submergence                         | Max [m]  | 20   |   |  |
|                             |                                     | Min [m]  | Refer to low water level (L.W.L.) and usage restriction in dimension   |   |  |
|                             | Construction                        | Impeller   | With channels  |   |  |
|                             |                                     | Shaft seal type  | Oil lubricated, single spring single mechanical seal + Lip Seal  |   |  |
|                             | Connection                          | Suction (* According to EN 1092-2) [mm]  | DN100*   |   |  |
|                             |                                     | Discharge (* According to EN 1092-2) [mm]                                      | DN125*   |   |  |
|                             | Materials                           | Casing   | Cast iron EN-GJL-250   |   |  |
|                             |                                     | Impeller   | Cast-iron EN-GJS-250   |   |  |
|                             |                                     | Suction Cover  | Cast iron EN-GJL-250   |   |  |
|                             |                                     | Shaft  | Stainless Steel AISI 420B/431  |   |  |
| Motor frame                 |                                     | Cast iron EN-GJL-250   |  |   |  |
| Fasteners                   |                                     | A2 class - AISI 304  |  |   |  |
| Mechanical seal             |                                     | SiC  | Impeller side  |   |  |
|                             |                                     | Ceramic/Graphite   | Motor side   |   |  |
| Accessories                 | Standard                            | Screwed flange square type   |  |   |  |
|                             |                                     | Discharge threaded elbow   |  |   |  |
| Applicable standard of test |                                     | Quick Discharge Connector (QDC): PA type                                       |  |   |  |
|                             |                                     | ISO 9906 Annex A   |  |   |  |
| <b>MOTOR</b>                | Type                                | Three Phase  |  |   |  |
|                             |                                     | Dry motor, cooled by surrounding liquid (**available also with cooling jacket) |  |   |  |
|                             | No. of Poles                        | 2  | 4  | 6   |  |
|                             | Rotation speed [min <sup>-1</sup> ] | 2850   | 1450   | 950   |  |
|                             | Insulation Class                    | H  |  |   |  |
|                             | Protection degree                   | IP 68  |  |   |  |
|                             | Power Rating [kW]                   | 12 + 20  | 4.6 + 10   | 2.7 + 2.8                                     |  |
|                             | Frequency [Hz]                      | 50 -5/+3 %   |  |   |  |
|                             | Voltage [V]                         | 400/690 ±10%   | 400 ±10  | 100DRD52.7T4CG<br>400/690 ±10%                |  |
|                             | Starting                            | DOL - Y/Δ  |  |   |  |
|                             | Over load protection                | Yes  | No   | 100DRD52.7T4CG<br>Yes                         |  |
|                             | Humidity probe                      | Yes  | No   | 100DRD52.7T4CG<br>Yes                         |  |
|                             | Floating switch                     | -  |  |   |  |
|                             | Cable                               | material   | Neoprene H07RN/F   |   |  |
|                             |                                     | length [m]   | 10   |   |  |
| size [mm]                   |                                     | 12G1.5   | 100DRD54.6T4CG,<br>100DRD54.6T4BG  | 4G2.5 100DRD52.7T6AG<br>12G1.5 100DRD52.8T6AG |  |
| Bearings                    |                                     | 12G2.5   | 100DRD520T2AG**  |   |  |
|                             |                                     | 10G4   |  |   |  |
|                             |                                     | Overdimensioned, life lubricated, maintenance free                             |  |   |  |
|                             |                                     | Overdimensioned, double ball bearing with greasers (4 poles)                   |  |   |  |

|                             |  | <b>150DRD</b>  |   |   |   |
|-----------------------------|--|--|---|---|---|
| <b>PUMP</b>                 | Type of liquid   | Dirty Waters   |   |   |   |
|                             | Max Temp. [°C]   | <40°   |   |   |   |
|                             | Max solids size [mm]   | 50   | 150DRD540.2T2BG, 150DRD552T2CG, 150DRD535T2AG<br>150DRD560T4GG, 150DRD575T4CG, 150DRD580T4BG,<br>150DRD580T4AG  |   |   |
|                             |  | 80   | 150DRD56T6CG, 150DRD58T6BG, 150DRD527T4AG,<br>150DRD530.1T4BG, 150DRD535.7T4AG                                  |   |   |
|                             |  | 100  | 150DRD512T6AG, 150DRD514T6BG, 150DRD523T4CG,<br>150DRD527T4BG, 150DRD530T4BG, 150DRD535.7T4EG,<br>150DRD541T4AG |   |   |
|                             | Submergence  | Max [m]  | 20  |   |   |
|                             |  | Min [m]  | Refer to low water level (L.W.L.) and usage restriction in dimension  |   |   |
|                             | Construction   | Impeller   | With channels   |   |   |
|                             |  | Shaft seal type  | Oil lubricated, single spring single mechanical seal + Lip Seal   |   |   |
|                             | Connection   | Suction (* According to EN 1092-2) [mm]  | DN150*  | 150DRD560T4GG, 150DRD575T4CG, 150DRD580T4BG,<br>150DRD580T4AG |   |
|                             |  | Discharge (* According to EN 1092-2) [mm]  | DN150*  |   |   |
|                             | Materials  | Casing   | Cast iron EN-GJL-250  |   |   |
|                             |  | Impeller   | Cast-iron EN-GJS-250  |   |   |
|                             |  | Suction Cover  | Cast iron EN-GJL-250  |   |   |
|                             |  | Shaft  | Stainless Steel AISI 420B/431   |   |   |
| Motor frame                 |  | Cast iron EN-GJL-250   |   |   |   |
| Fasteners                   |  | A2 class - AISI 304  |   |   |   |
| Mechanical seal             |  | SiC  | Impeller side   |   |   |
|                             |  | Ceramic/Graphite<br>Nitrile<br>Lubricant: AGIP ITE 360   | Motor side<br>O-rings and lip seal  |   |   |
| Accessories                 | Standard   | Screwed flange square type<br>Discharge threaded elbow<br>Quick Discharge Connector (QDC): PA type |   |   |   |
| Applicable standard of test |  | ISO 9906 Annex A   |   |   |   |
| <b>MOTOR</b>                | Type   | Three Phase<br>Dry motor, cooled by surrounding liquid<br>(Available also with cooling jacket)     |   |   |   |
|                             | No. of Poles   | 2  | 4   | 6   |   |
|                             | Rotation speed [min <sup>-1</sup> ]  | 2850   | 1450  | 950   |   |
|                             | Insulation Class   | H  |   |   |   |
|                             | Protection degree  | IP 68  |   |   |   |
|                             | Power Rating [kW]  | 35 + 52  | 23 + 80   | 6 + 14  |   |
|                             | Frequency [Hz]   | 50 -5/+3 %   |   |   |   |
|                             | Voltage [V]  | 400/690 ±10%   |   |   |   |
|                             | Starting   | DOL - Y/Δ  |   |   |   |
|                             | Over load protection   | Yes  |   |   |   |
|                             | Humidity probe   | Yes  |   |   |   |
|                             | Floating switch  | -  |   |   |   |
|                             | Cable  | material   | Neoprene H07RN/F  |   |   |
|                             |  | length [m]   | 10  |   |   |
|                             |  | size [mm]  | 2x4G10+4G2.5<br>2x4G25+4G2.5  | 150DRD575T4CG,<br>150DRD580T4BG,<br>150DRD580T4AG             | 12G2.5 150DRD56T6CG,<br>150DRD58T6BG,<br>10G4 150DRD512T6AG,<br>150DRD514T6BG |
| Bearings                    | Overdimensioned, life lubricated, maintenance free<br>Overdimensioned, double ball bearing with greasers (4 poles) |  |   |   |   |

|                             |   | <b>200DRD</b>  |  |   |   |
|-----------------------------|---|--|--|---|---|
| <b>PUMP</b>                 | Type of liquid  | Dirty Waters   |  |   |   |
|                             | Max Temp. [°C]  | <40°   |  |   |   |
|                             | Max solids size [mm]  | 102  |  |   |   |
|                             | Submergence   | Max [m]  | 20   |   |   |
|                             |   | Min [m]  | Refer to low water level (L.W.L.) and usage restriction in dimension |   |   |
|                             | Construction  | Impeller   | With channels  |   |   |
|                             |   | Shaft seal type  | Oil lubricated, single spring single mechanical seal + Lip Seal      |   |   |
|                             | Connection  | Suction (*According to EN 1092-2) [mm]   | DN200*   |   |   |
|                             |   | Discharge (*According to EN 1092-2) [mm]   | DN200*   |   |   |
|                             | Materials   | Casing   | Cast iron EN-GJL-250   |   |   |
|                             |   | Impeller   | Cast-iron EN-GJS-250   |   |   |
|                             |   | Suction Cover  | Cast iron EN-GJL-250   |   |   |
|                             |   | Shaft  | Stainless Steel AISI 420B/431  |   |   |
|                             |   | Motor frame  | Cast iron EN-GJL-250   |   |   |
|                             |   | Fasteners  | A2 class - AISI 304  |   |   |
| Mechanical seal             | SiC<br>Ceramic/Graphite<br>Nitrile<br>Lubricant: AGIP ITE 360 | Impeller side<br>Motor side<br>O-rings and lip seal  |  |   |   |
| Accessories                 | Standard  | Screwed flange square type<br>Discharge threaded elbow<br>Quick Discharge Connector (QDC): PA type                   |  |   |   |
| Applicable standard of test |   | ISO 9906 Annex A   |  |   |   |
| <b>MOTOR</b>                | Type  | Three Phase<br>Dry motor, cooled by surrounding liquid<br>(Available also with cooling jacket)                       |  |   |   |
|                             | No. of Poles  | 4  | 6  | 8   |   |
|                             | Rotation speed [min <sup>-1</sup> ]                           | 1450   | 950  | 750   |   |
|                             | Insulation Class  | H  |  |   |   |
|                             | Protection degree   | IP 68  |  |   |   |
|                             | Power Rating [kW]   | 40 ÷ 48  | 9.8 ÷ 23   | 6 ÷ 9.3   |   |
|                             | Frequency [Hz]  | 50 -5/+3 %   |  |   |   |
|                             | Voltage [V]   | 400/690 ±10%   |  |   |   |
|                             | Starting  | DOL - Y/Δ  |  |   |   |
|                             | Over load protection  | Yes  |  |   |   |
|                             | Humidity probe  | Yes  |  |   |   |
|                             | Floating switch   | -  |  |   |   |
|                             | Cable   | material   | Neoprene H07RN/F   |   |   |
|                             |   | length [m]   | 10   |   |   |
|                             |   | size [mm]  | 12G2.5<br>10G4   | 200DRD59.8T6CG<br>200DRD514T6BG,<br>200DRD514T6AG,<br>200DRD515.8T6CG,<br>200DRD518.9T6BG | 10G4<br>12G2.5<br>200DRD56.2T8CG,<br>200DRD58T8AG |
| Bearings                    |   | Overdimensioned, life lubricated, maintenance free<br>Overdimensioned, double ball bearing with greasers (4-8 poles) |  |   |   |

|                             |                                     | <b>250DRD</b>  |  |           |
|-----------------------------|-------------------------------------|--|--|-----------|
| <b>PUMP</b>                 | Type of liquid                      | Dirty Waters   |  |           |
|                             | Max Temp. [°C]                      | <40°   |  |           |
|                             | Max solids size [mm]                | 73   | 250DRD515T4AG  |           |
|                             |                                     | 105  |  |           |
|                             | Submergence                         | Max [m]  | 20   |           |
|                             |                                     | Min [m]  | Refer to low water level (L.W.L.) and usage restriction in dimension   |           |
|                             | Construction                        | Impeller   | With channels  |           |
|                             |                                     | Shaft seal type  | Oil lubricated, single spring single mechanical seal + Lip Seal  |           |
|                             | Connection                          | Suction (*According to EN 1092-2) [mm]   | DN250*   |           |
|                             |                                     | Discharge (*According to EN 1092-2) [mm]   | DN250*   |           |
|                             | Materials                           | Casing   | Cast iron EN-GJL-250   |           |
|                             |                                     | Impeller   | Cast-iron EN-GJS-250   |           |
|                             |                                     | Suction Cover  | Cast iron EN-GJL-250   |           |
|                             |                                     | Shaft  | Stainless Steel AISI 420B/431  |           |
| Motor frame                 |                                     | Cast iron EN-GJL-250   |  |           |
| Fasteners                   |                                     | A2 class - AISI 304  |  |           |
|                             | Mechanical seal                     | SiC<br>Ceramic/Graphite<br>Nitrile<br>Lubricant: AGIP ITE 360  | Impeller side<br>Motor side<br>O-rings and lip seal  |           |
| Accessories                 | Standard                            | Screwed flange square type<br>Discharge threaded elbow<br>Quick Discharge Connector (QDC): PA type                   |  |           |
| Applicable standard of test |                                     | ISO 9906 Annex A   |  |           |
| <b>MOTOR</b>                | Type                                | Three Phase<br>Dry motor, cooled by surrounding liquid<br>(Available also with cooling jacket)                       |  |           |
|                             | No. of Poles                        | 4  | 6  | 8         |
|                             | Rotation speed [min <sup>-1</sup> ] | 1450   | 950  | 750       |
|                             | Insulation Class                    | H  |  |           |
|                             | Protection degree                   | IP 68  |  |           |
|                             | Power Rating [kW]                   | 15 + 85  | 23 + 39.2  | 12.4 + 19 |
|                             | Frequency [Hz]                      | 50 -5/+3 %   |  |           |
|                             | Voltage [V]                         | 400/690 ±10%   |  |           |
|                             | Starting                            | DOL - Y/Δ  |  |           |
|                             | Over load protection                | Yes  |  |           |
|                             | Humidity probe                      | Yes  |  |           |
|                             | Floating switch                     | -  |  |           |
|                             |                                     | material   | Neoprene H07RN/F   |           |
|                             |                                     | length [m]   | 10   |           |
| Cable                       | size [mm]                           | 2X4G25+4G2.5<br>10G4 250DRD515T4AG   | 10G4<br>2X4G10+4G2.5 250DRD517.1T8CG,<br>250DRD519T8AG,<br>250DRD523T6DG,<br>250DRD529T6CG,<br>250DRD539.2T6BG,<br>250DRD539.2T6AG |           |
| Bearings                    |                                     | Overdimensioned, life lubricated, maintenance free<br>Overdimensioned, double ball bearing with greasers (4-8 poles) |  |           |

| 300DRD                      |                                     |  |  |
|-----------------------------|-------------------------------------|--|--|
| <b>PUMP</b>                 | Type of liquid                      | Dirty Waters   |  |
|                             | Max Temp. [°C]                      | <40°   |  |
|                             | Max solids size [mm]                | 50x140   |  |
|                             | Submergence                         | Max [m]  | 20   |
|                             |                                     | Min [m]  | Refer to low water level (L.W.L.) and usage restriction in dimension |
|                             | Construction                        | Impeller   | With channels  |
|                             |                                     | Shaft seal type  | Oil lubricated, single spring single mechanical seal + Lip Seal      |
|                             | Connection                          | Suction (*According to EN 1092-2) [mm]   | DN350*   |
|                             |                                     | Discharge (*According to EN 1092-2) [mm]   | DN300*   |
|                             | Materials                           | Casing   | Cast iron EN-GJL-250   |
|                             |                                     | Impeller   | Cast-iron EN-GJS-250   |
|                             |                                     | Suction Cover  | Cast iron EN-GJL-250   |
|                             |                                     | Shaft  | Stainless Steel AISI 420B/431  |
|                             |                                     | Motor frame  | Cast iron EN-GJL-250   |
| Fasteners                   |                                     | A2 class - AISI 304  |  |
|                             | Mechanical seal                     | SiC Impeller side<br>Ceramic/Graphite Motor side<br>Nitrile O-rings and lip seal<br>Lubricant: AGIP ITE 360        |  |
| Accessories                 | Standard                            | Screwed flange square type<br>Discharge threaded elbow<br>Quick Discharge Connector (QDC): PA type                 |  |
| Applicable standard of test |                                     | ISO 9906 Annex A   |  |
| <b>MOTOR</b>                | Type                                | Three Phase<br>Dry motor, cooled by surrounding liquid<br>(Available also with cooling jacket)                     |  |
|                             | No. of Poles                        | 6 8  |  |
|                             | Rotation speed [min <sup>-1</sup> ] | 950 750  |  |
|                             | Insulation Class                    | H  |  |
|                             | Protection degree                   | IP 68  |  |
|                             | Power Rating [kW]                   | 33.4 ÷ 65 21.8 ÷ 26.7  |  |
|                             | Frequency [Hz]                      | 50 -5/+3 %   |  |
|                             | Voltage [V]                         | 400/690 ±10%   |  |
|                             | Starting                            | DOL - Y/Δ  |  |
|                             | Over load protection                | Yes  |  |
|                             | Humidity probe                      | Yes  |  |
|                             | Floating switch                     | -  |  |
|                             | Cable                               | material   | Neoprene H07RN/F   |
|                             |                                     | length [m]   | 10   |
|                             |                                     | size [mm]  | 2X4G10+4G2.5<br>2X4G25+4G2.5 300DRD555.8T6BG, 300DRD565T6AG          |
|                             | Bearings                            | Overdimensioned, life lubricated, maintenance free<br>Overdimensioned, double ball bearing with greasers (8 poles) |  |



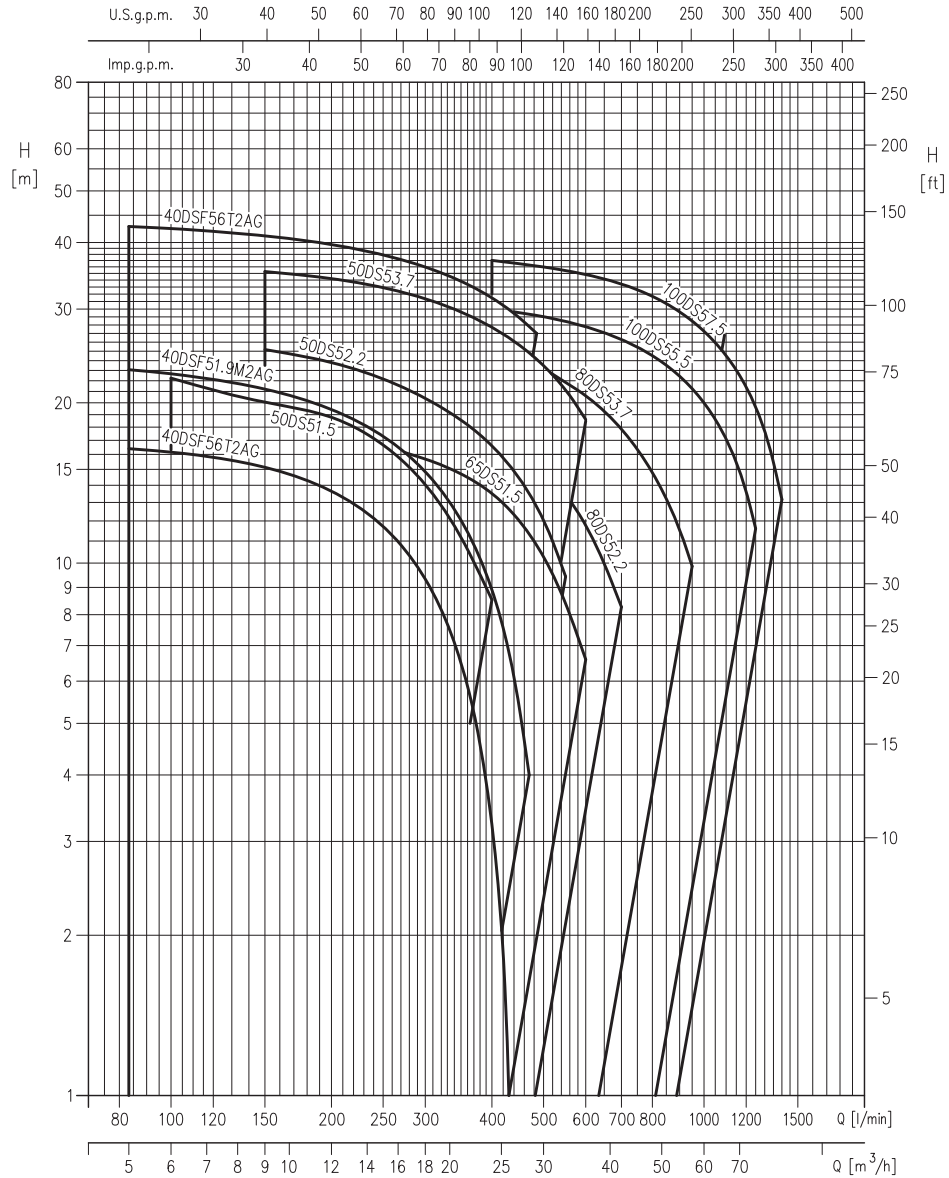
| <b>350DRD</b>               |   |  |  |
|-----------------------------|---|--|--|
| <b>PUMP</b>                 | Type of liquid  | Dirty Waters   |  |
|                             | Max Temp. [°C]  | <40°   |  |
|                             | Max solids size [mm]  | 112  |  |
|                             | Submergence   | Max [m]  | 20   |
|                             |   | Min [m]  | Refer to low water level (L.W.L.) and usage restriction in dimension |
|                             | Construction  | Impeller   | With channels  |
|                             |   | Shaft seal type  | Oil lubricated, single spring single mechanical seal + Lip Seal      |
|                             | Connection  | Suction (*According to EN 1092-2) [mm]   | DN400*   |
|                             |   | Discharge (*According to EN 1092-2) [mm]   | DN350*   |
|                             | Materials   | Casing   | Cast iron EN-GJL-250   |
|                             |   | Impeller   | Cast-iron EN-GJS-250   |
|                             |   | Suction Cover  | Cast iron EN-GJL-250   |
|                             |   | Shaft  | Stainless Steel AISI 420B/431  |
|                             |   | Motor frame  | Cast iron EN-GJL-250   |
|                             |   | Fasteners  | A2 class - AISI 304  |
| Mechanical seal             | SiC Impeller side<br>Ceramic/Graphite Motor side<br>Nitrile O-rings and lip seal<br>Lubricant: AGIP ITE 360 |  |  |
| Accessories                 | Standard  | Screwed flange square type<br>Discharge threaded elbow<br>Quick Discharge Connector (QDC): PA type |  |
| Applicable standard of test |   | ISO 9906 Annex A   |  |
| <b>MOTOR</b>                | Type  | Three Phase<br>Dry motor, cooled by surrounding liquid<br>(Available also with cooling jacket)     |  |
|                             | No. of Poles  | 8  |  |
|                             | Rotation speed [min <sup>-1</sup> ]   | 750  |  |
|                             | Insulation Class  | H  |  |
|                             | Protection degree   | IP 68  |  |
|                             | Power Rating [kW]   | 40 ÷ 45  |  |
|                             | Frequency [Hz]  | 50 -5/+3 %   |  |
|                             | Voltage [V]   | 400/690 ±10%   |  |
|                             | Starting  | DOL - Y/Δ  |  |
|                             | Over load protection  | Yes  |  |
|                             | Humidity probe  | Yes  |  |
|                             | Floating switch   | -  |  |
|                             | Cable   | material   | Neoprene H07RN/F   |
| length [m]                  |   | 10   |  |
| size [mm]                   |   | 2X4G25+4G2.5   |  |
| Bearings                    |   | Overdimensioned, double ball bearing with greasers   |  |

SELECTION CHART

50 Hz

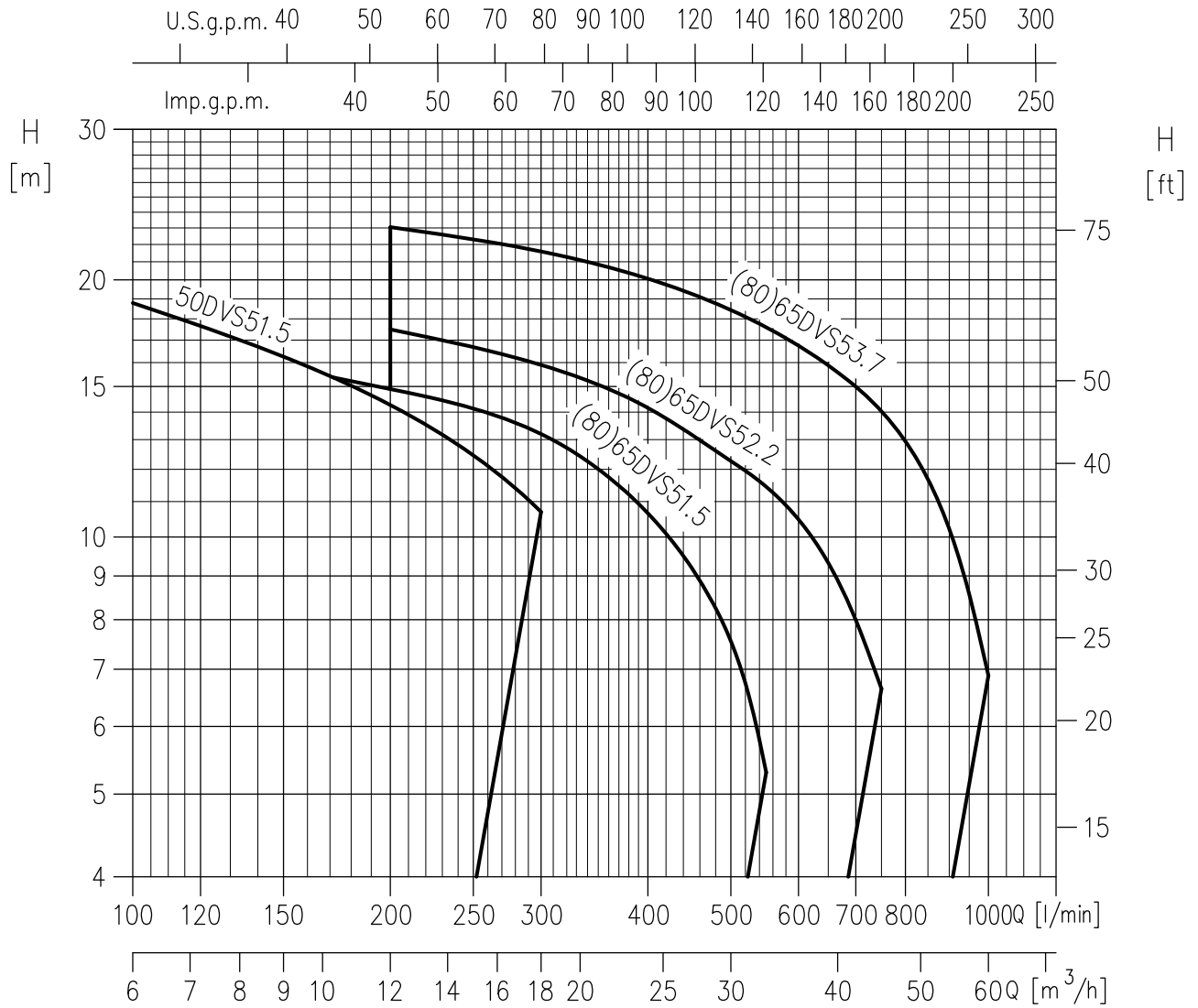
Rev. E

DS-DSF



| Pump Type                         | Power |      | Q=Capacity        |      |      |      |      |      |      |      |      |      |      |      |      |      |      |      |      |      |      |      |      |      |      |      |      |   |  |  |
|-----------------------------------|-------|------|-------------------|------|------|------|------|------|------|------|------|------|------|------|------|------|------|------|------|------|------|------|------|------|------|------|------|---|--|--|
|                                   | [kW]  | [HP] | l/min             | 83   | 100  | 150  | 200  | 250  | 300  | 400  | 433  | 450  | 467  | 473  | 483  | 500  | 550  | 580  | 600  | 700  | 800  | 950  | 1000 | 1170 | 1200 | 1250 | 1400 |   |  |  |
|                                   |       |      | m <sup>3</sup> /h | 5    | 6    | 9    | 12   | 15   | 18   | 24   | 26   | 27   | 28   | 28.4 | 29   | 30   | 33   | 34.8 | 36   | 42   | 48   | 57   | 60   | 70.2 | 72   | 75   | 84   |   |  |  |
| H=Total manometric head in meters |       |      |                   |      |      |      |      |      |      |      |      |      |      |      |      |      |      |      |      |      |      |      |      |      |      |      |      |   |  |  |
| 40DSF51.5M2CG                     | 1.5   | 2    | 16.9              | 16.4 | 16.2 | 15.1 | 13.6 | 11.7 | 9.3  | 3.2  | 0.8  | -    | -    | -    | -    | -    | -    | -    | -    | -    | -    | -    | -    | -    | -    | -    | -    | - |  |  |
| 40DSF51.9M2AG                     | 1.9   | 2.5  | 24.6              | 23.1 | 22.7 | 21.2 | 19.4 | 17.3 | 14.8 | 8.9  | 6.6  | 5.4  | 4.2  | -    | -    | -    | -    | -    | -    | -    | -    | -    | -    | -    | -    | -    | -    | - |  |  |
| 40DSF56T2AG                       | 6     | 8    | 45                | 43   | 42.5 | 41   | 39.6 | 37.9 | 36   | 31.5 | 30   | 28.9 | 28   | 27.7 | 27.1 | -    | -    | -    | -    | -    | -    | -    | -    | -    | -    | -    | -    | - |  |  |
| 50DS51.5                          | 1.5   | 2    | 24                | -    | 22.3 | 20.7 | 18.8 | 16.5 | 14   | 8.5  | -    | -    | -    | -    | -    | -    | -    | -    | -    | -    | -    | -    | -    | -    | -    | -    | -    | - |  |  |
| 50DS52.2                          | 2.2   | 3    | 27                | -    | 25.2 | 23.7 | 22.1 | 20.4 | 16.6 | 15.2 | 14.4 | 13.6 | 13.3 | 12.9 | 12   | 9.4  | -    | -    | -    | -    | -    | -    | -    | -    | -    | -    | -    | - |  |  |
| 50DS53.7                          | 3.7   | 5    | 37.4              | -    | 35.3 | 34.2 | 32.9 | 31.4 | 27.7 | 26.4 | 25.7 | 25.0 | 24.6 | 24.2 | 23.5 | 21.1 | 19.5 | 18.6 | -    | -    | -    | -    | -    | -    | -    | -    | -    | - |  |  |
| 65DS51.5                          | 1.5   | 2    | 18                | -    | 17.5 | 17.1 | 16.5 | 15.7 | 13.5 | 12.5 | 12   | 11   | 11.2 | 10.9 | 10.3 | 8.5  | 7.3  | 6.6  | -    | -    | -    | -    | -    | -    | -    | -    | -    | - |  |  |
| 80DS52.2                          | 2.2   | 3    | 22                | -    | 20.8 | 20.2 | 19.4 | 17.6 | 16.8 | 16.4 | 15.9 | 15.8 | 15.5 | 15   | 13.4 | 12.5 | 11.8 | 8.3  | -    | -    | -    | -    | -    | -    | -    | -    | -    | - |  |  |
| 80DS53.7                          | 3.7   | 5    | 27.5              | -    | 26.3 | 25.8 | 24.6 | 24.0 | 23.7 | 23.5 | 23.3 | 23.1 | 22.8 | 21.8 | 21.2 | 20.6 | 17.8 | 14.8 | 9.9  | -    | -    | -    | -    | -    | -    | -    | -    | - |  |  |
| 100DS55.5                         | 5.5   | 7.5  | 31.6              | -    | -    | -    | -    | 30.7 | 30   | 30   | 29.5 | 29.4 | 29.3 | 29.2 | 29   | 28.4 | 28   | 27.8 | 26.3 | 24.5 | 21.3 | 20.0 | 14.8 | 13.6 | 11.6 | -    | -    |   |  |  |
| 100DS57.5                         | 7.5   | 10   | 39.2              | -    | -    | -    | -    | -    | 37   | 37   | 36.6 | 36.4 | 36.3 | 36.2 | 36   | 35.5 | 35.1 | 34.8 | 33.4 | 31.7 | 28.5 | 27.3 | 22.5 | 21.4 | 19.7 | 13.2 | -    |   |  |  |

**DVS**



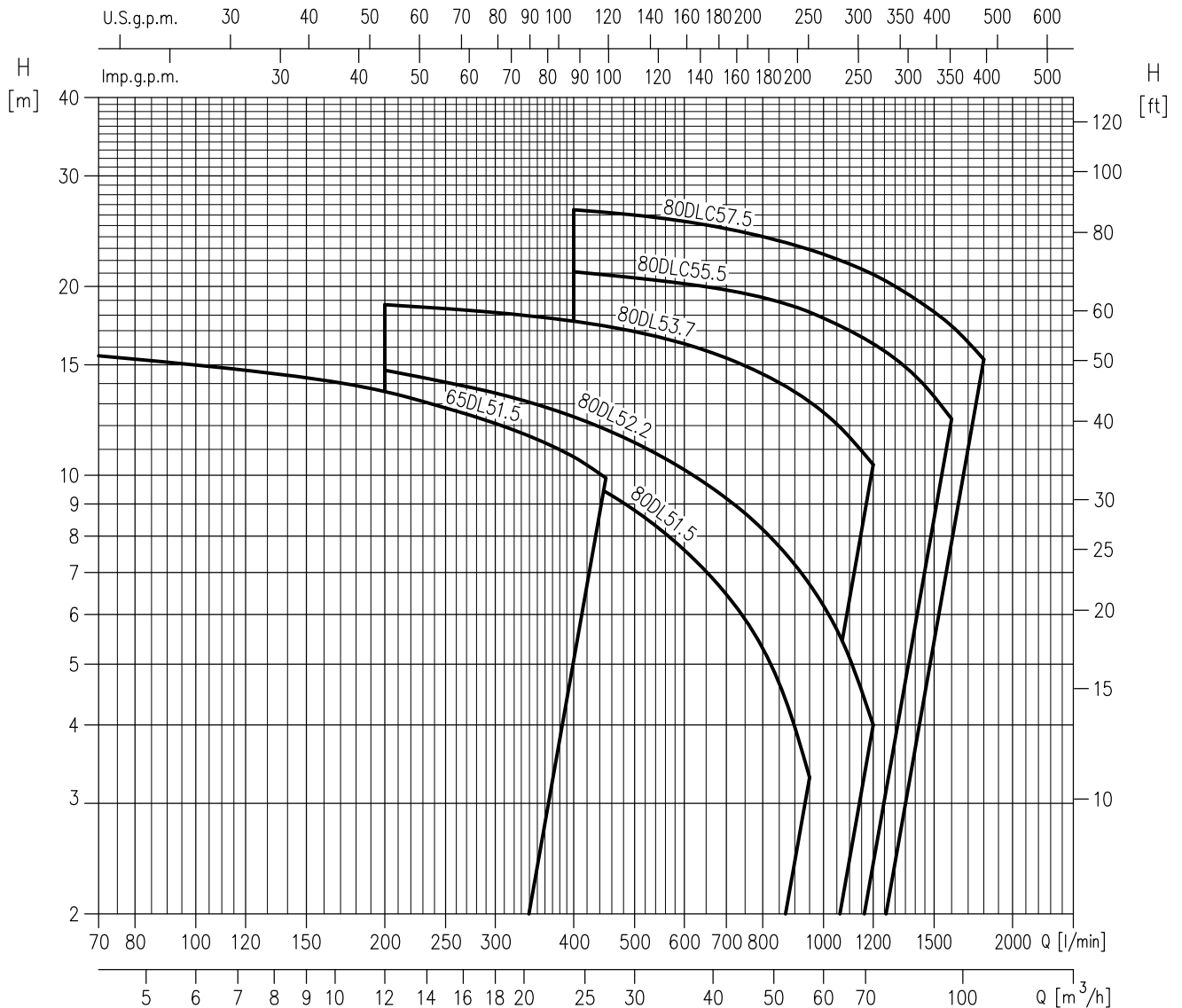
| Pump Type     | Power |      | Q=Capacity                        |      |      |      |      |      |      |      |      |      |      |      |      |  |
|---------------|-------|------|-----------------------------------|------|------|------|------|------|------|------|------|------|------|------|------|--|
|               | [kW]  | [HP] | l/min 0                           | 100  | 150  | 200  | 300  | 400  | 500  | 550  | 600  | 700  | 750  | 900  | 1000 |  |
|               |       |      | H=Total manometric head in meters |      |      |      |      |      |      |      |      |      |      |      |      |  |
|               |       |      | m³/h 0                            | 6    | 9    | 12   | 18   | 24   | 30   | 33   | 36   | 42   | 45   | 54   | 60   |  |
| 50DVS51.5     | 1.5   | 2    | 22.0                              | 18.8 | 16.6 | 14.3 | 10.7 | -    | -    | -    | -    | -    | -    | -    | -    |  |
| (80)65DVS51.5 | 1.5   | 2    | 18.6                              | -    | 15.8 | 14.9 | 13.2 | 10.9 | 7.6  | 5.3  | -    | -    | -    | -    | -    |  |
| (80)65DVS52.2 | 2.2   | 3    | 20.3                              | -    | -    | 17.5 | 15.9 | 14.2 | 12.3 | 11.5 | 10.5 | 8.1  | 6.6  | -    | -    |  |
| (80)65DVS53.7 | 3.7   | 5    | 25.7                              | -    | -    | 23.0 | 21.6 | 20.1 | 18.4 | 17.6 | 16.7 | 15.0 | 14.0 | 10.4 | 6.9  |  |

**SELECTION CHART**

**50 Hz**

Rev. E

**65DL, 80DL**



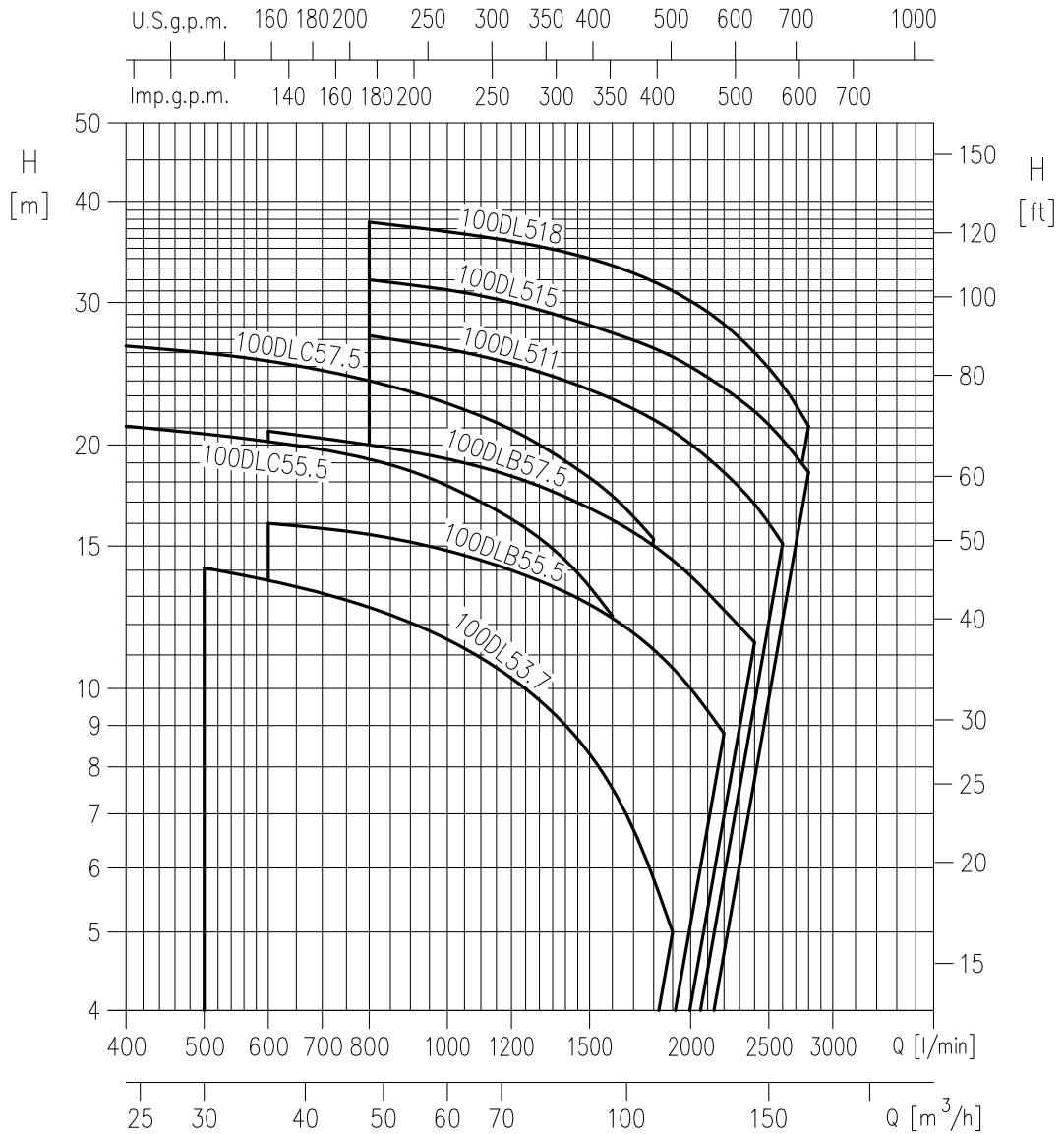
| Pump Type                         | Power |      | Q=Capacity |      |      |      |      |      |      |      |      |      |      |      |      |      |
|-----------------------------------|-------|------|------------|------|------|------|------|------|------|------|------|------|------|------|------|------|
|                                   | [kW]  | [HP] | l/min      | 70   | 150  | 200  | 400  | 450  | 600  | 800  | 950  | 1000 | 1200 | 1400 | 1600 | 1800 |
|                                   |       |      | m³/h       | 4    | 9    | 12   | 24   | 27   | 36   | 48   | 57   | 60   | 72   | 84   | 96   | 108  |
| H=Total manometric head in meters |       |      |            |      |      |      |      |      |      |      |      |      |      |      |      |      |
| 65DL51.5                          | 1.5   | 2    | 16.4       | 15.5 | 14.3 | 13.6 | 10.7 | 9.9  | -    | -    | -    | -    | -    | -    | -    | -    |
| 80DL51.5                          | 1.5   | 2    | 14.0       | -    | -    | 12.2 | 10.0 | 9.4  | 7.6  | 5.3  | 3.3  | -    | -    | -    | -    | -    |
| 80DL52.2                          | 2.2   | 3    | 17.1       | -    | -    | 14.7 | 12.4 | 11.8 | 10.2 | 8.2  | 6.7  | 6.2  | 4.0  | -    | -    | -    |
| 80DL53.7                          | 3.7   | 5    | 19.4       | -    | -    | 18.7 | 17.6 | 17.3 | 16.2 | 14.5 | 13.1 | 12.6 | 10.4 | -    | -    | -    |
| 80DLC55.5                         | 5.5   | 7.5  | 22.2       | -    | -    | -    | 21.1 | 20.9 | 20.2 | 19.2 | 18.2 | 17.8 | 16.2 | 14.4 | 12.3 | -    |
| 80DLC57.5                         | 7.5   | 10   | 28.0       | -    | -    | -    | 26.5 | 26.3 | 25.4 | 24.0 | 22.9 | 22.5 | 20.9 | 19.1 | 17.3 | 15.3 |

**SELECTION CHART**

50 Hz

Rev. E

**100DL**



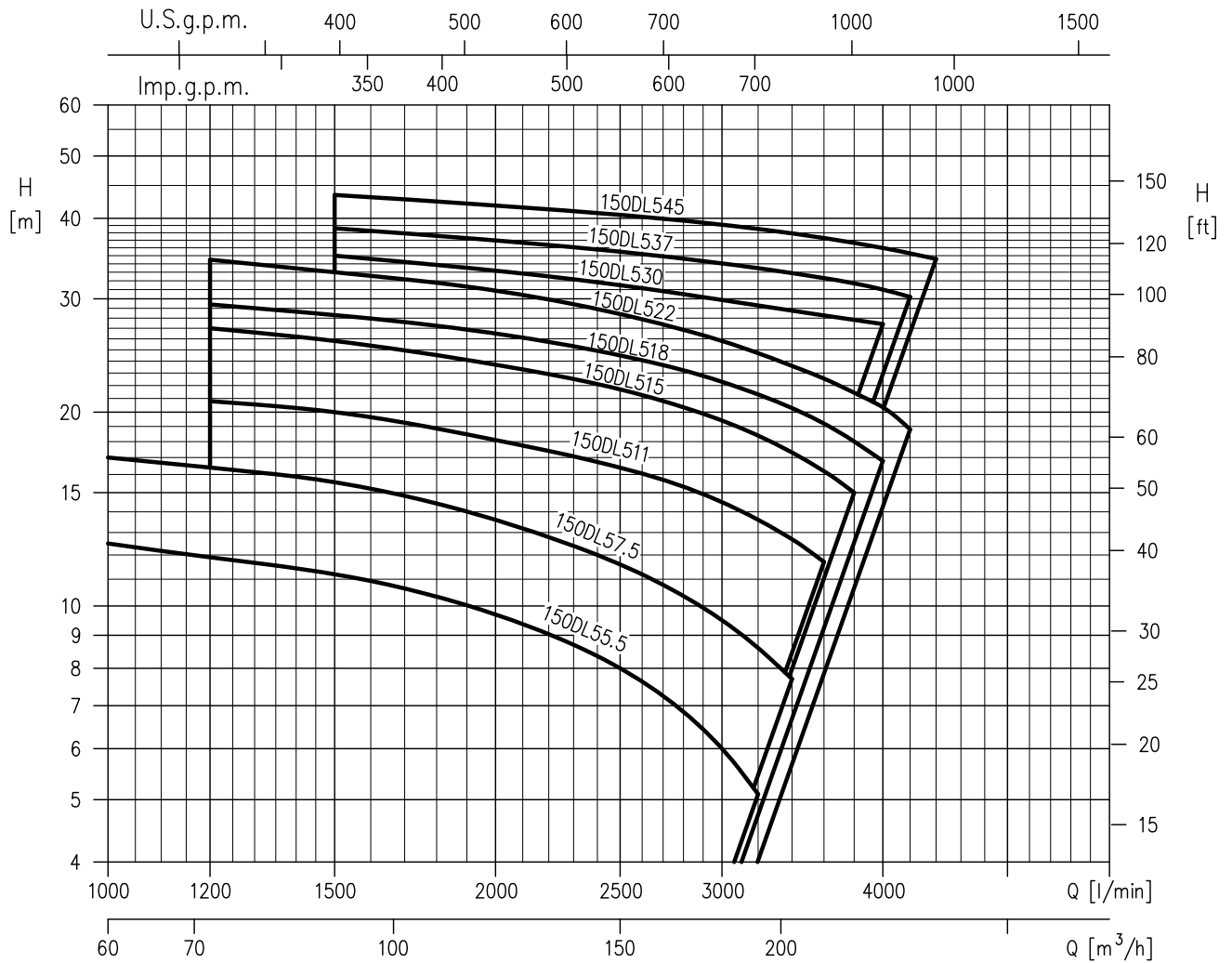
| Pump Type                         | Power |      | Q=Capacity |      |      |      |      |      |      |      |      |      |      |      |      |      |      |
|-----------------------------------|-------|------|------------|------|------|------|------|------|------|------|------|------|------|------|------|------|------|
|                                   | [kW]  | [HP] | l/min      | 0    | 400  | 500  | 600  | 800  | 1200 | 1500 | 1600 | 1800 | 1900 | 2200 | 2400 | 2600 | 2800 |
|                                   |       |      | m³/h       | 0    | 24   | 30   | 36   | 48   | 72   | 90   | 96   | 108  | 114  | 132  | 144  | 156  | 168  |
| H=Total manometric head in meters |       |      |            |      |      |      |      |      |      |      |      |      |      |      |      |      |      |
| 100DLC55.5                        | 5.5   | 7.5  | 22.2       | 21.1 | 20.7 | 20.2 | 19.2 | 16.2 | 13.3 | 12.3 | -    | -    | -    | -    | -    | -    | -    |
| 100DLC57.5                        | 7.5   | 10   | 28.0       | 26.5 | 25.9 | 25.4 | 24.0 | 20.9 | 18.3 | 17.3 | 15.3 | -    | -    | -    | -    | -    | -    |
| 100DL53.7                         | 3.7   | 5    | 16.0       | -    | 14.1 | 13.6 | 12.6 | 10.3 | 8.3  | 7.5  | 5.9  | 5.0  | -    | -    | -    | -    | -    |
| 100DLB55.5                        | 5.5   | 7.5  | 17.0       | -    | -    | 16.0 | 15.5 | 14.0 | 12.7 | 12.2 | 11.1 | 10.6 | 8.8  | -    | -    | -    | -    |
| 100DLB57.5                        | 7.5   | 10   | 22.5       | -    | -    | 20.8 | 20.0 | 18.3 | 16.7 | 16.1 | 15.1 | 15.0 | 12.5 | 11.4 | -    | -    | -    |
| 100DL511                          | 11    | 15   | 30.4       | -    | -    | -    | 27.3 | 25.2 | 23.4 | 22.8 | 21.5 | 20.8 | 18.5 | 16.9 | 15.1 | -    | -    |
| 100DL515                          | 15    | 20   | 33.9       | -    | -    | -    | 32.0 | 30.0 | 28.1 | 27.6 | 26.4 | 25.7 | 23.5 | 22.0 | 20.3 | 18.5 | -    |
| 100DL518.5                        | 18.5  | 25   | 41.0       | -    | -    | -    | 37.7 | 35.7 | 34.0 | 33.4 | 31.9 | 31.0 | 28.2 | 26.0 | 23.7 | 21.1 | -    |

**SELECTION CHART**

**50 Hz**

Rev. E

**150DL**



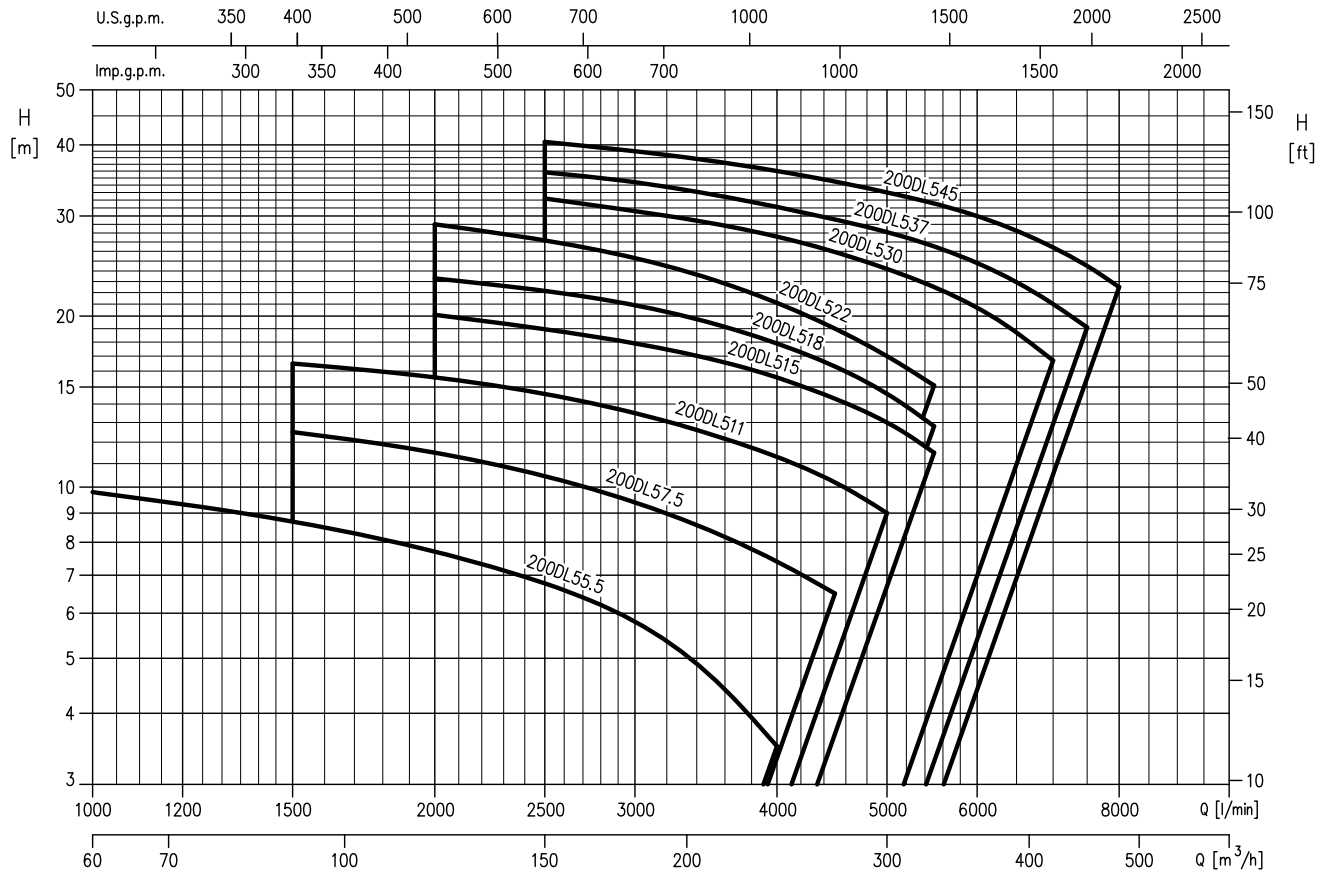
| Pump Type                         | Power |      | Q=Capacity |      |      |      |      |      |      |      |      |      |      |      |      |      |
|-----------------------------------|-------|------|------------|------|------|------|------|------|------|------|------|------|------|------|------|------|
|                                   |       |      | l/min      | 1000 | 1200 | 1500 | 2000 | 2500 | 3000 | 3200 | 3400 | 3500 | 3600 | 3800 | 4000 | 4200 |
|                                   | [kW]  | [HP] | 0          | 60   | 72   | 90   | 120  | 150  | 180  | 192  | 204  | 210  | 216  | 228  | 240  | 252  |
| H=Total manometric head in meters |       |      |            |      |      |      |      |      |      |      |      |      |      |      |      |      |
| 150DL55.5                         | 5.5   | 7.5  | 15.8       | 12.5 | 11.9 | 11.2 | 9.7  | 8.0  | 6.0  | 5.1  | -    | -    | -    | -    | -    | -    |
| 150DL57.5                         | 7.5   | 10   | 19.6       | 17.0 | 16.4 | 15.2 | 13.6 | 11.6 | 9.5  | 8.6  | 7.7  | -    | -    | -    | -    | -    |
| 150DL511                          | 11    | 15   | 24.7       | -    | 20.8 | 20.0 | 18.1 | 16.4 | 14.5 | 13.6 | 12.7 | 12.2 | 11.7 | -    | -    | -    |
| 150DL515                          | 15    | 20   | 31.4       | -    | 27.0 | 25.8 | 23.7 | 21.7 | 19.4 | 18.4 | 17.3 | 16.8 | 16.2 | 15.0 | -    | -    |
| 150DL518.5                        | 18.5  | 25   | 32.5       | -    | 29.4 | 28.3 | 26.5 | 24.5 | 22.3 | 21.3 | 20.3 | 19.8 | 19.2 | 18.0 | 16.8 | -    |
| 150DL522                          | 22    | 30   | 38.7       | -    | 34.5 | 33.0 | 30.9 | 28.4 | 25.8 | 24.7 | 23.6 | 23.0 | 22.4 | 21.2 | 20.5 | 18.8 |
| 150DL530                          | 30    | 40   | 39.0       | -    | -    | 35.0 | 33.2 | 31.5 | 29.9 | 29.3 | 28.8 | 28.5 | 28.3 | 27.8 | 27.4 | -    |
| 150DL537                          | 37    | 50   | 43.0       | -    | -    | 38.6 | 37.0 | 35.5 | 34.1 | 33.5 | 32.9 | 32.6 | 32.3 | 31.7 | 31.0 | 30.2 |
| 150DL545                          | 45    | 60   | 48.0       | -    | -    | 43.5 | 42.0 | 40.5 | 39.1 | 38.5 | 37.9 | 37.6 | 37.3 | 36.7 | 36.0 | 35.3 |

SELECTION CHART

50 Hz

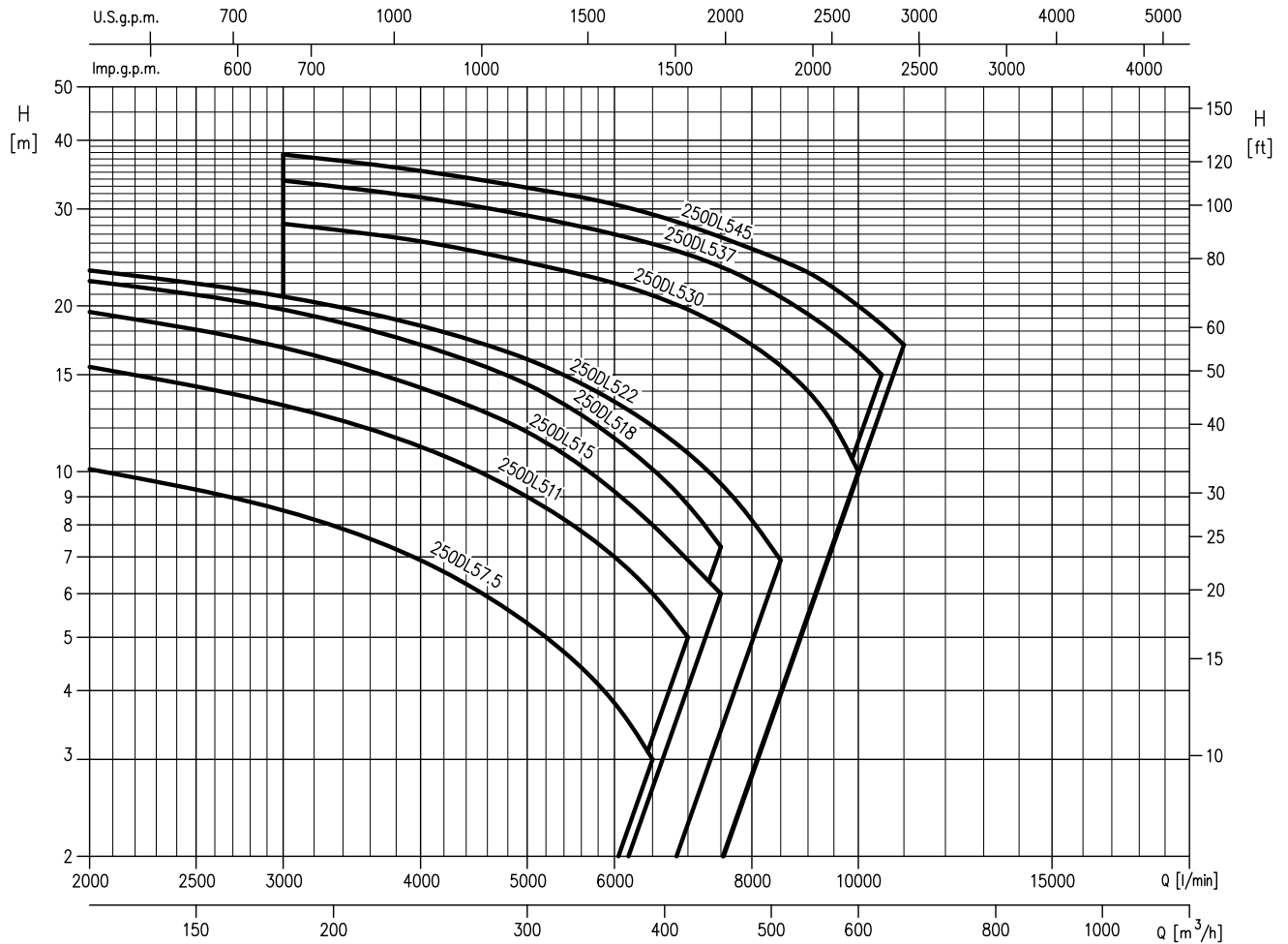
Rev. E

**200DL**



| Pump Type                         | Power |      | Q=Capacity |     |      |      |      |      |      |      |      |      |      |      |      |      |      |
|-----------------------------------|-------|------|------------|-----|------|------|------|------|------|------|------|------|------|------|------|------|------|
|                                   | [kW]  | [HP] | l/min      | 0   | 1000 | 1500 | 2000 | 2500 | 3000 | 4000 | 4500 | 5000 | 5500 | 6000 | 7000 | 7500 | 8000 |
|                                   |       |      | m³/h       | 0   | 60   | 90   | 120  | 150  | 180  | 240  | 270  | 300  | 330  | 360  | 420  | 450  | 480  |
| H=Total manometric head in meters |       |      |            |     |      |      |      |      |      |      |      |      |      |      |      |      |      |
| 200DL55.5                         | 5.5   | 7.5  | 12.0       | 9.8 | 8.7  | 7.7  | 6.8  | 5.8  | 3.5  | -    | -    | -    | -    | -    | -    | -    | -    |
| 200DL57.5                         | 7.5   | 10   | 15.5       | -   | 12.5 | 11.5 | 10.5 | 9.4  | 7.4  | 6.5  | -    | -    | -    | -    | -    | -    | -    |
| 200DL511                          | 11    | 15   | 19.7       | -   | 16.5 | 15.6 | 14.6 | 13.5 | 11.3 | 10.2 | 9.0  | -    | -    | -    | -    | -    | -    |
| 200DL515                          | 15    | 20   | 23.9       | -   | -    | 20.1 | 19.0 | 17.9 | 15.6 | 14.3 | 13.0 | 11.5 | -    | -    | -    | -    | -    |
| 200DL518.5                        | 18.5  | 25   | 26.5       | -   | -    | 23.3 | 22.2 | 20.9 | 17.9 | 16.3 | 14.6 | 12.8 | -    | -    | -    | -    | -    |
| 200DL522                          | 22    | 30   | 34.9       | -   | -    | 29.0 | 27.2 | 25.3 | 21.1 | 19.0 | 17.0 | 15.1 | -    | -    | -    | -    | -    |
| 200DL530                          | 30    | 40   | 39.7       | -   | -    | -    | 32.2 | 30.6 | 27.6 | 25.9 | 24.2 | 22.5 | 20.7 | 16.7 | -    | -    | -    |
| 200DL537                          | 37    | 50   | 43.0       | -   | -    | -    | 35.8 | 34.4 | 31.1 | 29.6 | 28.1 | 26.5 | 24.8 | 21.0 | 19.1 | -    | -    |
| 200DL545                          | 45    | 60   | 48.0       | -   | -    | -    | 40.5 | 39.0 | 36.0 | 34.5 | 33.0 | 31.5 | 30.0 | 26.4 | 24.5 | 22.5 | -    |

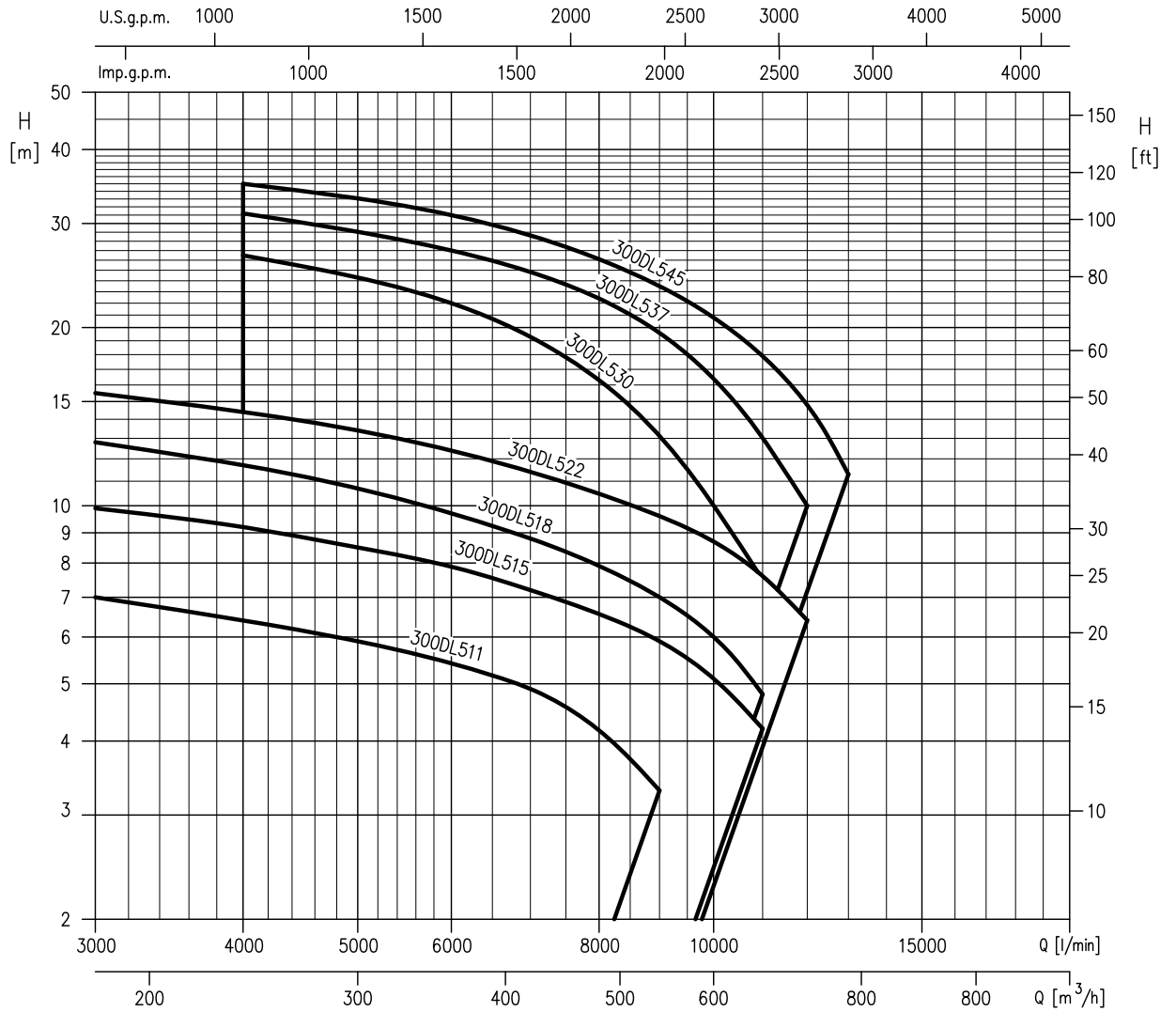
250DL



| Pump Type                         | Power |      | Q=Capacity |      |      |      |      |      |      |      |      |      |      |      |       |       |       |   |
|-----------------------------------|-------|------|------------|------|------|------|------|------|------|------|------|------|------|------|-------|-------|-------|---|
|                                   | [kW]  | [HP] | l/min      | 2000 | 3000 | 4000 | 5000 | 6000 | 6500 | 7000 | 7500 | 8000 | 8500 | 9000 | 10000 | 10500 | 11000 |   |
|                                   |       |      | m³/h       | 120  | 180  | 240  | 300  | 360  | 390  | 420  | 450  | 480  | 510  | 540  | 600   | 630   | 660   |   |
| H=Total manometric head in meters |       |      |            |      |      |      |      |      |      |      |      |      |      |      |       |       |       |   |
| 250DL57.5                         | 7.5   | 10   | 13.6       | 10.1 | 8.5  | 6.9  | 5.3  | 3.8  | 3.0  | -    | -    | -    | -    | -    | -     | -     | -     | - |
| 250DL511                          | 11    | 15   | 20.2       | 15.5 | 13.2 | 11.1 | 9.0  | 7.0  | 6.0  | 5.0  | -    | -    | -    | -    | -     | -     | -     | - |
| 250DL515                          | 15    | 20   | 25.2       | 19.5 | 16.8 | 14.2 | 11.8 | 9.2  | 8.0  | 6.9  | 6.0  | -    | -    | -    | -     | -     | -     | - |
| 250DL518.5                        | 18.5  | 25   | 27.0       | 22.2 | 19.7 | 17.0 | 14.4 | 11.5 | 10.1 | 8.7  | 7.3  | -    | -    | -    | -     | -     | -     | - |
| 250DL522                          | 22    | 30   | 27.8       | 23.2 | 20.8 | 18.4 | 16.0 | 13.4 | 12.1 | 10.8 | 9.5  | 8.2  | 6.9  | -    | -     | -     | -     | - |
| 250DL530                          | 30    | 40   | 36.0       | -    | 28.2 | 26.2 | 24.0 | 22.0 | 20.9 | 19.7 | 18.4 | 17.0 | 15.6 | 14.0 | 10.0  | -     | -     | - |
| 250DL537                          | 37    | 50   | 40.0       | -    | 33.8 | 31.5 | 29.2 | 27.0 | 25.9 | 24.8 | 23.5 | 22.2 | 20.8 | 19.3 | 16.5  | 15.0  | -     | - |
| 250DL545                          | 45    | 60   | 45.0       | -    | 37.7 | 35.2 | 32.8 | 30.6 | 29.3 | 28.0 | 26.7 | 25.4 | 24.2 | 23.0 | 20.0  | 18.5  | 17.0  | - |



300DL



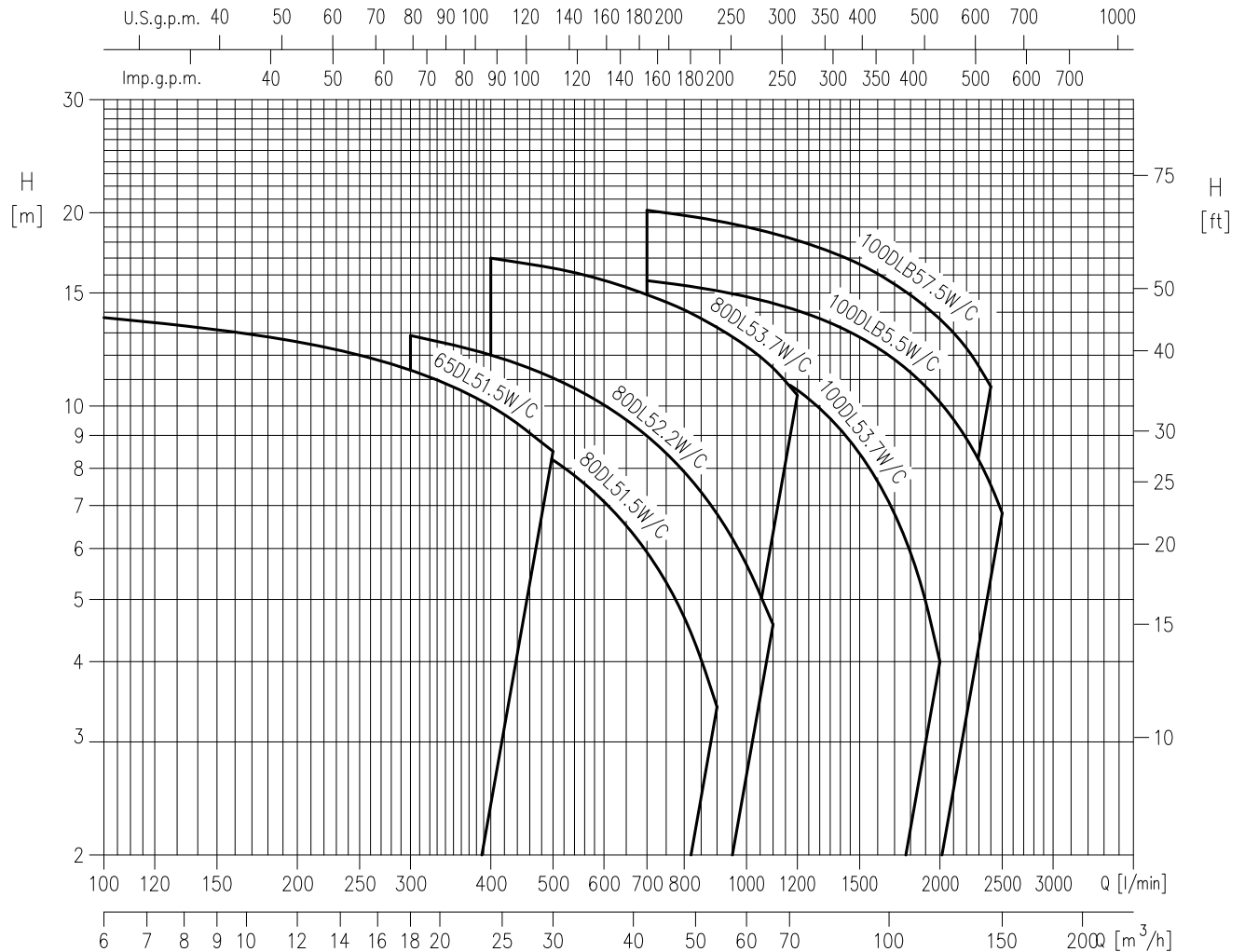
| Pump Type  | Power |      | Q=Capacity                        |      |      |      |      |      |      |      |       |       |       |       |
|------------|-------|------|-----------------------------------|------|------|------|------|------|------|------|-------|-------|-------|-------|
|            | [kW]  | [HP] | l/min 0                           | 3000 | 4000 | 5000 | 6000 | 7000 | 8000 | 9000 | 10000 | 11000 | 12000 | 13000 |
|            |       |      | m³/h 0                            | 180  | 240  | 300  | 360  | 420  | 480  | 540  | 600   | 660   | 720   | 780   |
|            |       |      | H=Total manometric head in meters |      |      |      |      |      |      |      |       |       |       |       |
| 300DL511   | 11    | 15   | 9.2                               | 7.0  | 6.4  | 5.9  | 5.5  | 4.9  | 4.2  | 3.3  | -     | -     | -     | -     |
| 300DL515   | 15    | 20   | 12.2                              | 9.9  | 9.2  | 8.5  | 8.0  | 7.2  | 6.6  | 5.9  | 5.1   | 4.2   | -     | -     |
| 300DL518.5 | 18.5  | 25   | 16.6                              | 12.8 | 11.7 | 10.7 | 9.7  | 8.8  | 7.9  | 7.0  | 6.0   | 4.8   | -     | -     |
| 300DL522   | 22    | 30   | 19.0                              | 15.5 | 14.4 | 13.4 | 12.4 | 11.4 | 10.5 | 9.6  | 8.7   | 7.6   | 6.4   | -     |
| 300DL530   | 30    | 40   | 36.0                              | -    | 26.5 | 24.4 | 22.0 | 19.3 | 16.3 | 13.1 | 10.0  | 7.5   | -     | -     |
| 300DL537   | 37    | 50   | 40.0                              | -    | 31.2 | 29.2 | 27.0 | 24.8 | 22.4 | 19.6 | 16.4  | 13.0  | 10.0  | -     |
| 300DL545   | 45    | 60   | 45.0                              | -    | 35.0 | 33.1 | 31.0 | 28.6 | 26.1 | 23.5 | 20.8  | 17.9  | 14.8  | 11.3  |

**SELECTION CHART**

**50 Hz**

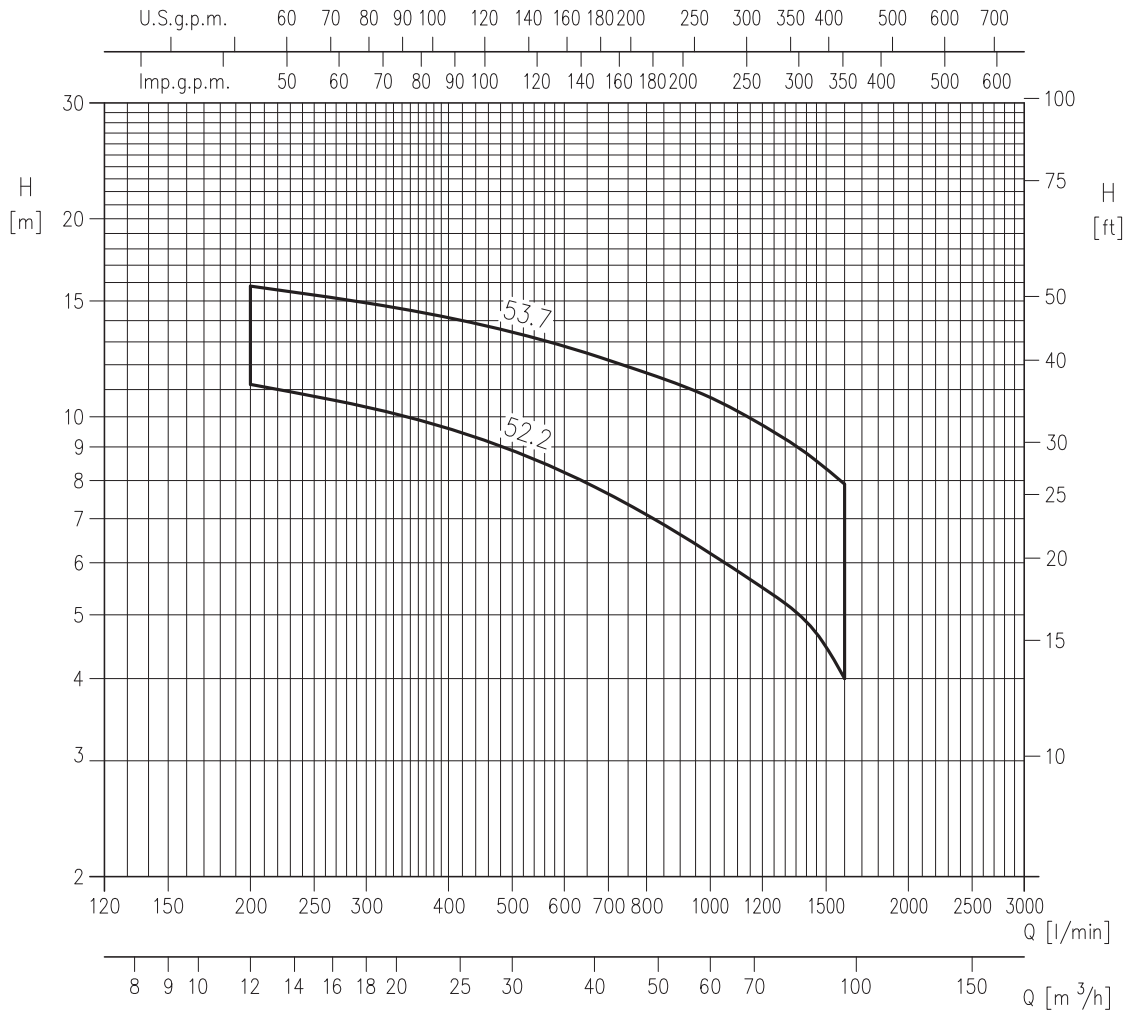
Rev. E

**DL W/C**



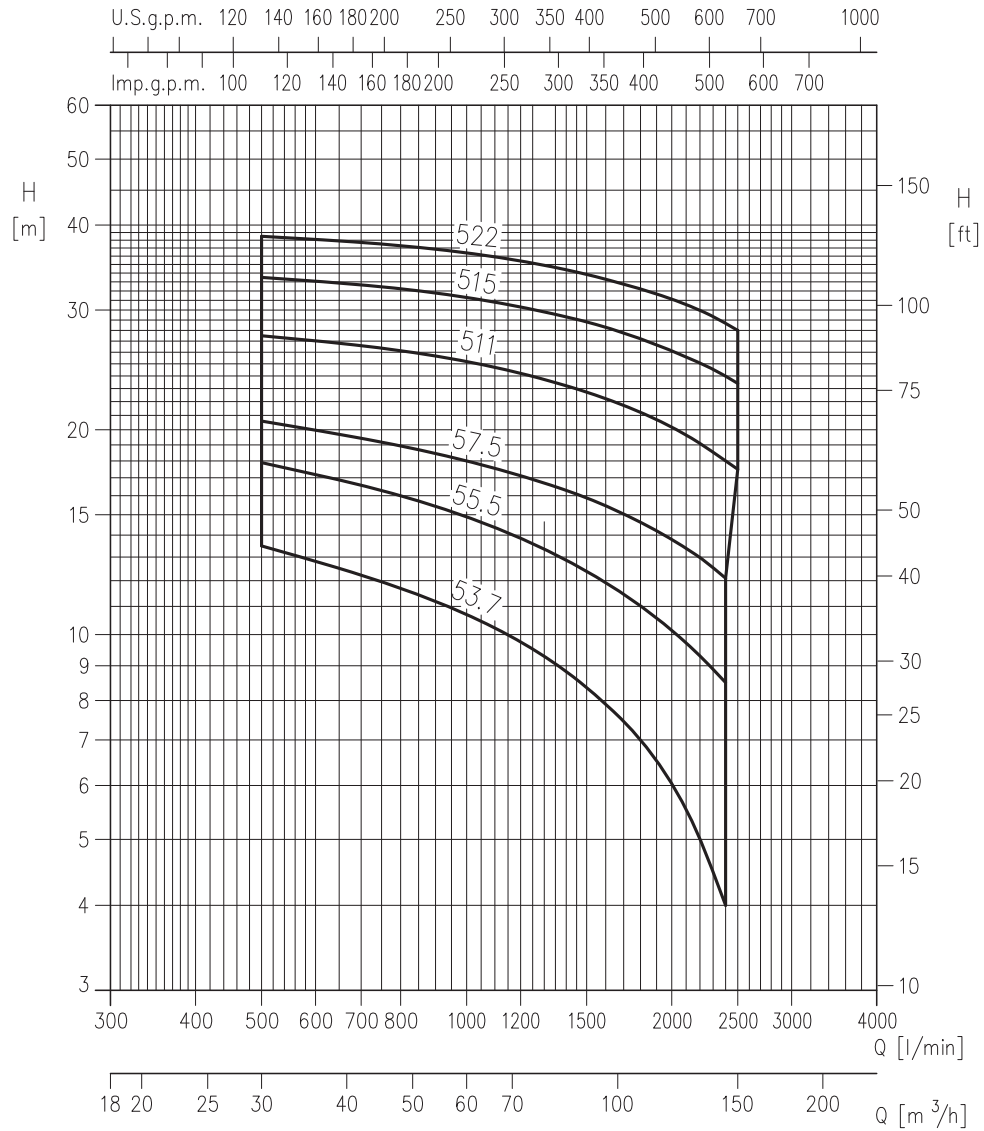
| Pump Type                         | Power |      | Q=Capacity |      |      |      |      |      |      |      |      |      |      |      |      |      |      |
|-----------------------------------|-------|------|------------|------|------|------|------|------|------|------|------|------|------|------|------|------|------|
|                                   |       |      | l/min      | 100  | 250  | 300  | 400  | 500  | 700  | 900  | 1000 | 1100 | 1200 | 1400 | 1600 | 2000 | 2400 |
|                                   | [kW]  | [HP] | m³/h       | 6    | 15   | 18   | 24   | 30   | 42   | 54   | 60   | 66   | 72   | 84   | 96   | 120  | 144  |
| H=Total manometric head in meters |       |      |            |      |      |      |      |      |      |      |      |      |      |      |      |      |      |
| 65DL51.5W/C                       | 1.5   | 2    | 14.8       | 13.7 | 12.0 | 11.4 | 10.0 | 8.5  | -    | -    | -    | -    | -    | -    | -    | -    | -    |
| 80DL51.5W/C                       | 1.5   | 2    | 12.7       | -    | 10.7 | 10.3 | 9.3  | 8.2  | 5.9  | 3.4  | -    | -    | -    | -    | -    | -    | -    |
| 80DL52.2W/C                       | 2.2   | 3    | 15.2       | -    | -    | 12.9 | 12.0 | 11.1 | 9.0  | 6.8  | 5.7  | 4.6  | -    | -    | -    | -    | -    |
| 80DL53.7W/C                       | 3.7   | 5    | 18.5       | -    | -    | -    | 17.0 | 16.4 | 14.9 | 13.4 | 12.6 | 11.6 | 10.4 | -    | -    | -    | -    |
| 100DL53.7W/C                      | 3.7   | 5    | 16.1       | -    | -    | -    | -    | 14.1 | 13.1 | 12.2 | 11.7 | 11.2 | 10.6 | 9.2  | 7.6  | 4.0  | -    |
| 100DLB55.5W/C                     | 5.5   | 7.5  | 16.9       | -    | -    | -    | -    | -    | 15.7 | 15.1 | 14.8 | 14.5 | 14.1 | 13.3 | 12.3 | 10.1 | 7.5  |
| 100DLB57.5W/C                     | 7.5   | 10   | 22.5       | -    | -    | -    | -    | -    | 20.2 | 19.4 | 19.0 | 18.6 | 18.1 | 17.2 | 16.1 | 13.7 | 10.7 |

**80DML**



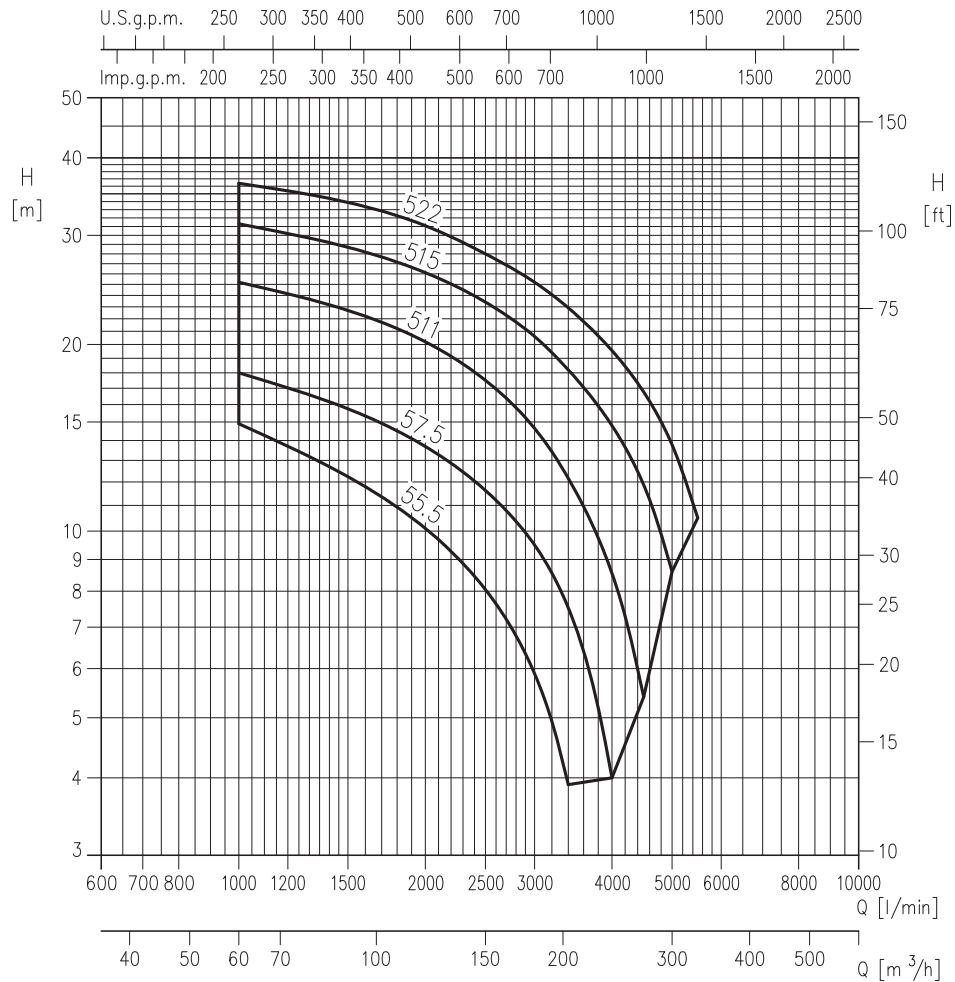
| Pump Type                         | Power |      | Q= Capacity |      |      |      |      |      |      |      |      |
|-----------------------------------|-------|------|-------------|------|------|------|------|------|------|------|------|
|                                   |       |      | [l/min]     | 0    | 200  | 400  | 600  | 800  | 1000 | 1200 | 1400 |
|                                   | [kW]  | [HP] | [m³/h]      | 0    | 12   | 24   | 36   | 48   | 60   | 72   | 84   |
| H=Total manometric head in meters |       |      |             |      |      |      |      |      |      |      |      |
| 80DML52.2                         | 2.2   | 3    | 13.1        | 11.2 | 9.6  | 8.2  | 7.1  | 6.2  | 5.5  | 4.9  | 4    |
| 80DML53.7                         | 3.7   | 5    | 17.9        | 15.8 | 14.2 | 12.8 | 11.7 | 10.7 | 9.7  | 8.8  | 7.9  |

**100DML**



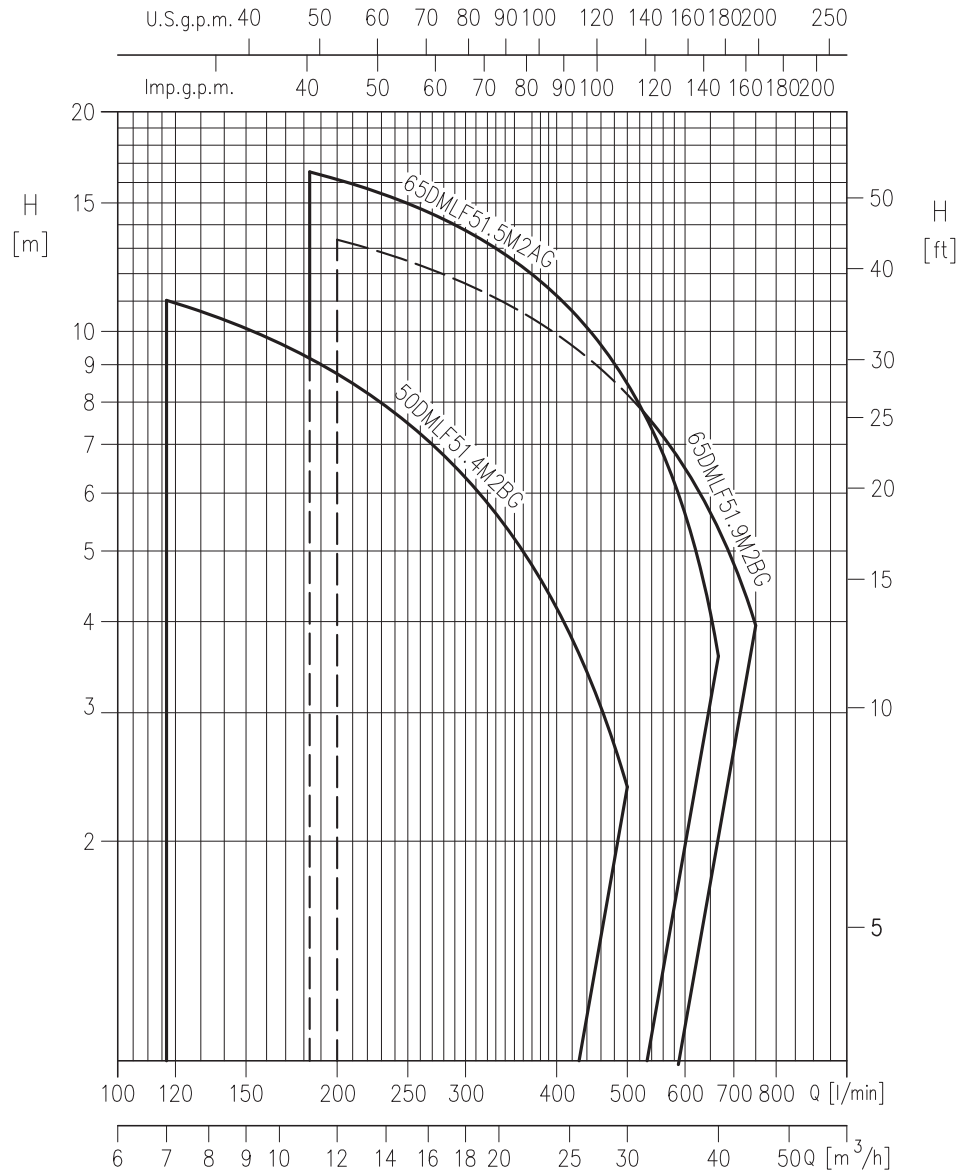
| Pump Type                         | Power |      | Q= Capacity |      |      |      |      |      |      |      |      |      |
|-----------------------------------|-------|------|-------------|------|------|------|------|------|------|------|------|------|
|                                   |       |      | [l/min]     | 0    | 500  | 1000 | 1300 | 1600 | 1900 | 2200 | 2400 | 2500 |
|                                   | [kW]  | [HP] | [m³/h]      | 0    | 30   | 60   | 78   | 96   | 114  | 132  | 144  | 150  |
| H=Total manometric head in meters |       |      |             |      |      |      |      |      |      |      |      |      |
| 100DML53.7                        | 3.7   | 5    | 17.9        | 13.5 | 10.7 | 9.3  | 7.9  | 6.5  | 5.0  | 4.0  | -    | -    |
| 100DML55.5                        | 5.5   | 7.5  | 22.0        | 17.9 | 14.9 | 13.4 | 11.9 | 10.6 | 9.3  | 8.5  | -    | -    |
| 100DML57.5                        | 7.5   | 10   | 25.3        | 20.6 | 18.0 | 16.7 | 15.5 | 14.2 | 13.0 | 12.1 | -    | -    |
| 100DML511                         | 11    | 15   | 30.3        | 27.5 | 25.2 | 23.7 | 22.2 | 20.7 | 19.1 | 18.0 | 17.5 | -    |
| 100DML515                         | 15    | 20   | 35.0        | 33.5 | 31.3 | 29.8 | 28.3 | 26.7 | 25.1 | 24.0 | 23.4 | -    |
| 100DML522                         | 22    | 30   | 40.0        | 38.5 | 36.4 | 34.9 | 33.3 | 31.7 | 30.0 | 28.7 | 28.0 | -    |

**150DML**



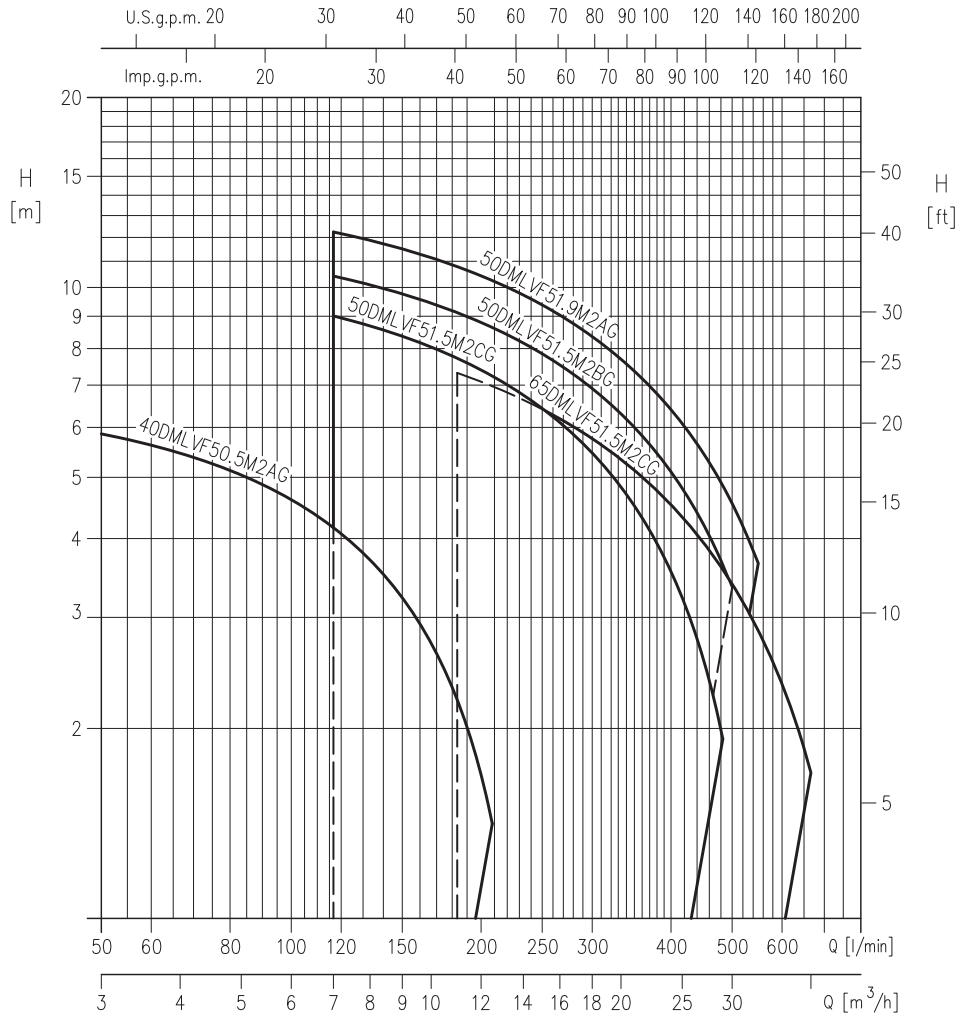
| Pump Type                         | Power |      | Q= Capacity |      |      |      |      |      |      |      |      |      |      |
|-----------------------------------|-------|------|-------------|------|------|------|------|------|------|------|------|------|------|
|                                   |       |      | [l/min]     | 0    | 1000 | 2000 | 2500 | 3000 | 3400 | 4000 | 4500 | 5000 | 5500 |
|                                   | [kW]  | [HP] | [m³/h]      | 0    | 60   | 120  | 150  | 180  | 204  | 240  | 270  | 300  | 330  |
| H=Total manometric head in meters |       |      |             |      |      |      |      |      |      |      |      |      |      |
| 150DML55.5                        | 5.5   | 7.5  | 22.0        | 14.9 | 10.1 | 8.0  | 5.9  | 3.9  | -    | -    | -    | -    |      |
| 150DML57.5                        | 7.5   | 10   | 25.3        | 18.0 | 13.7 | 11.6 | 9.5  | 7.5  | 4.0  | -    | -    | -    |      |
| 150DML511                         | 11    | 15   | 30.3        | 25.2 | 20.2 | 17.5 | 14.7 | 12.2 | 8.6  | 5.4  | -    | -    |      |
| 150DML515                         | 15    | 20   | 35.0        | 31.3 | 26.1 | 23.4 | 20.6 | 18.2 | 14.8 | 11.9 | 8.6  | -    |      |
| 150DML522                         | 22    | 30   | 40.0        | 36.4 | 31.1 | 28.0 | 25.2 | 22.9 | 19.5 | 16.8 | 13.8 | 10.5 |      |

**50-65DMLF**



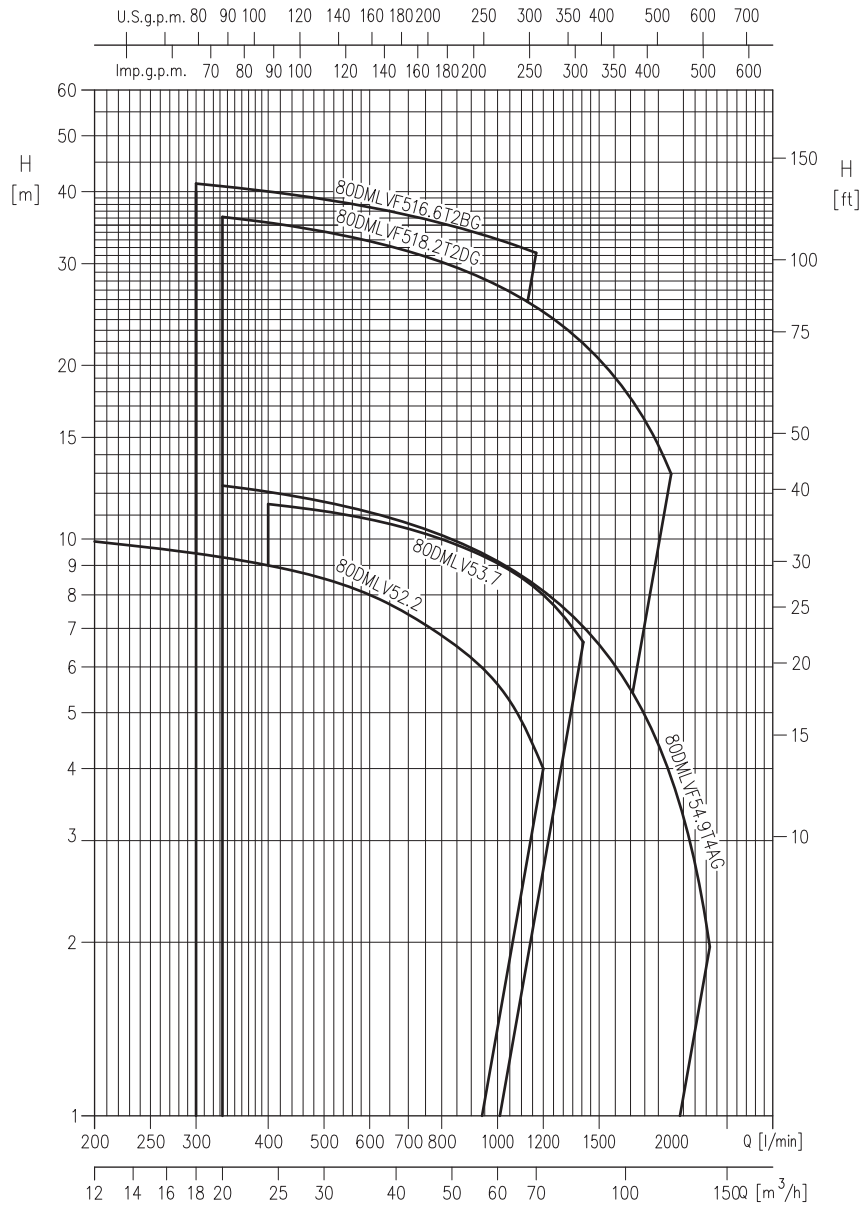
| Pump Type                         | Power |      | Q=Capacity |      |      |      |      |      |      |     |     |     |     |     |  |
|-----------------------------------|-------|------|------------|------|------|------|------|------|------|-----|-----|-----|-----|-----|--|
|                                   | [kW]  | [HP] | l/min      | 0    | 117  | 183  | 200  | 300  | 350  | 400 | 500 | 600 | 667 | 750 |  |
|                                   |       |      | m³/h       | 0    | 7    | 11   | 12   | 18   | 21   | 24  | 30  | 36  | 40  | 45  |  |
| H=Total manometric head in meters |       |      |            |      |      |      |      |      |      |     |     |     |     |     |  |
| 50DMLF51.4M2BG                    | 1.4   | 1.9  | 14.6       | 11.0 | 9.2  | 8.7  | 6.3  | 5.2  | 4.2  | 2.4 | -   | -   | -   | -   |  |
| 65DMLF51.5M2AG                    | 1.5   | 2    | 20.5       | -    | 16.5 | 16.2 | 13.7 | 12.5 | 11.2 | 8.5 | 5.6 | 3.6 | -   | -   |  |
| 65DMLF51.9M2BG                    | 1.9   | 2.5  | 16.8       | -    | -    | 13.4 | 11.6 | 10.8 | 9.9  | 8.2 | 6.5 | 5.4 | 4   | -   |  |

**40-50-65 DMLVF**



| Pump Type                         | Power |      | Q=Capacity |     |      |      |      |      |     |     |     |     |     |     |     |     |
|-----------------------------------|-------|------|------------|-----|------|------|------|------|-----|-----|-----|-----|-----|-----|-----|-----|
|                                   | [kW]  | [HP] | l/min      | 0   | 50   | 117  | 183  | 208  | 250 | 300 | 350 | 400 | 483 | 500 | 550 | 667 |
|                                   |       |      | m³/h       | 0   | 3    | 7    | 11   | 12.5 | 15  | 18  | 21  | 24  | 29  | 30  | 33  | 40  |
| H=Total manometric head in meters |       |      |            |     |      |      |      |      |     |     |     |     |     |     |     |     |
| 40DMLVF50.5M2AG                   | 0.5   | 0.7  | 7.0        | 5.9 | 4.2  | 2.2  | 1.4  | -    | -   | -   | -   | -   | -   | -   | -   | -   |
| 50DMLVF51.5M2CG                   | 1.5   | 2    | 11.3       | -   | 9    | 7.7  | 7.2  | 6.4  | 5.5 | 4.5 | 3.5 | 1.9 | -   | -   | -   | -   |
| 50DMLVF51.5M2BG                   | 1.5   | 2    | 12.8       | -   | 10.4 | 9.1  | 8.6  | 7.8  | 6.9 | 6.0 | 5.1 | 3.6 | 3.4 | -   | -   | -   |
| 50DMLVF51.9M2AG                   | 1.9   | 2.5  | 14.9       | -   | 12.2 | 10.8 | 10.3 | 9.4  | 8.4 | 7.4 | 6.4 | 4.8 | 4.5 | 3.7 | -   | -   |
| 65DMLVF51.5M2CG                   | 1.5   | 2    | 10.0       | -   | -    | 7.3  | 7.0  | 6.4  | 5.8 | 5.1 | 4.5 | 3.6 | 3.4 | 2.9 | 1.7 | -   |

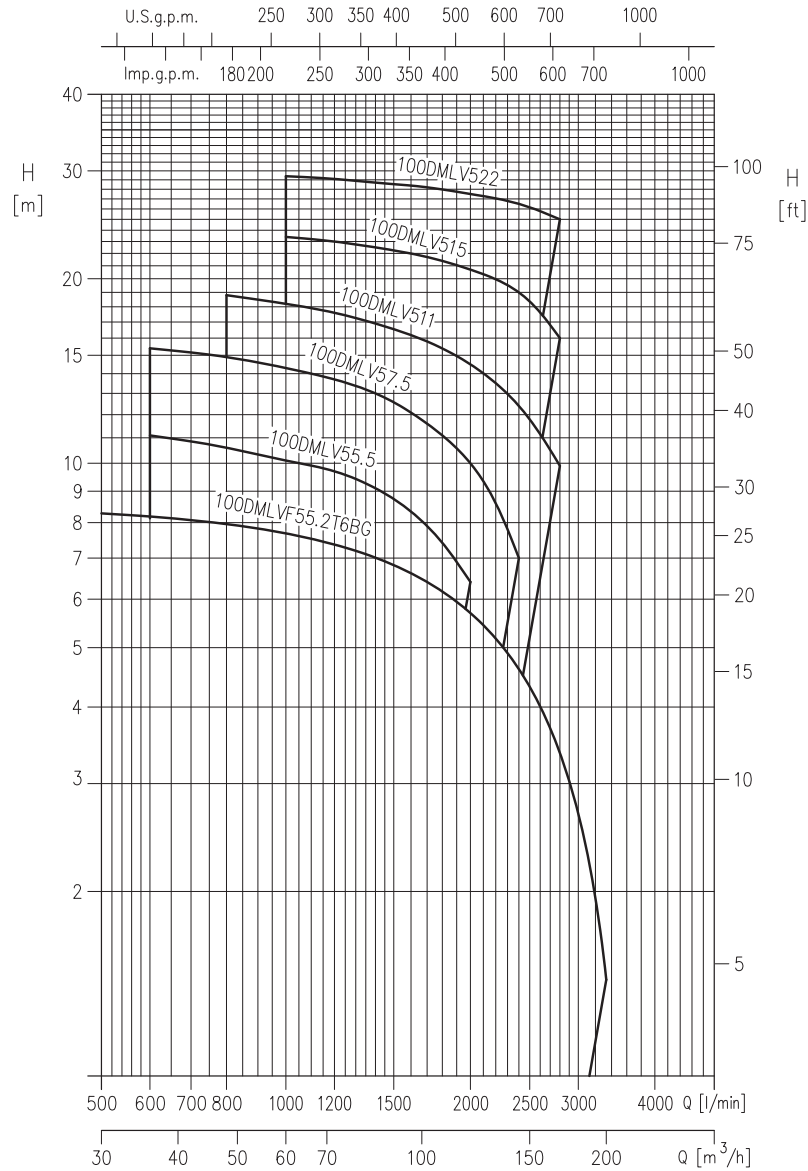
**80DMLV- 80DMLVF**



| Pump Type                         | Power |      | Q=Capacity |     |      |      |      |      |      |      |      |      |      |      |      |      |
|-----------------------------------|-------|------|------------|-----|------|------|------|------|------|------|------|------|------|------|------|------|
|                                   | [kW]  | [HP] | l/min      | 200 | 300  | 333  | 400  | 600  | 900  | 1167 | 1200 | 1320 | 1400 | 2000 | 2100 | 2333 |
|                                   |       |      | m³/h       | 0   | 12   | 18   | 20   | 24   | 36   | 54   | 70   | 72   | 79   | 84   | 120  | 126  |
| H=Total manometric head in meters |       |      |            |     |      |      |      |      |      |      |      |      |      |      |      |      |
| 80DMLV52.2                        | 2.2   | 3    | 10.7       | 9.9 | 9.5  | 9.3  | 9.0  | 8    | 6.4  | 4.1  | 4    | -    | -    |      |      |      |
| 80DMLV53.7                        | 3.7   | 5    | 12.8       | -   | -    | -    | 11.5 | 10.7 | 9.4  | 9.1  | 7.9  | 7.2  | 6.4  |      |      |      |
| 80DMLVF54.9T4AG                   | 4.9   | 6.6  | 13.9       | -   | -    | 12.4 | 12.1 | 11.1 | 9.6  | 8.3  | 8.1  | 7.5  | 7.1  | 3.8  | 3    | 2    |
| 80DMLVF516.6T2BG                  | 16.6  | 22.3 | 45         | -   | 41.3 | 40.9 | 40.0 | 37.6 | 34.2 | 31.3 | -    | -    | -    | -    | -    | -    |
| 80DMLVF518.2T2DG                  | 18.2  | 24.4 | 40.2       | -   | -    | 36.2 | 35.4 | 32.8 | 28.9 | 25.2 | 24.8 | 23.1 | 21.9 | 13.0 | -    | -    |

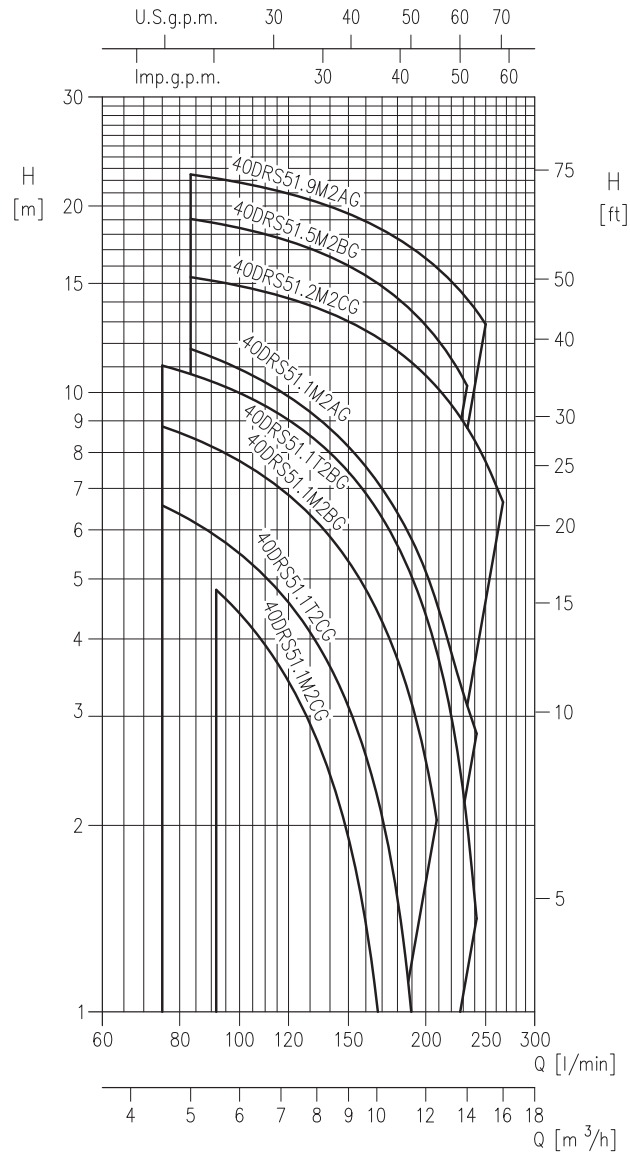


**100 DMLV - 100DMLVF**



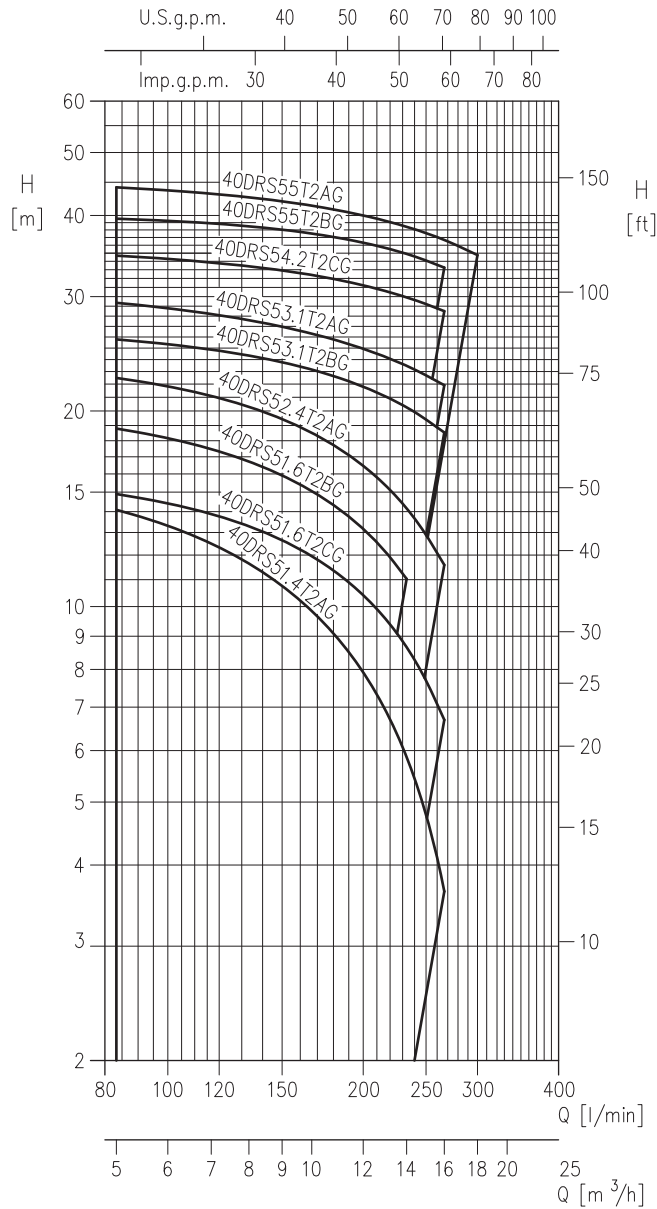
| Pump Type                         | Power |      | Q=Capacity        |     |      |      |      |      |      |      |      |      |      |
|-----------------------------------|-------|------|-------------------|-----|------|------|------|------|------|------|------|------|------|
|                                   | [kW]  | [HP] | l/min             | 500 | 600  | 800  | 1000 | 1200 | 1700 | 2000 | 2400 | 2800 | 3333 |
|                                   |       |      | m <sup>3</sup> /h | 30  | 36   | 48   | 60   | 72   | 102  | 120  | 144  | 168  | 200  |
| H=Total manometric head in meters |       |      |                   |     |      |      |      |      |      |      |      |      |      |
| 100DMLVF55.2T6BG                  | 5.2   | 7    | 8.6               | 8.3 | 8.2  | 8    | 7.7  | 7.4  | 6.4  | 5.7  | 4.6  | 3.4  | 1.4  |
| 100DMLV5,5                        | 5.5   | 7.5  | 13.2              | -   | 11.1 | 10.6 | 10.1 | 9.7  | 7.9  | 6.4  | -    | -    | -    |
| 100DMLV57,5                       | 7.5   | 10   | 16.8              | -   | 15.4 | 14.9 | 14.3 | 13.7 | 11.6 | 10   | 7    | -    | -    |
| 100DMLV511                        | 11    | 15   | 20.6              | -   | -    | 18.8 | 18.2 | 17.6 | 15.8 | 14.5 | 12.4 | 9.9  | -    |
| 100DMLV515                        | 15    | 20   | 24.9              | -   | -    | -    | 23.4 | 23   | 21.7 | 20.7 | 19   | 16   | -    |
| 100DMLV522                        | 22    | 30   | 32.1              | -   | -    | -    | 29.4 | 29.1 | 28.2 | 27.5 | 26.5 | 25   | -    |

**40 DRS (M)**



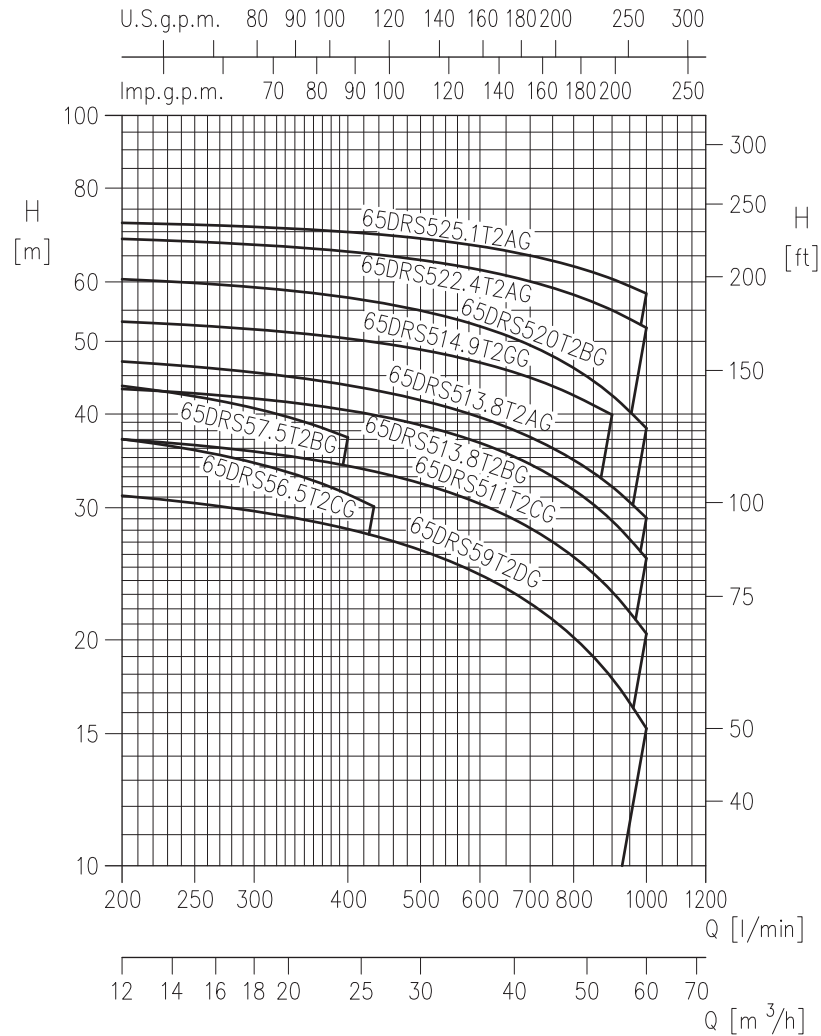
| Pump Type<br>DRS/A40              | Power |      | Q=Capacity |     |      |      |      |      |      |      |      |      |      |      |      |
|-----------------------------------|-------|------|------------|-----|------|------|------|------|------|------|------|------|------|------|------|
|                                   | [kW]  | [HP] | l/min      | 0   | 75   | 83   | 92   | 150  | 175  | 200  | 208  | 233  | 242  | 250  | 267  |
|                                   |       |      | m³/h       | 0   | 4.5  | 5.0  | 5.5  | 9.0  | 10.5 | 12.0 | 12.5 | 14.0 | 14.5 | 15.0 | 16.0 |
| H=Total manometric head in meters |       |      |            |     |      |      |      |      |      |      |      |      |      |      |      |
| 40DRS51.1M2CG                     | 1.1   | 1.5  | 9          | -   | -    | 4.8  | 1.9  | 0.6  | -    | -    | -    | -    | -    | -    | -    |
| 40DRS51.1M2BG                     | 1.1   | 1.5  | 11.4       | 8.8 | 8.5  | 8.1  | 5.3  | 4    | 2.5  | 2    | -    | -    | -    | -    |      |
| 40DRS51.1M2AG                     | 1.1   | 1.5  | 15.5       | -   | 11.8 | 11.3 | 8.2  | 6.7  | 5.1  | 4.6  | 3    | 2.4  | -    | -    |      |
| 40DRS51.2M2CG                     | 1.2   | 1.6  | 16.9       | -   | 15.3 | 15.1 | 13   | 11.9 | 10.6 | 10.2 | 8.8  | 8.3  | 7.7  | 6.6  |      |
| 40DRS51.5M2BG                     | 1.5   | 2    | 20.9       | -   | 19.1 | 18.7 | 16   | 14.5 | 12.8 | 12.2 | 10.3 | -    | -    | -    |      |
| 40DRS51.9M2AG                     | 1.9   | 2.5  | 24.8       | -   | 22.5 | 21.2 | 19.4 | 18   | 16.5 | 15.9 | 14.2 | 13.5 | 12.9 | -    |      |
| 40DRS51.1T2CG                     | 1.1   | 1.5  | 9.3        | 6.6 | 6.2  | 5.9  | 3.1  | 1.8  | 0.4  | -    | -    | -    | -    | -    |      |
| 40DRS51.1T2BG                     | 1.1   | 1.5  | 13.5       | 11  | 10.7 | 10.3 | 7.4  | 6    | 4.4  | 3.8  | 2    | 1.4  | -    | -    |      |

40 DRS



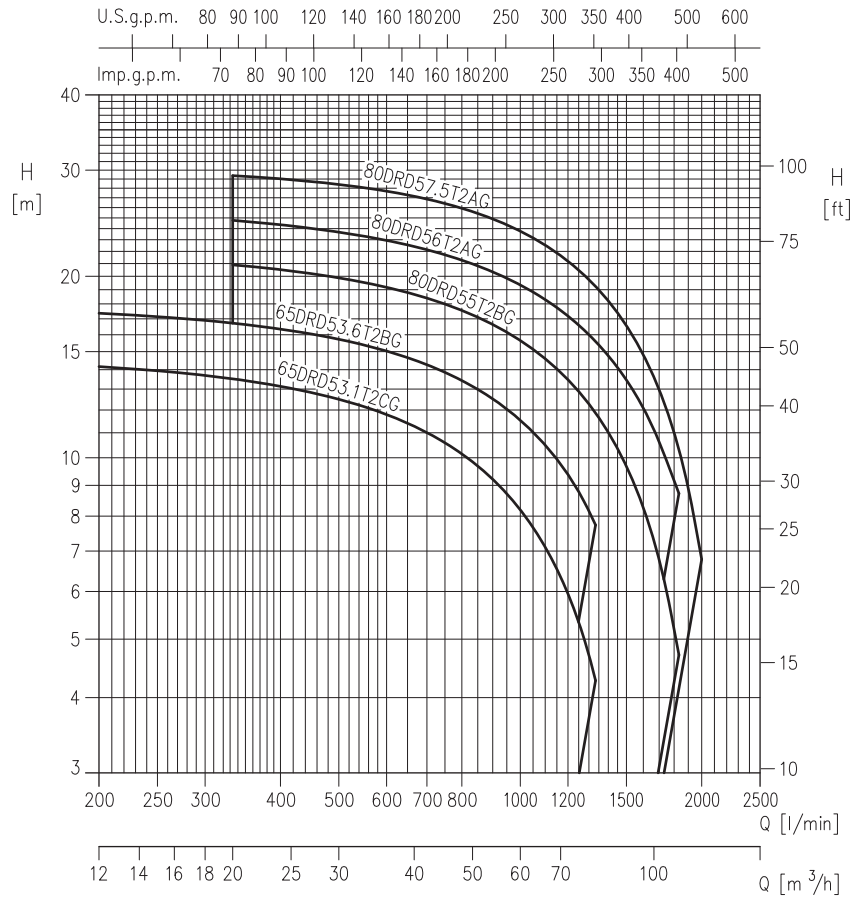
| Pump Type<br>DRS/A40              | Power |      | Q=Capacity |      |      |      |      |      |      |      |
|-----------------------------------|-------|------|------------|------|------|------|------|------|------|------|
|                                   | [kW]  | [HP] | l/min      | 83   | 150  | 200  | 233  | 267  | 300  |      |
|                                   |       |      | m³/h       | 0    | 5.0  | 9.0  | 12.0 | 14.0 | 16.0 | 18.0 |
| H=Total manometric head in meters |       |      |            |      |      |      |      |      |      |      |
| 40DRS51.4T2AG                     | 1.4   | 1.9  | 17.5       | 14.1 | 10.8 | 7.9  | 5.9  | 3.7  | -    | -    |
| 40DRS51.6T2CG                     | 1.6   | 2.1  | 16.5       | 14.9 | 12.6 | 10.4 | 8.7  | 6.7  | -    | -    |
| 40DRS51.6T2BG                     | 1.6   | 2.1  | 21.1       | 18.8 | 15.9 | 13.2 | 11   | -    | -    | -    |
| 40DRS52.4T2AG                     | 2.4   | 3.2  | 24.8       | 22.5 | 19.4 | 16.5 | 14.2 | 11.6 | -    | -    |
| 40DRS53.1T2BG                     | 3.1   | 4.2  | 27.3       | 25.8 | 23.8 | 21.8 | 20.3 | 18.5 | -    | -    |
| 40DRS53.1T2AG                     | 3.1   | 4.2  | 31.8       | 29.3 | 27   | 24.9 | 23.5 | 21.9 | -    | -    |
| 40DRS54.2T2CG                     | 4.2   | 5.6  | 36.1       | 34.7 | 32.9 | 31.2 | 29.9 | 28.5 | -    | -    |
| 40DRS55T2BG                       | 5     | 6.7  | 40         | 39.5 | 38   | 36.3 | 34.9 | 33.3 | -    | -    |
| 40DRS55T2AG                       | 5     | 6.7  | 46         | 44   | 42   | 40   | 38.4 | 36.7 | 34.8 | -    |

**65 DRS**



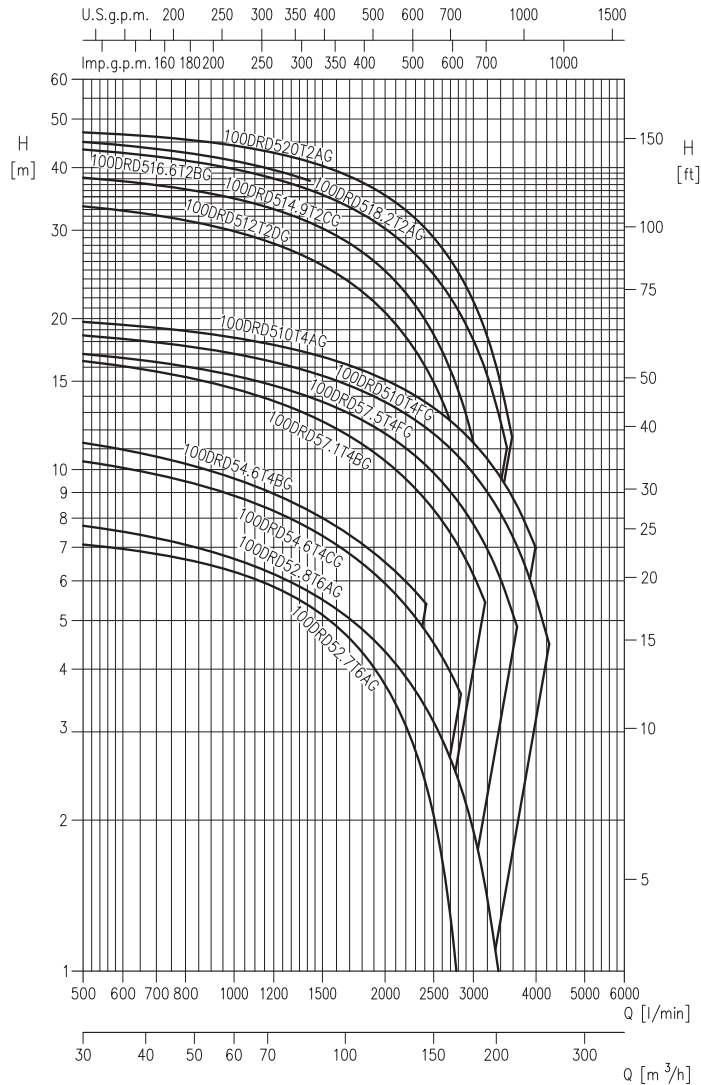
| Pump Type<br>DRS/A65              | Power |      | Q=Capacity |      |      |      |      |      |      |
|-----------------------------------|-------|------|------------|------|------|------|------|------|------|
|                                   | [kW]  | [HP] | l/min      | 200  | 400  | 433  | 667  | 900  | 1000 |
|                                   |       |      | 0          | 12.0 | 24.0 | 26.0 | 40.0 | 54.0 | 60.0 |
| H=Total manometric head in meters |       |      |            |      |      |      |      |      |      |
| 65DRS56.5T2CG                     | 6.5   | 8.7  | 40.5       | 37   | 31.3 | 30.1 | -    | -    | -    |
| 65DRS57.5T2BG                     | 7.5   | 10.1 | 47.5       | 43.5 | 37.2 | -    | -    | -    | -    |
| 65DRS59T2DG                       | 9     | 12.1 | 33.5       | 31.1 | 28.1 | 27.5 | 23.1 | 17.8 | 15.2 |
| 65DRS511T2CG                      | 11    | 14.8 | 39.1       | 37   | 34.1 | 33.5 | 28.9 | 23.2 | 20.4 |
| 65DRS513.8T2BG                    | 13.8  | 18.5 | 45         | 43   | 40.5 | 39.9 | 35.1 | 28.8 | 25.7 |
| 65DRS513.8T2AG                    | 13.8  | 18.5 | 49.5       | 47   | 43.5 | 43   | 38.1 | 32   | 29.1 |
| 65DRS514.9T2GG                    | 14.9  | 20.0 | 55         | 53   | 50.5 | 50   | 45.5 | 39.8 | -    |
| 65DRS520T2BG                      | 20    | 26.8 | 62.5       | 60.5 | 57   | 56.5 | 50.5 | 42.5 | 38.3 |
| 65DRS522.4T2AG                    | 22.4  | 30.0 | 70         | 68.5 | 66   | 65.5 | 61   | 55   | 52   |
| 65DRS525.1T2AG                    | 25.1  | 33.7 | 73         | 72   | 70   | 69.5 | 65.5 | 60.5 | 58   |

**65-80 DRD**



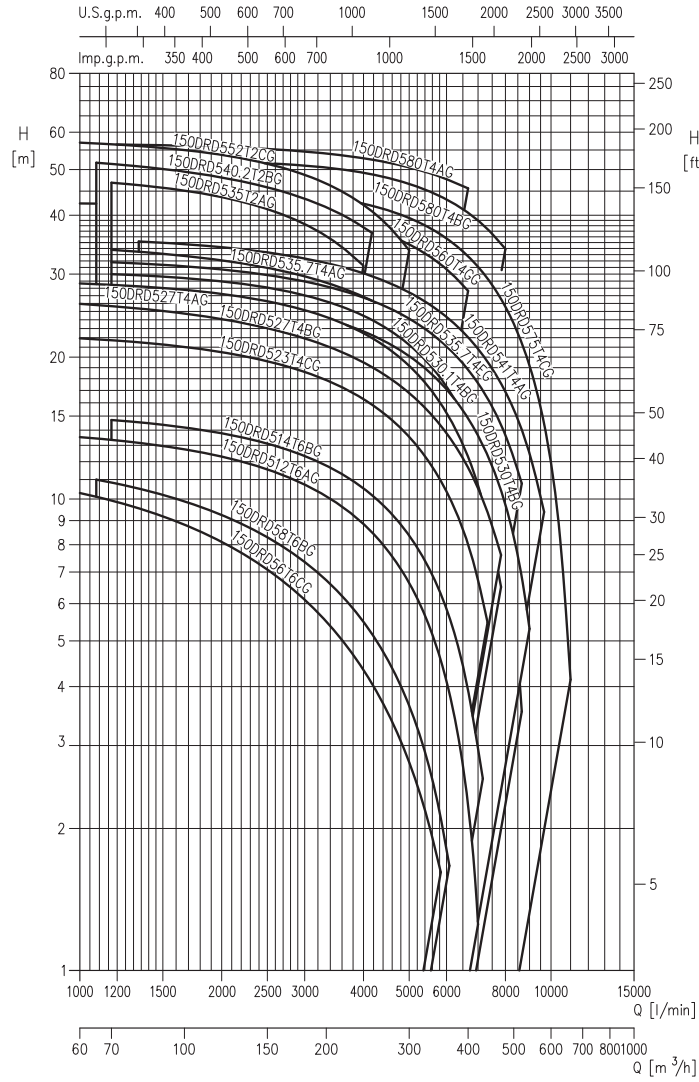
| Pump Type<br>DRD/65-80            | Power |      | Q=Capacity |      |      |      |      |      |      |
|-----------------------------------|-------|------|------------|------|------|------|------|------|------|
|                                   | [kW]  | [HP] | l/min      | 200  | 333  | 833  | 1333 | 1833 | 2000 |
|                                   |       |      | m³/h       | 12   | 20   | 50   | 80   | 110  | 120  |
| H=Total manometric head in meters |       |      |            |      |      |      |      |      |      |
| 65DRD53.1T2CG                     | 3.1   | 4.2  | 14.9       | 14.2 | 13.5 | 9.8  | 4.3  | -    | -    |
| 65DRD53.6T2BG                     | 3.6   | 4.8  | 18.1       | 17.4 | 16.7 | 13.1 | 7.8  | -    | -    |
| 80DRD55T2BG                       | 5     | 6.7  | 22.4       | -    | 20.9 | 17.3 | 11.9 | 4.7  | -    |
| 80DRD56T2AG                       | 6     | 8    | 26.4       | -    | 24.8 | 21   | 15.6 | 8.7  | -    |
| 80DRD57.5T2AG                     | 7.5   | 10.1 | 30.5       | -    | 29.4 | 25.6 | 19.2 | 10.3 | 6.8  |

100 DRD



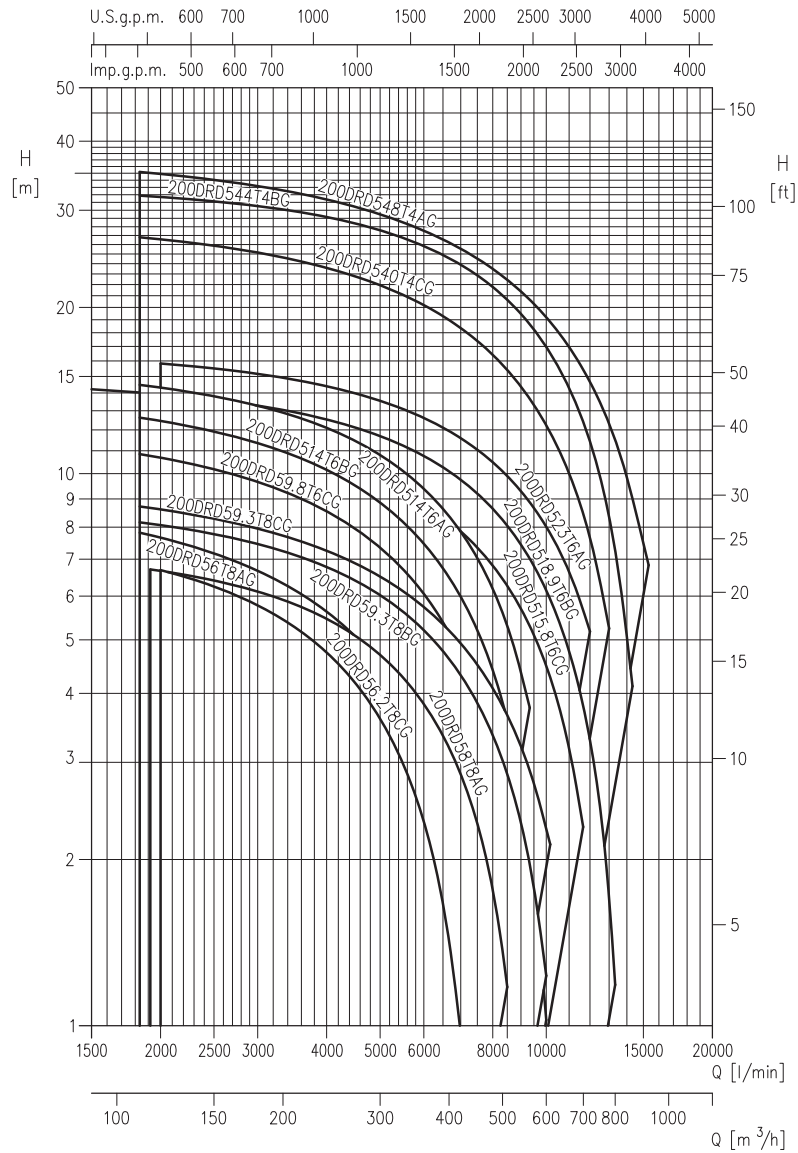
| Pump Type<br>DRD/100              | Power |      | Q=Capacity |      |      |      |      |      |      |      |      |      |      |      |      |      |      |
|-----------------------------------|-------|------|------------|------|------|------|------|------|------|------|------|------|------|------|------|------|------|
|                                   | [kW]  | [HP] | l/min      | 0    | 500  | 833  | 1417 | 2417 | 2833 | 3000 | 3167 | 3333 | 3500 | 3583 | 3667 | 4000 | 4250 |
|                                   |       |      | m³/h       | 0    | 30   | 50   | 85   | 145  | 170  | 180  | 190  | 200  | 210  | 215  | 220  | 240  | 255  |
| H=Total manometric head in meters |       |      |            |      |      |      |      |      |      |      |      |      |      |      |      |      |      |
| 100DRD52.7T6AG                    | 2.7   | 3.6  | 7.6        | 7.1  | 6.6  | 5.3  | 2.3  | 0.8  | -    | -    | -    | -    | -    | -    | -    | -    | -    |
| 100DRD52.8T6AG                    | 2.8   | 3.8  | 8.8        | 7.7  | 7    | 5.7  | 3.3  | 2.3  | 1.9  | 1.5  | 1.1  | -    | -    | -    | -    | -    | -    |
| 100DRD54.6T4CG                    | 4.6   | 6.2  | 12         | 10.4 | 9.4  | 7.6  | 4.7  | 3.6  | -    | -    | -    | -    | -    | -    | -    | -    | -    |
| 100DRD54.6T4BG                    | 4.6   | 6.2  | 13.1       | 11.3 | 10.2 | 8.3  | 5.4  | -    | -    | -    | -    | -    | -    | -    | -    | -    | -    |
| 100DRD57.1T4BG                    | 7.1   | 9.5  | 18.4       | 16.5 | 15.2 | 12.5 | 8.3  | 6.9  | 6.2  | 5.5  | 4.7  | -    | -    | -    | -    | -    | -    |
| 100DRD57.5T4FG                    | 7.5   | 10.1 | 18.6       | 17   | 15.9 | 13.7 | 9.8  | 8.5  | 7.8  | 7.1  | 6.3  | 5.6  | 5.2  | 4.9  | -    | -    | -    |
| 100DRD510T4FG                     | 10    | 13.4 | 20         | 18.5 | 15.4 | 11.8 | 10.5 | 9.8  | 9.1  | 8.5  | 7.7  | 7.4  | 7    | 5.6  | 4.4  | -    | -    |
| 100DRD510T4AG                     | 10    | 13.4 | 21         | 19.7 | 18.8 | 16.8 | 13.3 | 12   | 11.3 | 10.6 | 9.9  | 9.2  | 8.8  | 8.5  | 7    | -    | -    |
| 100DRD512T2DG                     | 12    | 16.1 | 36.5       | 33.5 | 31.2 | 26.3 | 15.9 | 10.8 | 8.6  | -    | -    | -    | -    | -    | -    | -    | -    |
| 100DRD514.9T2CG                   | 14.9  | 20.0 | 41         | 38.2 | 36   | 31.1 | 19.7 | 13.9 | 11.3 | 8.7  | 6    | -    | -    | -    | -    | -    | -    |
| 100DRD516.6T2BG                   | 16.6  | 22.3 | 46.5       | 43.5 | 41   | 36.1 | 25.5 | 20.3 | 18.1 | 15.8 | 13.5 | 11.1 | -    | -    | -    | -    | -    |
| 100DRD518.2T2AG                   | 18.2  | 24.4 | 48         | 45   | 42.5 | 37.7 | -    | -    | -    | -    | -    | -    | -    | -    | -    | -    | -    |
| 100DRD520T2AG                     | 20    | 26.8 | 48.5       | 47   | 45.5 | 41   | 30.1 | 24.2 | 21.7 | 18.9 | 16.1 | 13.1 | 11.6 | -    | -    | -    | -    |

150 DRD



| Pump Type<br>DRD/150 | Power |       | Q=Capacity |      |      |      |      |      |      |      |      |      |      |      |      |      |      |      |      |      |      |      |      |       |
|----------------------|-------|-------|------------|------|------|------|------|------|------|------|------|------|------|------|------|------|------|------|------|------|------|------|------|-------|
|                      | [kW]  | [HP]  | l/min      | 1000 | 1083 | 1167 | 1333 | 2667 | 4000 | 4167 | 5000 | 5500 | 5833 | 6083 | 6667 | 7000 | 7167 | 7333 | 7833 | 8000 | 8667 | 9000 | 9667 | 11000 |
|                      |       |       | m³/h       | 60   | 65   | 70   | 80   | 160  | 240  | 250  | 300  | 330  | 350  | 365  | 400  | 420  | 430  | 440  | 470  | 480  | 520  | 540  | 580  | 660   |
| 150DRD56T6CG         | 6     | 8.0   | 12.7       | 10.3 | 10.1 | 9.9  | 9.6  | 6.8  | 4.3  | 4.1  | 2.8  | 2.1  | 1.6  | -    | -    | -    | -    | -    | -    | -    | -    | -    | -    | -     |
| 150DRD58T6BG         | 8     | 10.7  | 13.1       | -    | 11   | 10.8 | 10.5 | 8    | 5.5  | 5.2  | 3.6  | 2.7  | 2.1  | 1.7  | -    | -    | -    | -    | -    | -    | -    | -    | -    | -     |
| 150DRD512T6AG        | 12    | 16.1  | 14.5       | 13.5 | 13.4 | 13.2 | 11.3 | 8.8  | 8.5  | 6.6  | 5.4  | 4.5  | 3.9  | 2.2  | 1.2  | -    | -    | -    | -    | -    | -    | -    | -    | -     |
| 150DRD514T6BG        | 14    | 18.8  | 15.6       | -    | 14.7 | 14.5 | 12.9 | 10.5 | 10.2 | 8.4  | 7.1  | 6.3  | 5.6  | 3.9  | 3    | 2.5  | -    | -    | -    | -    | -    | -    | -    | -     |
| 150DRD523T4CG        | 23    | 30.8  | 23         | 21.9 | 21.8 | 21.7 | 21.5 | 19.3 | 16.3 | 15.9 | 13.5 | 12   | 10.9 | 10.1 | 8    | 6.8  | 6.1  | 5.5  | -    | -    | -    | -    | -    | -     |
| 150DRD527T4BG        | 27    | 36.2  | 27.6       | 26   | 25.8 | 25.7 | 25.4 | 22.7 | 19.5 | 19   | 16.8 | 15.3 | 14.3 | 13.5 | 11.7 | 10.5 | 10   | 9.4  | 7.6  | -    | -    | -    | -    | -     |
| 150DRD527T4AG        | 27    | 36.2  | 29.5       | 28.7 | 28.6 | 28.5 | 28.3 | 25.9 | 22.5 | 22   | 19.2 | 17.3 | 15.9 | 14.9 | 12.3 | 10.7 | 9.9  | 9    | 6.4  | -    | -    | -    | -    | -     |
| 150DRD530T4BG        | 30    | 40.2  | 28.5       | -    | -    | 27.5 | 27.4 | 25.4 | 22.7 | 22.3 | 20.1 | 18.6 | 17.6 | 16.8 | 14.8 | 13.6 | 13   | 12.4 | 10.4 | 9.7  | 6.9  | 5.4  | -    | -     |
| 150DRD530.1T4BG      | 30    | 40.2  | 30.7       | -    | -    | 30   | 29.8 | 27.8 | 24.5 | 24   | 21.2 | 19.4 | 18   | 17   | 14.3 | 12.7 | 11.9 | 11.1 | 8.4  | 7.5  | 3.6  | -    | -    | -     |
| 150DRD535T2AG        | 35    | 46.9  | 49.5       | -    | -    | 47   | 46.5 | 40.5 | 31.2 | -    | -    | -    | -    | -    | -    | -    | -    | -    | -    | -    | -    | -    | -    | -     |
| 150DRD535.7T4EG      | 35.7  | 47.9  | 32.9       | -    | -    | 31.8 | 31.7 | 29.6 | 26.8 | 26.3 | 24.1 | 22.7 | 21.6 | 20.8 | 18.8 | 17.6 | 17   | 16.3 | 14.4 | 13.7 | 10.8 | -    | -    | -     |
| 150DRD535.7T4AG      | 35.7  | 47.9  | 35.7       | -    | -    | 33.8 | 30.5 | 26.9 | 26.4 | 23.6 | 21.9 | 20.7 | -    | -    | -    | -    | -    | -    | -    | -    | -    | -    | -    | -     |
| 150DRD540.2T2BG      | 40.2  | 53.9  | 55         | -    | 51.7 | 51.4 | 50.8 | 45   | 37.7 | 36.7 | -    | -    | -    | -    | -    | -    | -    | -    | -    | -    | -    | -    | -    | -     |
| 150DRD541T4AG        | 41    | 55.0  | 36.7       | -    | -    | 35.3 | 33   | 30.1 | 29.7 | 27.4 | 25.9 | 24.9 | 24.1 | 22   | 20.8 | 20.2 | 19.6 | 17.6 | 16.9 | 14   | 12.5 | 9.4  | -    | -     |
| 150DRD552T2CG        | 52    | 69.7  | 58.6       | 57   | 56.8 | 56.6 | 56.1 | 50.6 | 42   | 40.8 | 33.7 | -    | -    | -    | -    | -    | -    | -    | -    | -    | -    | -    | -    | -     |
| 150DRD560T4GG        | 60    | 80.5  | 42.5       | 42.5 | 42.5 | 42.5 | 42   | 41   | 37.8 | 37.3 | 34.7 | 32.8 | 31.4 | 30.4 | 27.6 | -    | -    | -    | -    | -    | -    | -    | -    | -     |
| 150DRD575T4CG        | 75    | 100.6 | 45         | -    | -    | 45.5 | 45   | 42.5 | 42   | 39.5 | 37.7 | 36.4 | 35.4 | 32.7 | 31.1 | 30.2 | 29.4 | 26.6 | 25.6 | 21.4 | 19.2 | 14.4 | 3.8  | -     |
| 150DRD580T4BG        | 80    | 107.3 | 51.5       | 52   | 52   | 52   | 51.5 | 49   | 49   | 48.5 | 45   | 44   | 43   | 40.5 | 39   | 38.2 | 37.4 | 34.8 | 33.9 | -    | -    | -    | -    | -     |
| 150DRD580T4AG        | 80    | 107.3 | 57         | -    | -    | 56.5 | 55   | 53   | 52.5 | 50.5 | 49   | 49   | 48   | 47.5 | 45.5 | -    | -    | -    | -    | -    | -    | -    | -    | -     |

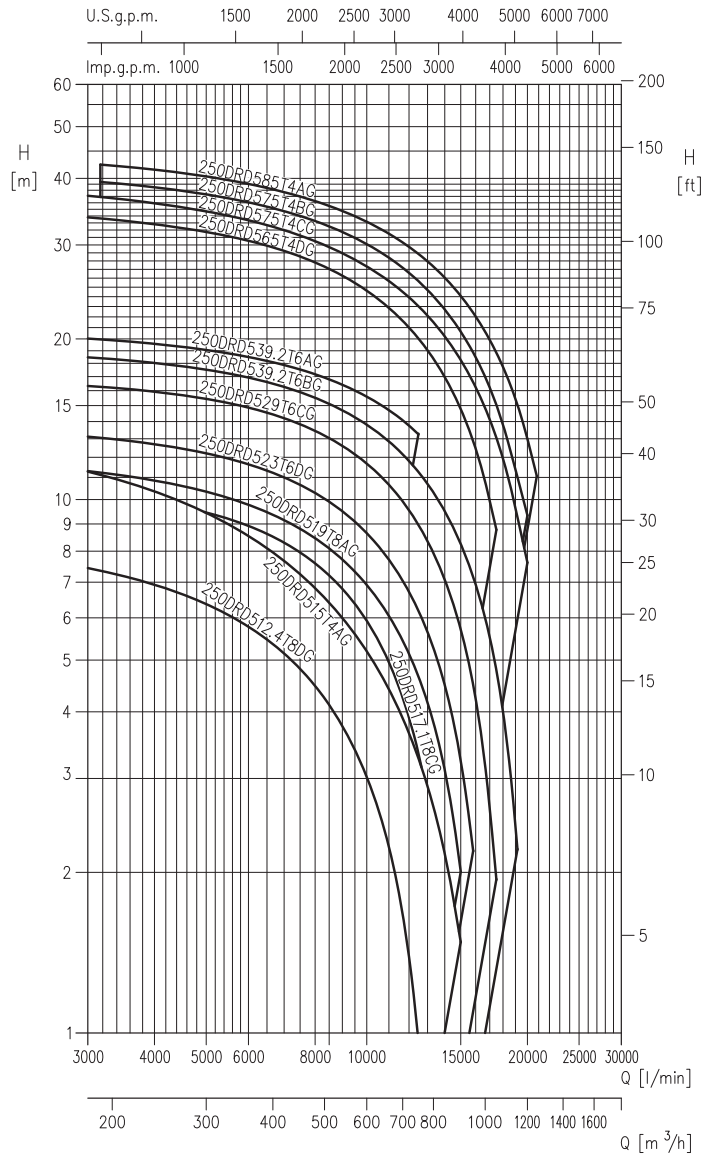
## 200 DRD



| Pump Type<br>DRD/200 | Power |      | Q=Capacity |      |      |      |      |      |      |      |      |      |      |      |       |       |       |       |       |       |       |       |
|----------------------|-------|------|------------|------|------|------|------|------|------|------|------|------|------|------|-------|-------|-------|-------|-------|-------|-------|-------|
|                      | [kW]  | [HP] | l/min      | 0    | 1667 | 1833 | 1917 | 2000 | 4500 | 7000 | 7667 | 8500 | 9167 | 9333 | 10000 | 10167 | 11667 | 12000 | 13000 | 13333 | 14333 | 15333 |
|                      |       |      | m³/h       | 0    | 100  | 110  | 115  | 120  | 270  | 420  | 460  | 510  | 550  | 560  | 600   | 610   | 700   | 720   | 780   | 800   | 860   | 920   |
| 200DRD56T8AG         | 6     | 8.0  | 9.5        | -    | -    | 7.7  | 7.7  | 5.1  | 2.2  | 1.3  | -    | -    | -    | -    | -     | -     | -     | -     | -     | -     | -     | -     |
| 200DRD56.2T8CG       | 6.2   | 8.3  | 8.2        | -    | -    | 6.7  | 6.7  | 4.2  | 1    | -    | -    | -    | -    | -    | -     | -     | -     | -     | -     | -     | -     | -     |
| 200DRD58T8AG         | 8     | 10.7 | 7.4        | -    | 6.7  | 6.7  | 6.7  | 5.1  | 2.9  | 2.1  | 1.2  | -    | -    | -    | -     | -     | -     | -     | -     | -     | -     | -     |
| 200DRD59.3T8CG       | 9.3   | 12.5 | 9.1        | -    | 8.2  | 8.1  | 8.1  | 6.4  | 4.3  | 3.7  | 2.9  | 2.2  | 1.8  | 1.2  | 1     | -     | -     | -     | -     | -     | -     | -     |
| 200DRD59.3T8BG       | 9.3   | 12.5 | 9.8        | -    | 8.7  | 8.7  | 8.6  | 6.9  | 4.9  | 4.4  | 3.6  | 3.1  | 2.7  | 2.3  | -     | -     | -     | -     | -     | -     | -     | -     |
| 200DRD59.8T6CG       | 9.8   | 13.1 | 12.5       | -    | 10.9 | 10.8 | 10.7 | 8    | 4.7  | 3.7  | 2.5  | 1.4  | -    | -    | -     | -     | -     | -     | -     | -     | -     | -     |
| 200DRD514T6BG        | 14    | 18.8 | 14.4       | -    | 12.6 | 12.5 | 12.5 | 9.5  | 6    | 4.9  | 3.6  | 2.4  | 1.8  | 1    | -     | -     | -     | -     | -     | -     | -     | -     |
| 200DRD514T6AG        | 14    | 18.8 | 16         | -    | 14.5 | 14.4 | 14.3 | 11.5 | 7.8  | 6.7  | 5.3  | 4.1  | 3.5  | -    | -     | -     | -     | -     | -     | -     | -     | -     |
| 200DRD515.8T6CG      | 15.8  | 21.2 | 12.9       | -    | 12   | 11.9 | 11.9 | 10.1 | 7.9  | 7.2  | 6.3  | 5.5  | 5.3  | 4.5  | 4.3   | 2.3   | -     | -     | -     | -     | -     | -     |
| 200DRD518.9T6BG      | 18.9  | 25.3 | 15         | 14.1 | 14   | 14   | 13.9 | 12.1 | 9.7  | 9    | 8    | 7.2  | 7    | 6.1  | 5.9   | 3.8   | 3.3   | 1.7   | 1.2   | -     | -     | -     |
| 200DRD523T6AG        | 23    | 30.8 | 16.9       | -    | -    | -    | 15.8 | 14   | 11.6 | 10.9 | 9.9  | 9.1  | 8.9  | 8    | 7.8   | 5.7   | 5.2   | -     | -     | -     | -     | -     |
| 200DRD540T4CG        | 40    | 53.6 | 29.2       | -    | 26.8 | 26.7 | 26.6 | 22.8 | 18.4 | 17.1 | 15.4 | 14   | 13.7 | 12.2 | 11.9  | 8.5   | 7.7   | 5.2   | -     | -     | -     | -     |
| 200DRD544T4BG        | 44    | 59.0 | 33.6       | -    | 31.9 | 31.8 | 31.7 | 28.4 | 23.9 | 22.5 | 20.6 | 19.1 | 18.7 | 17   | 16.5  | 12.4  | 11.4  | 8.4   | 7.3   | 4     | -     | -     |
| 200DRD548T4AG        | 48    | 64.4 | 38.3       | -    | 35.2 | 35.1 | 34.9 | 30.4 | 25.5 | 24.2 | 22.4 | 21   | 20.7 | 19.2 | 18.8  | 15.4  | 14.7  | 12.3  | 11.5  | 9.1   | 6.6   | -     |

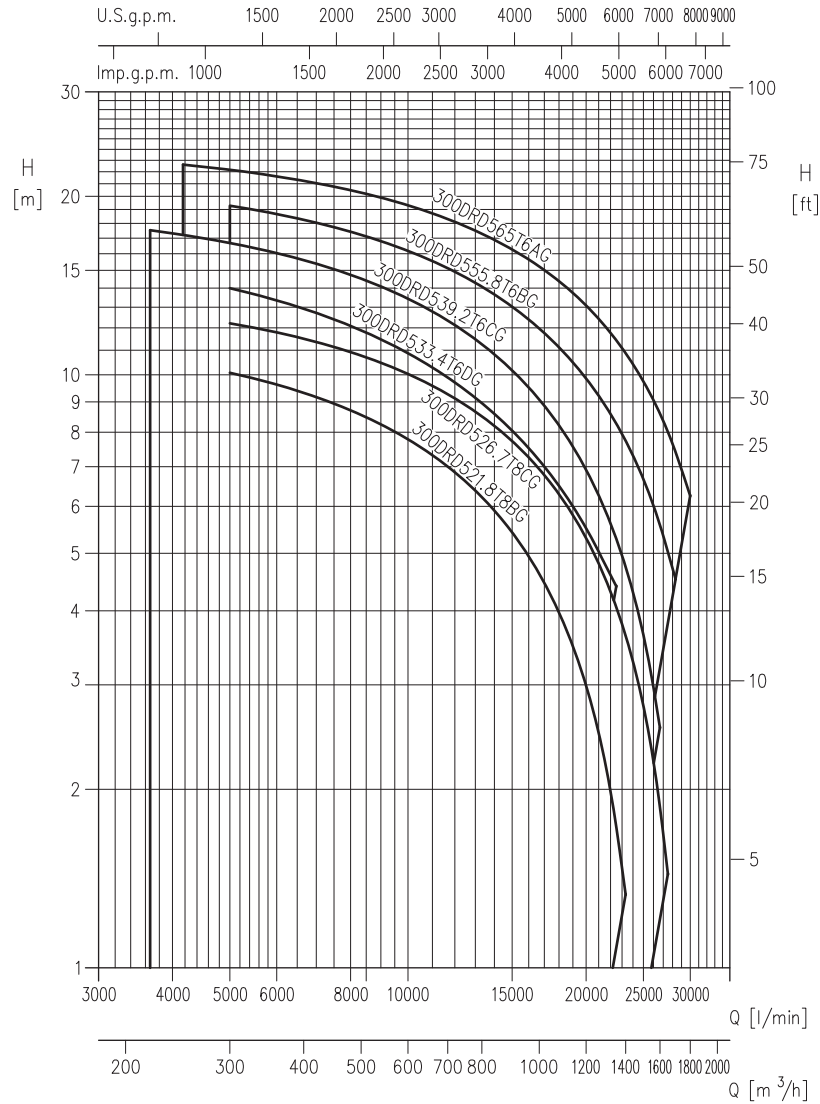


250 DRD



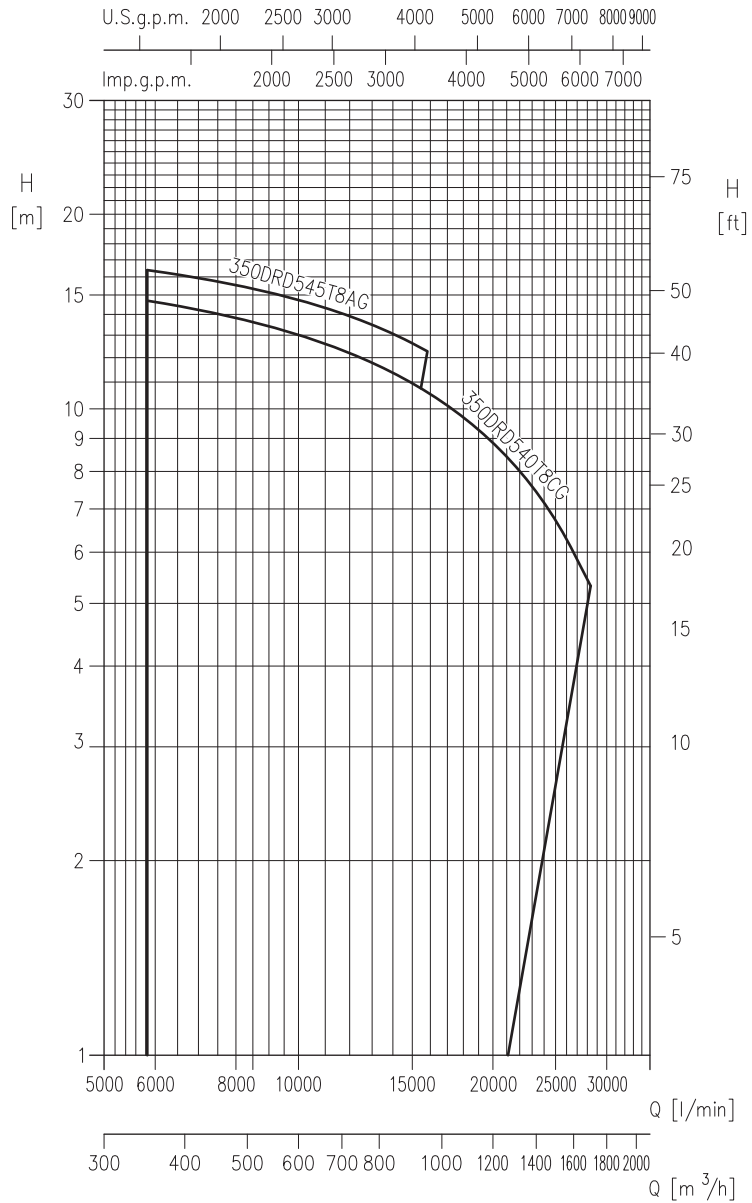
| Pump Type<br>DRD/250 | Power |       | Q=Capacity |      |      |      |      |      |       |       |       |       |       |       |       |       |       |       |
|----------------------|-------|-------|------------|------|------|------|------|------|-------|-------|-------|-------|-------|-------|-------|-------|-------|-------|
|                      | [kW]  | [HP]  | l/min      | 0    | 3000 | 3167 | 5000 | 8333 | 12500 | 12667 | 14000 | 15000 | 15833 | 17500 | 19167 | 19833 | 20000 | 20833 |
|                      |       |       | m³/h       | 0    | 180  | 190  | 300  | 500  | 750   | 760   | 840   | 900   | 950   | 1'050 | 1'150 | 1'190 | 1'200 | 1'250 |
| 250DRD515T4AG        | 15    | 20.1  | 14.2       | 11.3 | 11.1 | 9.4  | 6.3  | 3.3  | 3.1   | 2.2   | 1.5   | -     | -     | -     | -     | -     | -     | -     |
| 250DRD512.4T8DG      | 12.4  | 16.6  | 8.7        | 7.4  | 7.4  | 6.4  | 4    | 1    | 0.8   | -     | -     | -     | -     | -     | -     | -     | -     | -     |
| 250DRD517.1T8CG      | 17.1  | 22.9  | 10.8       | 10.3 | 10.2 | 9.5  | 7.1  | 3.3  | 3.1   | 1.5   | -     | -     | -     | -     | -     | -     | -     | -     |
| 250DRD519T8AG        | 19    | 25.5  | 12.3       | 11.3 | 11.2 | 10.3 | 8    | 4.7  | 4.5   | 3.1   | 2     | -     | -     | -     | -     | -     | -     | -     |
| 250DRD523T6DG        | 23    | 30.8  | 13.9       | 13.1 | 13.1 | 12.2 | 9.8  | 6.2  | 6     | 4.5   | 3.3   | 2.2   | -     | -     | -     | -     | -     | -     |
| 250DRD529T6CG        | 29    | 38.9  | 17         | 16.3 | 16.3 | 15.4 | 12.9 | 9    | 8.8   | 7.1   | 5.7   | 4.5   | 1.9   | -     | -     | -     | -     | -     |
| 250DRD539.2T6BG      | 39.2  | 52.6  | 19.4       | 18.5 | 18.4 | 17.5 | 15   | 11.3 | 11.1  | 9.5   | 8.3   | 7.1   | 4.8   | 2.2   | -     | -     | -     | -     |
| 250DRD539.2T6AG      | 39.2  | 52.6  | 21         | 20   | 20   | 19.1 | 16.7 | 13.3 | -     | -     | -     | -     | -     | -     | -     | -     | -     | -     |
| 250DRD565T4DG        | 65    | 87.2  | 36.1       | 33.8 | 33.7 | 31.7 | 26.8 | 20   | 19.7  | 17    | 14.8  | 12.8  | 8.8   | -     | -     | -     | -     | -     |
| 250DRD575T4CG        | 75    | 100.6 | 40.5       | 37.1 | 36.9 | 34.7 | 29.5 | 23   | 22.7  | 20.2  | 18.3  | 16.6  | 13    | 9.3   | 7.8   | 7.4   | -     | -     |
| 250DRD575T4BG        | 75    | 100.6 | 42.5       | -    | 39.4 | 37.3 | 32.3 | 25.7 | 25.3  | 22.7  | 20.6  | 18.8  | 15    | 11    | 9.4   | -     | -     | -     |
| 250DRD585T4AG        | 85    | 114.0 | 45.5       | -    | 42.5 | 40.5 | 35.3 | 28.9 | 28.6  | 26.1  | 24.1  | 22.4  | 18.8  | 15    | 13.5  | 13.1  | 11.1  | -     |

**300 DRD**



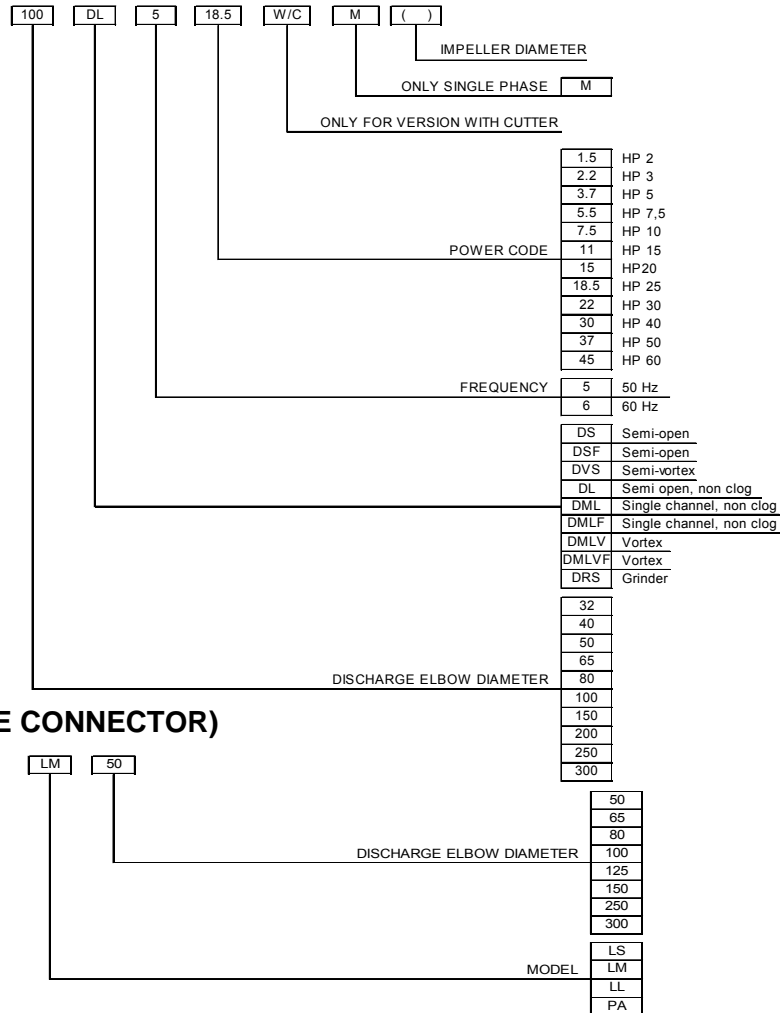
| Pump Type<br>DRD/350              | Power |      | Q=Capacity |      |      |      |      |       |       |       |       |       |       |       |       |       |
|-----------------------------------|-------|------|------------|------|------|------|------|-------|-------|-------|-------|-------|-------|-------|-------|-------|
|                                   | [kW]  | [HP] | l/min      | 3667 | 4167 | 5000 | 8333 | 11667 | 15000 | 18333 | 22500 | 23333 | 26667 | 27500 | 28333 | 30000 |
|                                   |       |      | m³/h       | 0    | 220  | 250  | 300  | 500   | 700   | 900   | 1'100 | 1'350 | 1'400 | 1'600 | 1'650 | 1'700 |
| H=Total manometric head in meters |       |      |            |      |      |      |      |       |       |       |       |       |       |       |       |       |
| 300DRD521.8T8BG                   | 21.8  | 29.2 | 12.3       | -    | -    | 10.1 | 8.6  | 7     | 5.4   | 3.8   | 1.7   | 1.3   | -     | -     | -     | -     |
| 300DRD526.7T8CG                   | 26.7  | 35.8 | 14.3       | -    | -    | 12.2 | 10.8 | 9.3   | 7.7   | 6.1   | 4.1   | 3.6   | 1.9   | 1.4   | -     | -     |
| 300DRD533.4T6DG                   | 33.4  | 44.8 | 17.4       | -    | -    | 14   | 11.9 | 9.9   | 8     | 6.3   | 4.3   | -     | -     | -     | -     | -     |
| 300DRD539.2T6CG                   | 39.2  | 52.6 | 20         | 17.6 | 17.2 | 16.7 | 14.5 | 12.4  | 10.2  | 8     | 5.3   | 4.7   | 2.6   | -     | -     | -     |
| 300DRD555.8T6BG                   | 55.8  | 74.8 | 22.4       | -    | -    | 19.3 | 17.2 | 15.1  | 13    | 10.9  | 8.3   | 7.7   | 5.6   | 5.1   | 4.5   | -     |
| 300DRD565T6AG                     | 65    | 87.2 | 24.9       | -    | 22.6 | 22.2 | 20.3 | 18.3  | 16.3  | 14.2  | 11.4  | 10.9  | 8.6   | 8     | 7.4   | 6.2   |

**350 DRD**



| Pump Type<br>DRD/350              | Power |      | Q=Capacity |      |      |       |       |       |       |       |
|-----------------------------------|-------|------|------------|------|------|-------|-------|-------|-------|-------|
|                                   | [kW]  | [HP] | l/min      | 5833 | 8333 | 11667 | 15833 | 20000 | 25000 | 28333 |
|                                   |       |      | m³/h       | 0    | 350  | 500   | 700   | 950   | 1'200 | 1'500 |
| H=Total manometric head in meters |       |      |            |      |      |       |       |       |       |       |
| 350DRD540T8CG                     | 40    | 53.6 | 17         | 14.7 | 13.7 | 12.3  | 10.6  | 8.9   | 6.7   | 5.3   |
| 350DRD545T8AG                     | 45    | 60.3 | 18.6       | 16.4 | 15.4 | 14.1  | 12.3  | -     | -     | -     |

**TYPE KEY  
PUMP**



**QDC (QUICK DISCHARGE CONNECTOR)**

**PERFORMANCE CURVE SPECIFICATIONS**

The specifications below qualify the curves shown on the following pages.

Tolerances according to ISO 9906 Annex A

The curves refer to effective speed of asynchronous motors at 50 Hz

Measurements were carried out with clean water at 20°C of temperature and with a kinematic viscosity of  $\nu = 1 \text{ mm}^2/\text{s}$  (1 cSt)

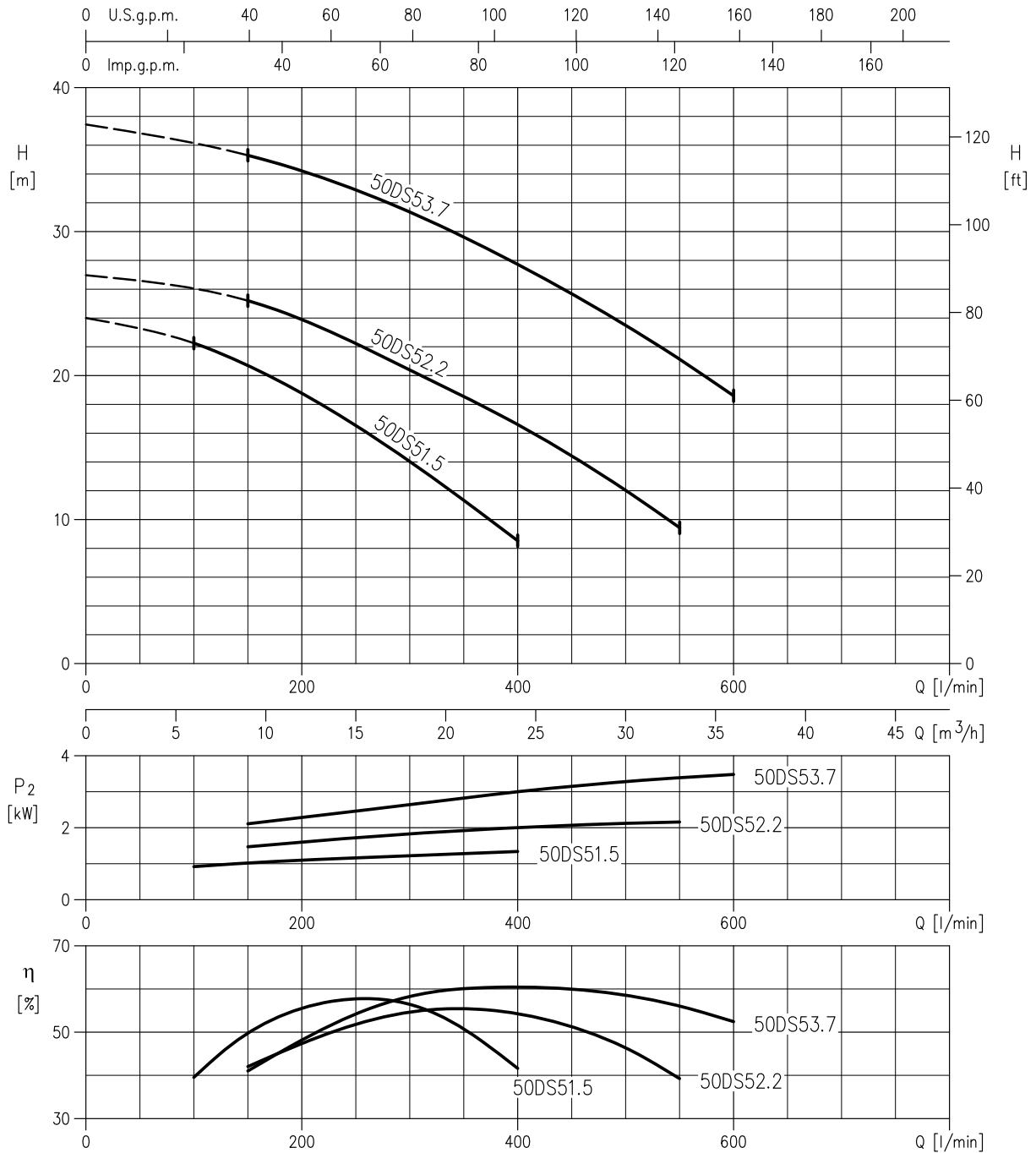
The continuous curves indicate the recommended working range. The dotted curve is only a guide.

In order to avoid the risk of over-heating, the pumps should not be used at a flow rate below 10% of best efficiency point.

Symbols explanation:

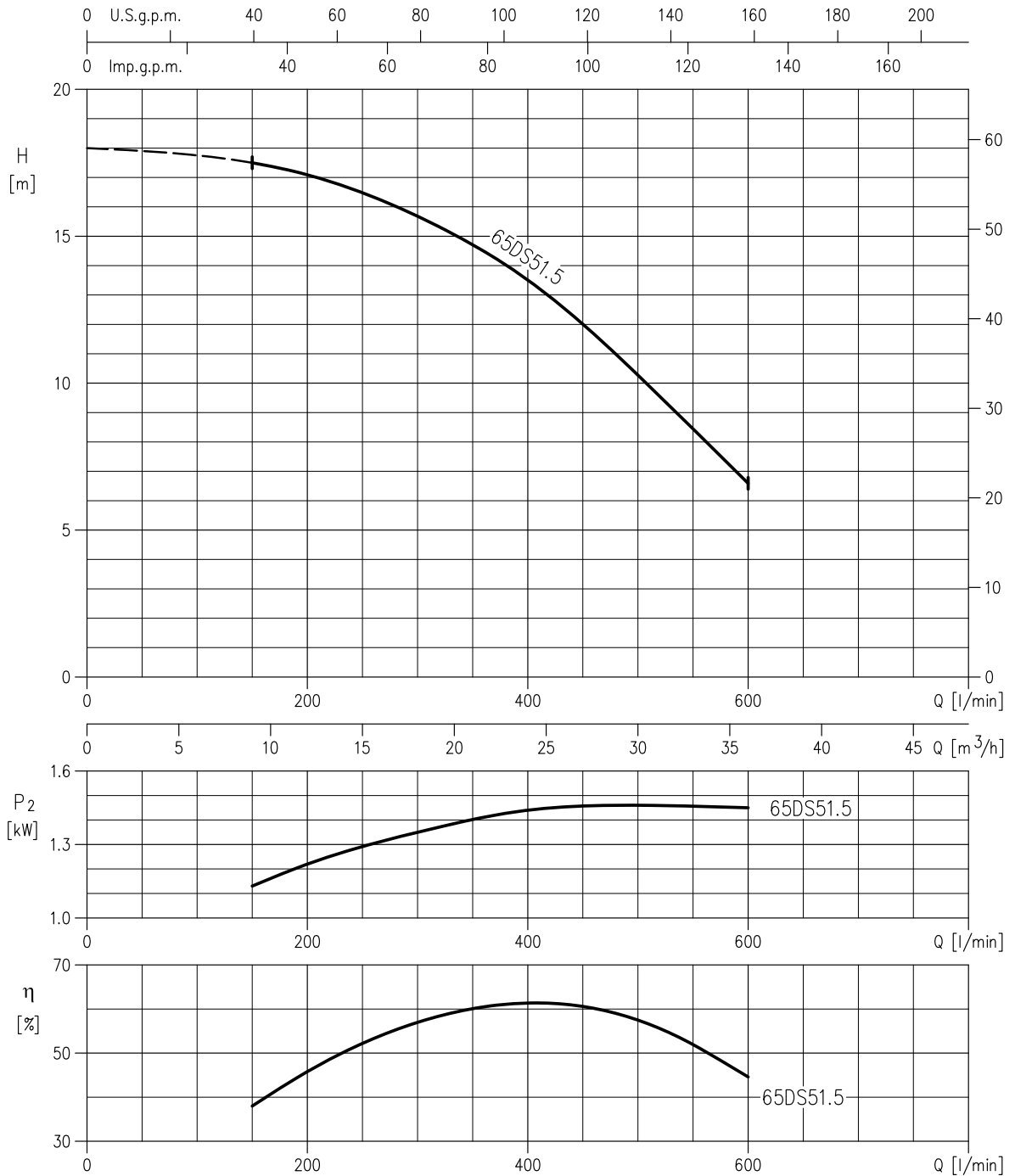
- Q = volume flow rate
- H = total head
- $P_2$  = pump power input (shaft power)
- $\eta$  = pump efficiency

50DS51.5 (1.5 kW)  
 50DS52.2 (2.2 kW)  
 50DS53.7 (3.7 kW)



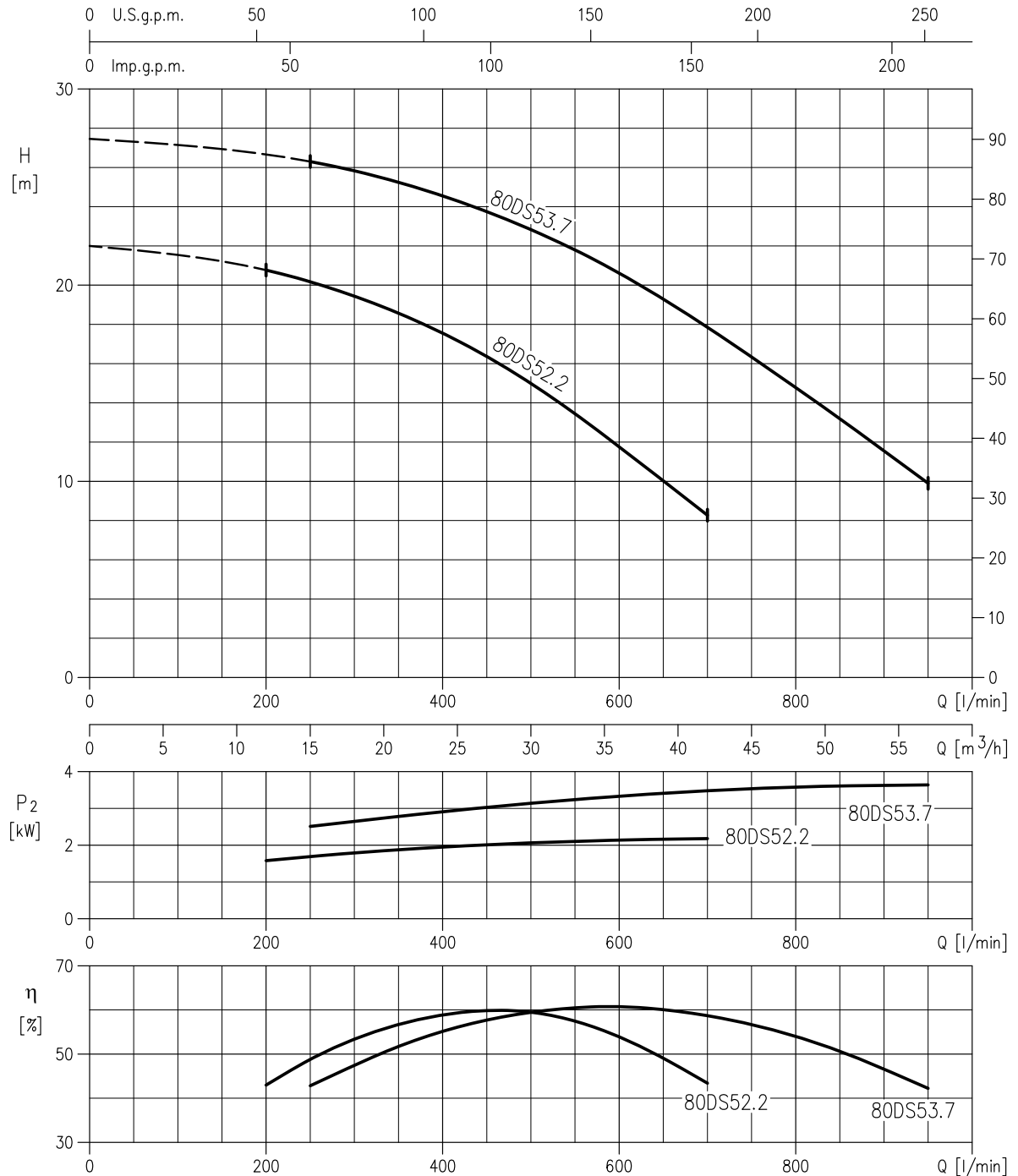
Rotation speed  $\approx 2850 \text{ min}^{-1}$   
 Test standard: ISO 9906 – Annex A

**65DS51.5 (1.5 kW)**



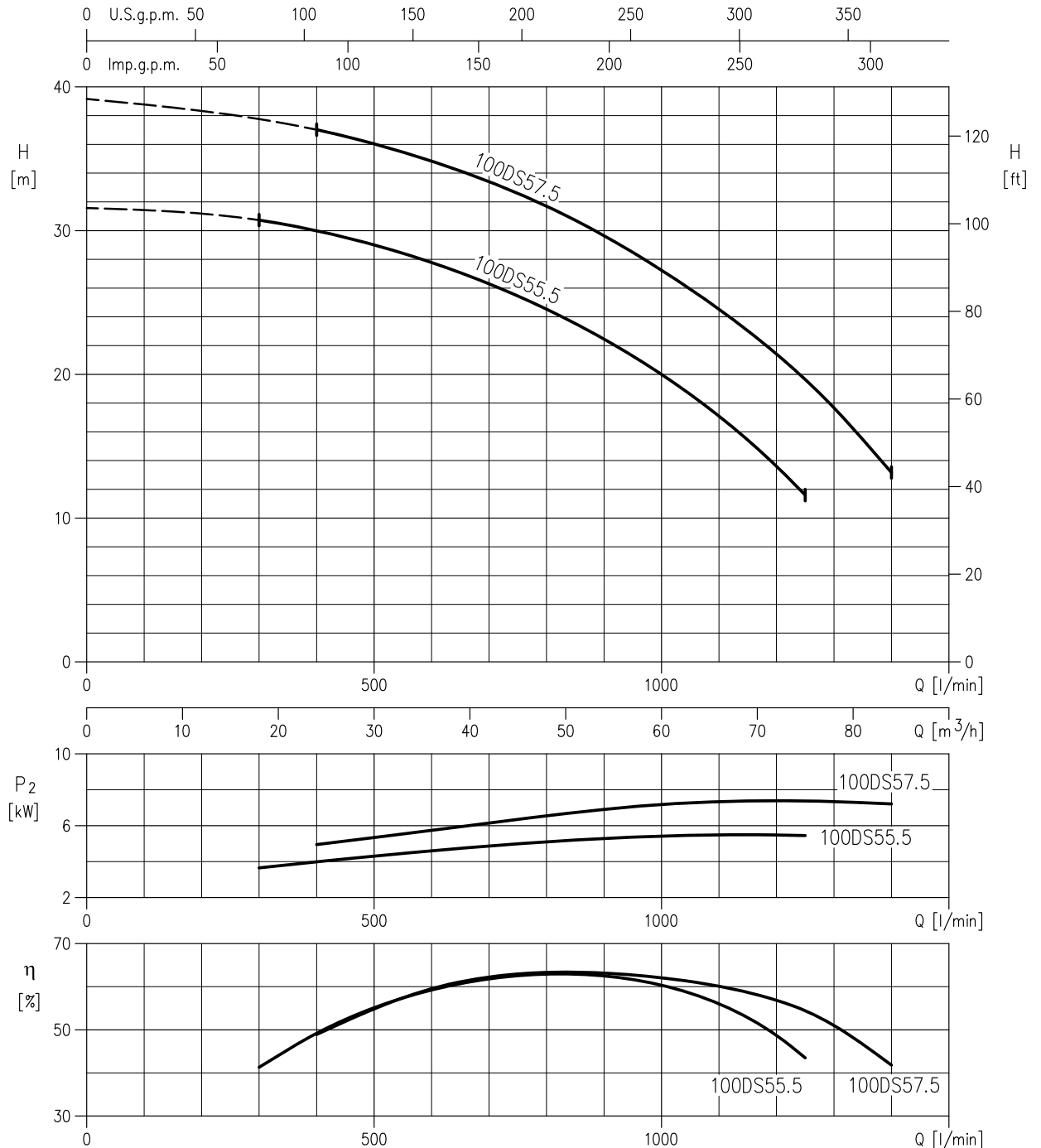
Rotation speed  $\approx 2850 \text{ min}^{-1}$   
 Test standard: ISO 9906 – Annex A

**80DS52.2 (2.2 kW)**  
**80DS53.7 (3.7 kW)**



Rotation speed  $\approx 2850 \text{ min}^{-1}$   
 Test standard: ISO 9906 – Annex A

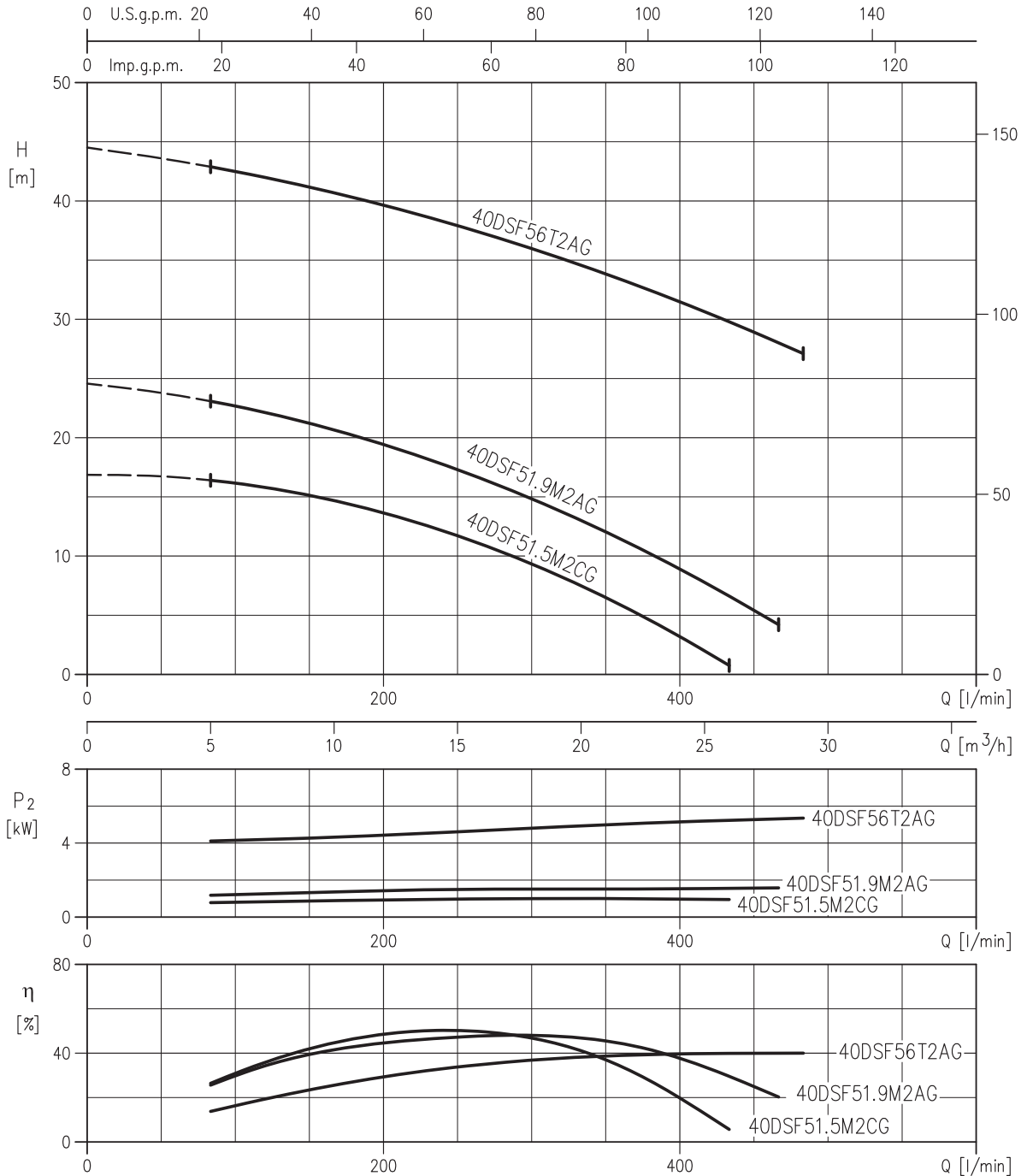
**100DS55.5 (5.5 kW)**  
**100DS57.5 (7.5 kW)**



Rotation speed  $\approx 2850 \text{ min}^{-1}$   
 Test standard: ISO 9906 – Annex A

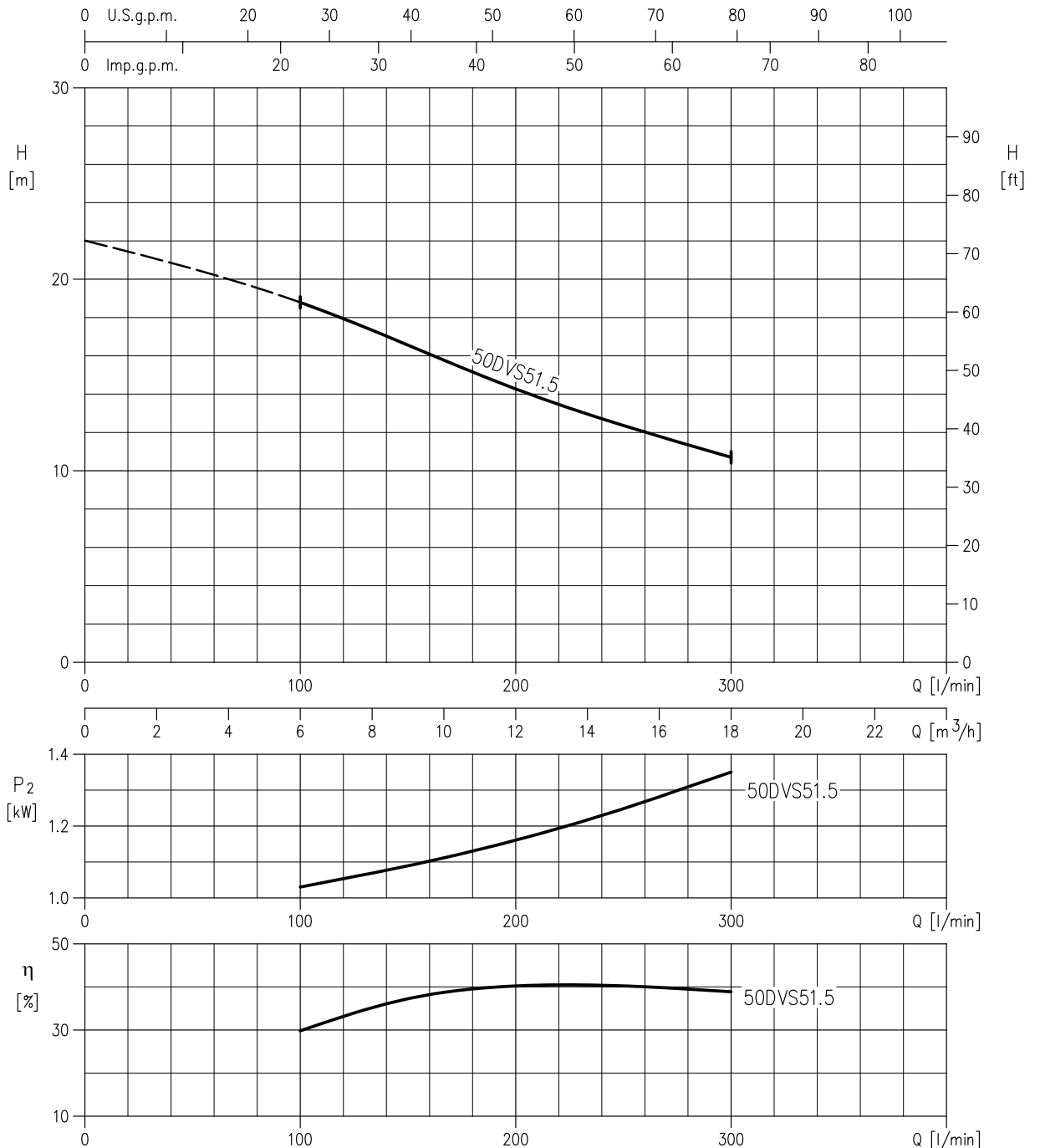


**40DSF51.5M2CG (1.5 kW)**  
**40DSF51.9M2AG (1.9 kW)**  
**40DSF56T2AG (6.0 kW)**



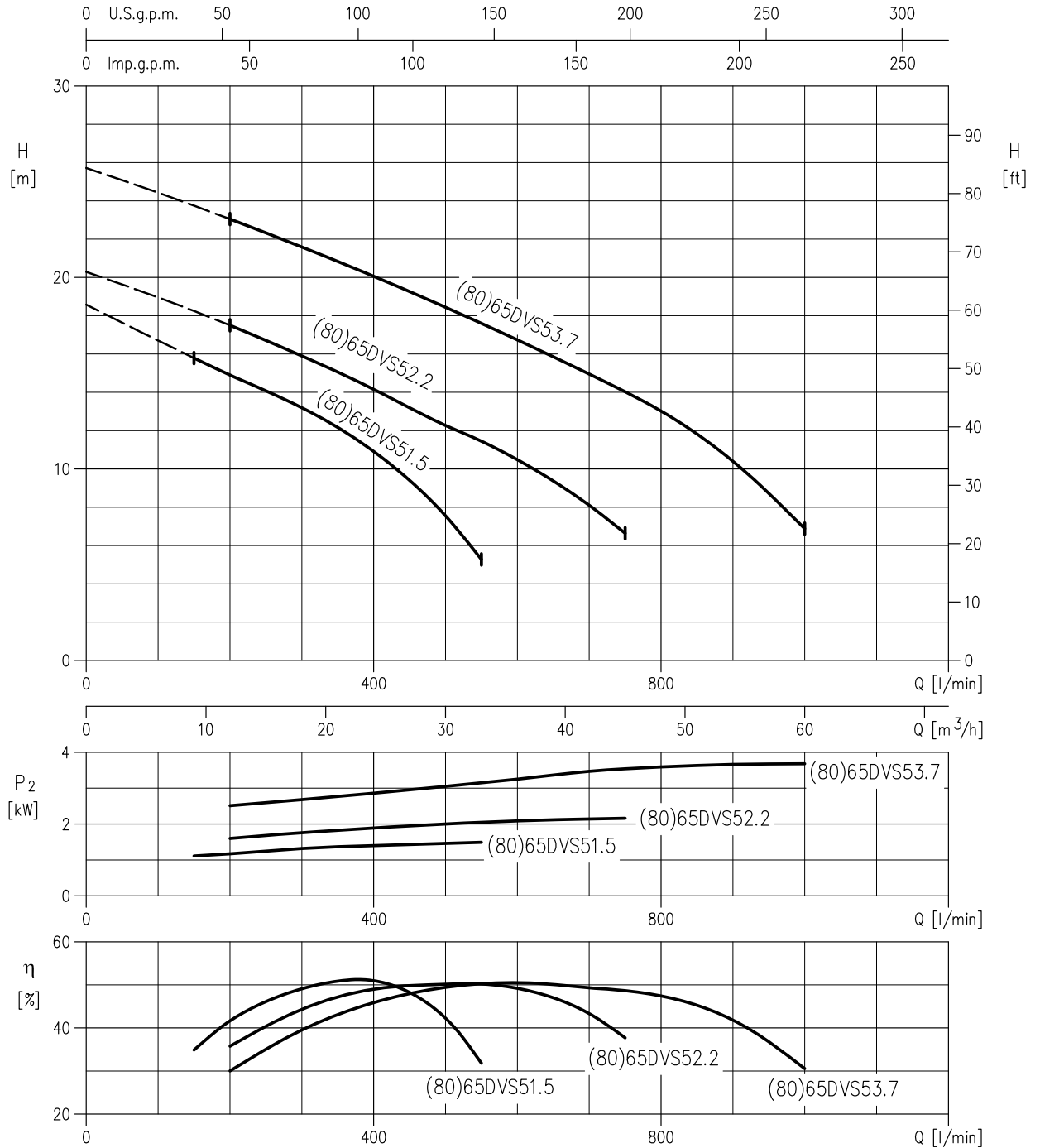
Rotation speed  $\approx 2850 \text{ min}^{-1}$   
 Test standard: ISO 9906 – Annex A

**50DVS51.5 (1.5 kW)**



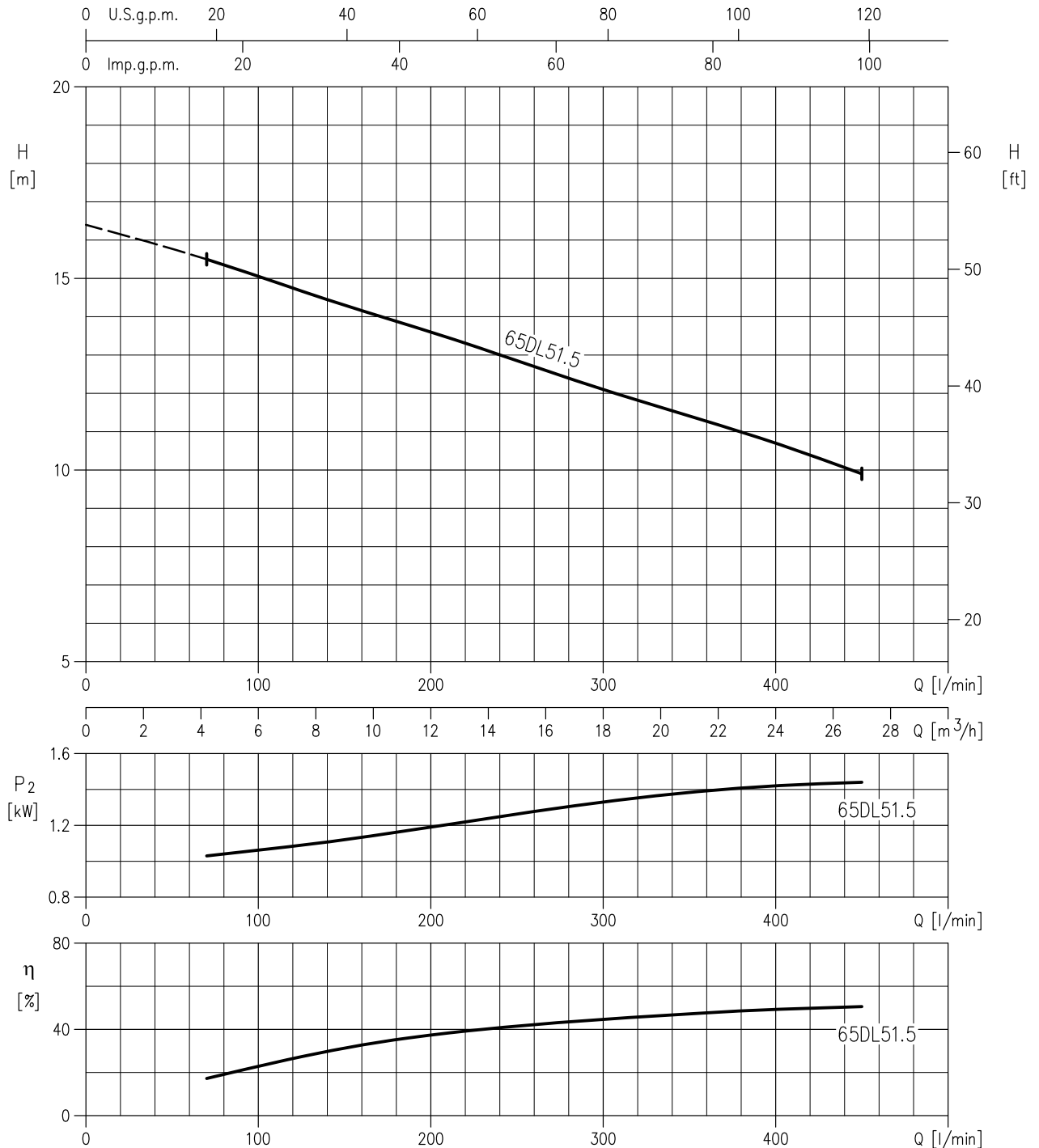
Rotation speed  $\approx 2850 \text{ min}^{-1}$   
 Test standard: ISO 9906 – Annex A

(80)65DVS51.5 (1.5 kW)  
 (80)65DVS52.2 (2.2 kW)  
 (80)65DVS53.7 (3.7 kW)



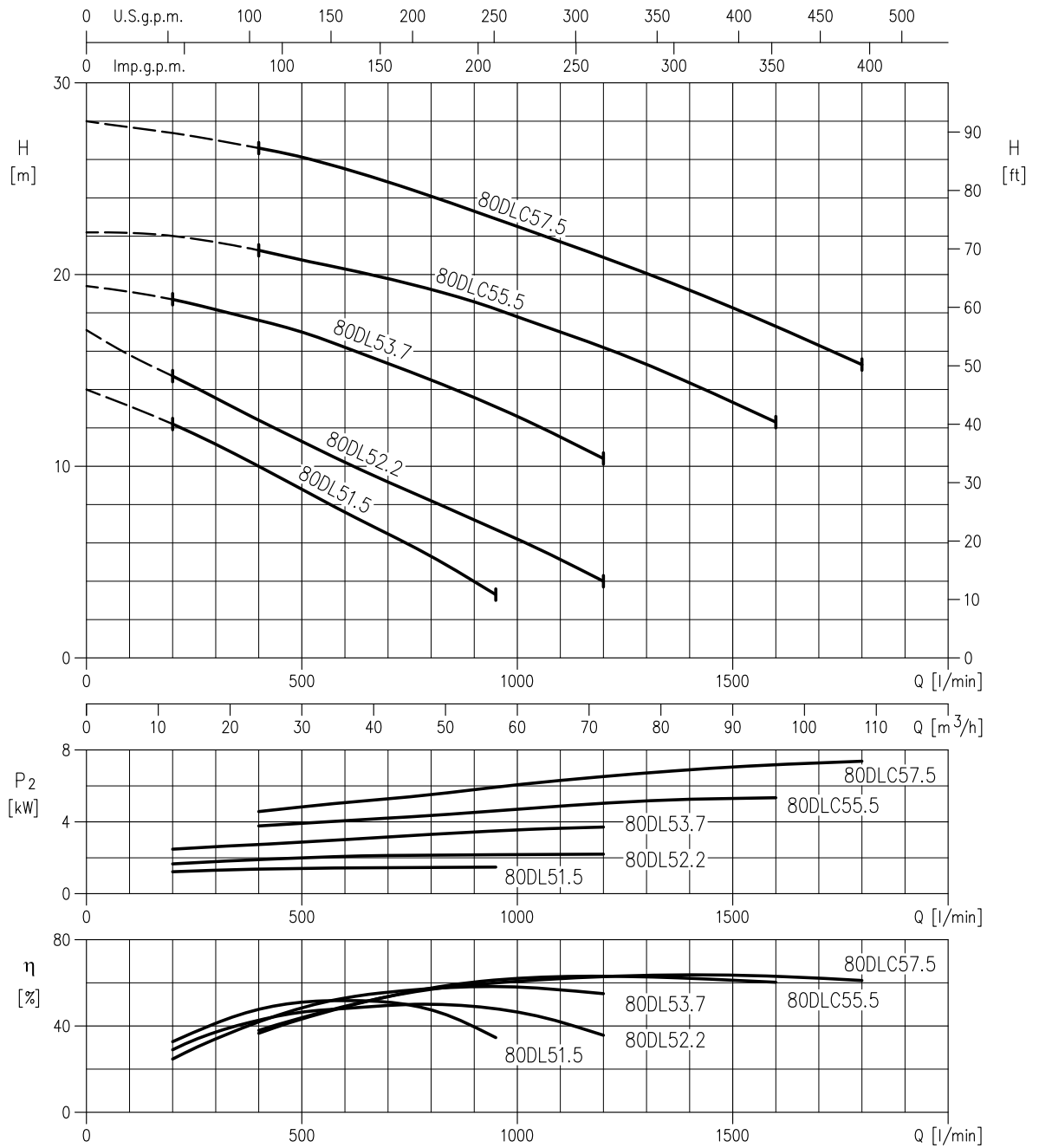
Rotation speed  $\approx 2850 \text{ min}^{-1}$   
 Test standard: ISO 9906 – Annex A

**65DL51.5 (1.5 kW)**



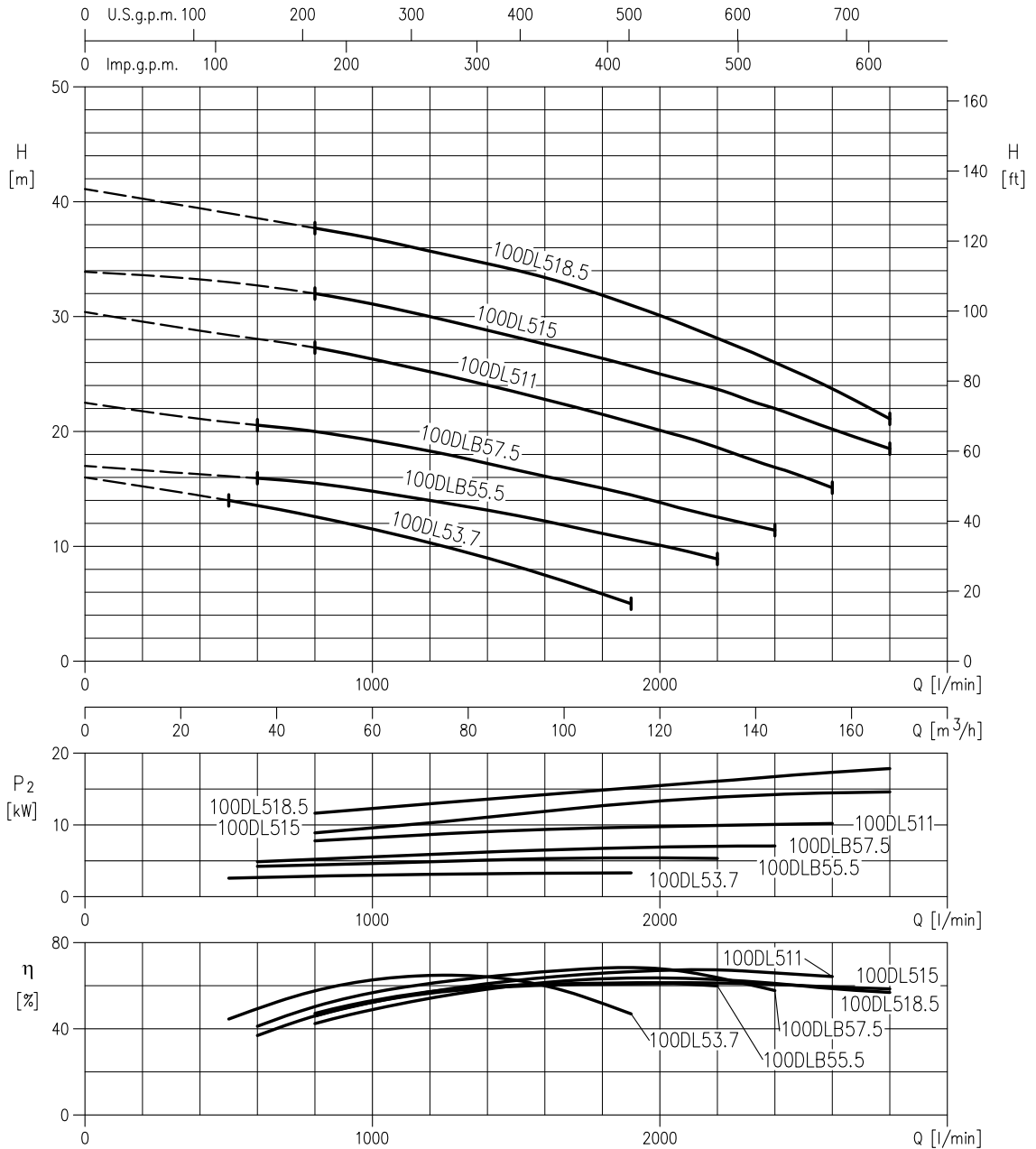
Rotation speed  $\approx 1450 \text{ min}^{-1}$   
 Test standard: ISO 9906 – Annex A

80DL51.5 (1.5 kW)  
 80DL52.2 (2.2 kW)  
 80DL53.7 (3.7 kW)  
 80DLC55.5 (5.5 kW)  
 80DLC57.5 (7.5 kW)



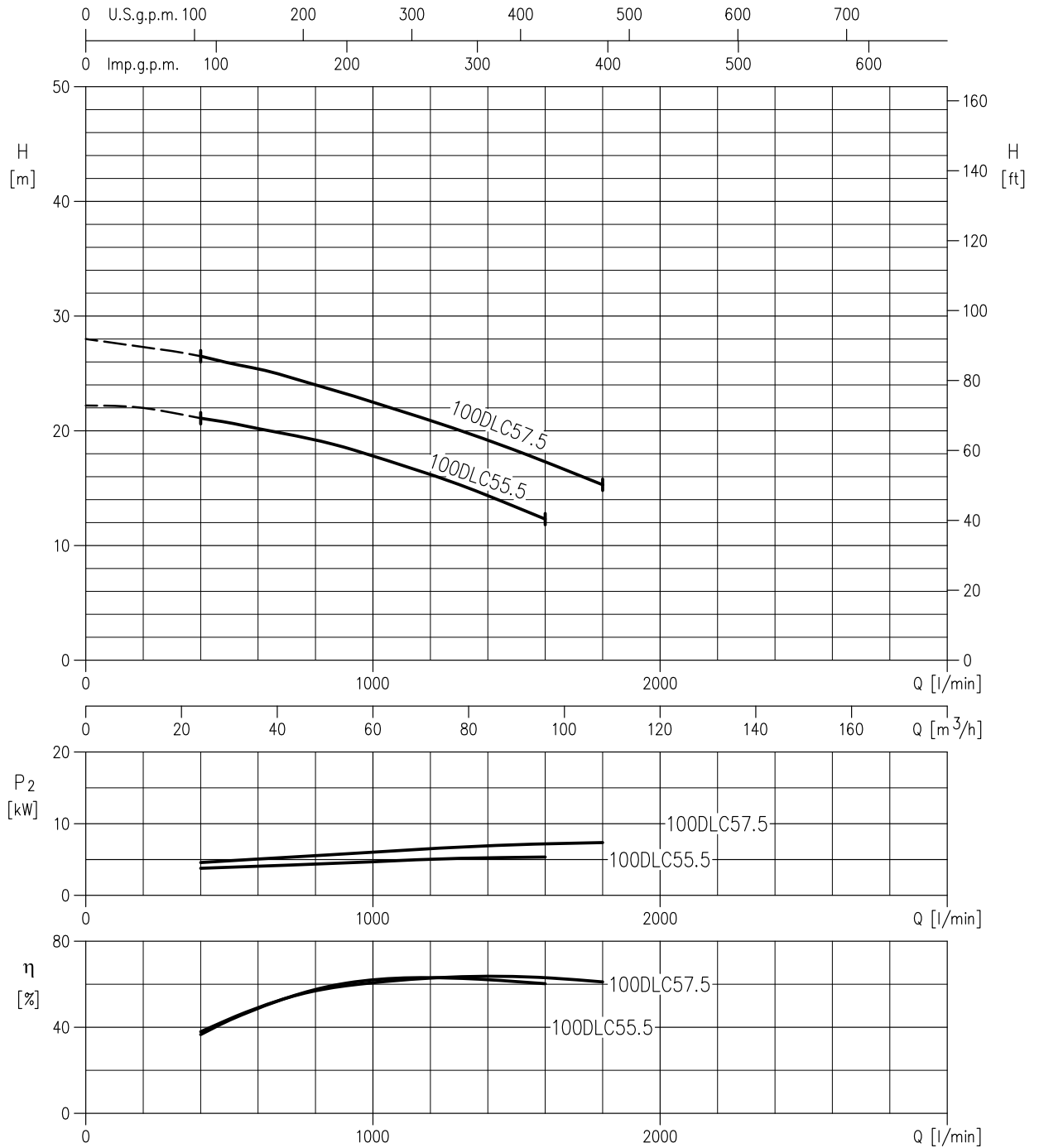
Rotation speed  $\approx 1450 \text{ min}^{-1}$   
 Test standard: ISO 9906 – Annex A

**100DL53.7 (3.7 kW)**  
**100DLB55.5 (5.5 kW)**  
**100DLB57.5 (7.5 kW)**  
**100DL511 (11 kW)**  
**100DL515 (15 kW)**  
**100DL518.5 (18.5 kW)**



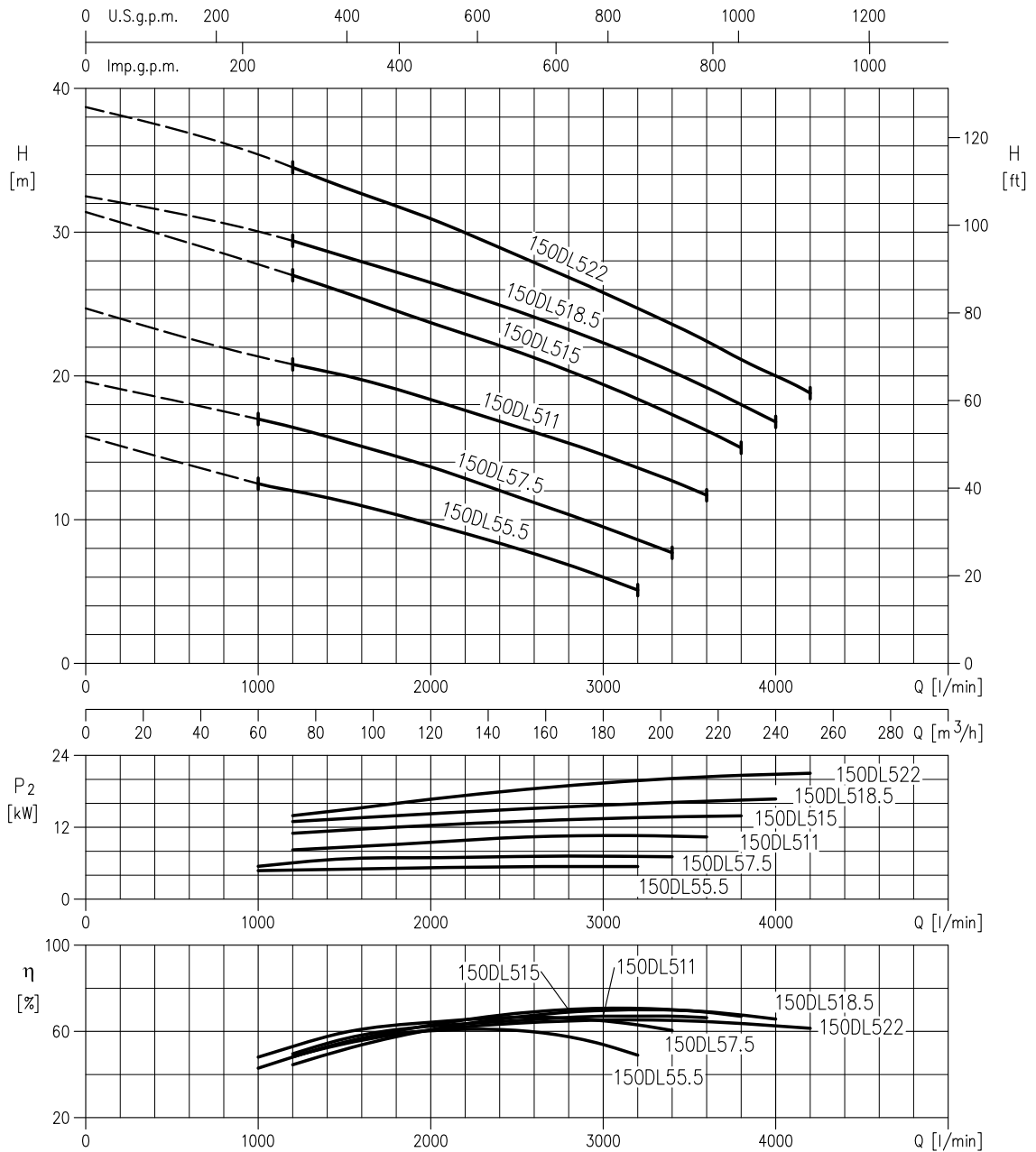
Rotation speed  $\approx 1450 \text{ min}^{-1}$   
 Test standard: ISO 9906 – Annex A

**100DLC55.5 (5.5 kW)**  
**100DLC57.5 (7.5 kW)**



Rotation speed  $\approx 1450 \text{ min}^{-1}$   
 Test standard: ISO 9906 – Annex A

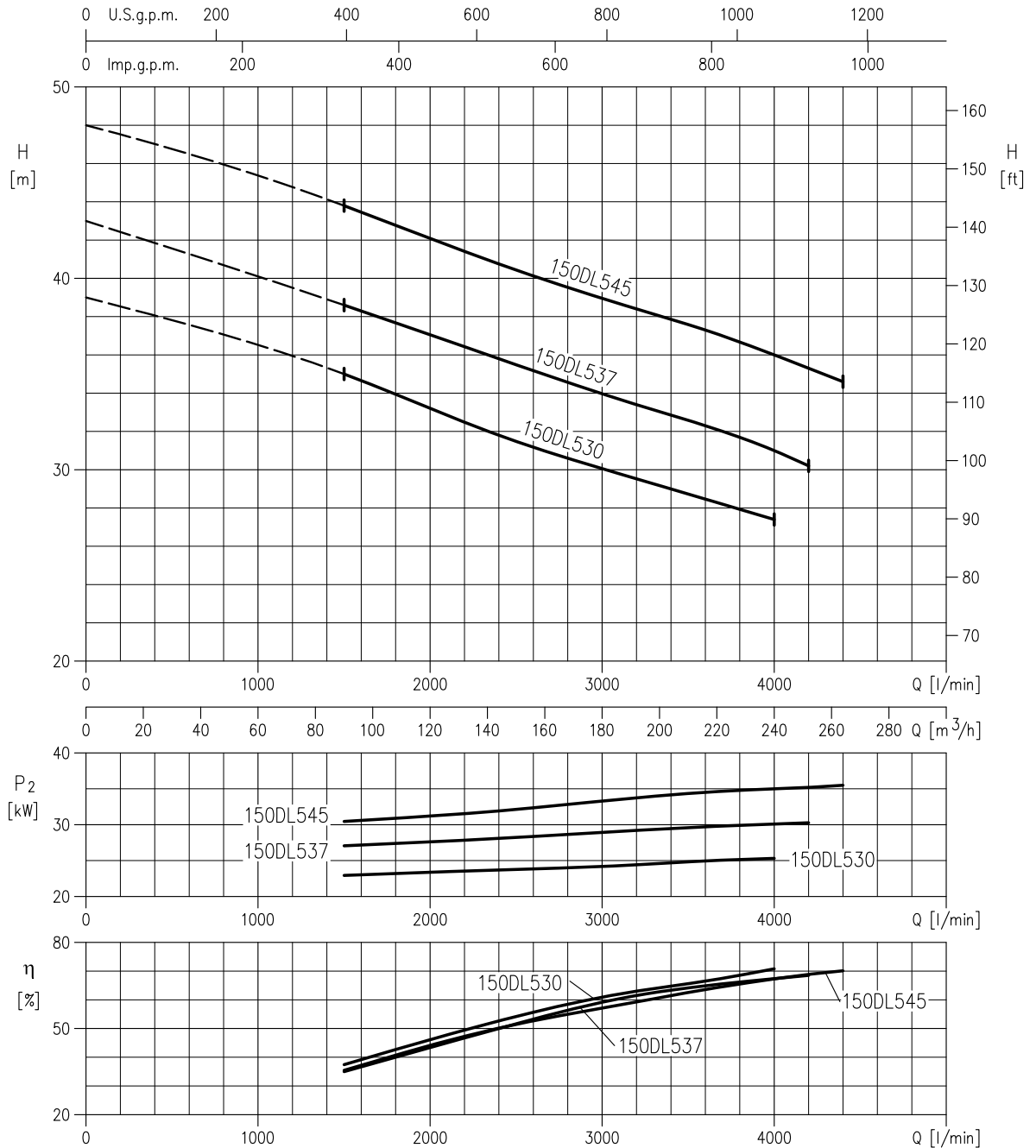
**150DL55.5 (5.5 kW)**  
**150DL57.5 (7.5 kW)**  
**150DL511 (11 kW)**  
**150DL515 (15 kW)**  
**150DL518.5 (18.5 kW)**  
**150DL522 (22 kW)**



Rotation speed  $\approx 1450 \text{ min}^{-1}$   
 Test standard: ISO 9906 – Annex A

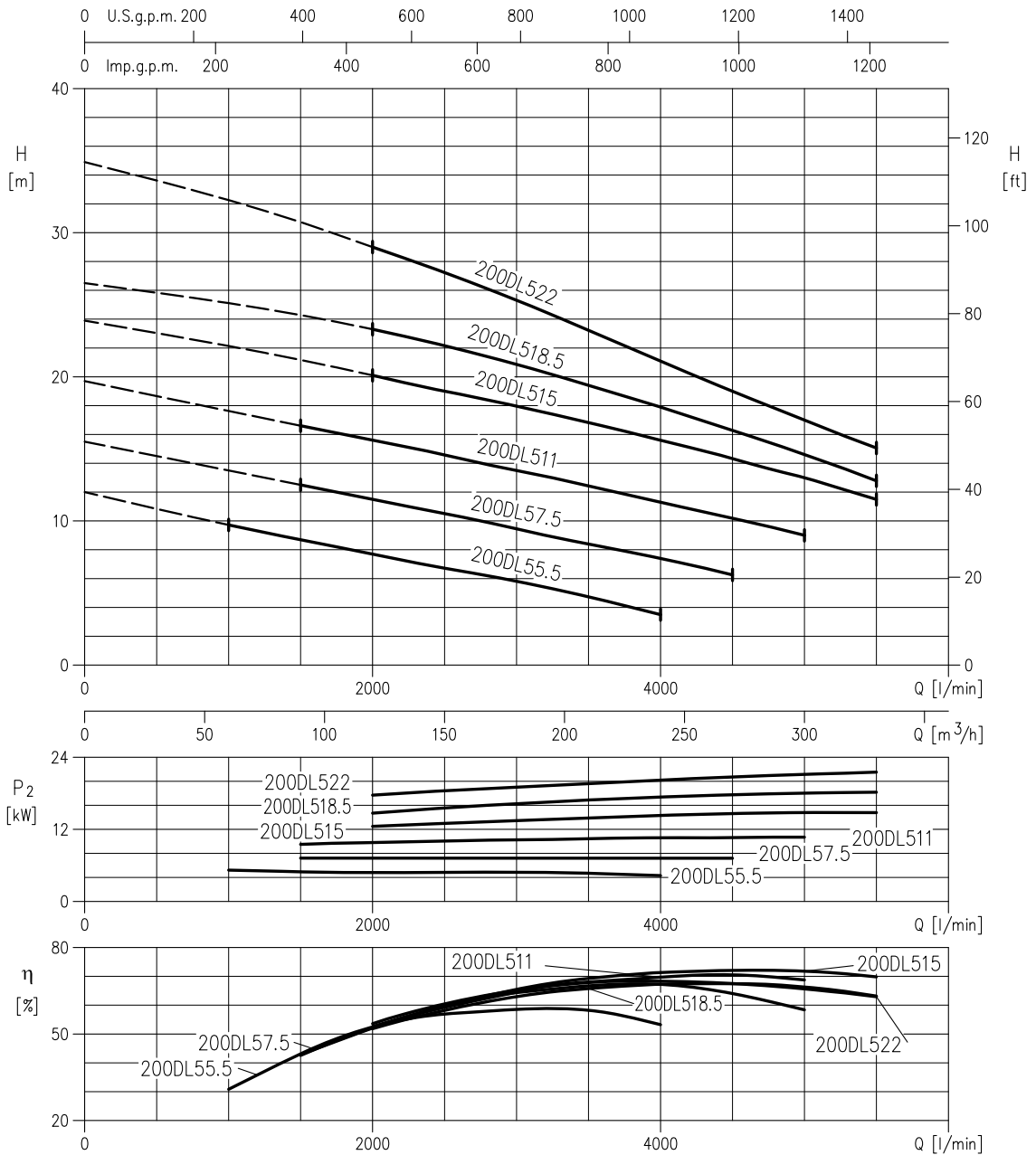


**150DL530 (30 kW)  
150DL537 (37 kW)  
150DL545 (45 kW)**



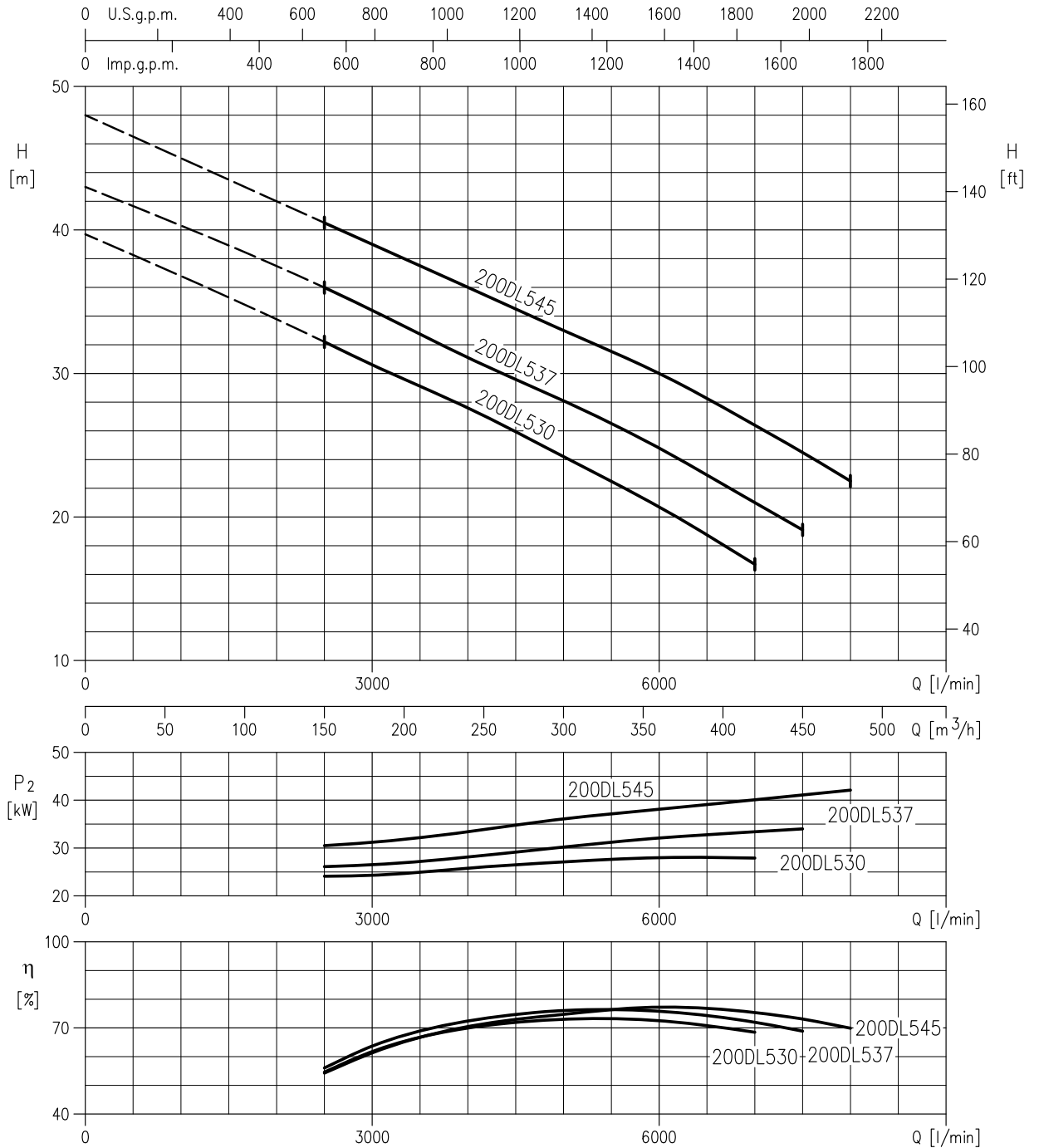
Rotation speed  $\approx 1450 \text{ min}^{-1}$   
Test standard: ISO 9906 – Annex A

**200DL55.5 (5.5 kW)**  
**200DL57.5 (7.5 kW)**  
**200DL511 (11 kW)**  
**200DL515 (15 kW)**  
**200DL518.5 (18.5 kW)**  
**200DL522 (22 kW)**



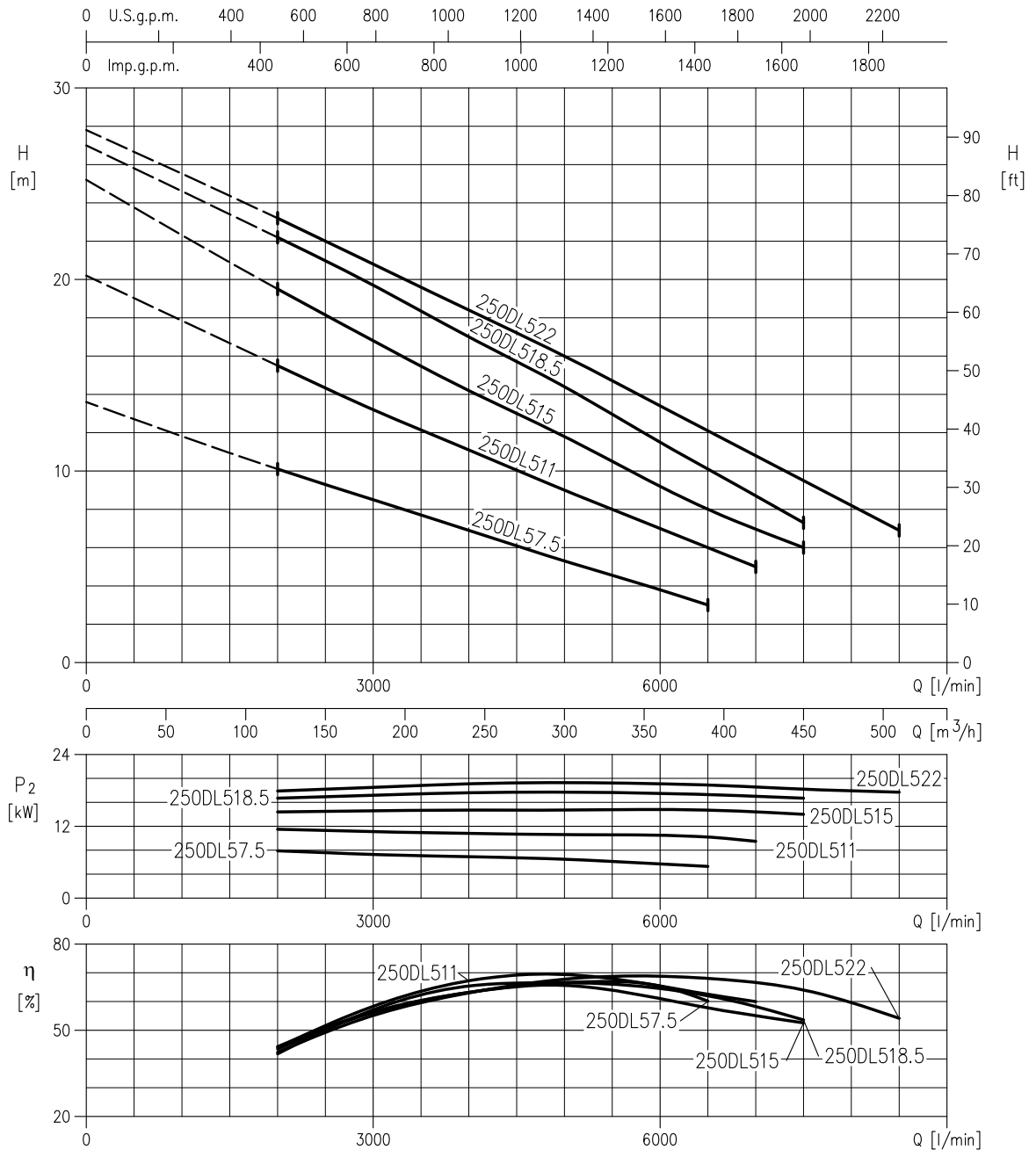
Rotation speed  $\approx 1450 \text{ min}^{-1}$   
 Test standard: ISO 9906 – Annex A

**200DL530 (30 kW)  
200DL537 (37 kW)  
200DL545 (45 kW)**



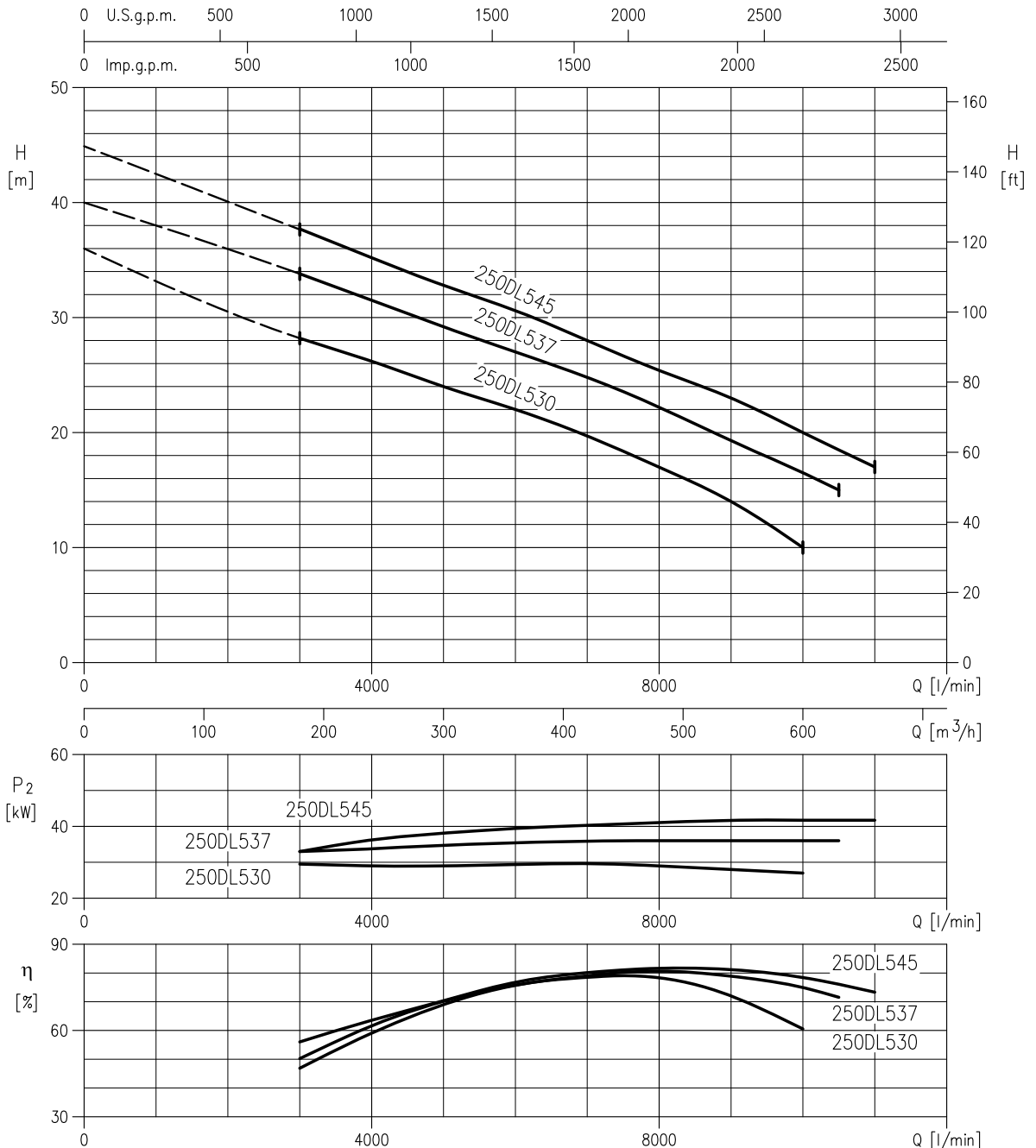
Rotation speed  $\approx 1450 \text{ min}^{-1}$   
Test standard: ISO 9906 – Annex A

**250DL57.5 (7.5 kW)**  
**250DL511 (11 kW)**  
**250DL515 (15 kW)**  
**250DL518.5 (18.5 kW)**  
**250DL522 (22 kW)**



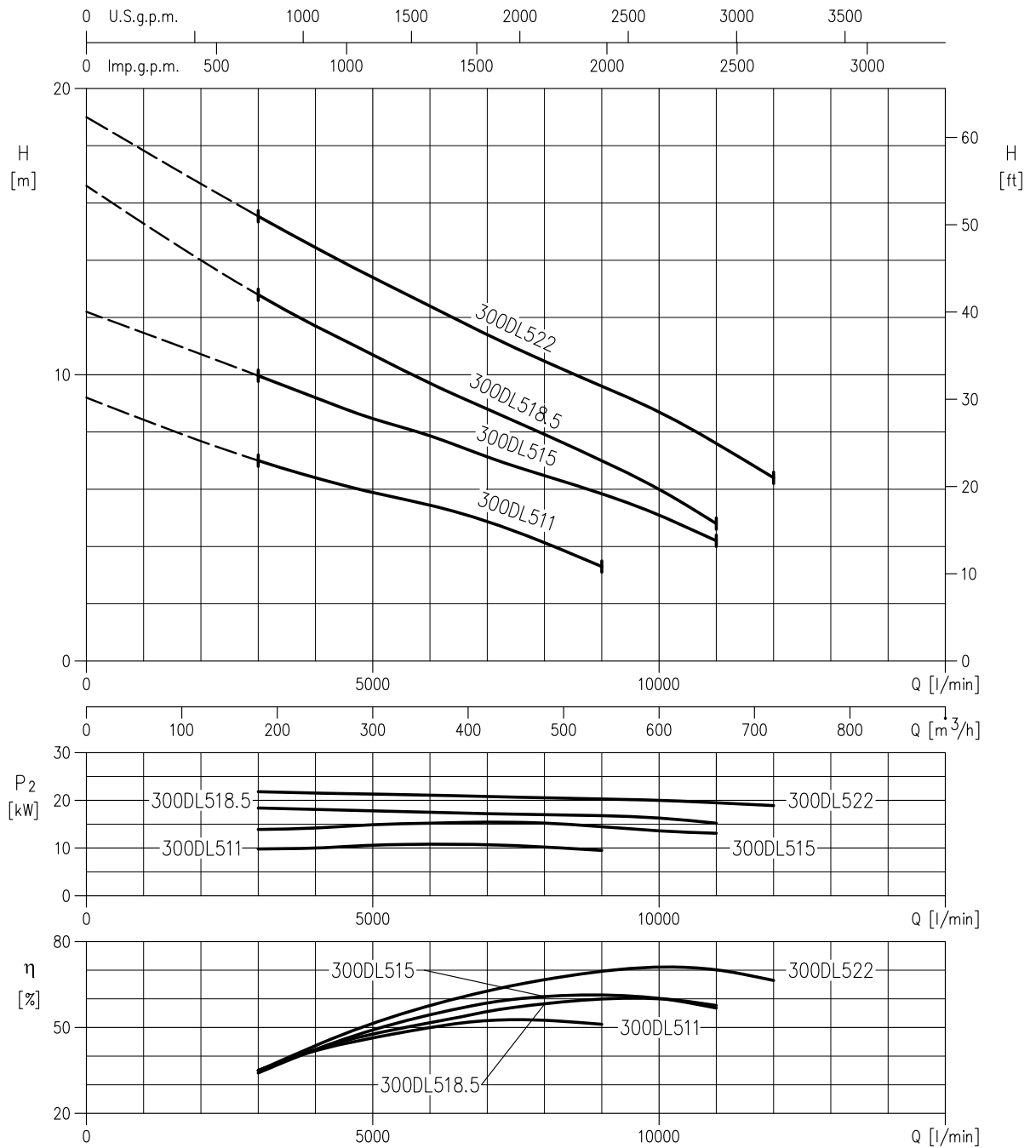
Rotation speed  $\approx 1450 \text{ min}^{-1}$   
 Test standard: ISO 9906 – Annex A

**250DL530 (30 kW)**  
**250DL537 (37 kW)**  
**250DL545 (45 kW)**



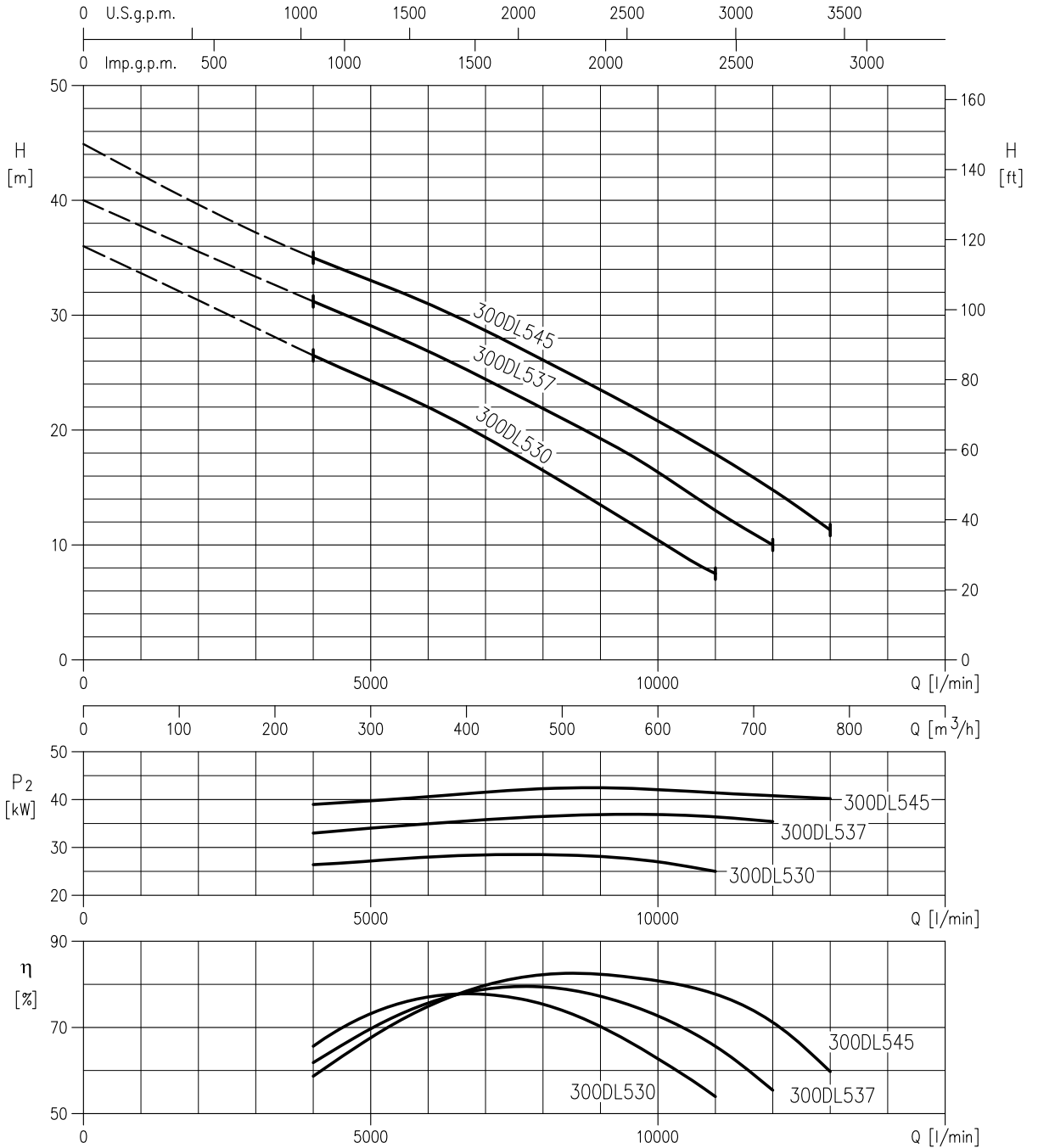
Rotation speed  $\approx 1450 \text{ min}^{-1}$   
 Test standard: ISO 9906 – Annex A

**300DL511 (11 kW)**  
**300DL515 (15 kW)**  
**300DL518.5 (18.5 kW)**  
**300DL522 (22 kW)**



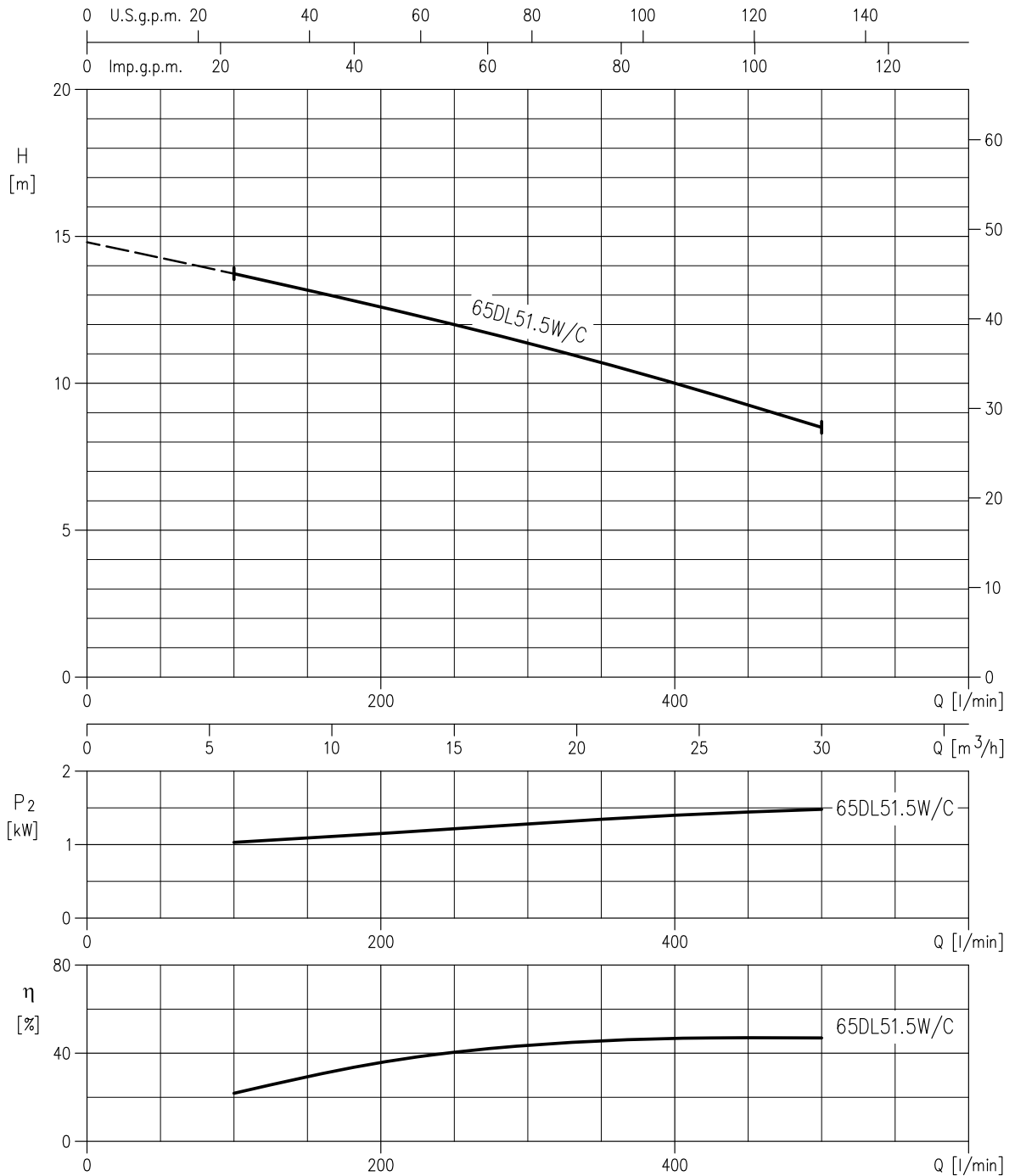
Rotation speed  $\approx 1450 \text{ min}^{-1}$   
 Test standard: ISO 9906 – Annex A

**300DL530 (30 kW)**  
**300DL537 (37 kW)**  
**300DL545 (45 kW)**



Rotation speed  $\approx 1450 \text{ min}^{-1}$   
 Test standard: ISO 9906 – Annex A

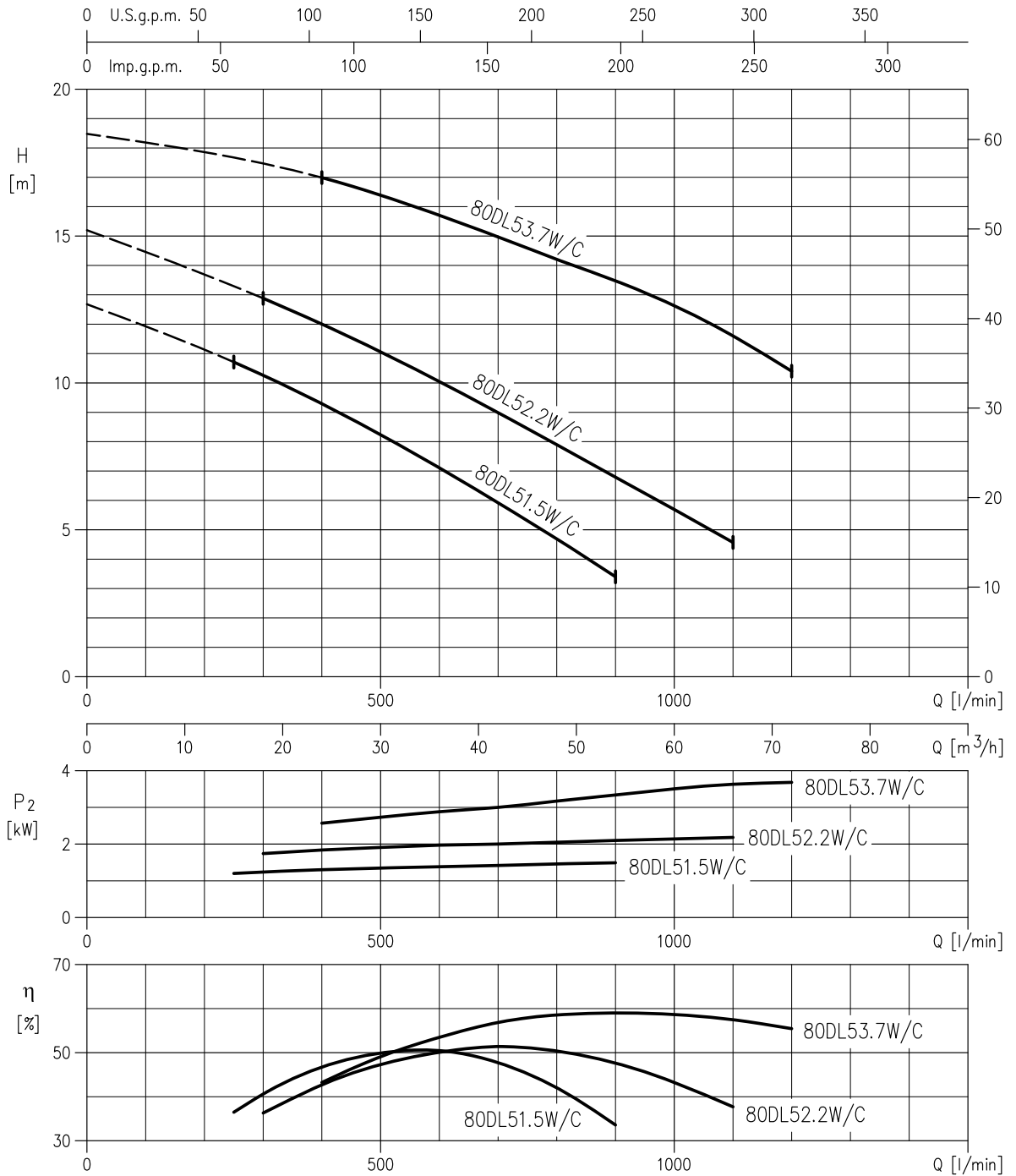
**65DL51.5W/C (1.5 kW)**



Rotation speed  $\approx 1450 \text{ min}^{-1}$   
 Test standard: ISO 9906 – Annex A

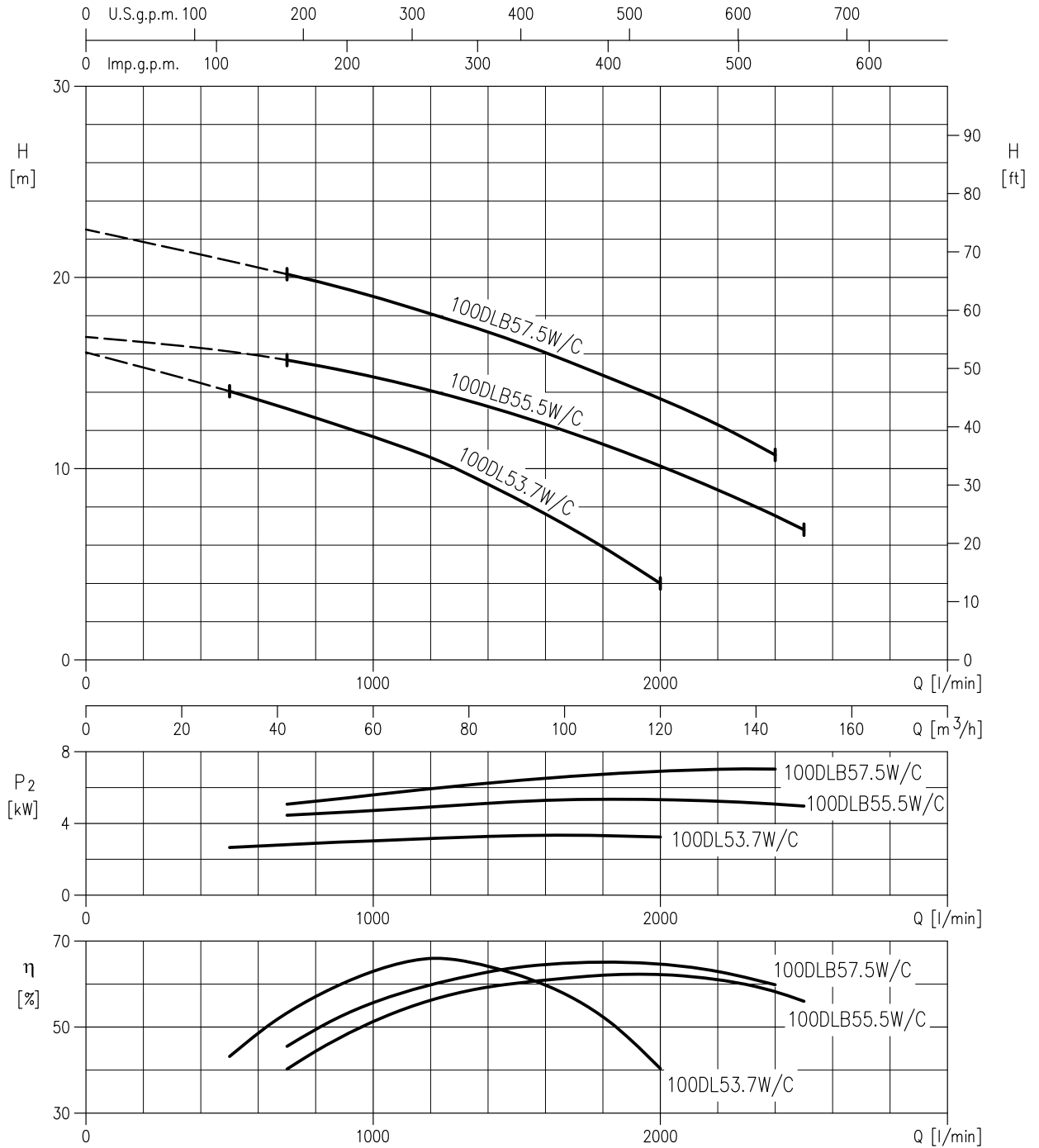


80DL51.5W/C (1.5 kW)  
 80DL52.2W/C (2.2 kW)  
 80DL53.7W/C (3.7 kW)



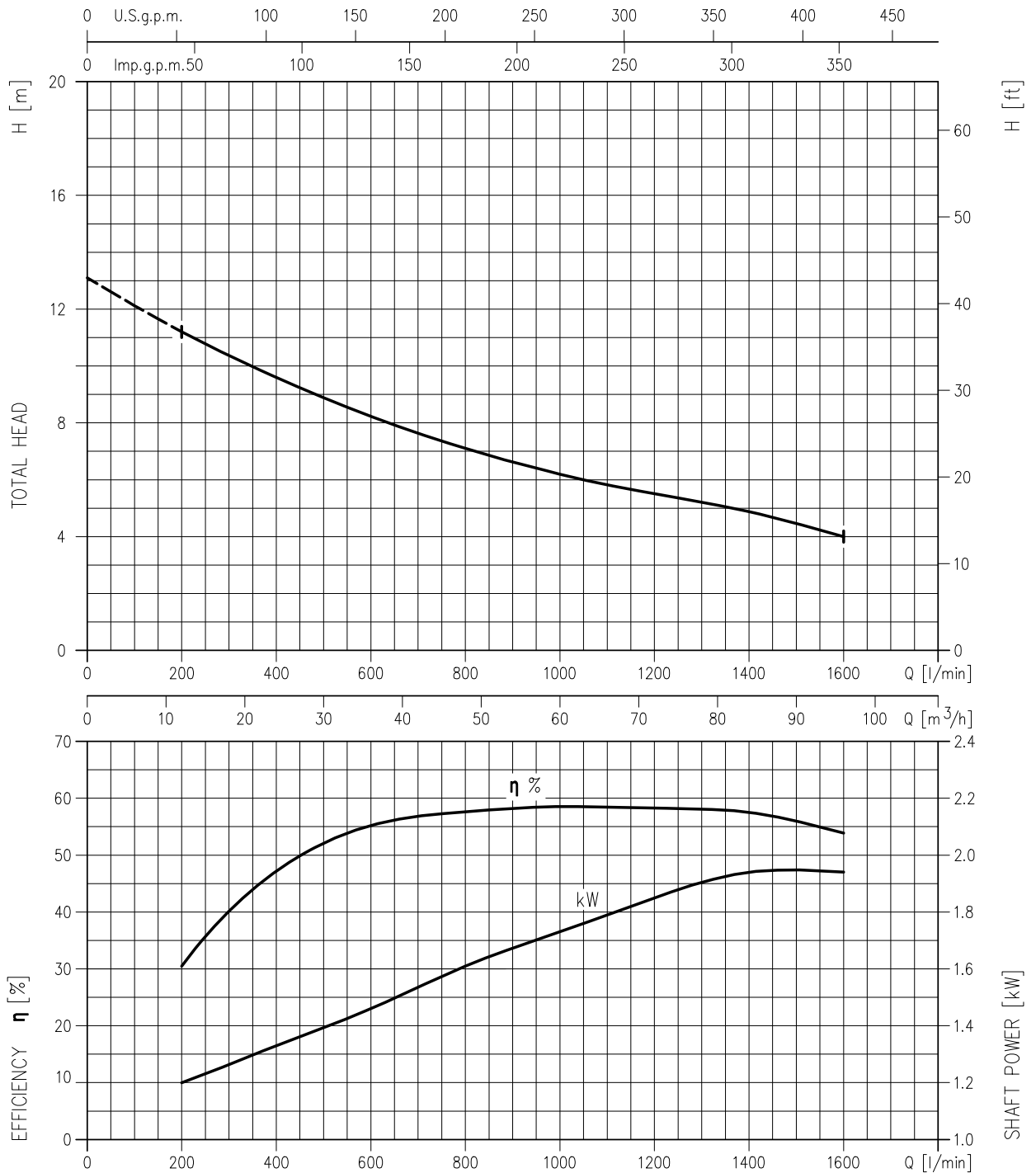
Rotation speed  $\approx 1450 \text{ min}^{-1}$   
 Test standard: ISO 9906 – Annex A

**100DL53.7W/C (3.7 kW)**  
**100DLB55.5W/C (5.5 kW)**  
**100DLB57.5W/C (7.5 kW)**



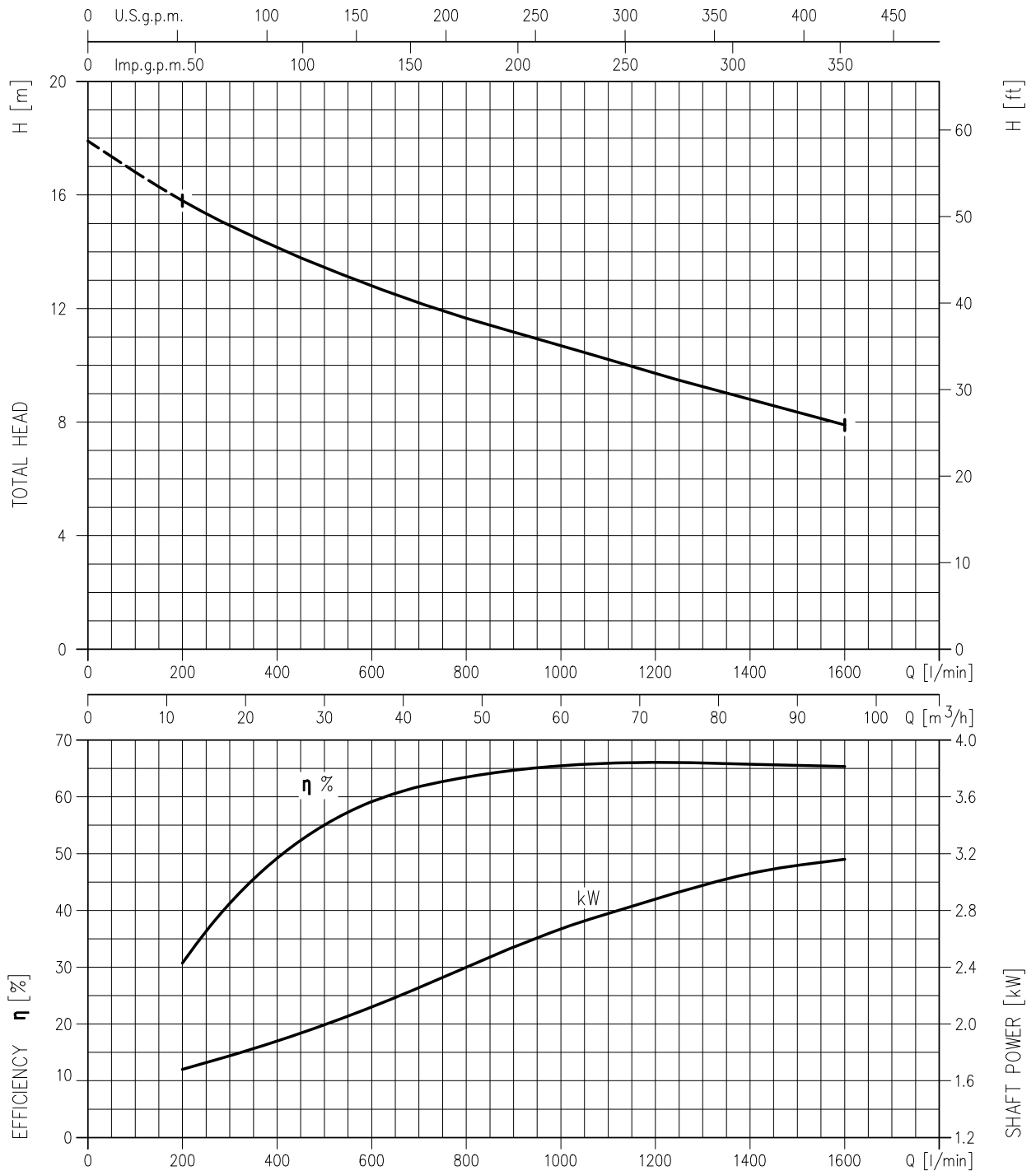
Rotation speed  $\approx 1450 \text{ min}^{-1}$   
 Test standard: ISO 9906 – Annex A

**80DML52.2 (2.2 kW)**



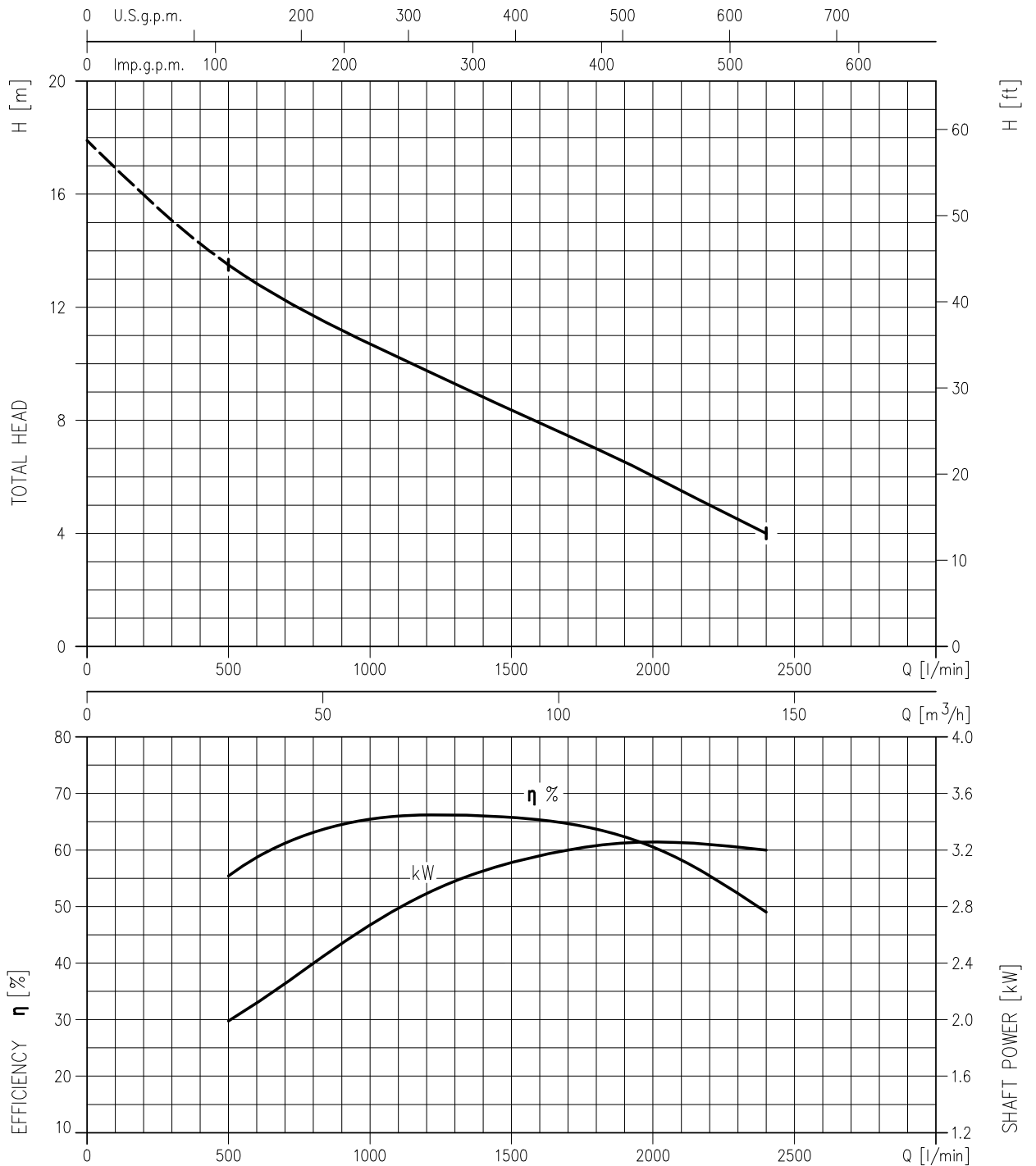
Rotation speed  $\approx 1450 \text{ min}^{-1}$   
 Test standard: ISO 9906 – Annex A

**80DML53.7 (3.7 kW)**



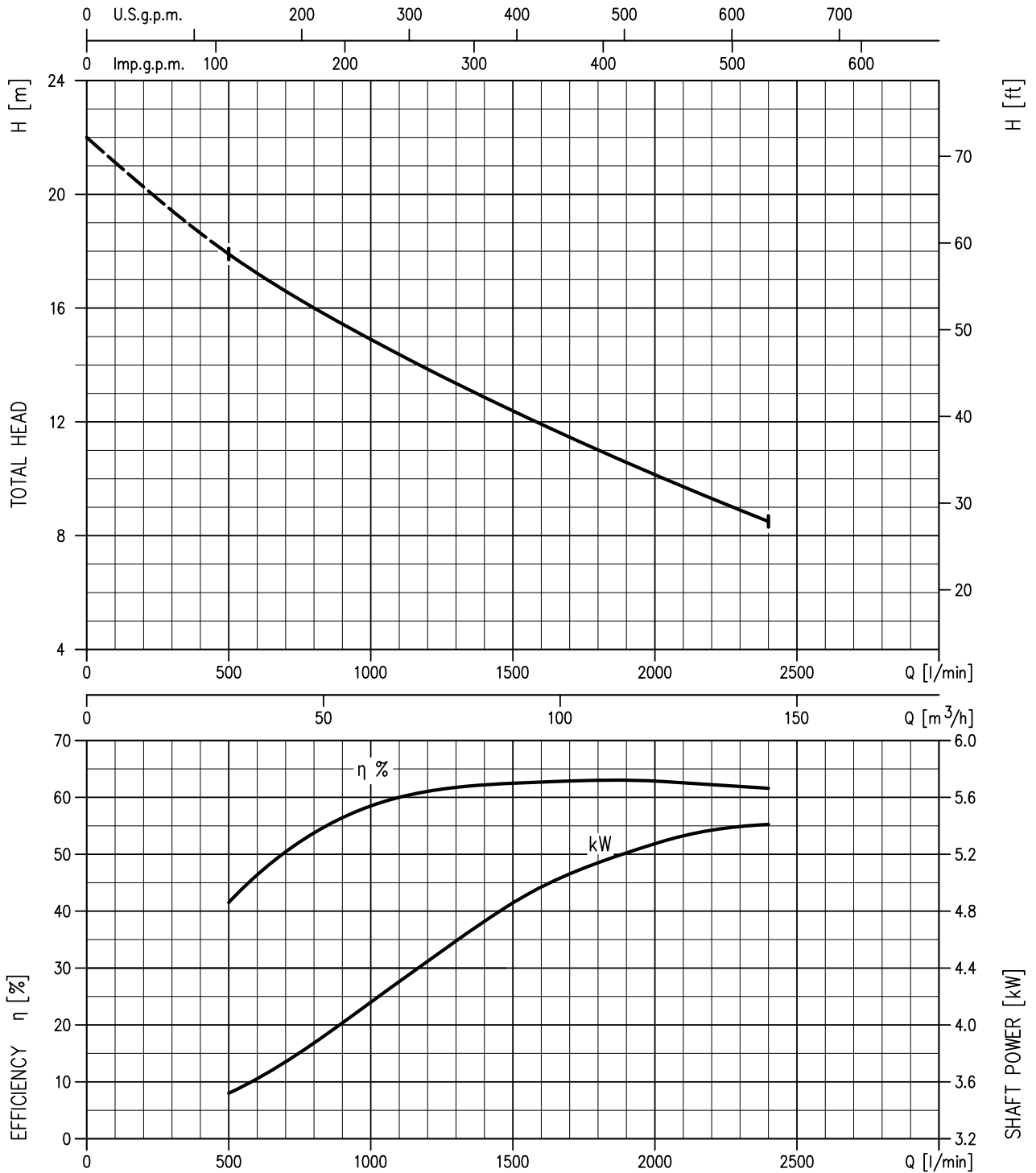
Rotation speed  $\approx 1450 \text{ min}^{-1}$   
 Test standard: ISO 9906 – Annex A

**100DML53.7 (3.7 kW)**



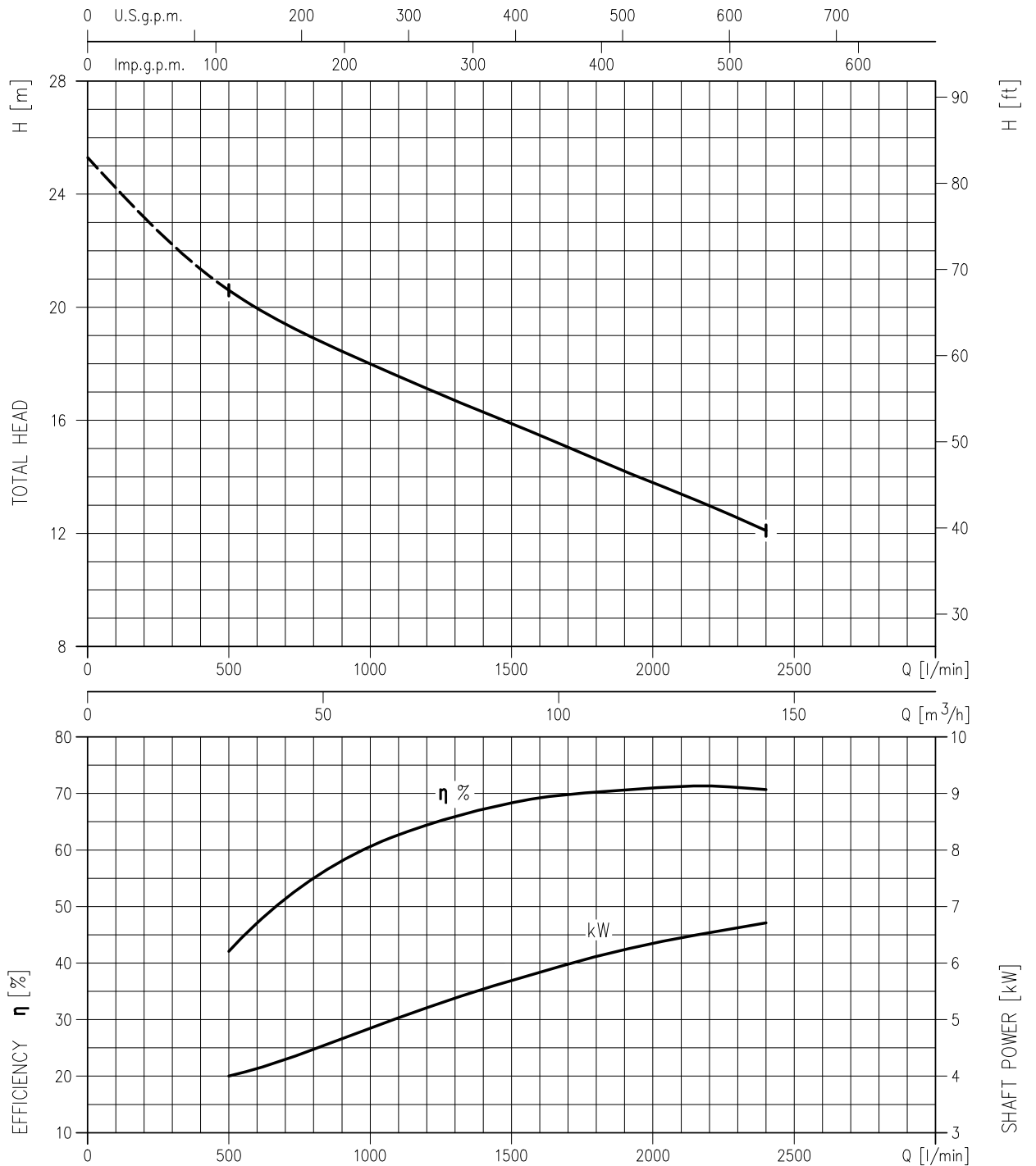
Rotation speed  $\approx 1450 \text{ min}^{-1}$   
 Test standard: ISO 9906 – Annex A

**100DML55.5 (5.5 kW)**



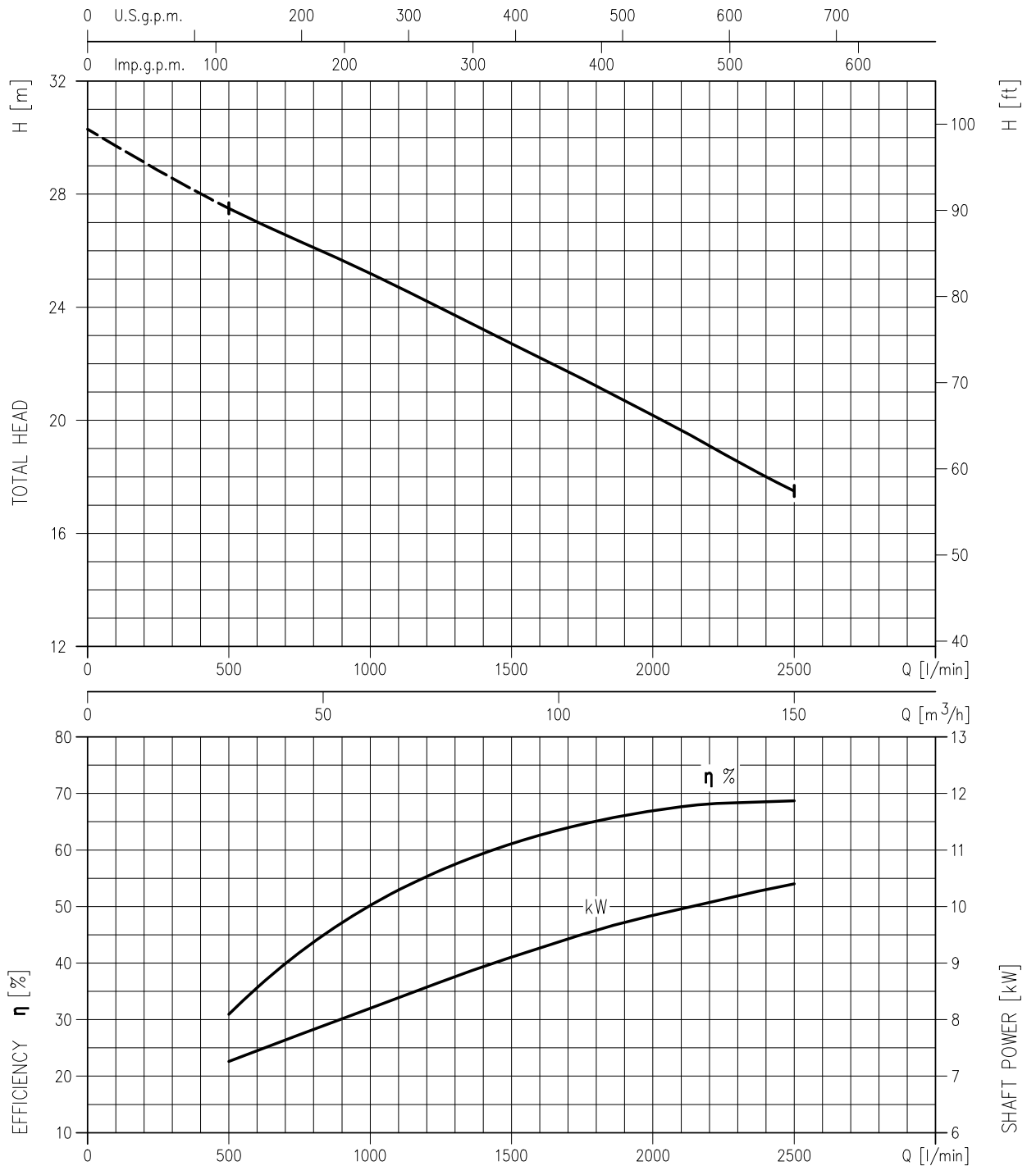
Rotation speed  $\approx 1450 \text{ min}^{-1}$   
 Test standard: ISO 9906 – Annex A

**100DML57.5 (7.5 kW)**



Rotation speed  $\approx 1450 \text{ min}^{-1}$   
 Test standard: ISO 9906 – Annex A

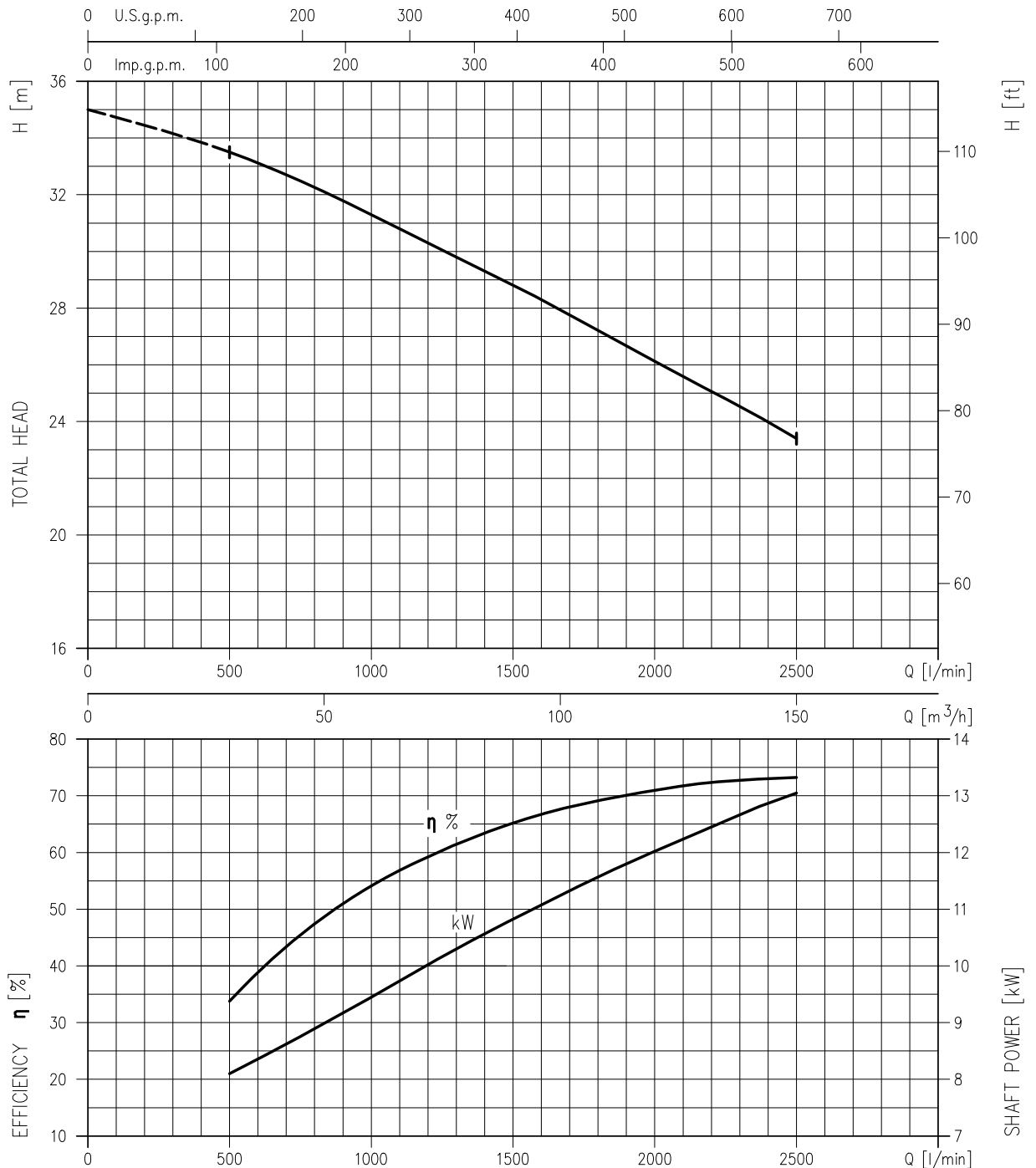
**100DML511 (11 kW)**



Rotation speed  $\approx 1450 \text{ min}^{-1}$   
 Test standard: ISO 9906 – Annex A

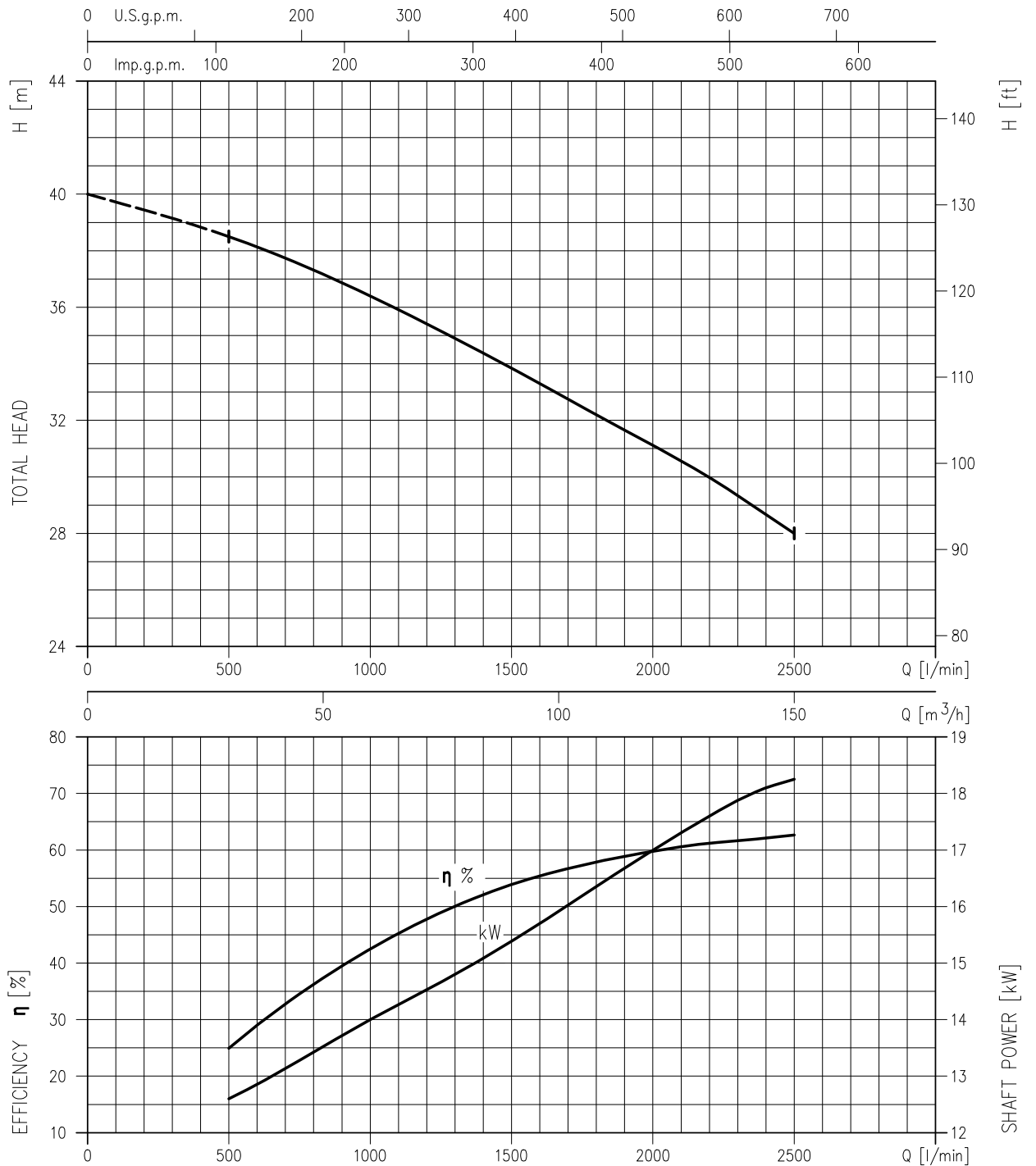


**100DML515 (15 kW)**



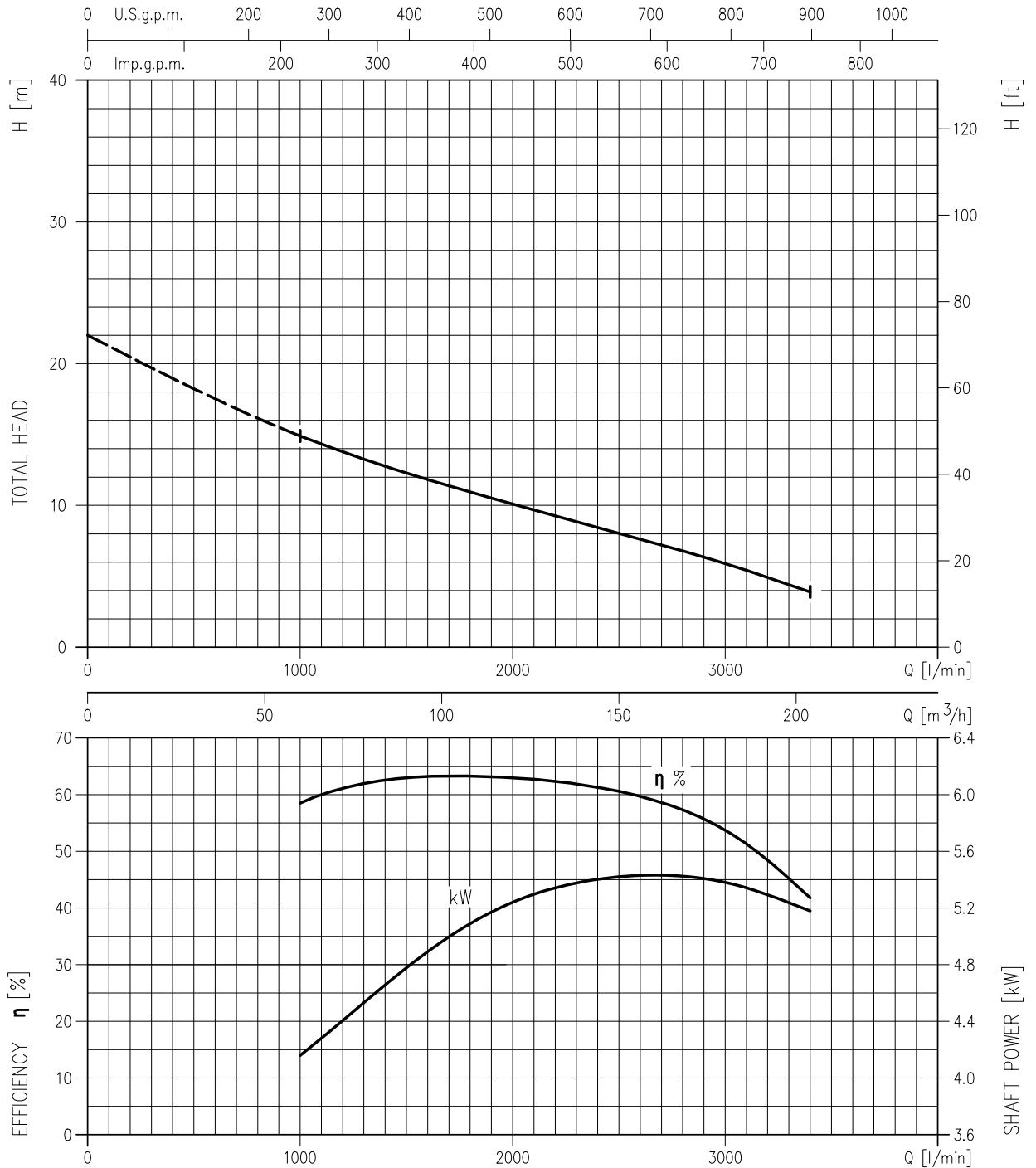
Rotation speed  $\approx 1450 \text{ min}^{-1}$   
 Test standard: ISO 9906 – Annex A

**100DML522 (22 kW)**



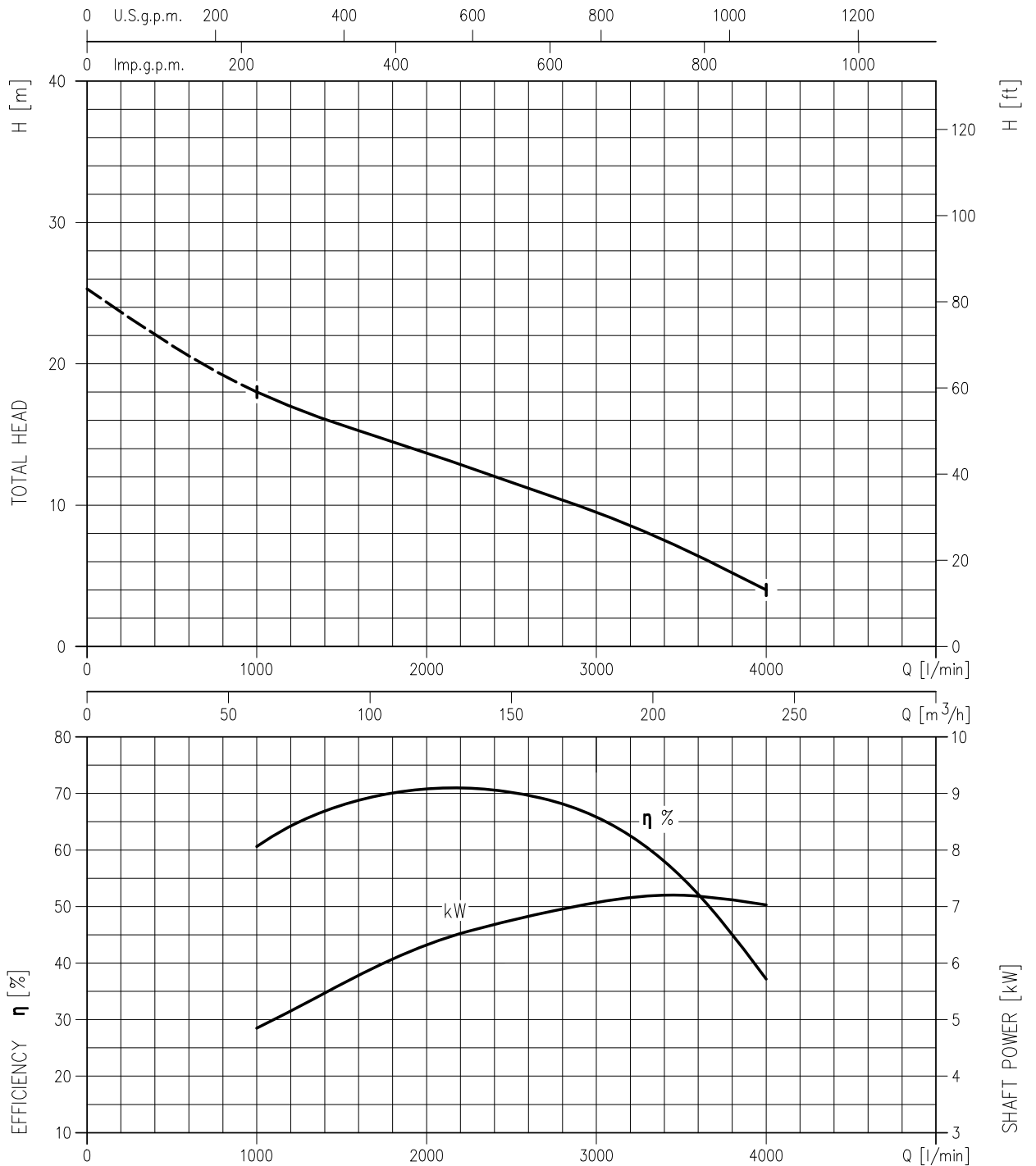
Rotation speed  $\approx 1450 \text{ min}^{-1}$   
 Test standard: ISO 9906 – Annex A

150DML55.5 (5.5 kW)



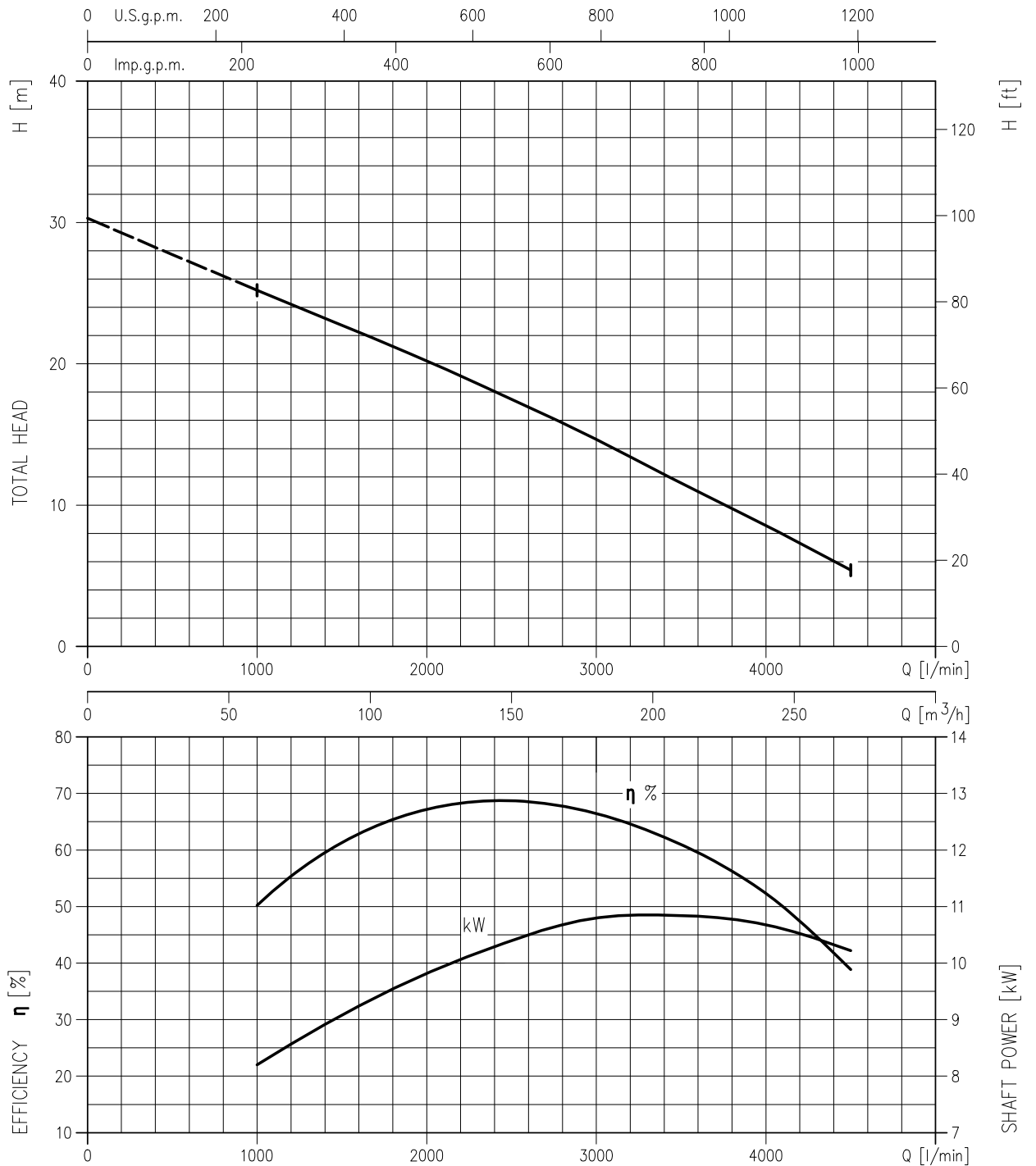
Rotation speed  $\approx 1450 \text{ min}^{-1}$   
 Test standard: ISO 9906 – Annex A

**150DML57.5 (7.5 kW)**



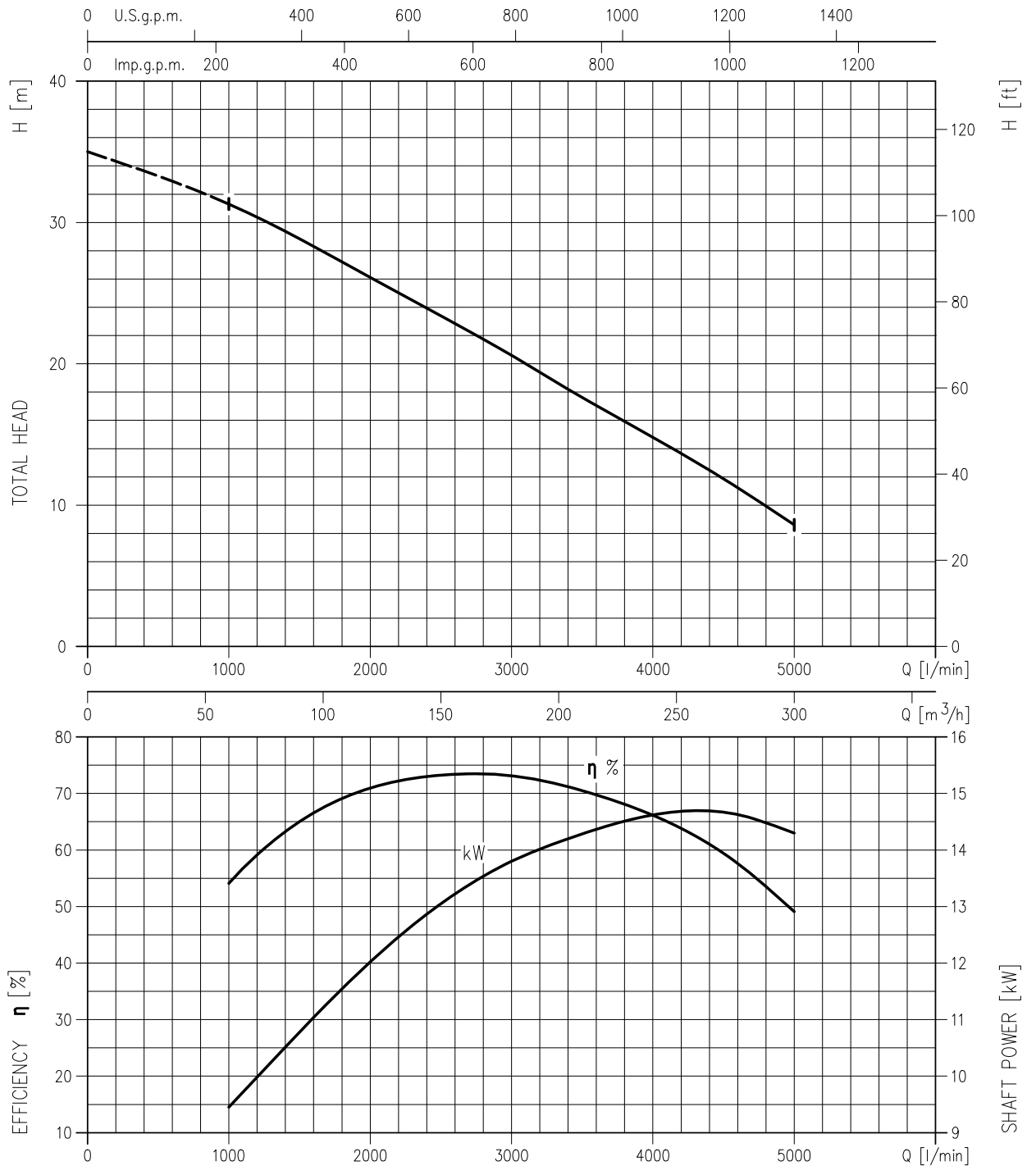
Rotation speed  $\approx 1450 \text{ min}^{-1}$   
 Test standard: ISO 9906 – Annex A

**150DML511 (11 kW)**



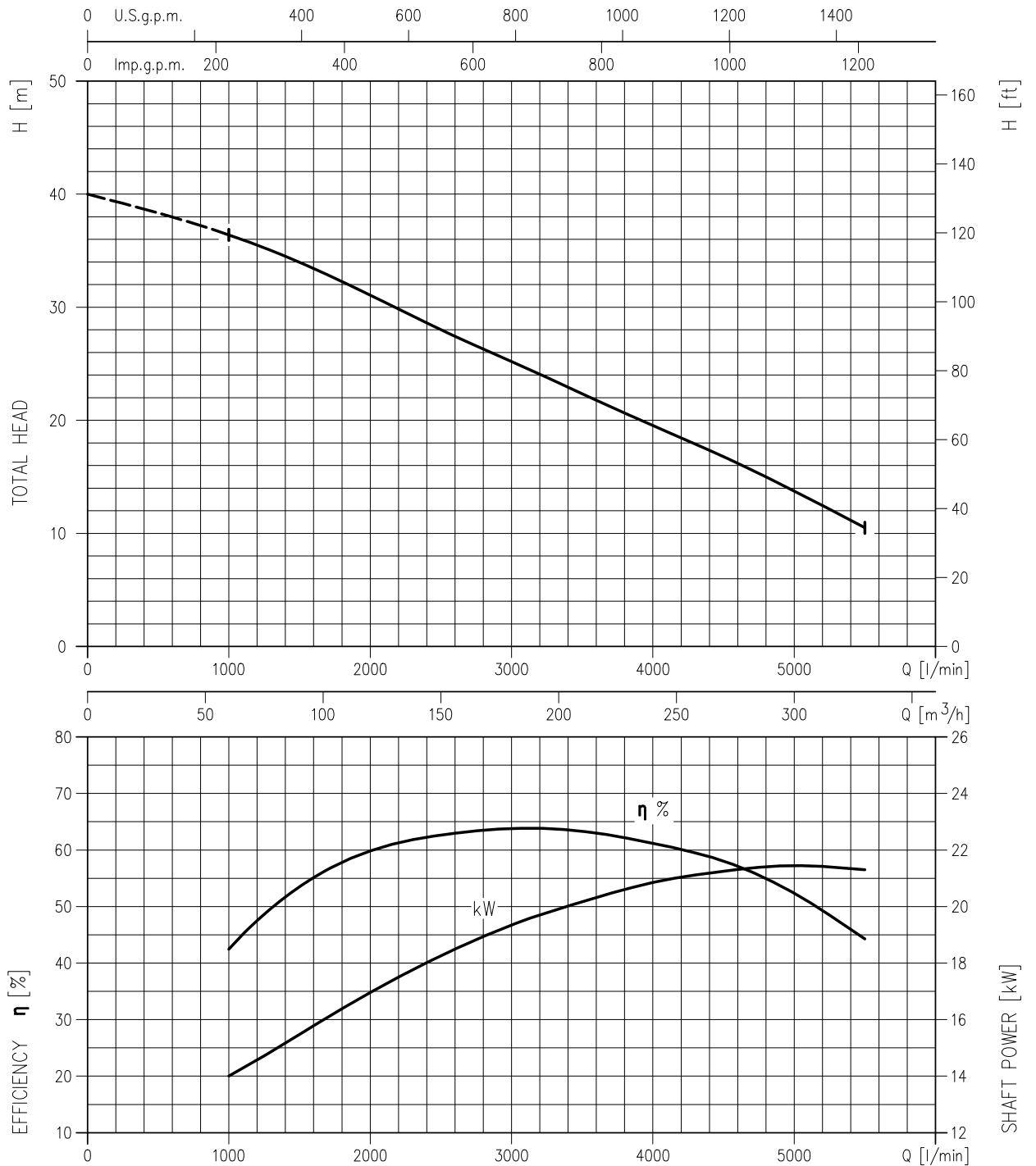
Rotation speed  $\approx 1450 \text{ min}^{-1}$   
 Test standard: ISO 9906 – Annex A

**150DML515 (15 kW)**



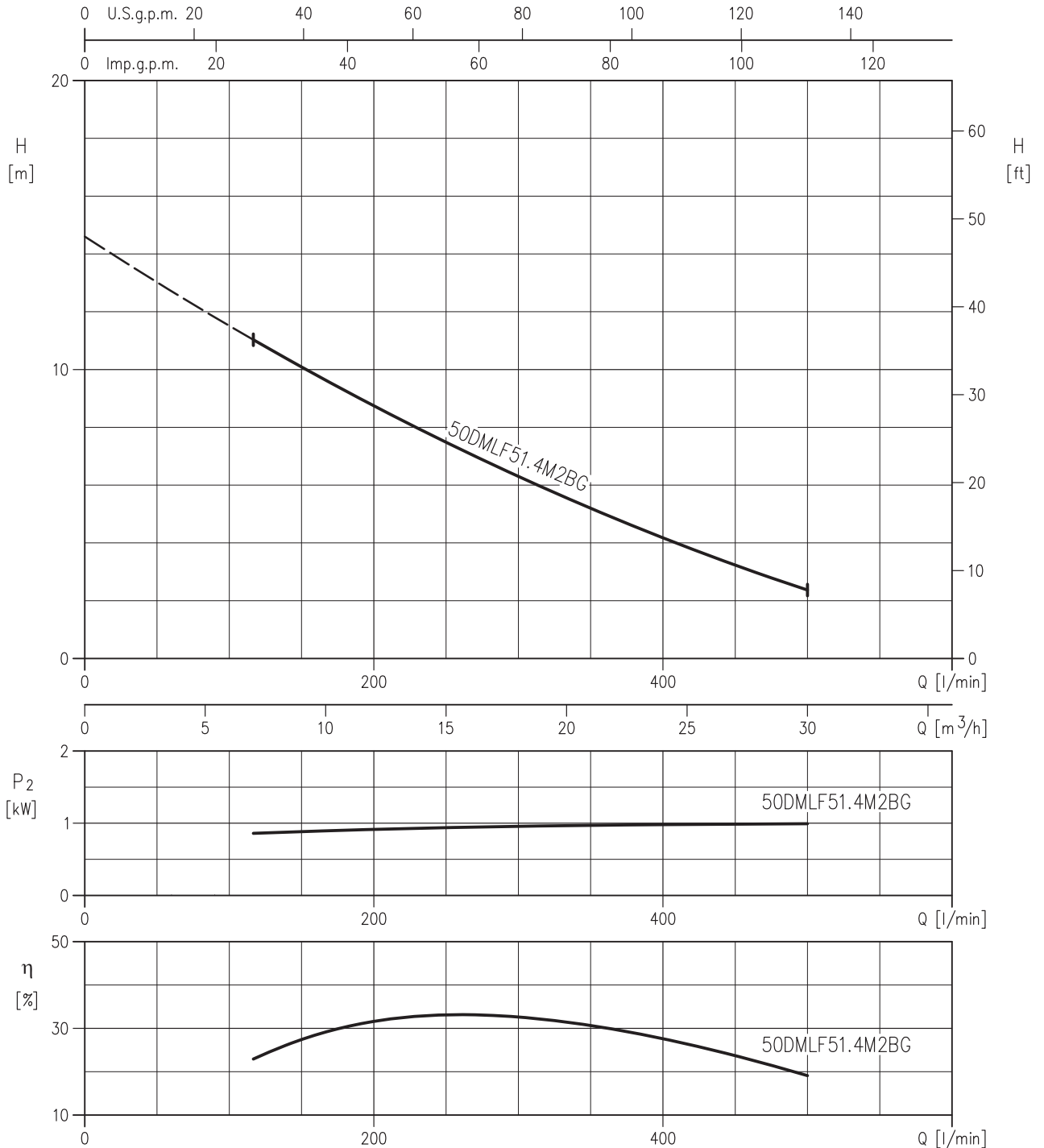
Rotation speed  $\approx 1450 \text{ min}^{-1}$   
 Test standard: ISO 9906 – Annex A

**150DML522 (22 kW)**



Rotation speed  $\approx 1450 \text{ min}^{-1}$   
 Test standard: ISO 9906 – Annex A

**50DMLF51.4M2BG (1.4 kW)**



Rotation speed  $\approx 2850 \text{ min}^{-1}$   
 Test standard: ISO 9906 – Annex A

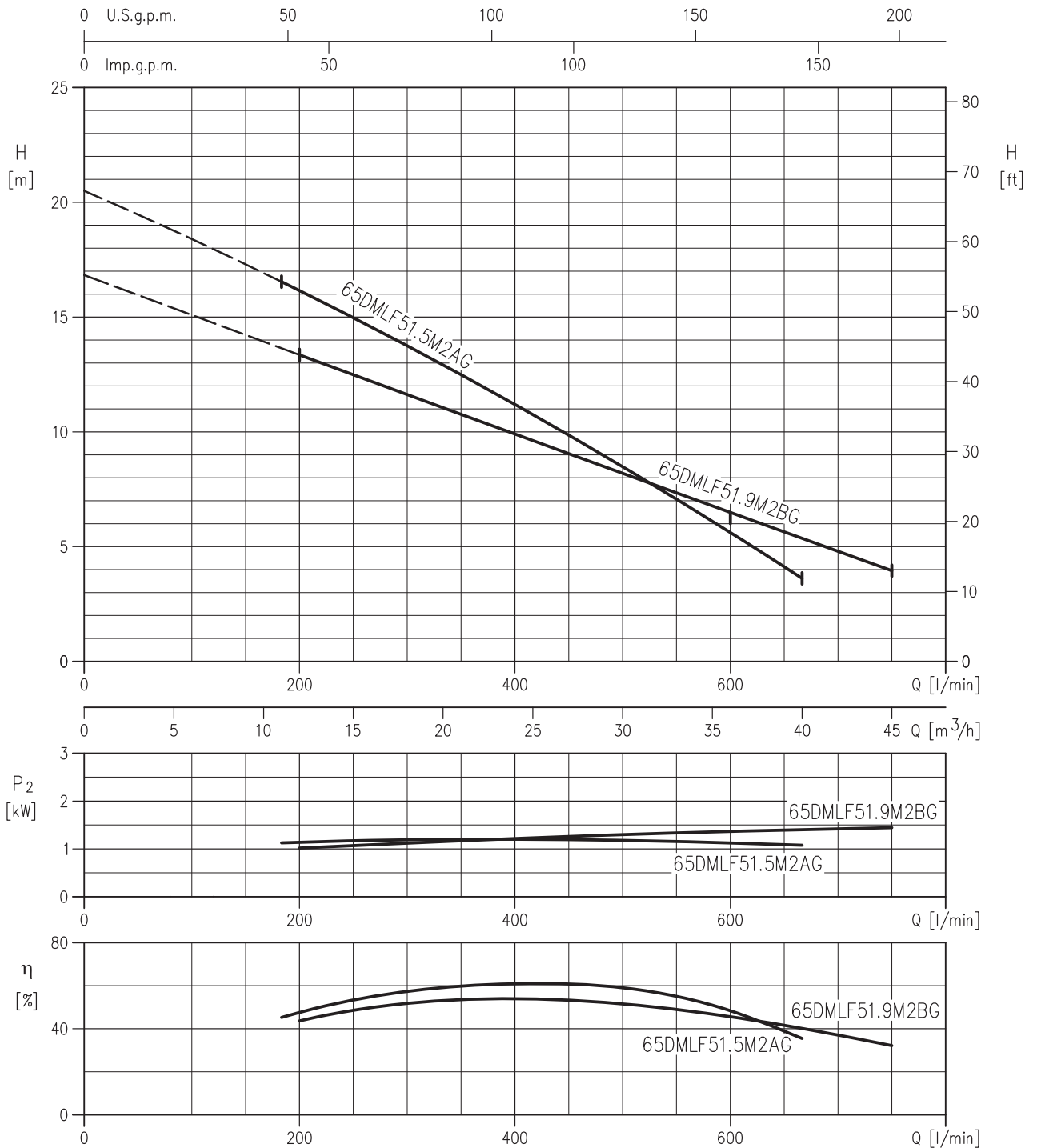


PERFORMANCE CURVE

50 Hz

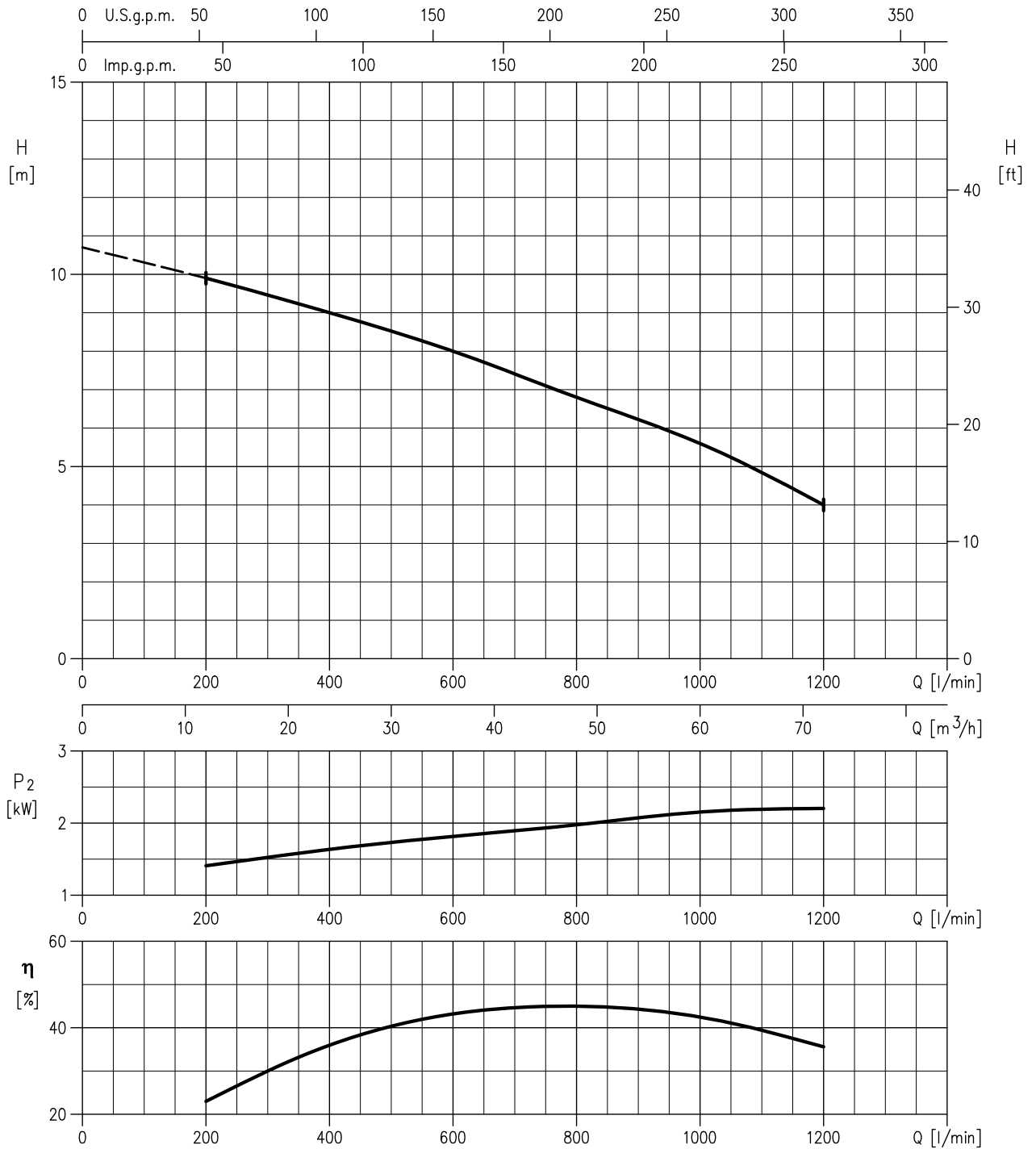
Rev. E

**65DMLF51.5M2AG (1.5 kW)**  
**65DMLF51.9M2BG (1.9 kW)**

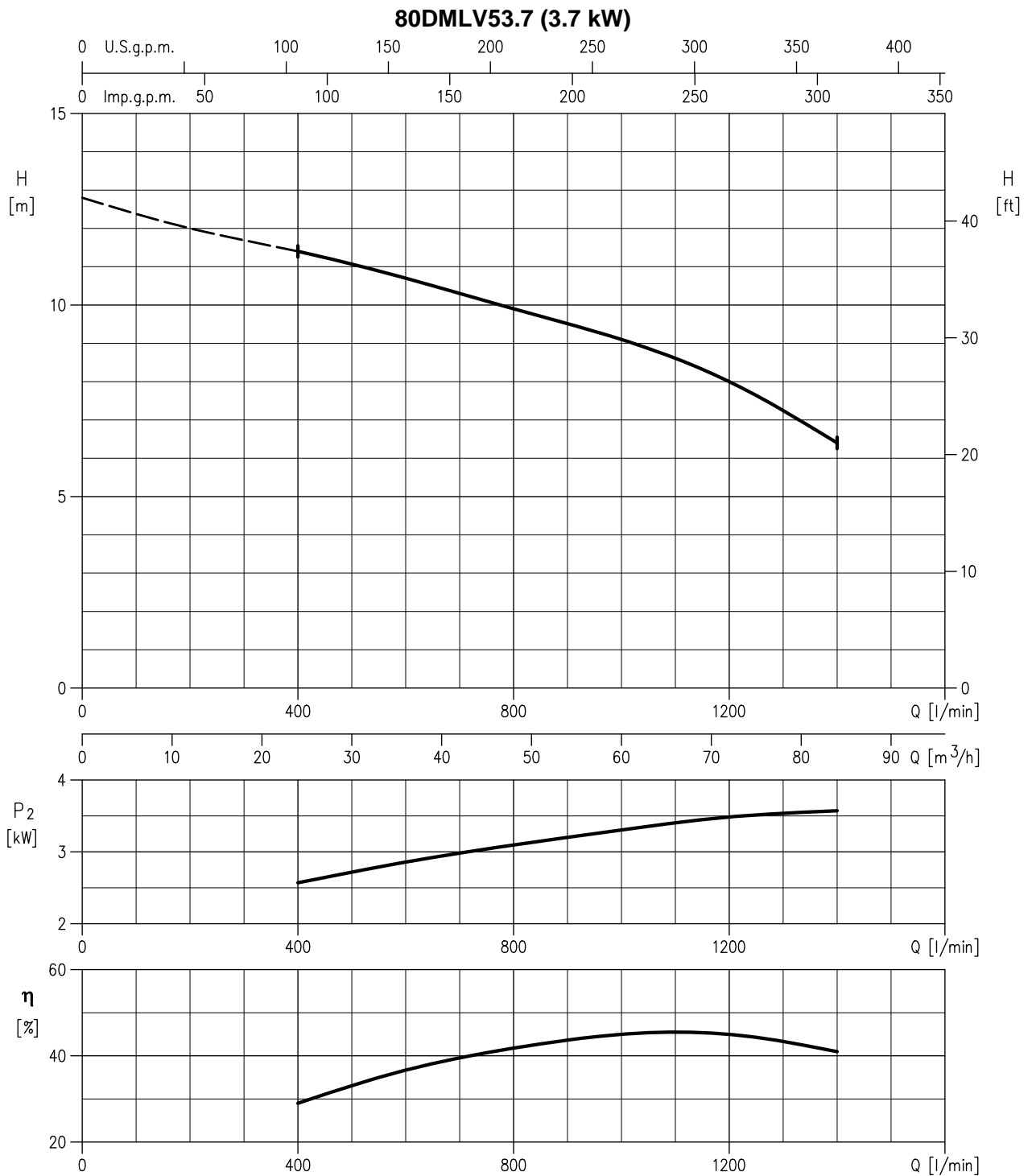


Rotation speed  $\approx 2850 \text{ min}^{-1}$   
 Test standard: ISO 9906 – Annex A

**80DMLV52.2 (2.2 kW)**

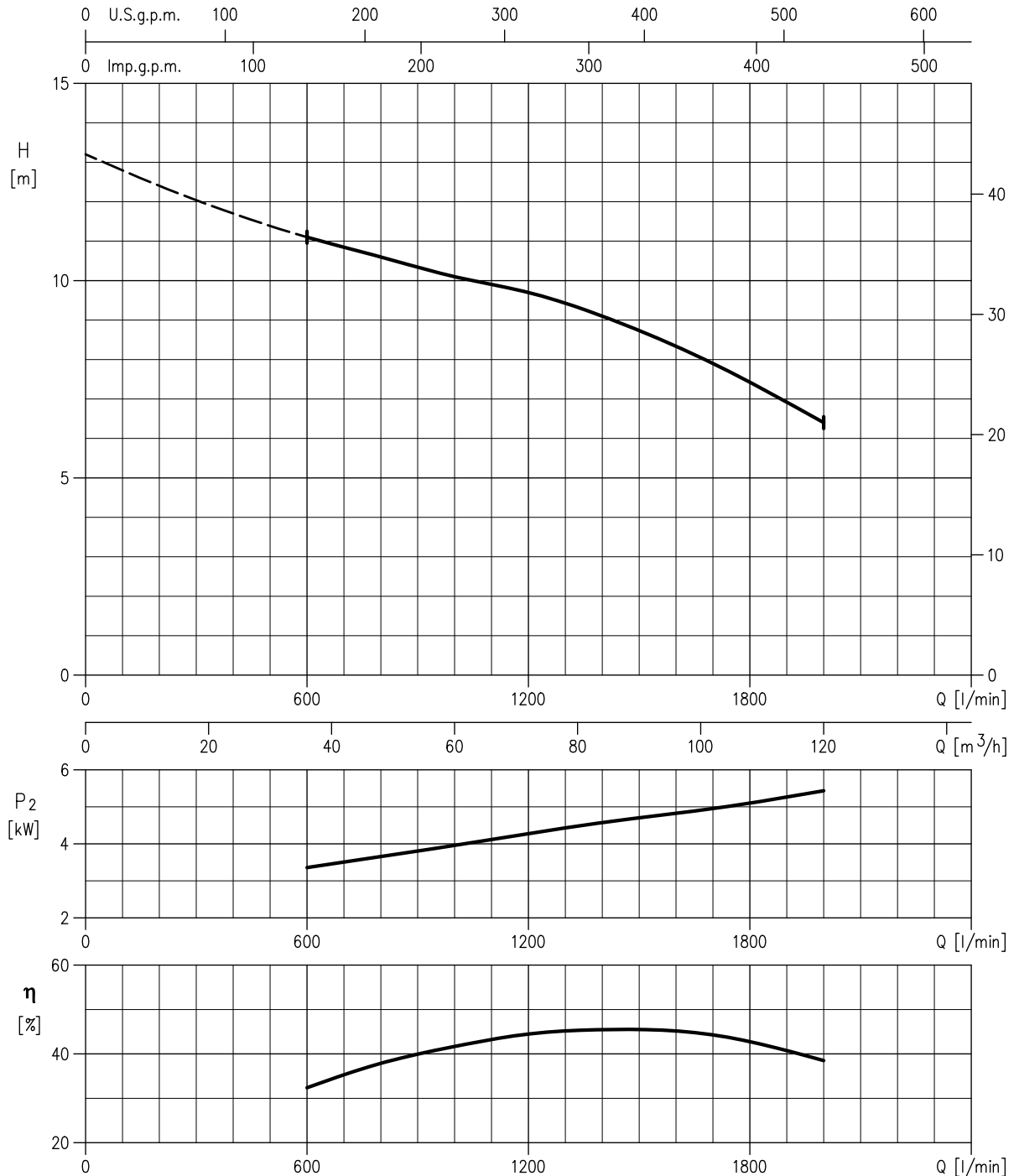


Rotation speed  $\approx 1450 \text{ min}^{-1}$   
 Test standard: ISO 9906 – Annex A

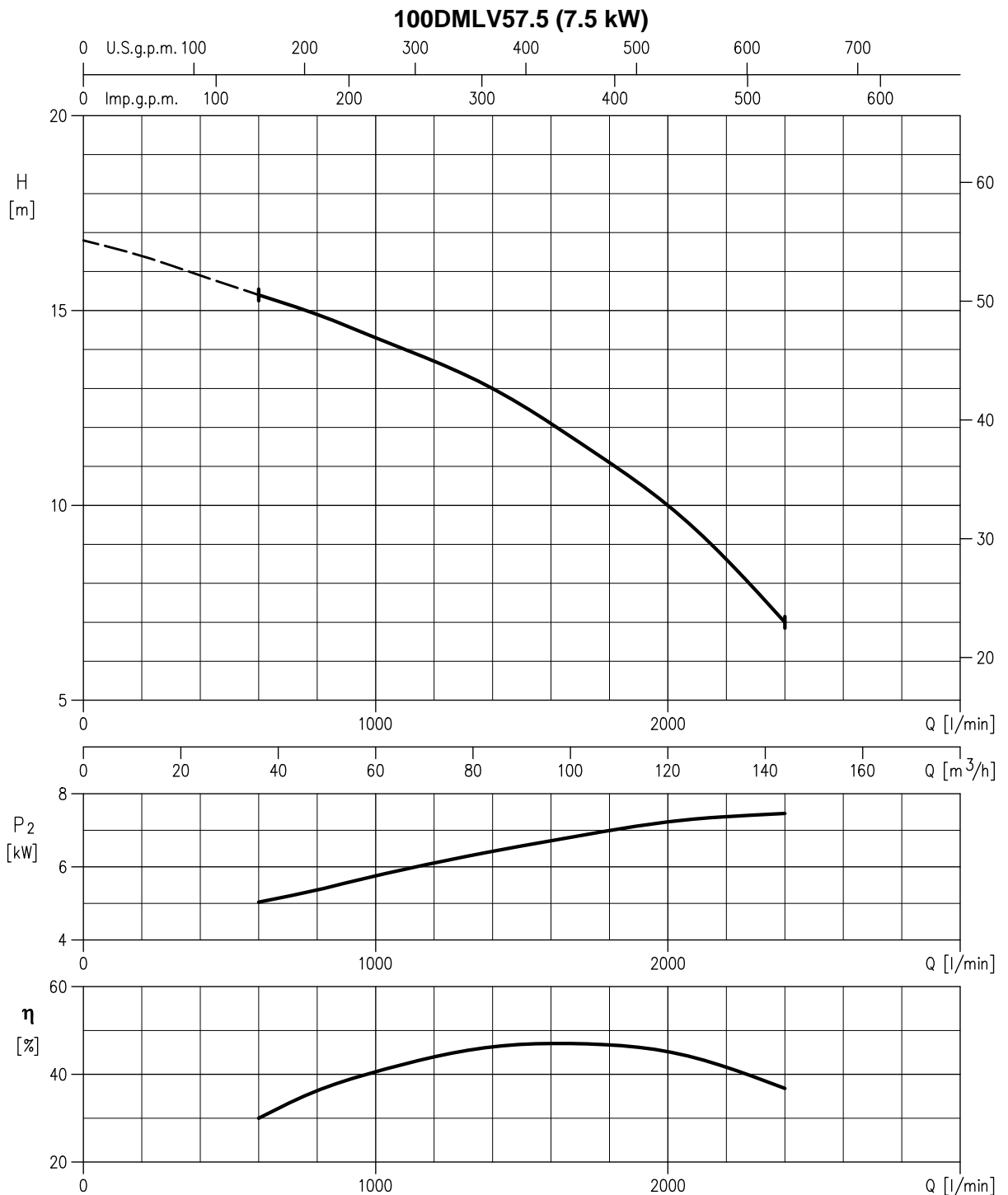


Rotation speed  $\approx 1450 \text{ min}^{-1}$   
 Test standard: ISO 9906 – Annex A

**100DMLV55.5 (5.5 kW)**

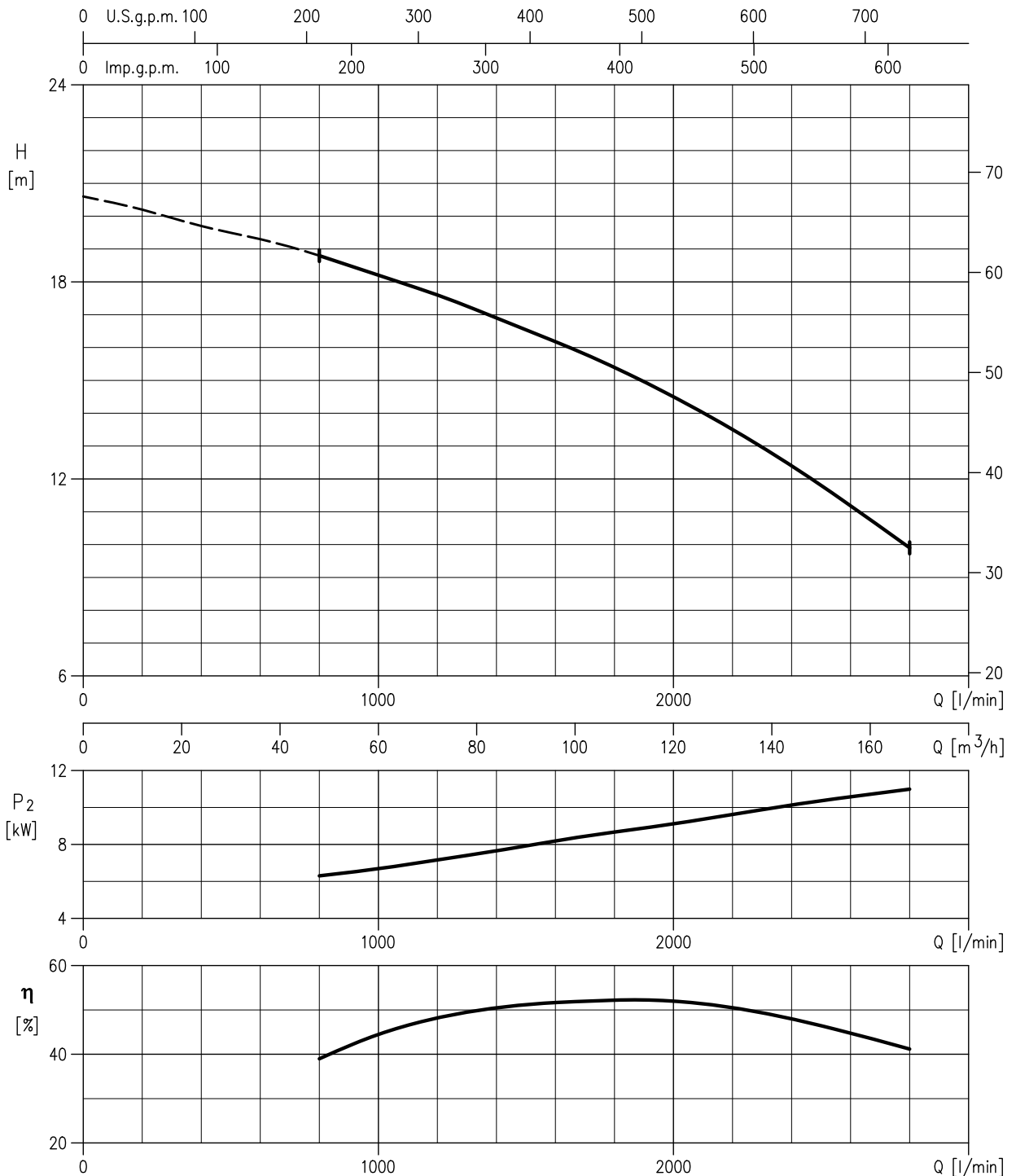


Rotation speed  $\approx 1450 \text{ min}^{-1}$   
 Test standard: ISO 9906 – Annex A



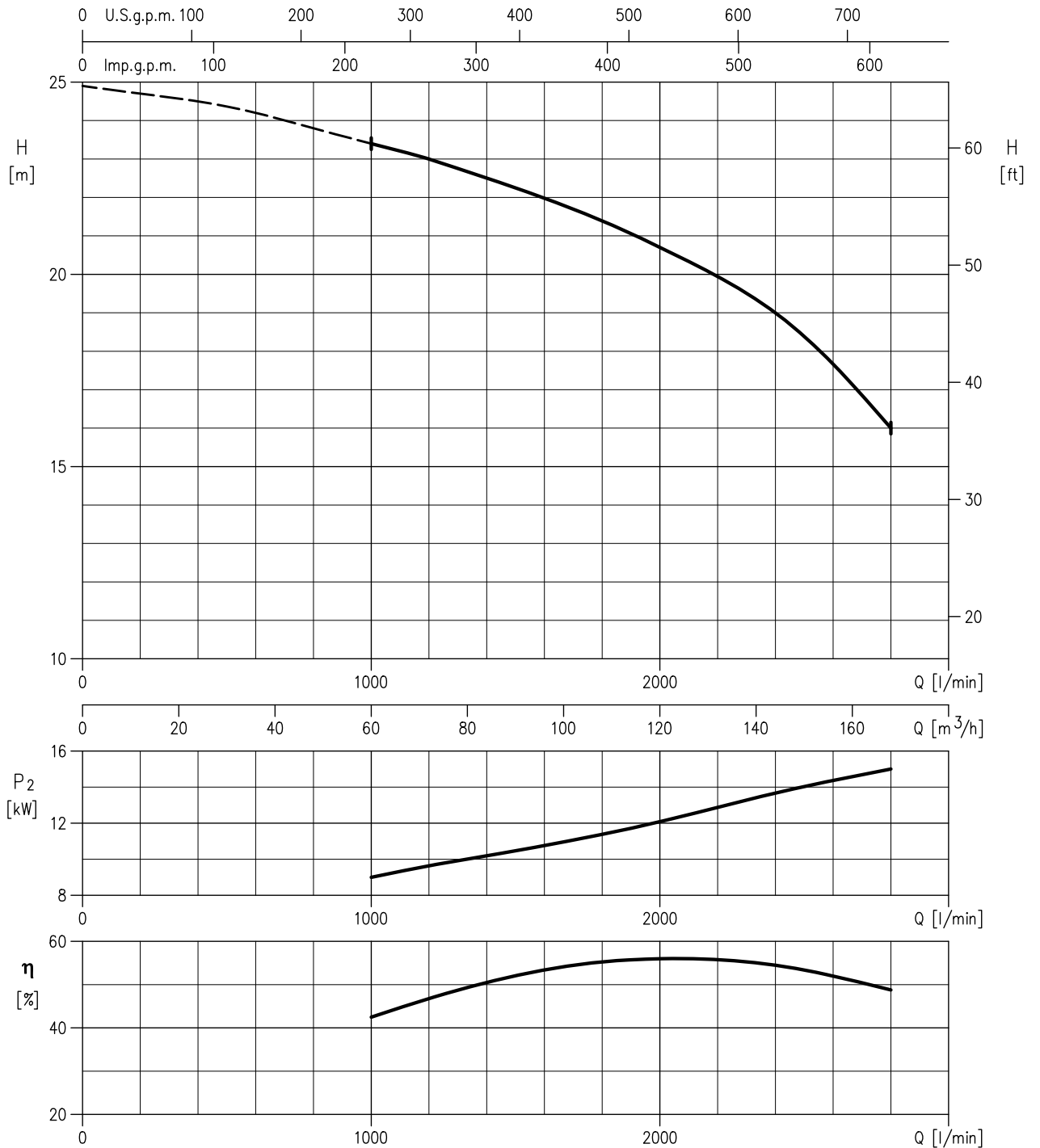
Rotation speed  $\approx 1450 \text{ min}^{-1}$   
 Test standard: ISO 9906 – Annex A

**100DMLV511 (11 kW)**



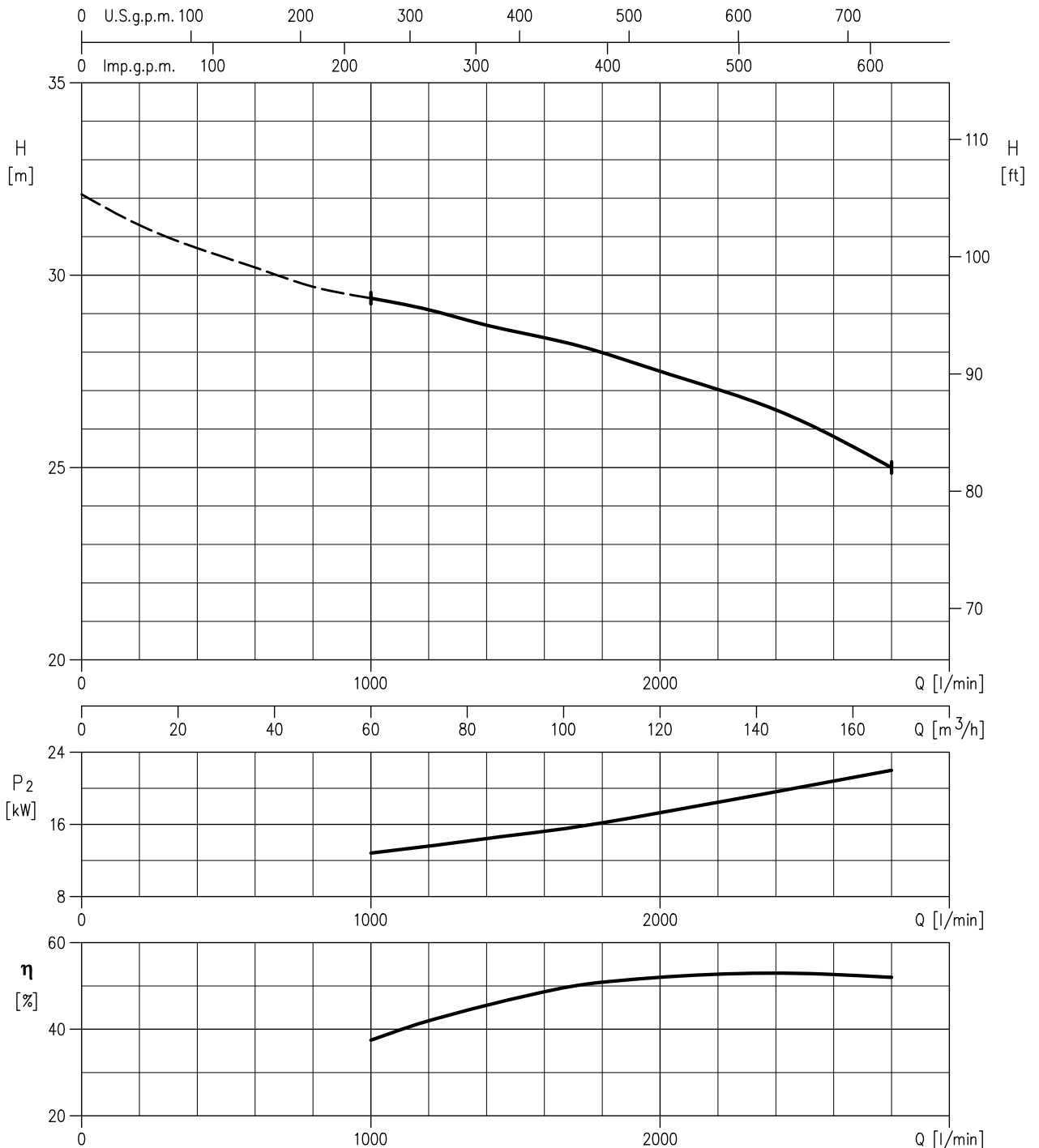
Rotation speed  $\approx 1450 \text{ min}^{-1}$   
 Test standard: ISO 9906 – Annex A

**100DMLV515 (15 kW)**



Rotation speed  $\approx 1450 \text{ min}^{-1}$   
 Test standard: ISO 9906 – Annex A

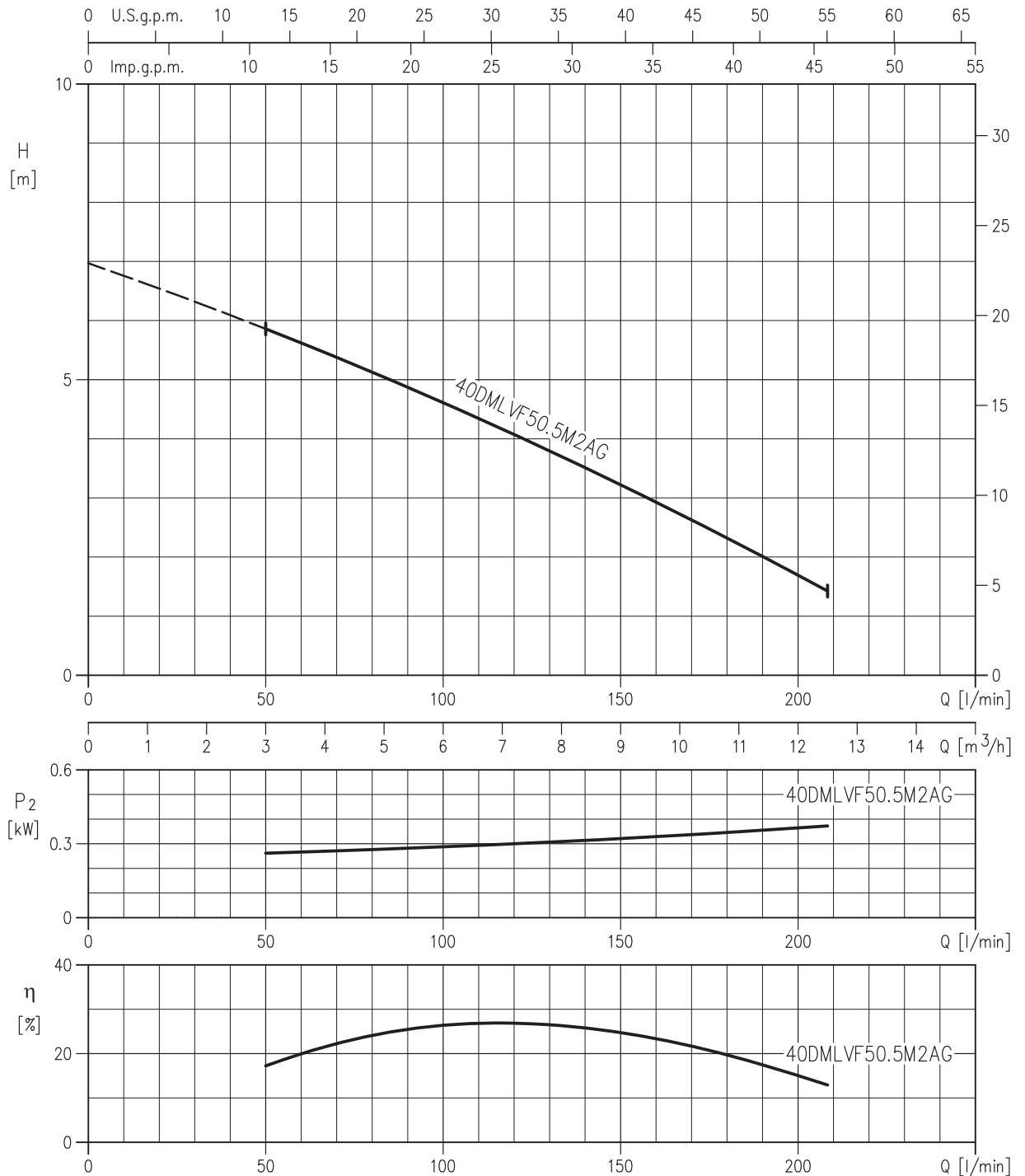
**100DMLV522 (22 kW)**



Rotation speed  $\approx 1450 \text{ min}^{-1}$   
 Test standard: ISO 9906 – Annex A

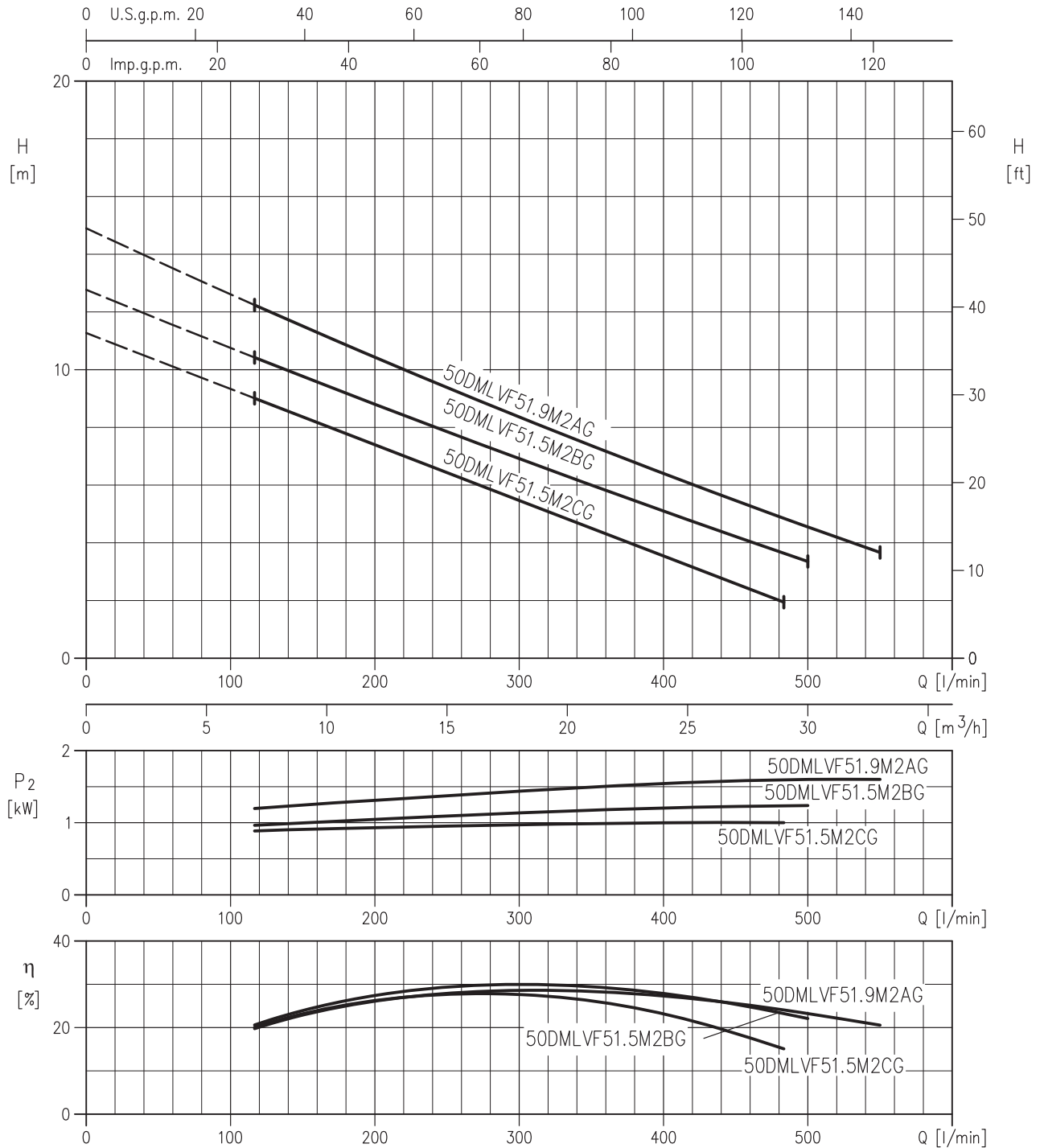


**40DMLVF50.5M2AG (0.5 kW)**



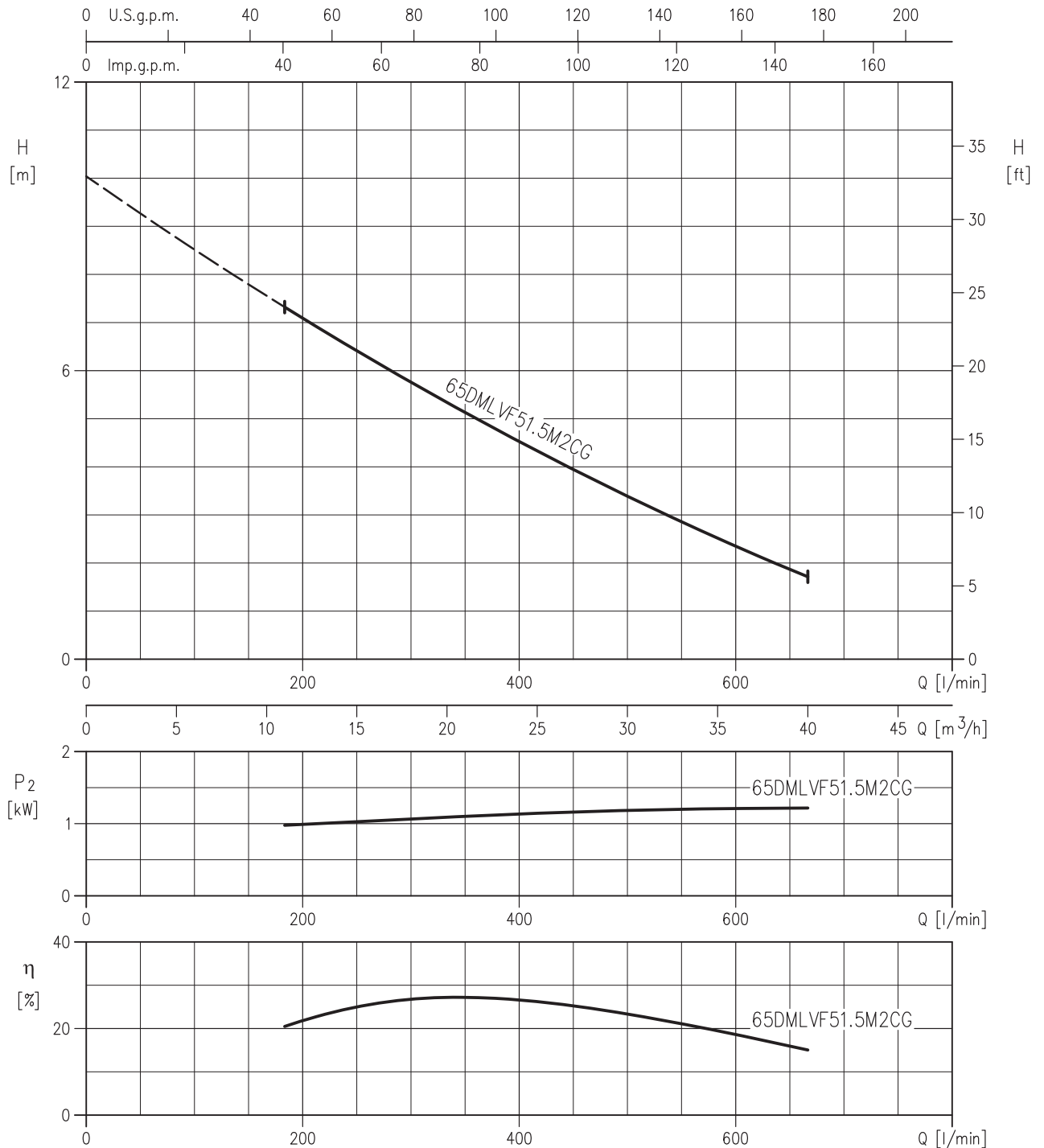
Rotation speed  $\approx 2850 \text{ min}^{-1}$   
 Test standard: ISO 9906 – Annex A

50DMLVF51.5M2CG (1.5 kW)  
 50DMLVF51.5M2BG (1.5 kW)  
 50DMLVF51.9M2AG (1.9 kW)



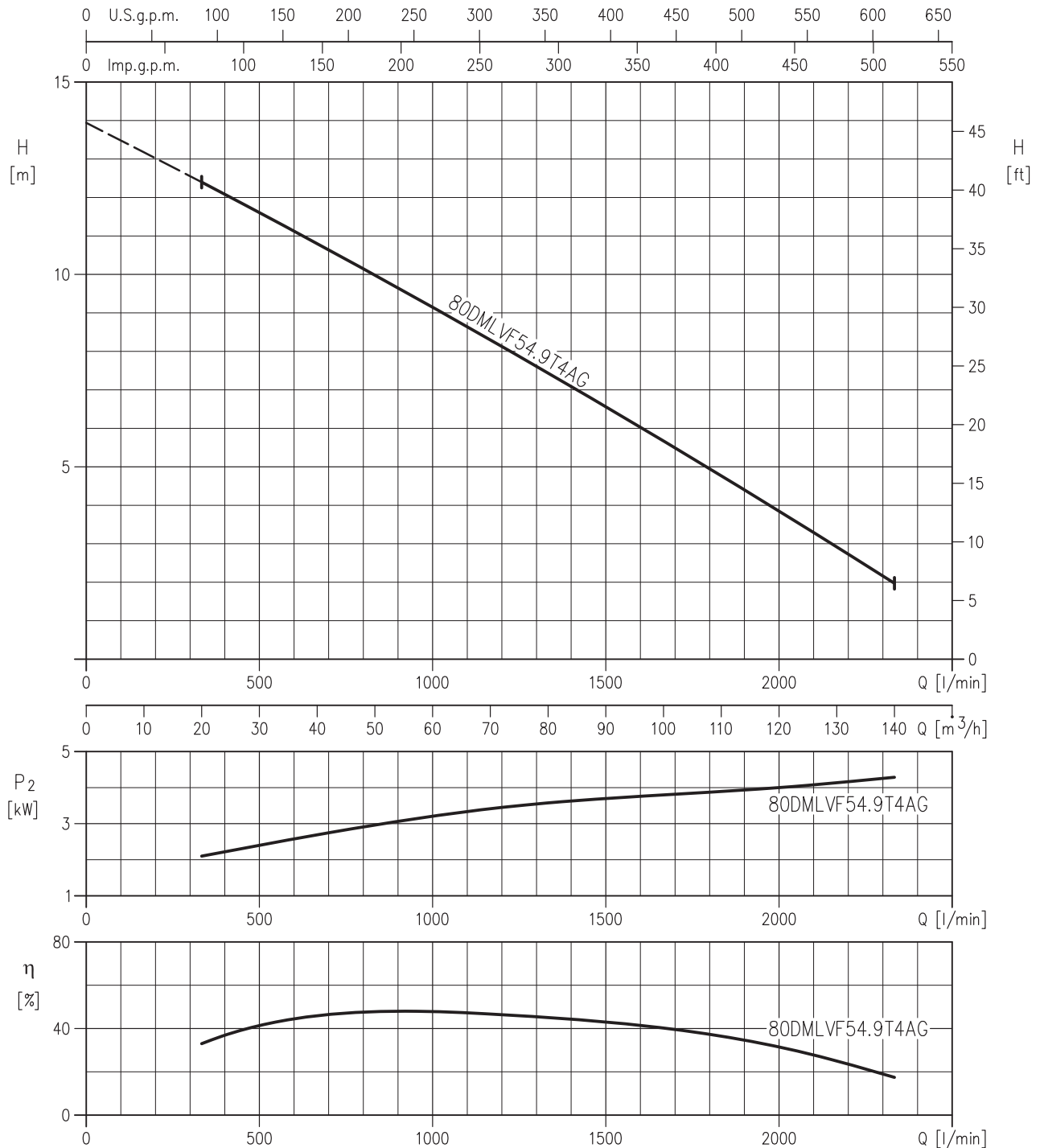
Rotation speed ≈ 2850 min<sup>-1</sup>  
 Test standard: ISO 9906 – Annex A

**65DMLVF51.5M2CG (1.5 kW)**



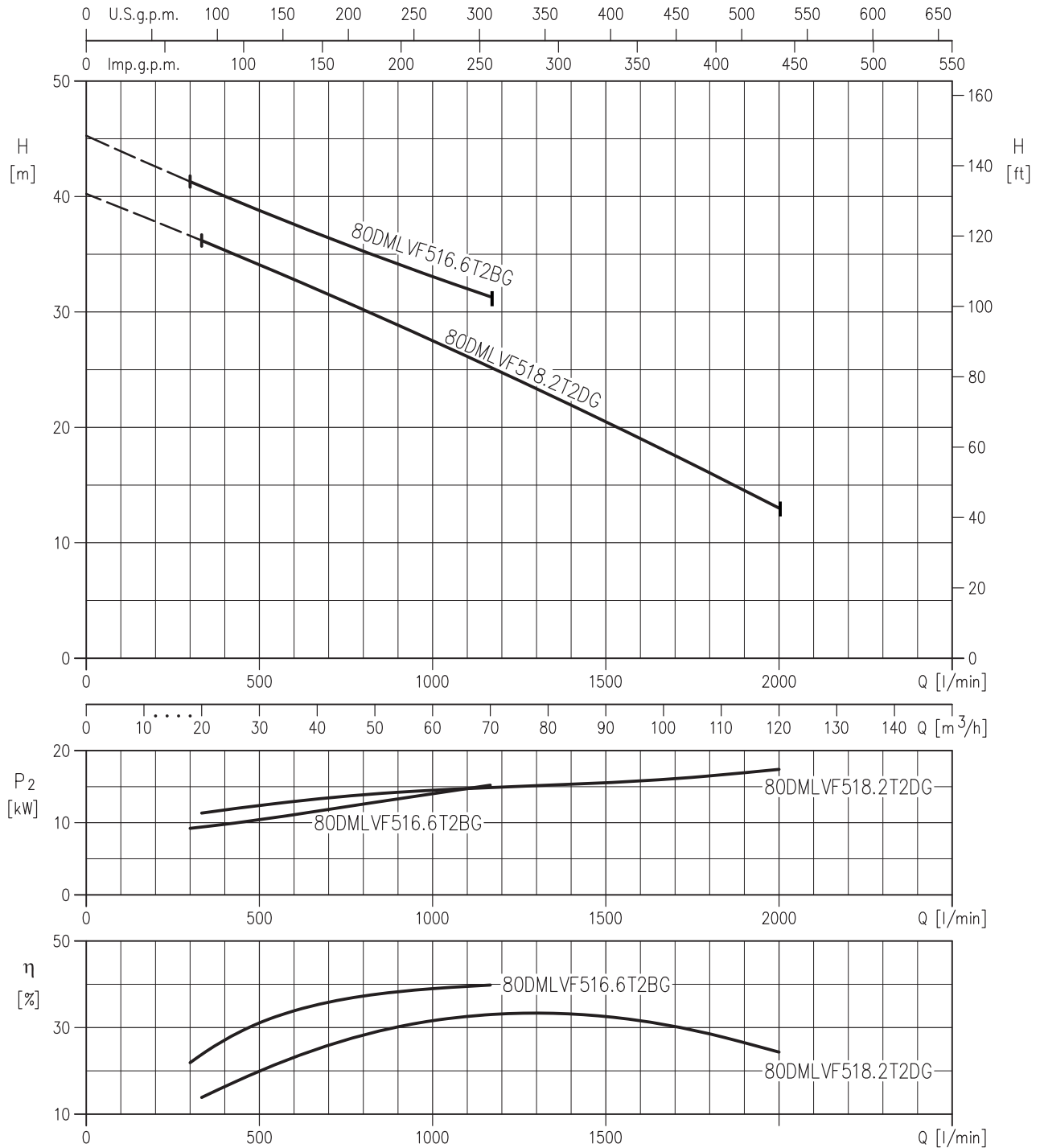
Rotation speed  $\approx 2800 \text{ min}^{-1}$   
 Test standard: ISO 9906 – Annex A

**80DMLVF54.9T4AG (4.9 kW)**



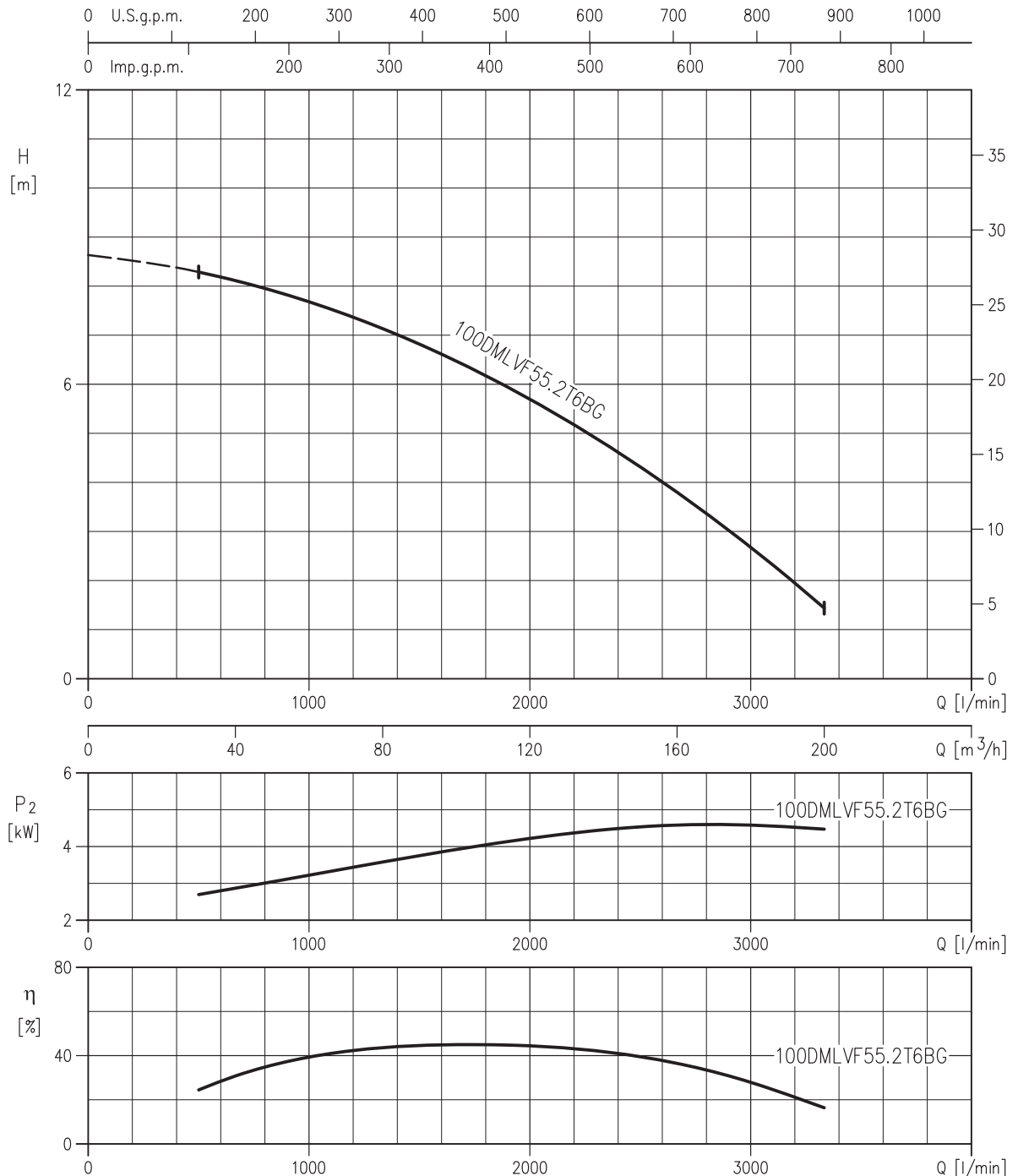
Rotation speed  $\approx 1450 \text{ min}^{-1}$   
 Test standard: ISO 9906 – Annex A

**80DMLVF516.6T2BG (16.6kW)**  
**80DMLVF518.2T2DG (18.2kW)**



Rotation speed  $\approx 2850 \text{ min}^{-1}$   
 Test standard: ISO 9906 – Annex A

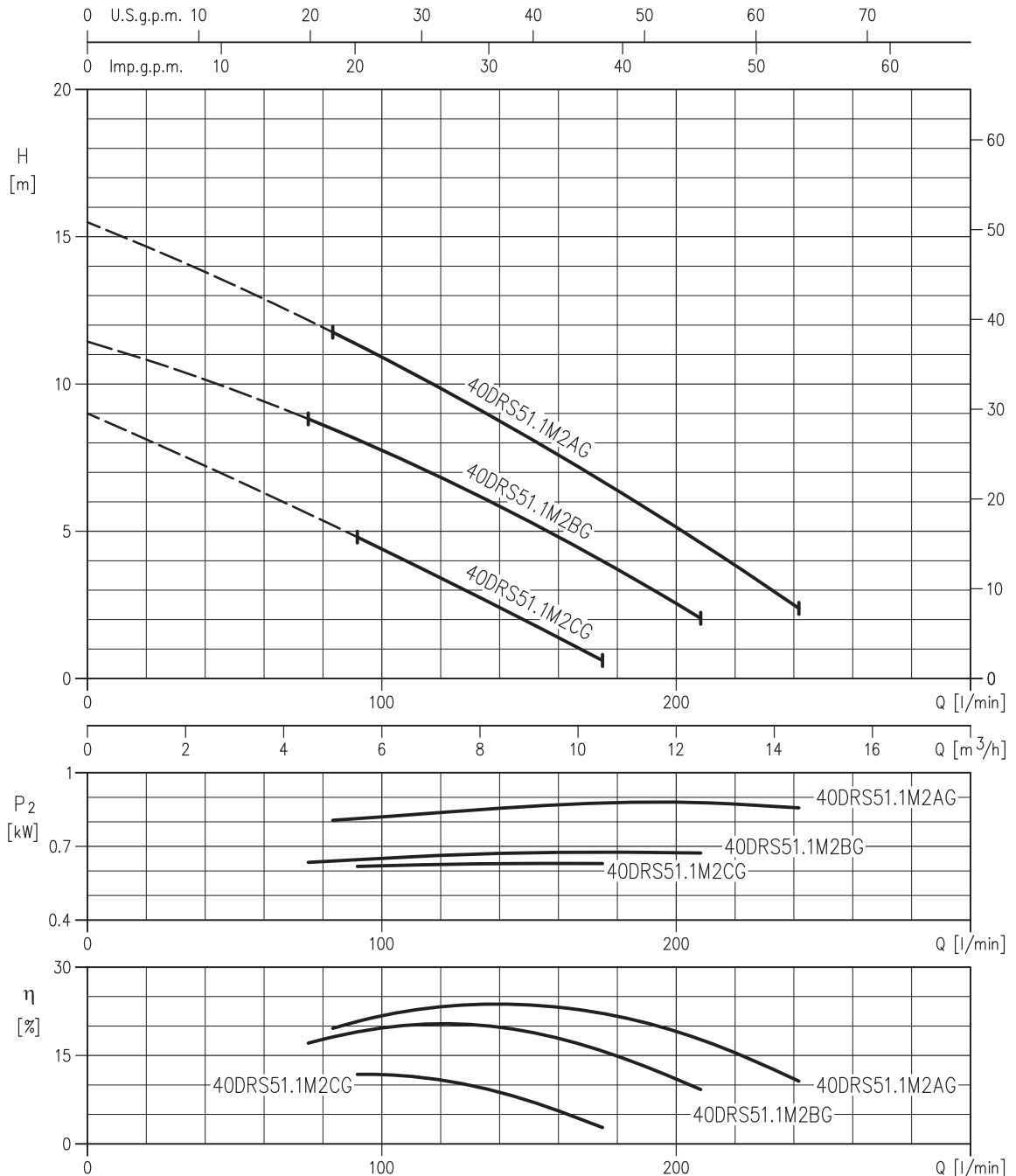
**100DMLVF55.2T6BG (5.2 kW)**



Rotation speed  $\approx 950 \text{ min}^{-1}$

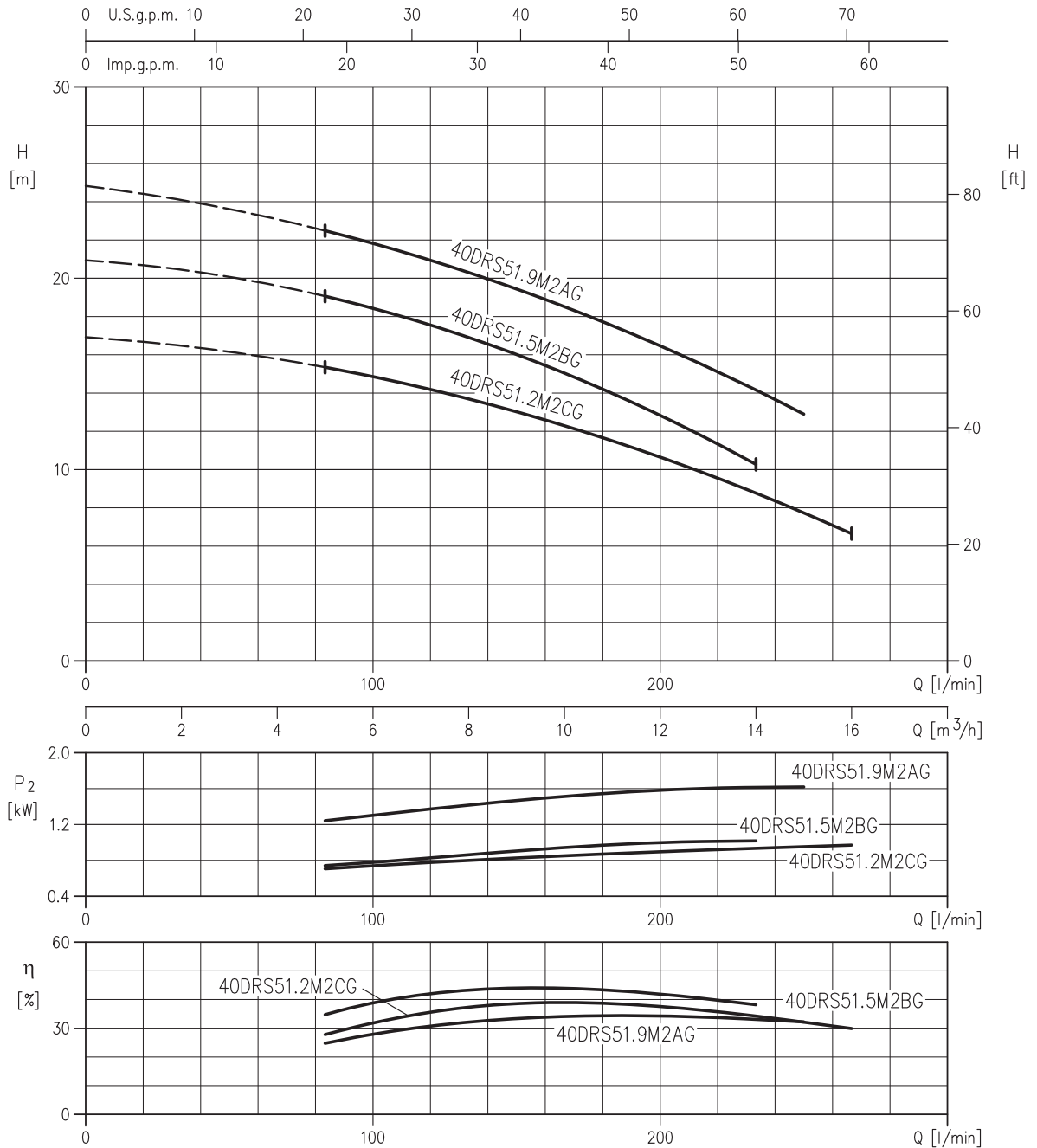
Test standard: ISO 9906 – Annex A

**40DRS51.1M2CG (1.1 kW)**  
**40DRS51.1M2BG (1.1 kW)**  
**40DRS51.1M2AG (1.1 kW)**



Rotation speed  $\approx 2850 \text{ min}^{-1}$   
 Test standard: ISO 9906 – Annex A

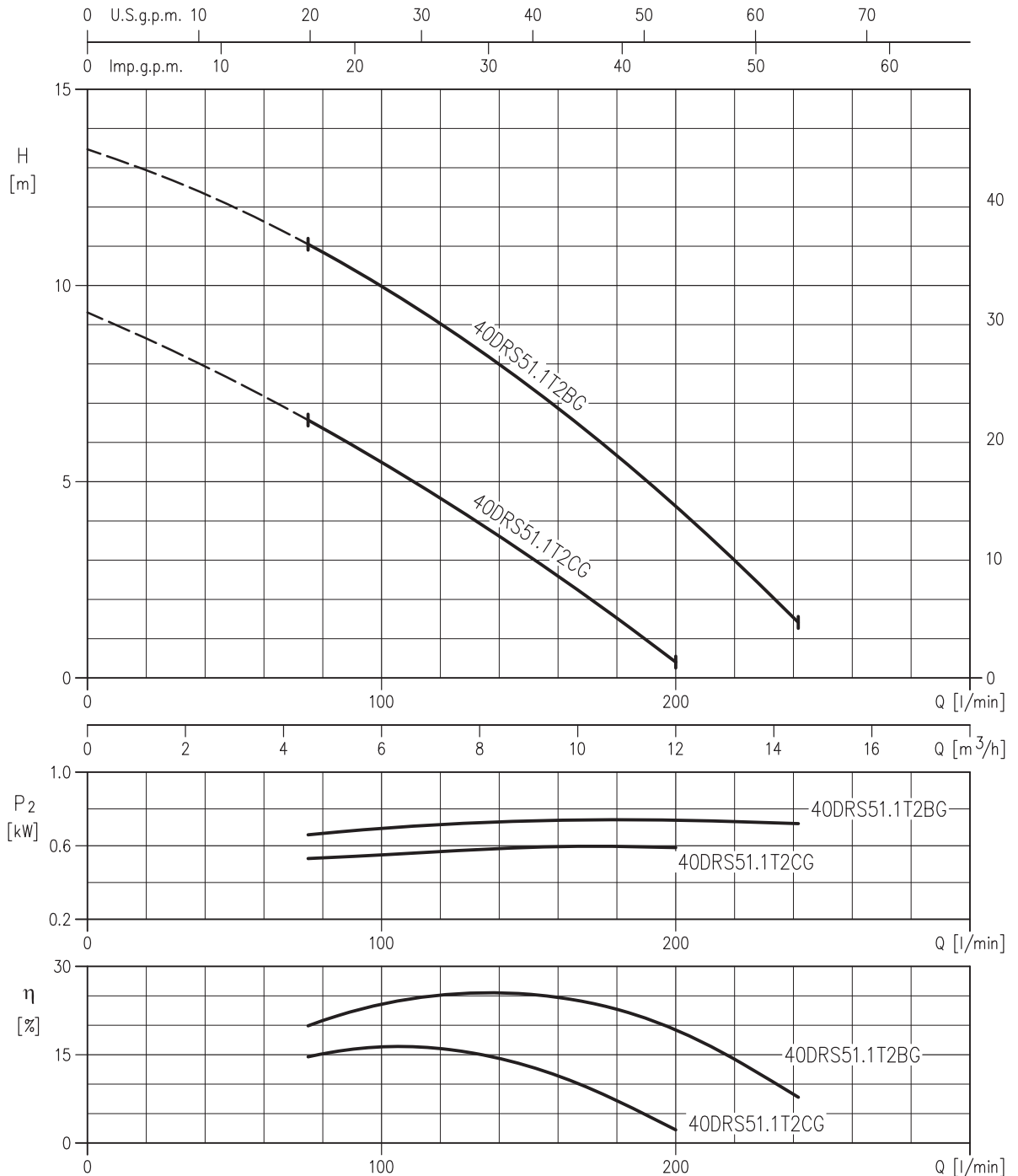
**40DRS51.2M2CG (1.2 kW)**  
**40DRS51.5M2BG (1.5 kW)**  
**40DRS51.9M2AG (1.9 kW)**



Rotation speed  $\approx 2800 \text{ min}^{-1}$   
 Test standard: ISO 9906 – Annex A

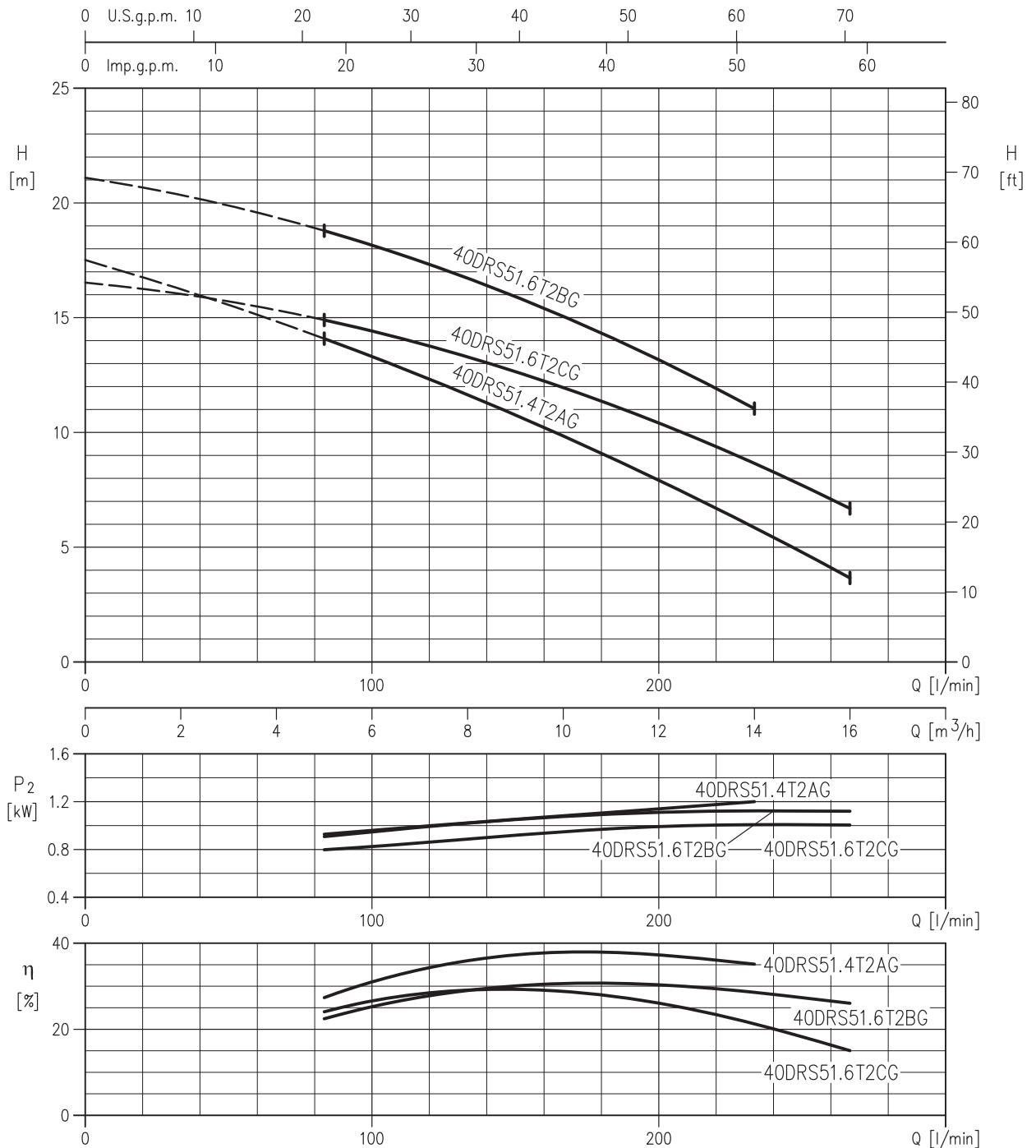


**40DRS51.1T2CG (1.1 kW)**  
**40DRS51.1T2BG (1.1 kW)**



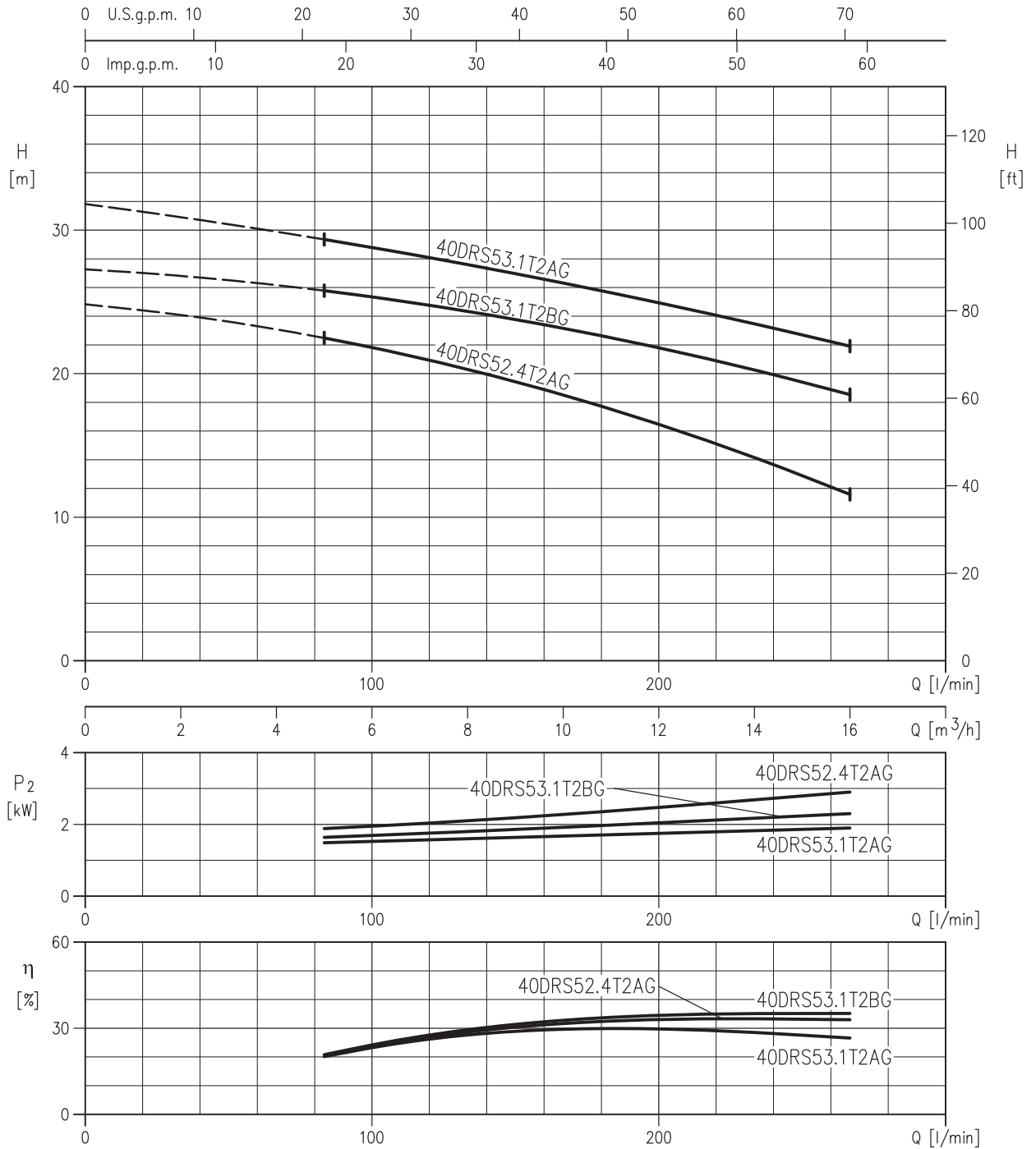
Rotation speed  $\approx 2800 \text{ min}^{-1}$   
 Test standard: ISO 9906 – Annex A

**40DRS51.4T2AG (1.4 kW)**  
**40DRS51.6T2CG (1.6 kW)**  
**40DRS51.6T2BG (1.6 kW)**



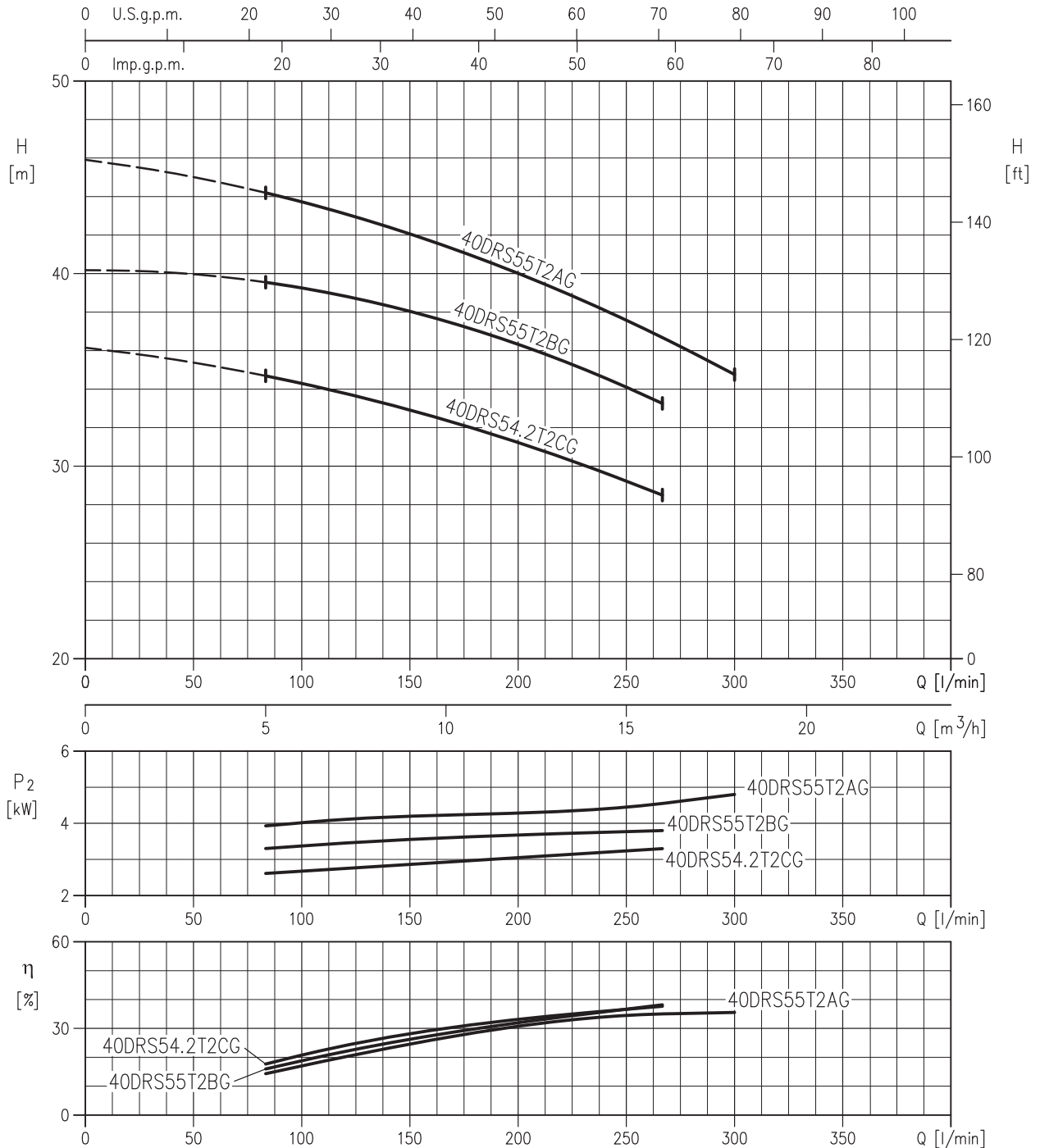
Rotation speed  $\approx 2800 \text{ min}^{-1}$   
 Test standard: ISO 9906 – Annex A

**40DRS52.4T2AG (2.4 kW)**  
**40DRS53.1T2BG (3.1 kW)**  
**40DRS53.1T2AG (3.1 kW)**

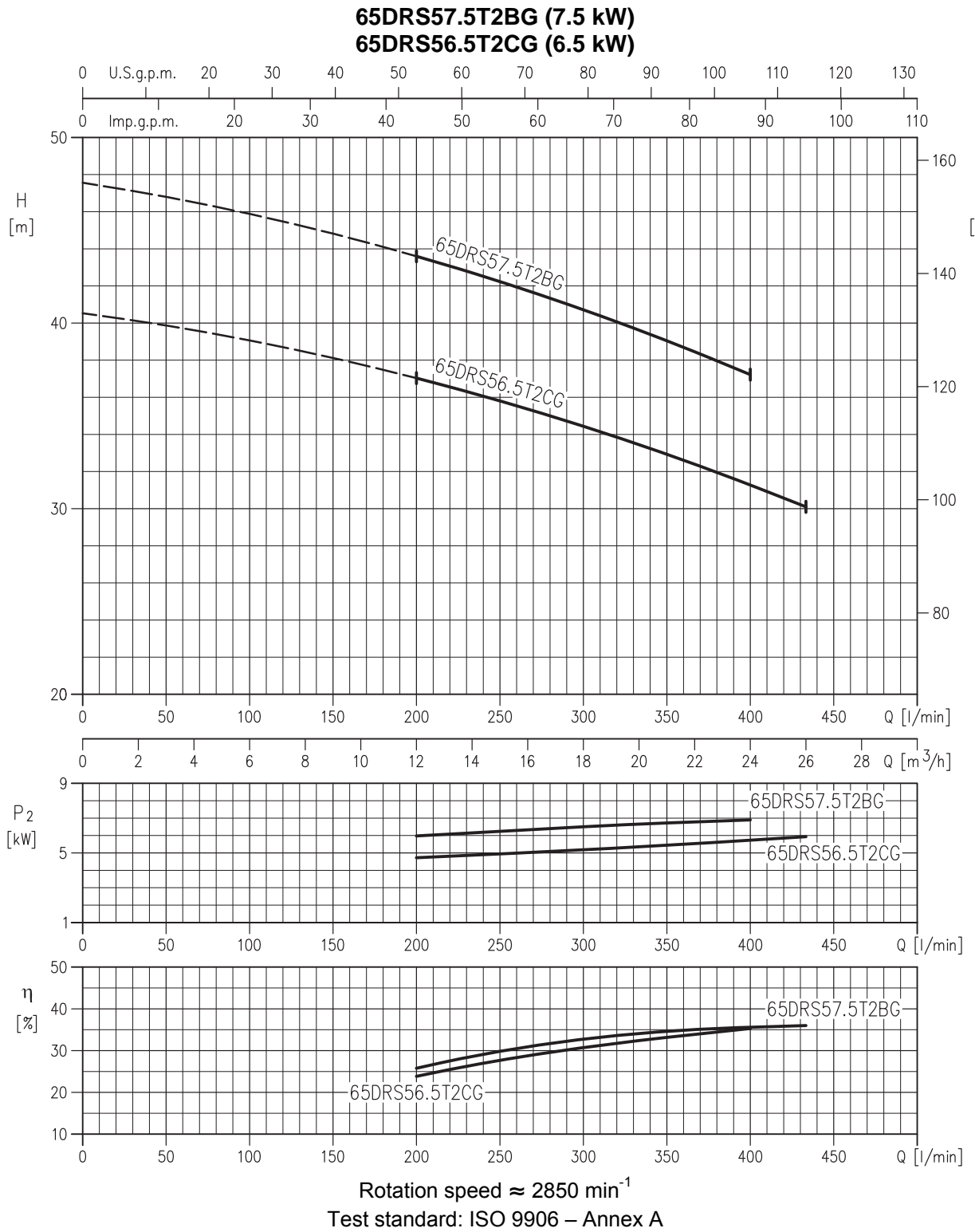


Rotation speed  $\approx 2800 \text{ min}^{-1}$   
 Test standard: ISO 9906 – Annex A

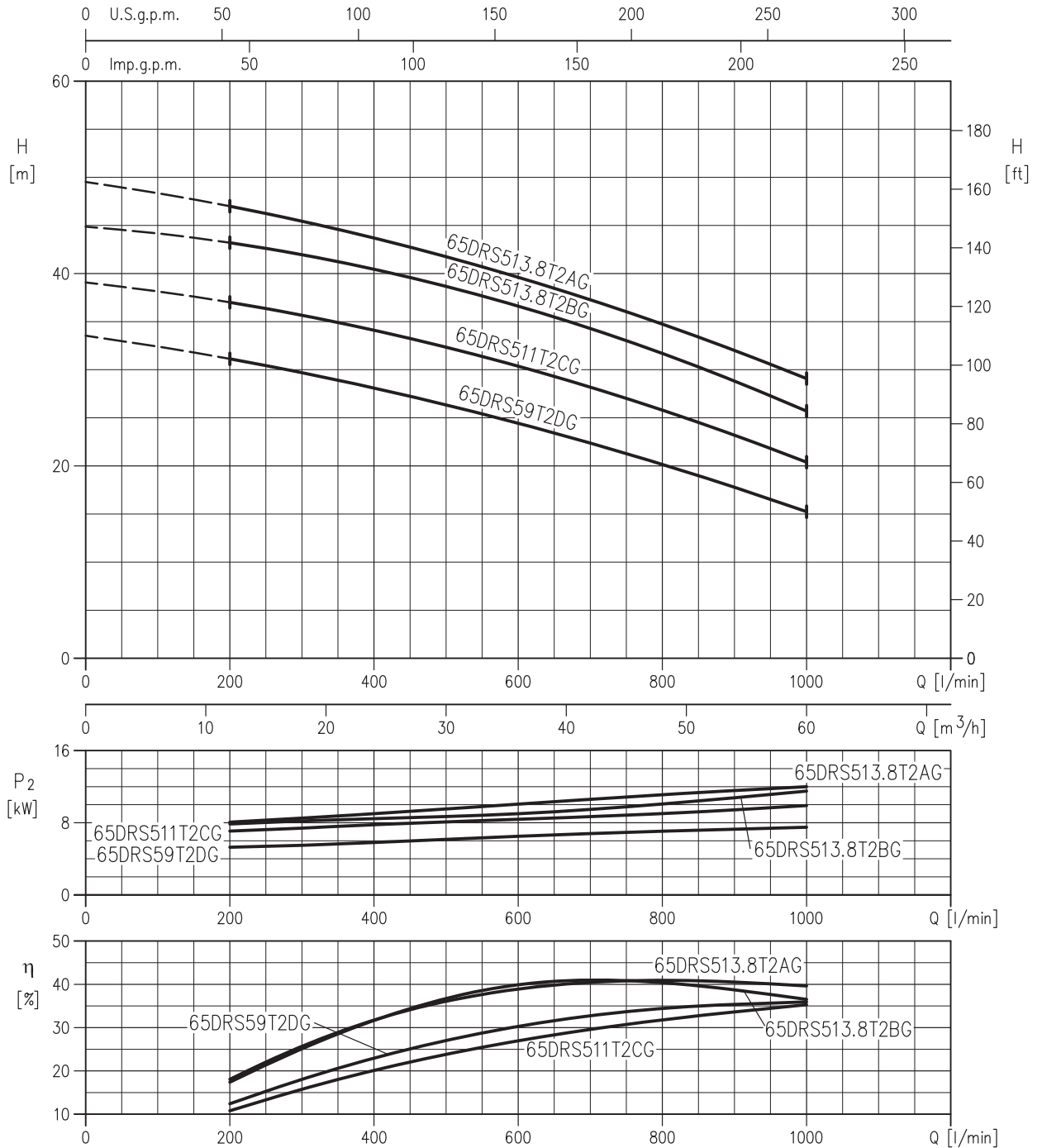
**40DRS54.2T2CG (4.2 kW)**  
**40DRS55T2BG (5.0kW)**  
**40DRS55T2AG (5.0 kW)**



Rotation speed ≈ 2850 min<sup>-1</sup>  
 Test standard: ISO 9906 – Annex A

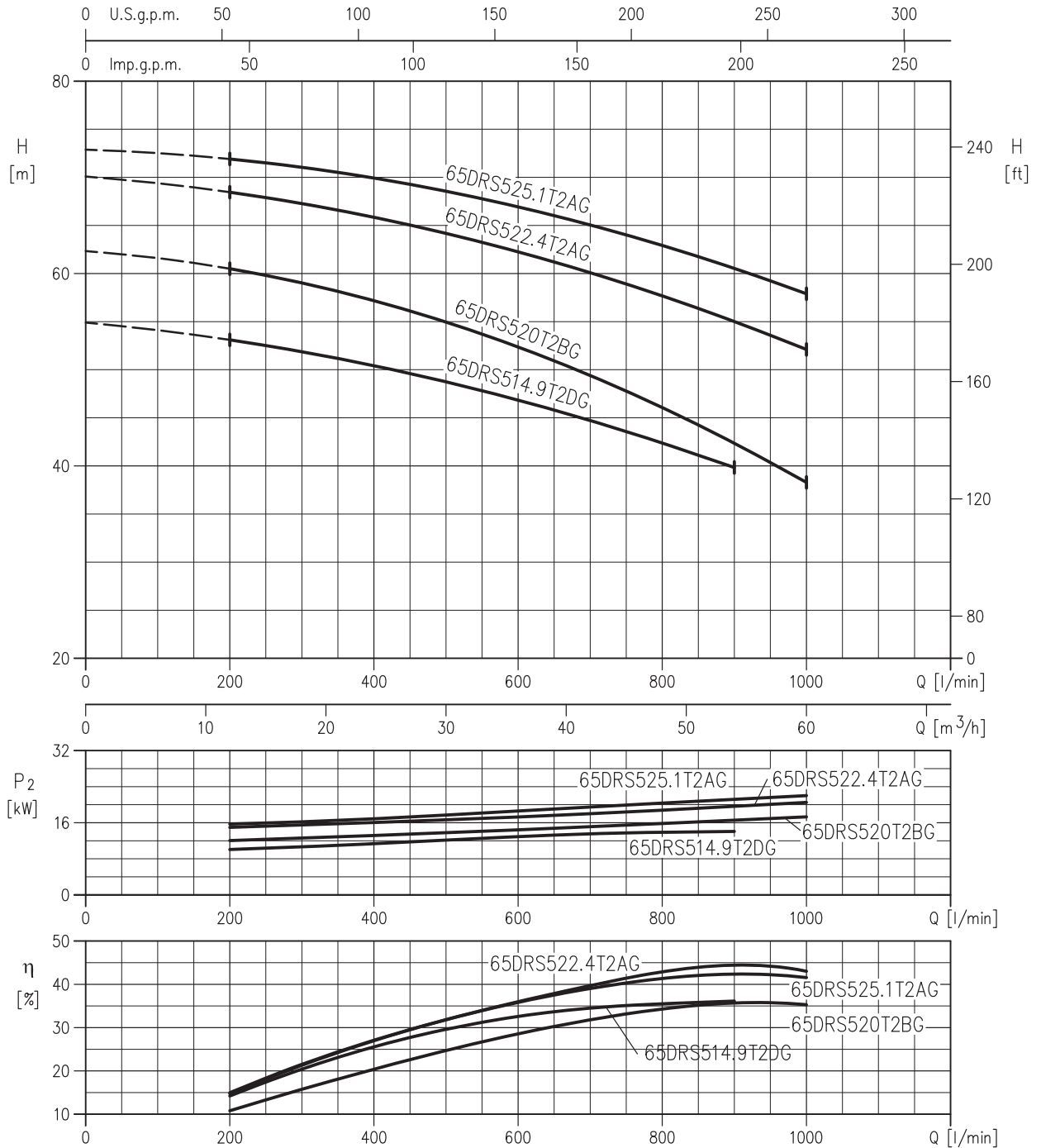


**65DRS59T2DG (9.0 kW)**  
**65DRS511T2CG (11 kW)**  
**65DRS513.8T2BG (13.8 kW)**  
**65DRS513.8T2AG (13.8 kW)**



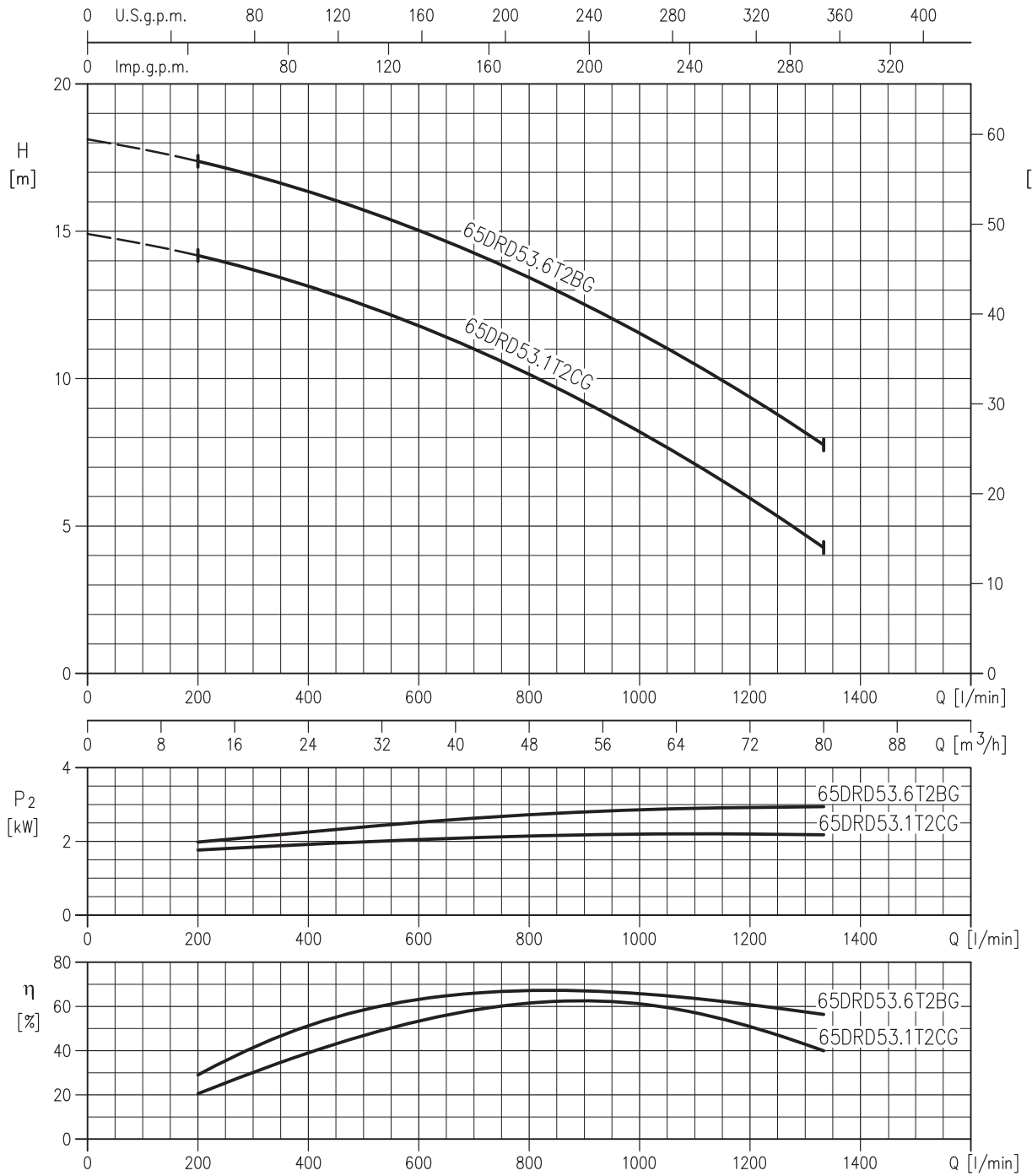
Rotation speed ≈ 2850 min<sup>-1</sup>  
 Test standard: ISO 9906 – Annex A

65DRS514.9T2GG (14.9 kW)  
 65DRS520T2BG (20 kW)  
 65DRS522.4T2AG (22.4 kW)  
 65DRS525.1T2AG (25.1 kW)



Rotation speed ≈ 2850 min<sup>-1</sup>  
 Test standard: ISO 9906 – Annex A

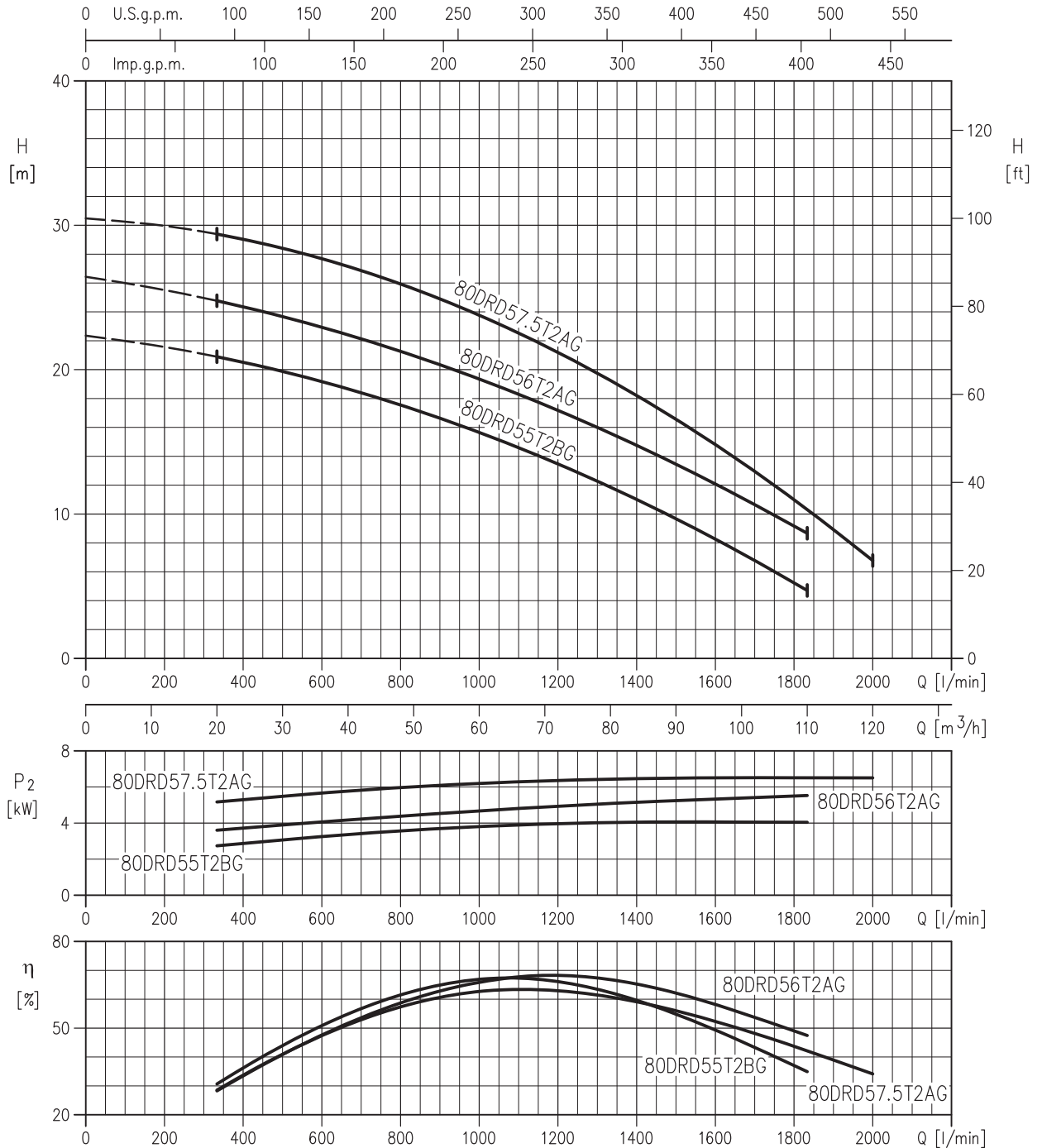
**65DRD53.1T2CG (3.1 kW)**  
**65DRD53.6T2BG (3.6 kW)**



Rotation speed  $\approx 2800 \text{ min}^{-1}$   
 Test standard: ISO 9906 – Annex A

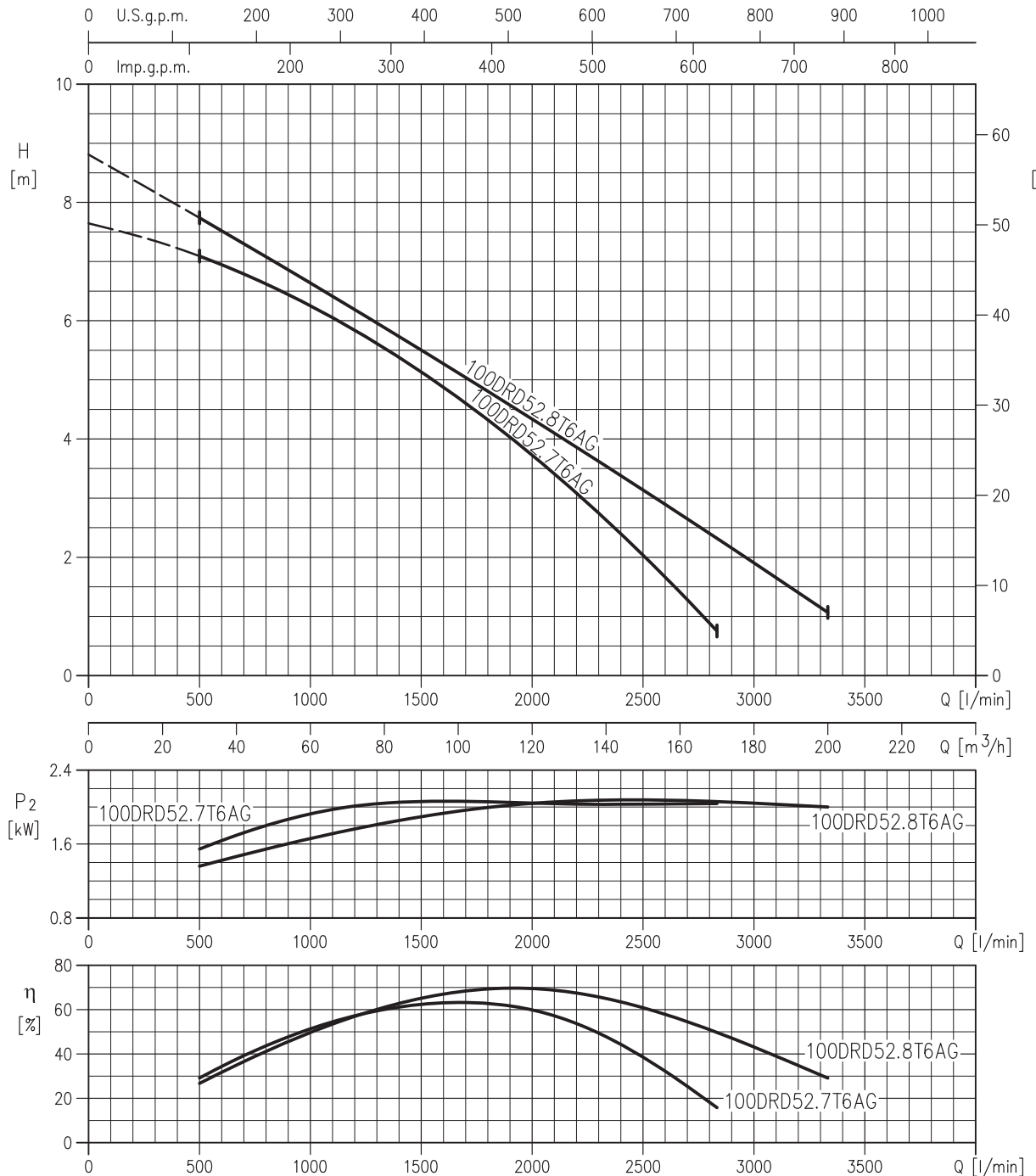


**80DRD55T2BG (5.0 kW)**  
**80DRD56T2AG (6.0 kW)**  
**80DRD57.5T2AG (7.5 kW)**



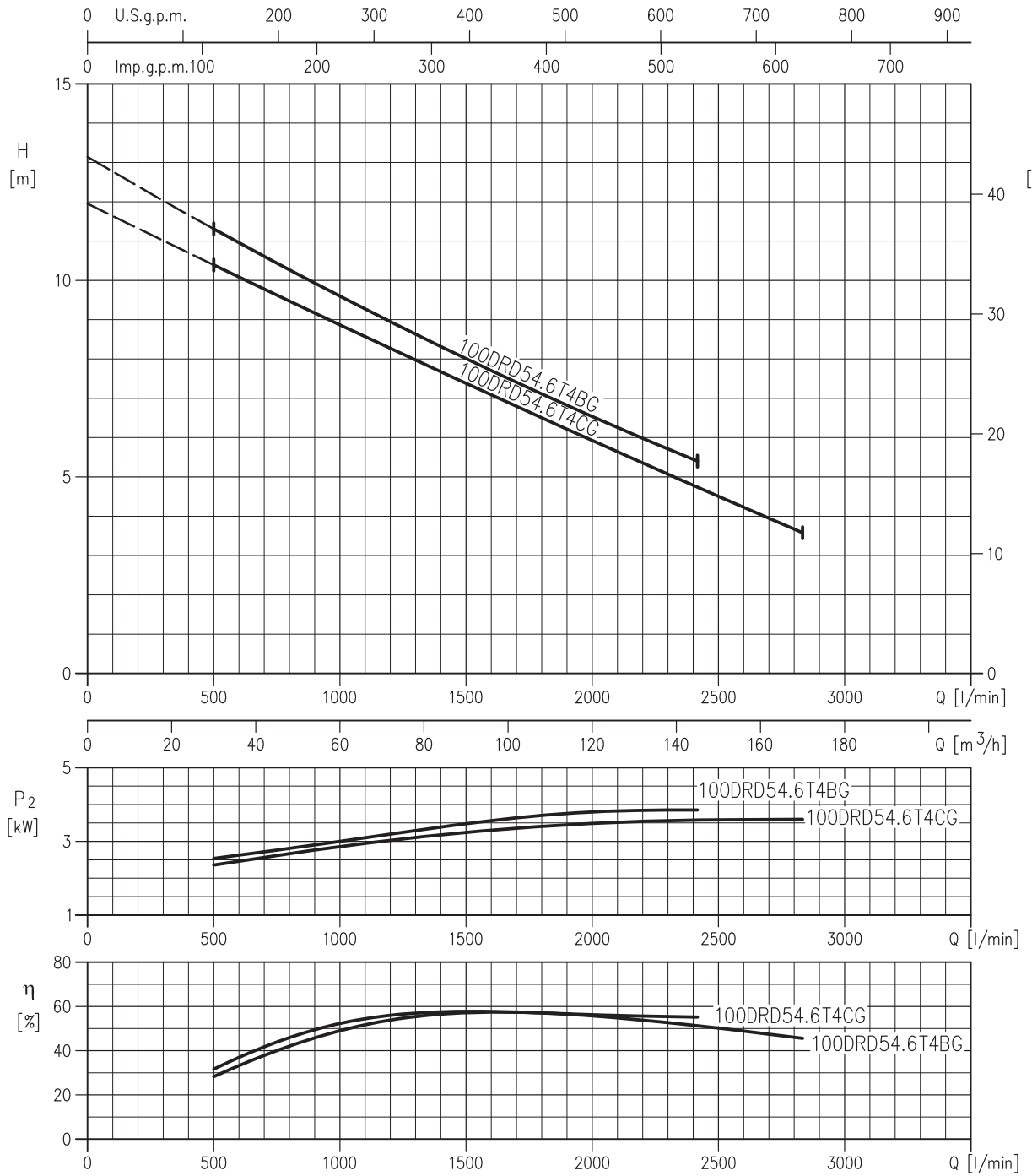
Rotation speed  $\approx 2850 \text{ min}^{-1}$   
 Test standard: ISO 9906 – Annex A

**100DRD52.7T6AG (2.7 kW)**  
**100DRD52.8T6AG (2.8 kW)**



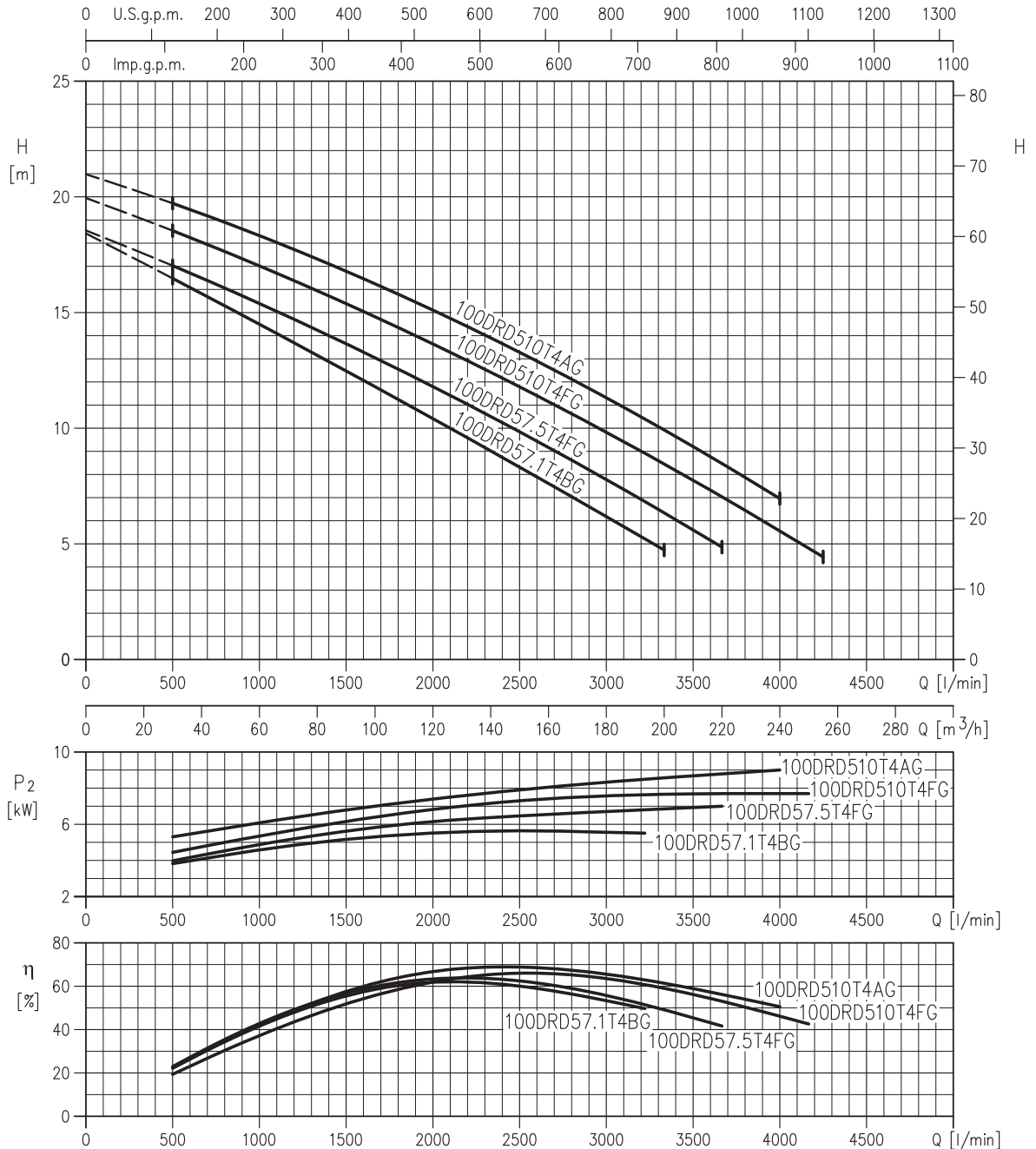
Rotation speed  $\approx 950 \text{ min}^{-1}$   
 Test standard: ISO 9906 – Annex A

**100DRD54.6T4CG (4.6 kW)**  
**100DRD54.6T4BG (4.6 kW)**



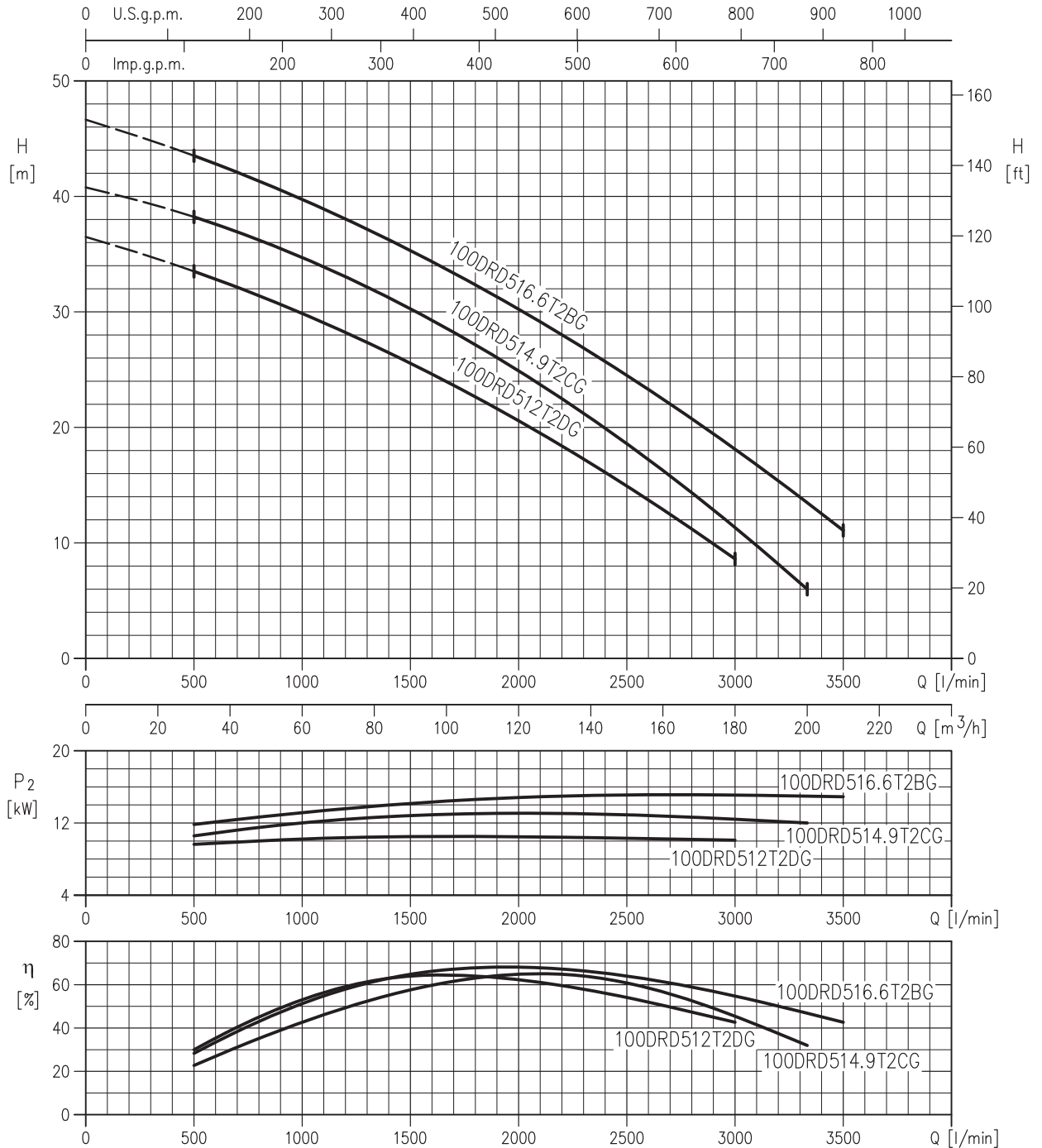
Rotation speed ≈ 1400 min<sup>-1</sup>  
 Test standard: ISO 9906 – Annex A

**100DRD57.1T4BG (7.1 kW)**  
**100DRD57.5T4FG (7.5 kW)**  
**100DRD510T4FG (10 kW)**  
**100DRD510T4AG (10 kW)**



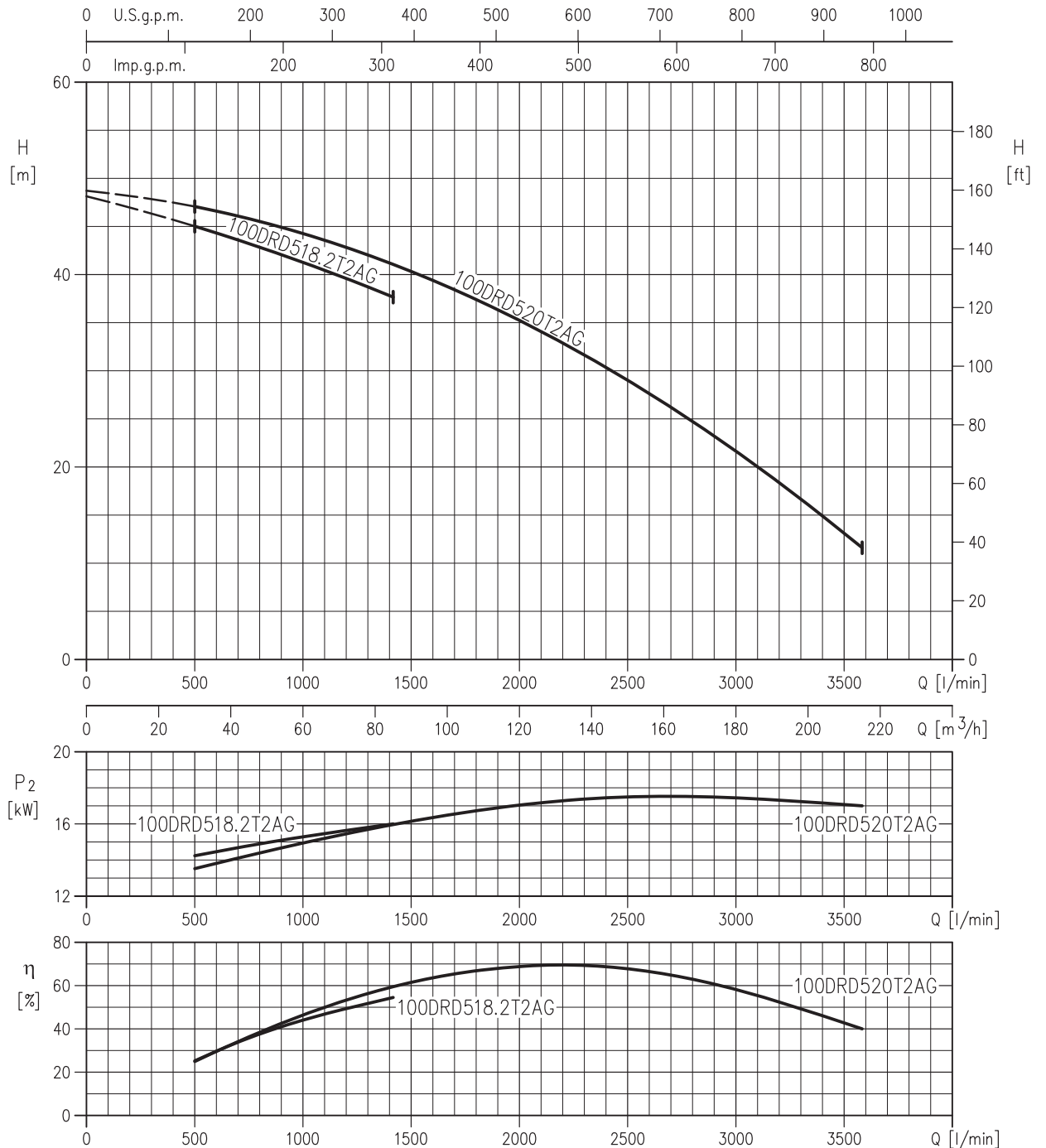
Rotation speed  $\approx 1450 \text{ min}^{-1}$   
 Test standard: ISO 9906 – Annex A

**100DRD512T2DG (12 kW)**  
**100DRD514.9T2CG (14.9 kW)**  
**100DRD516.6T2BG (16.6 kW)**



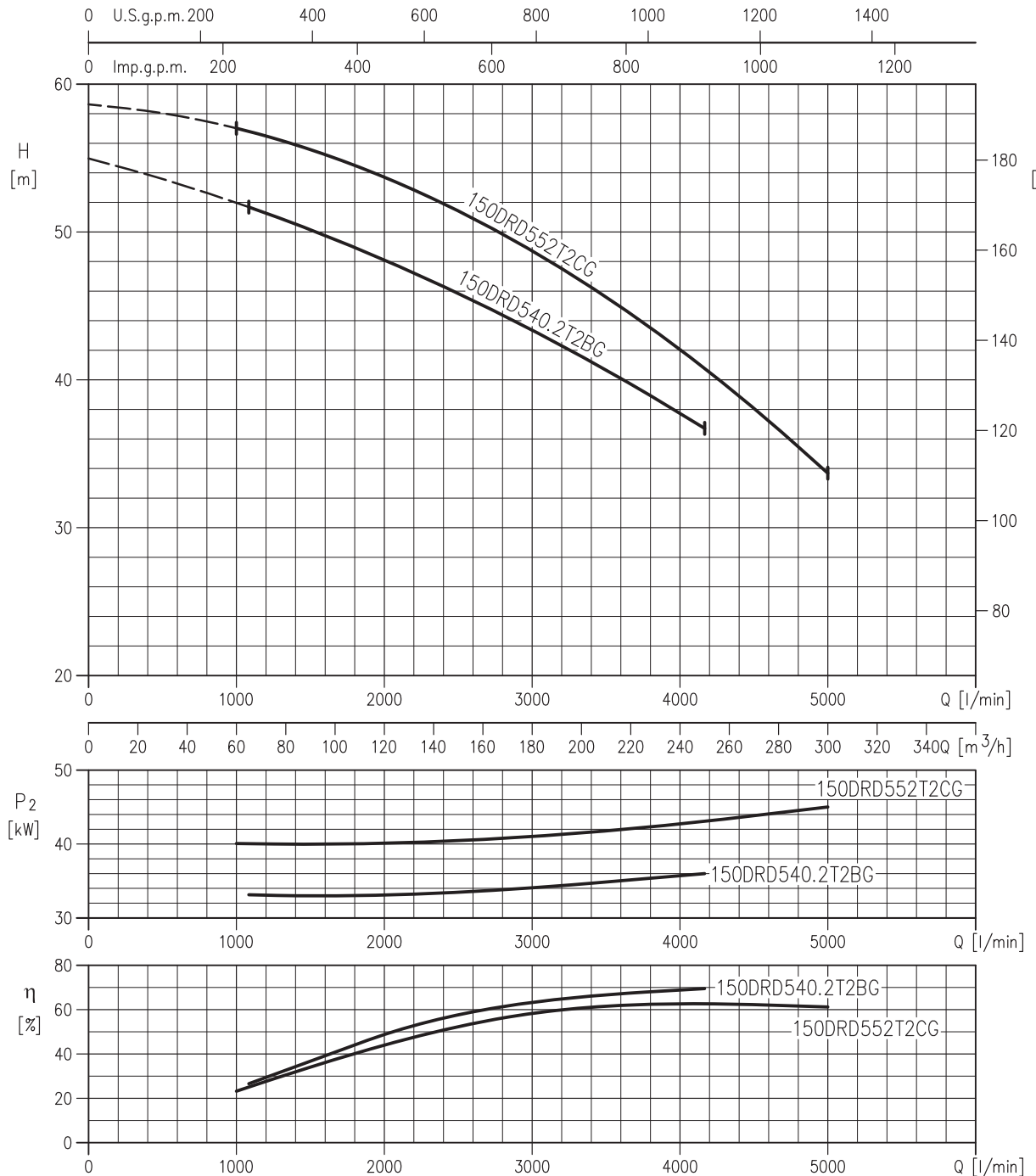
Rotation speed  $\approx 2850 \text{ min}^{-1}$   
 Test standard: ISO 9906 – Annex A

**100DRD518.2T2AG (18.2 kW)**  
**100DRD520T2AG (20 kW)**



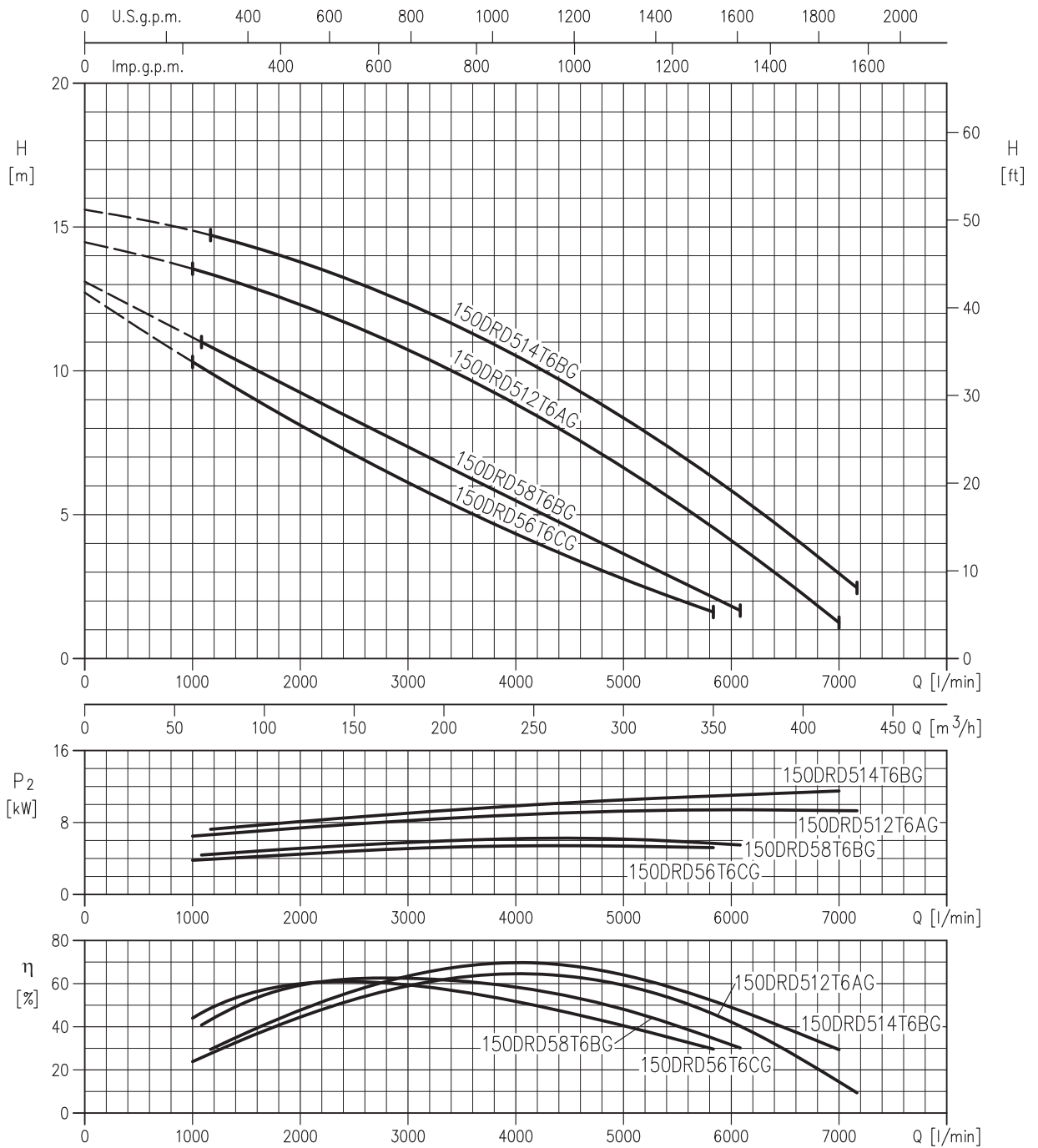
Rotation speed  $\approx 2850 \text{ min}^{-1}$   
 Test standard: ISO 9906 – Annex A

**150DRD540.2T2BG (40.2 kW)**  
**150DRD552T2CG (52 kW)**



Rotation speed  $\approx 2900 \text{ min}^{-1}$   
 Test standard: ISO 9906 – Annex A

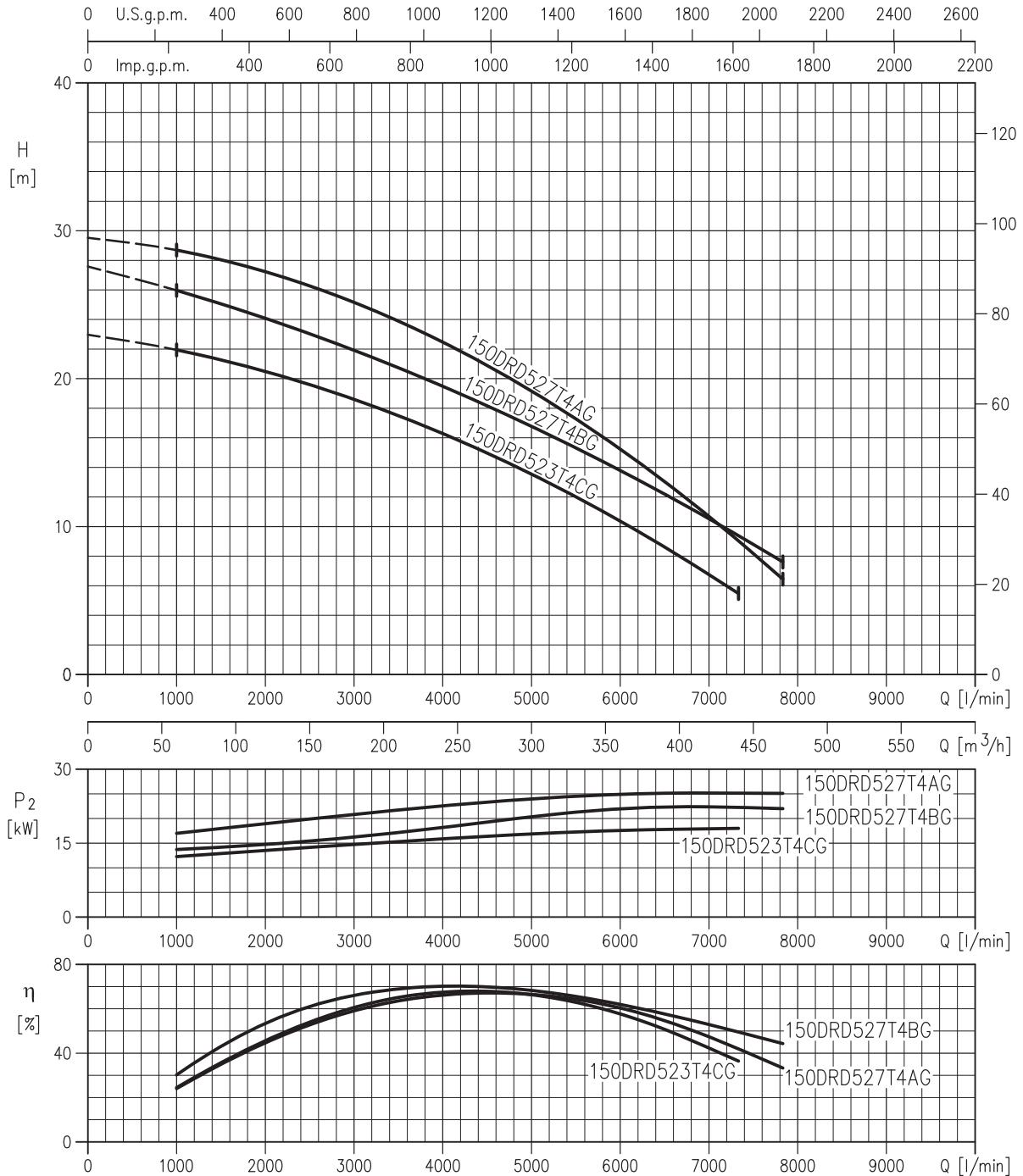
**150DRD56T6CG (6.0 kW)**  
**150DRD58T6BG (8.0 kW)**  
**150DRD512T6AG (12 kW)**  
**150DRD514T6BG (14 kW)**



Rotation speed  $\approx 950 \text{ min}^{-1}$   
 Test standard: ISO 9906 – Annex A

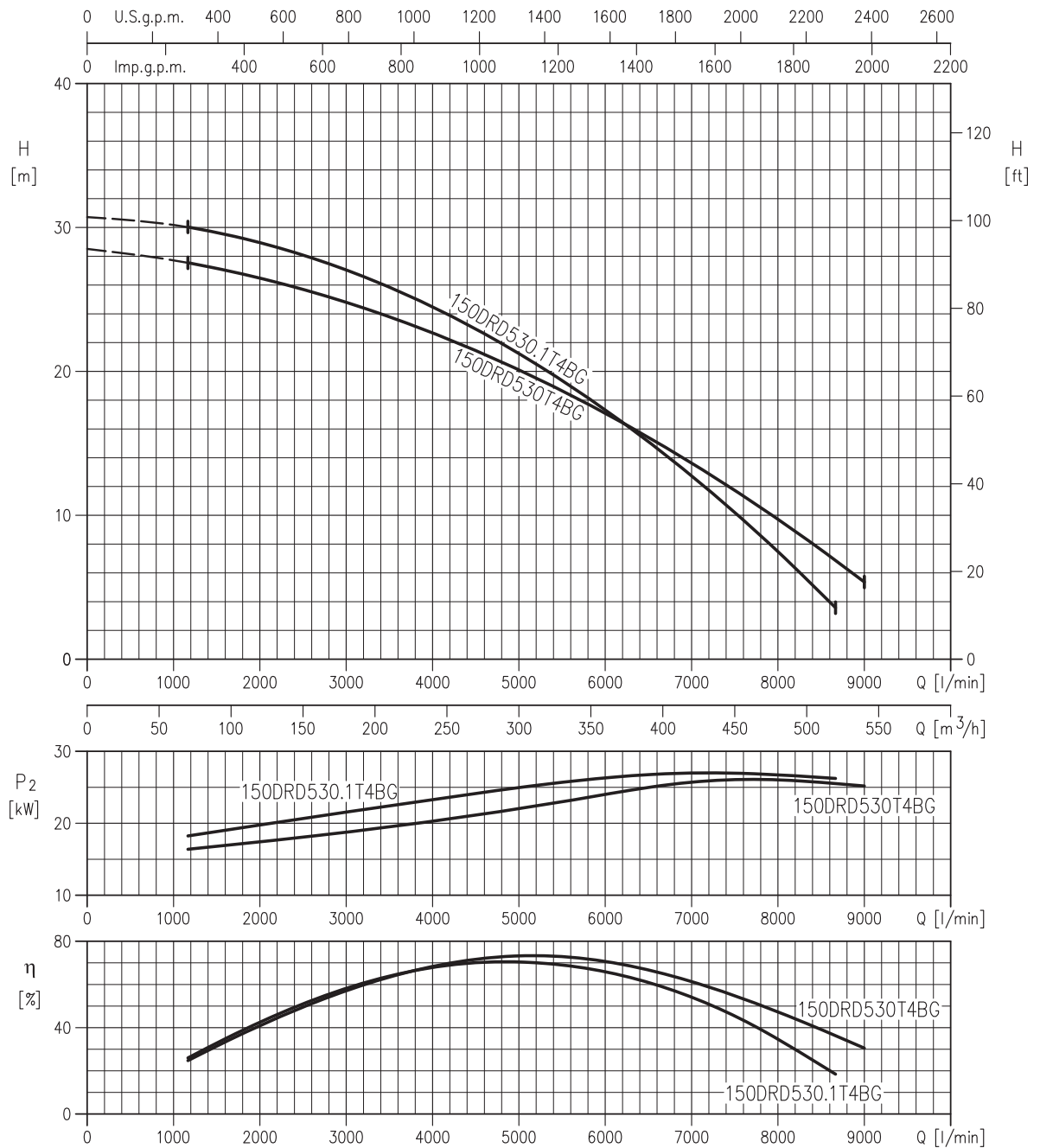


**150DRD523T4CG (23 kW)**  
**150DRD527T4BG (27 kW)**  
**150DRD527T4AG (27 kW)**



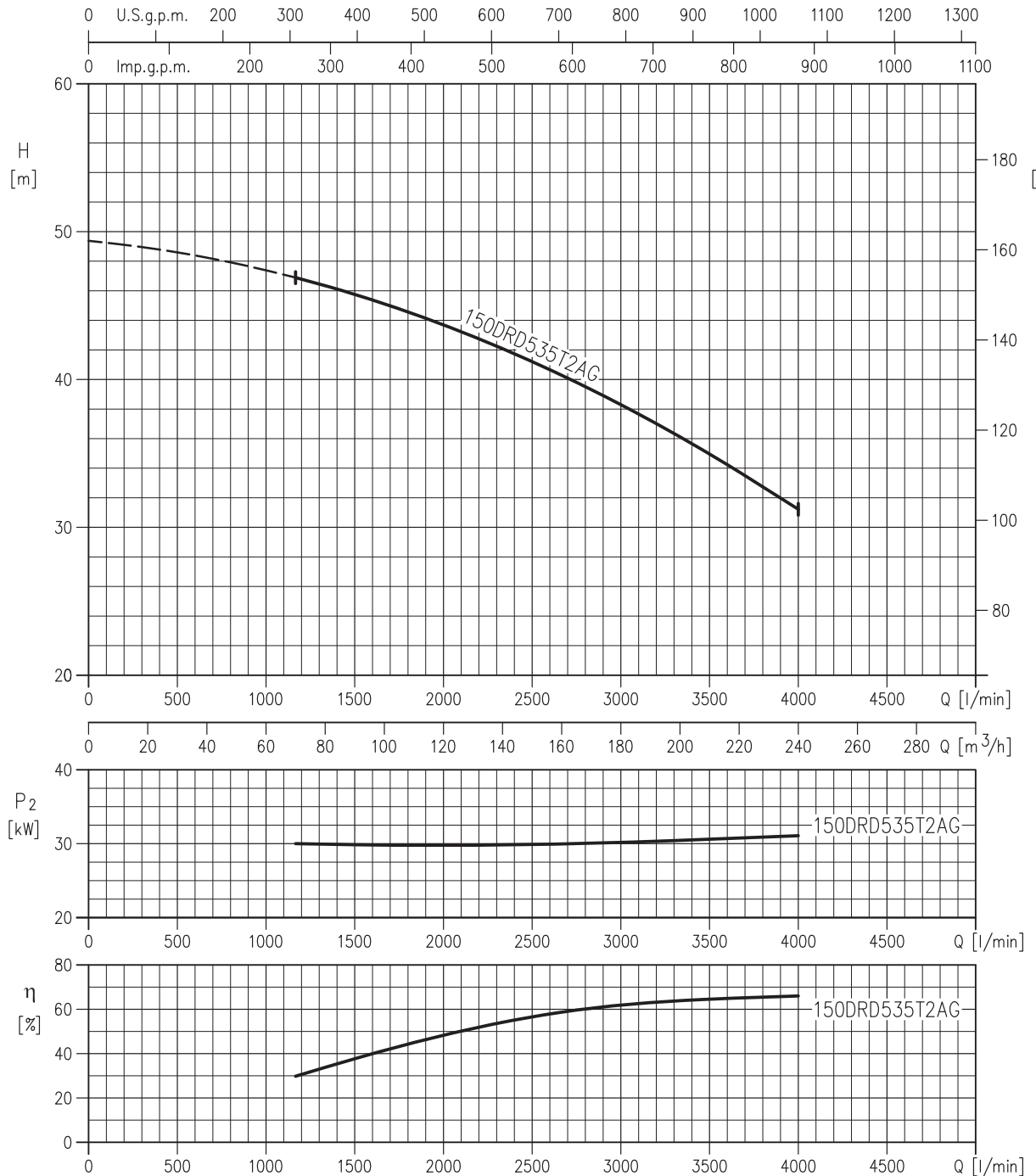
Rotation speed  $\approx 1450 \text{ min}^{-1}$   
 Test standard: ISO 9906 – Annex A

**150DRD530T4BG (30 kW)**  
**150DRD530.1T4BG (30.1 kW)**



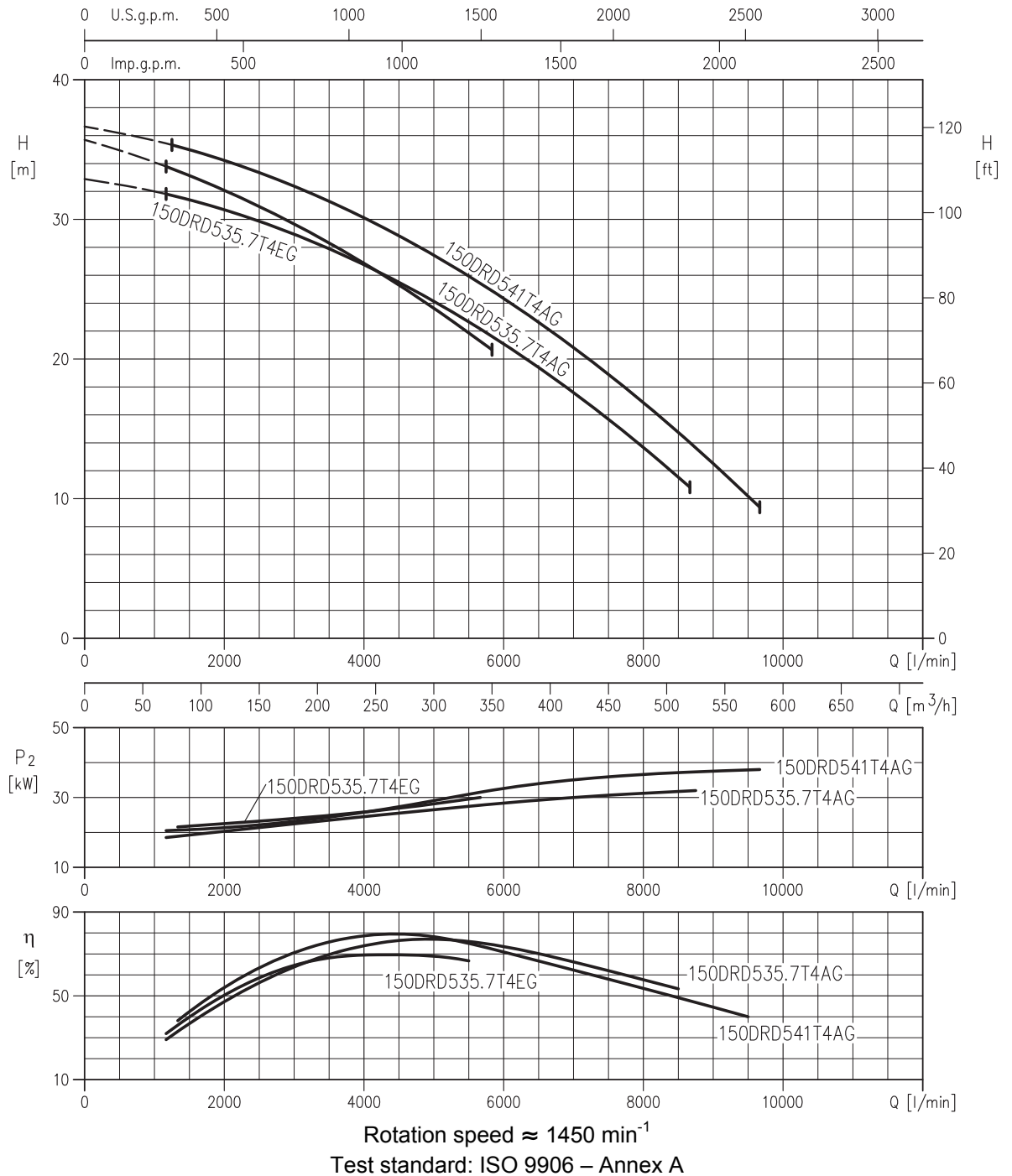
Rotation speed  $\approx 1450 \text{ min}^{-1}$   
 Test standard: ISO 9906 – Annex A

150DRD535T2AG (35 kW)

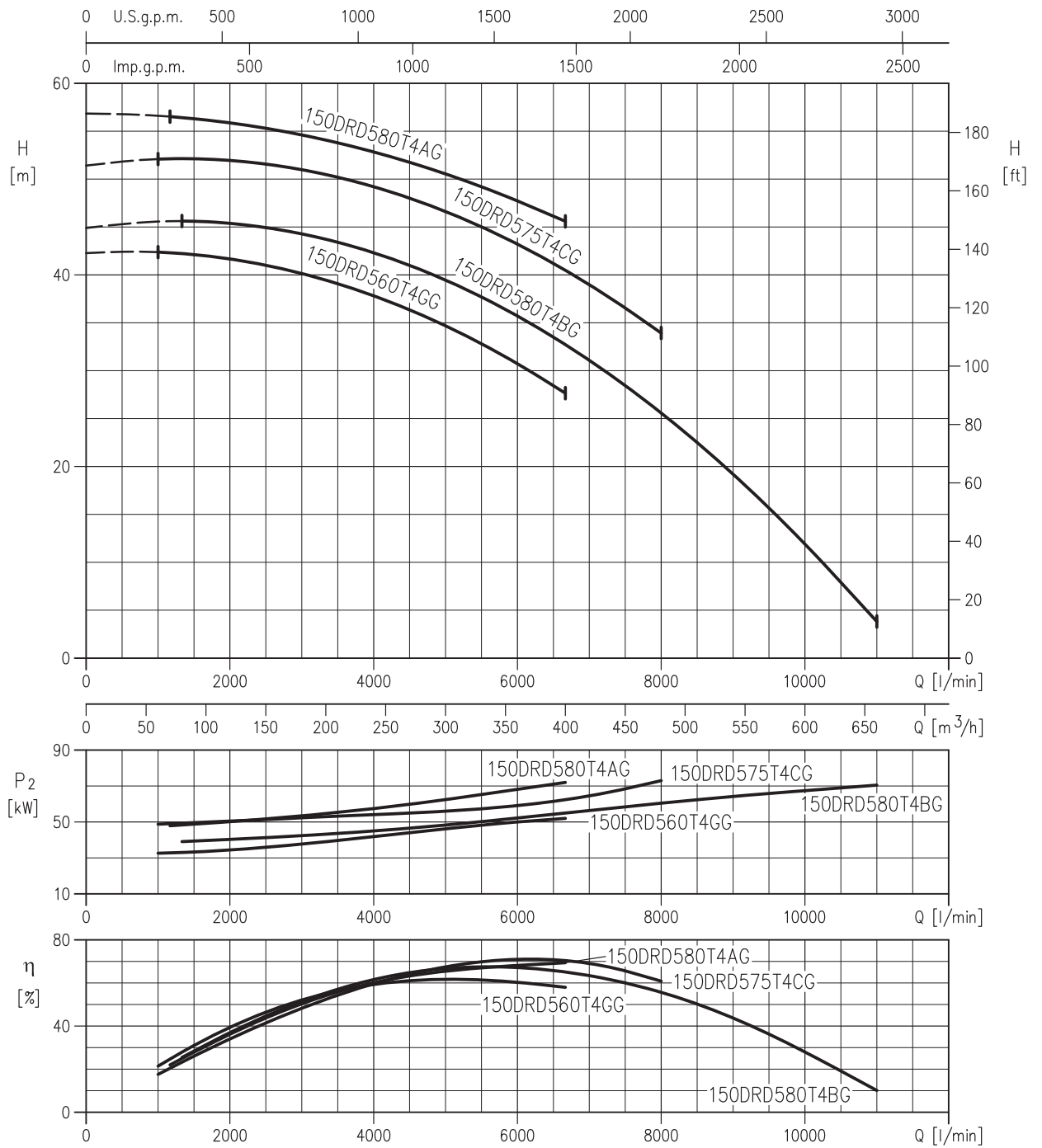


Rotation speed ≈ 2900 min<sup>-1</sup>  
 Test standard: ISO 9906 – Annex A

**150DRD535.7T4EG (35.7 kW)**  
**150DRD535.7T4AG (35.7 kW)**  
**150DRD541T4AG (41 kW)**

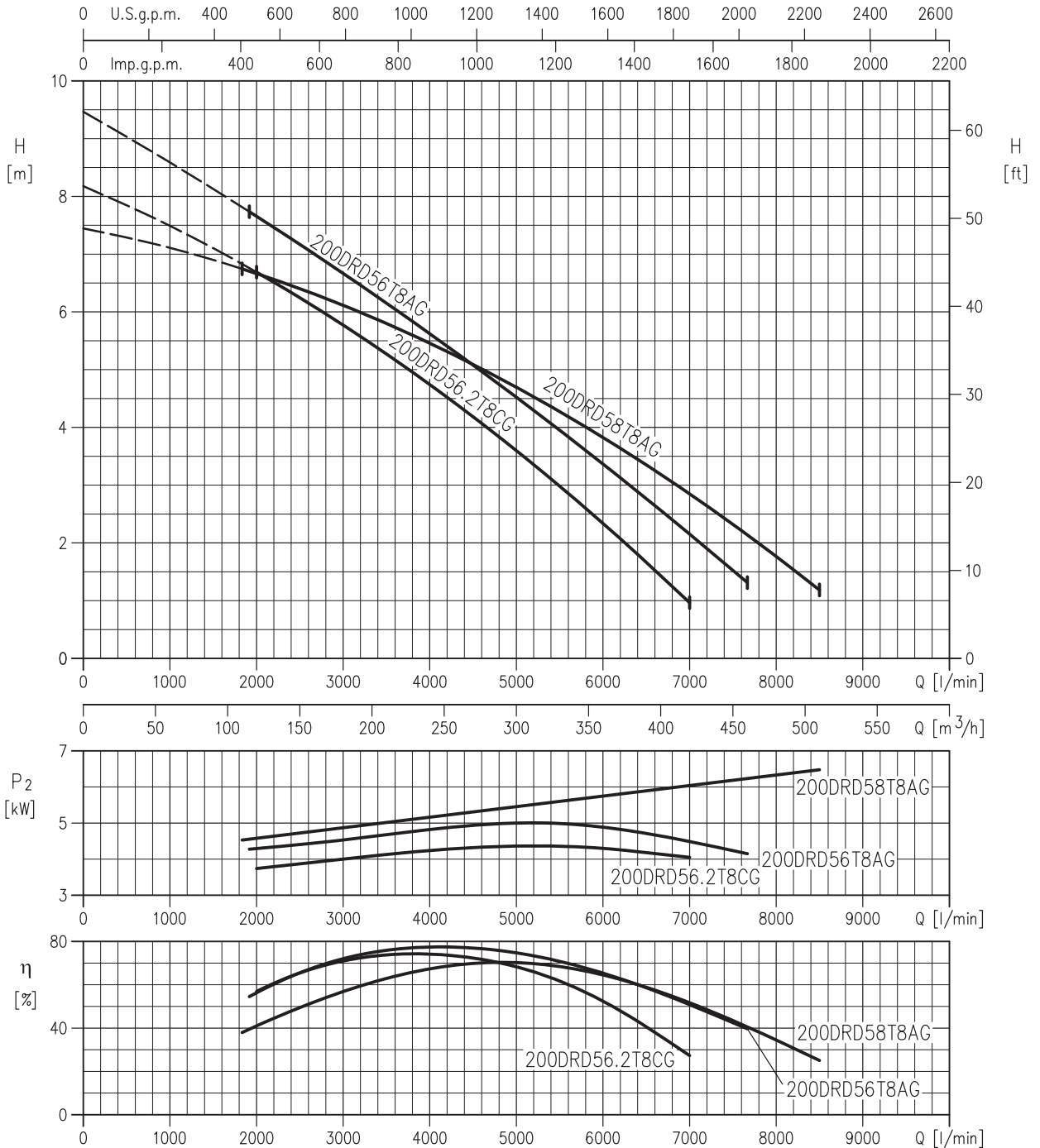


150DRD560T4GG (60 kW)  
 150DRD575T4CG (75 kW)  
 150DRD580T4BG (80 kW)  
 150DRD580T4AG (80 kW)



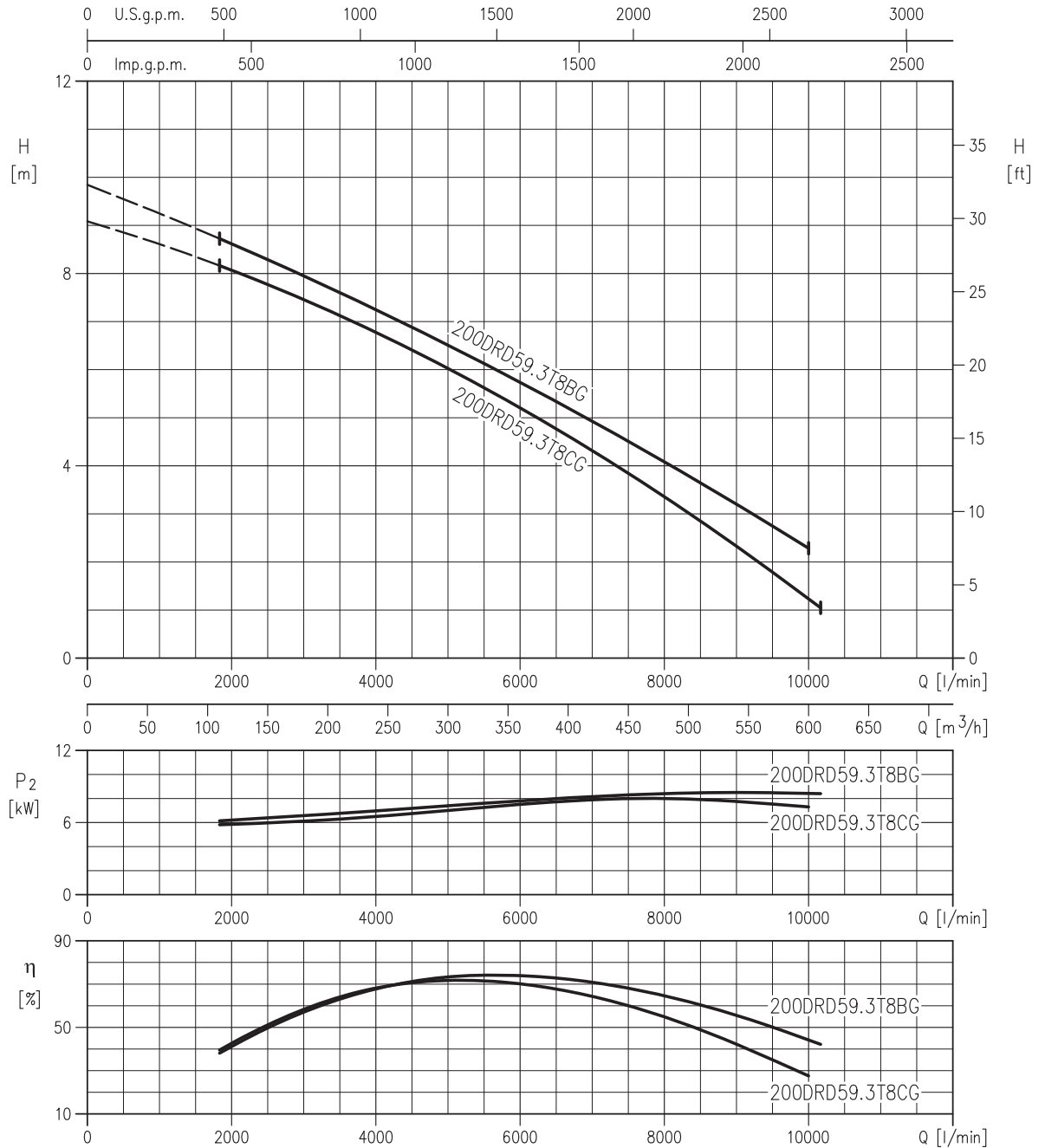
Rotation speed ≈ 1450 min<sup>-1</sup>  
 Test standard: ISO 9906 – Annex A

**200DRD56T8AG (6.0 kW)**  
**200DRD56.2T8CG (6.2 kW)**  
**200DRD58T8AG (8.0 kW)**



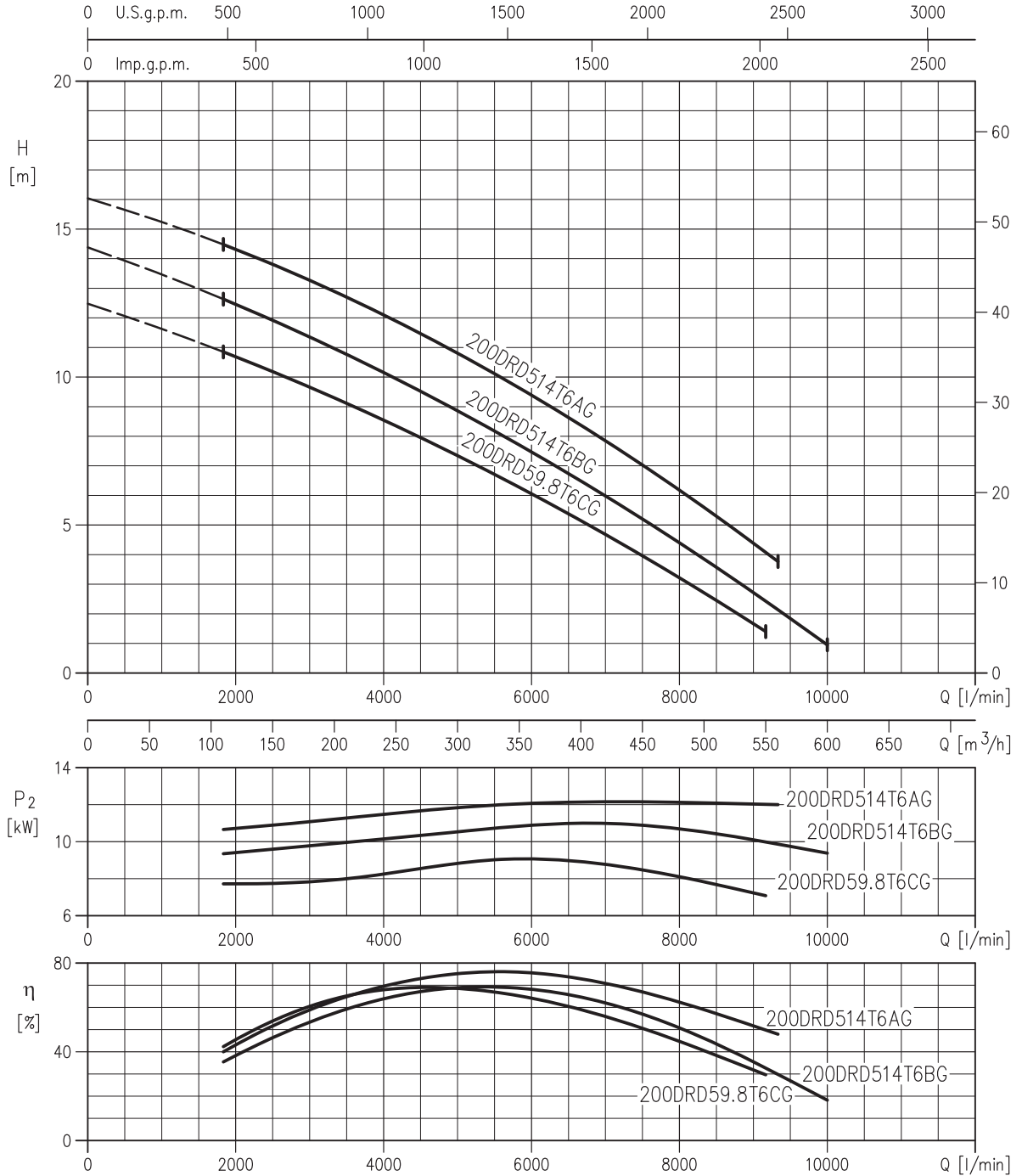
Rotation speed  $\approx 700 \text{ min}^{-1}$   
 Test standard: ISO 9906 – Annex A

**200DRD59.3T8CG (9.3 kW)**  
**200DRD59.3T8BG (9.3 kW)**



Rotation speed  $\approx 700 \text{ min}^{-1}$   
 Test standard: ISO 9906 – Annex A

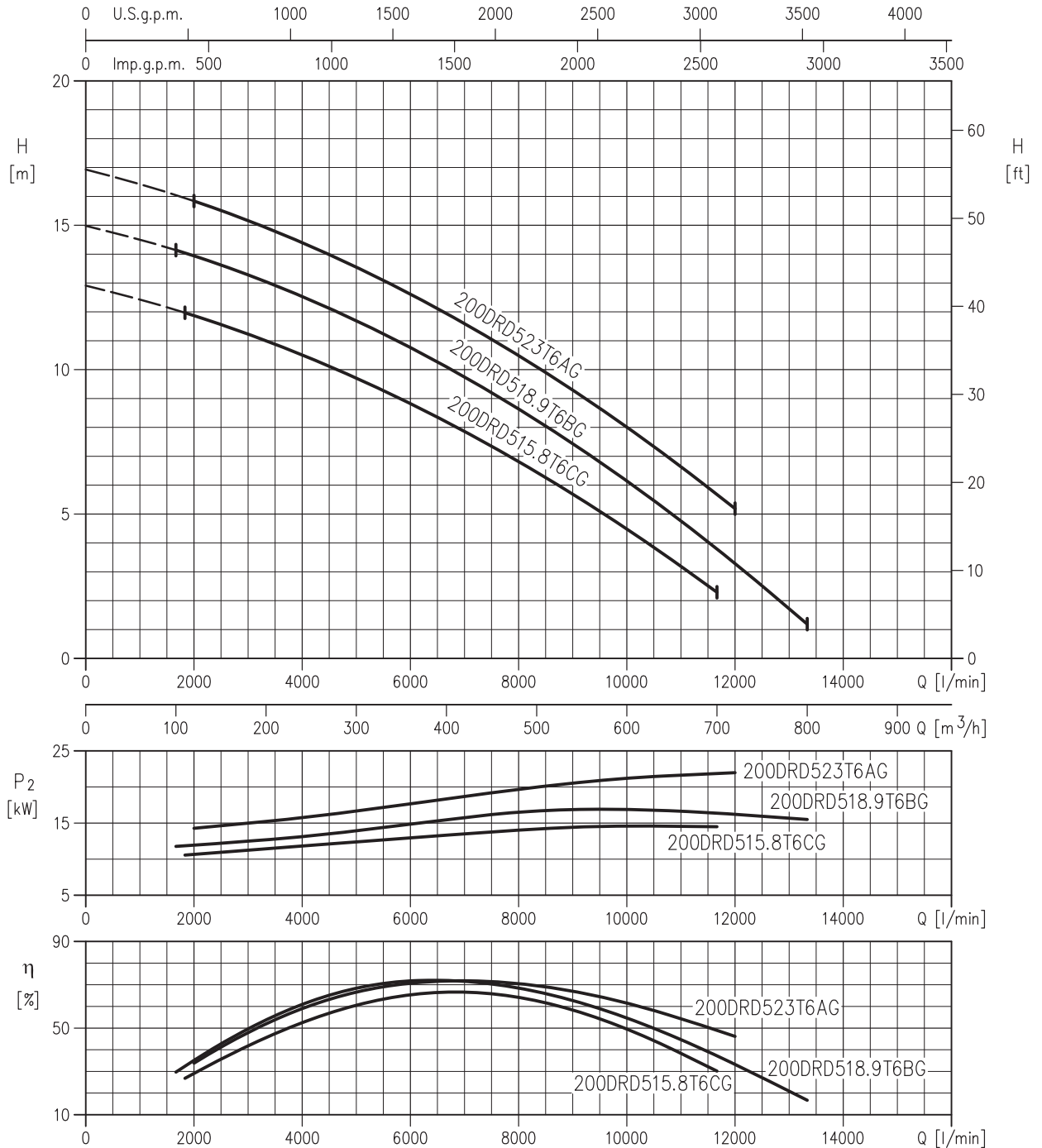
**200DRD59.8T6CG (9.8 kW)**  
**200DRD514T6BG (14 kW)**  
**200DRD514T6AG (14 kW)**



Rotation speed  $\approx 950 \text{ min}^{-1}$   
 Test standard: ISO 9906 – Annex A

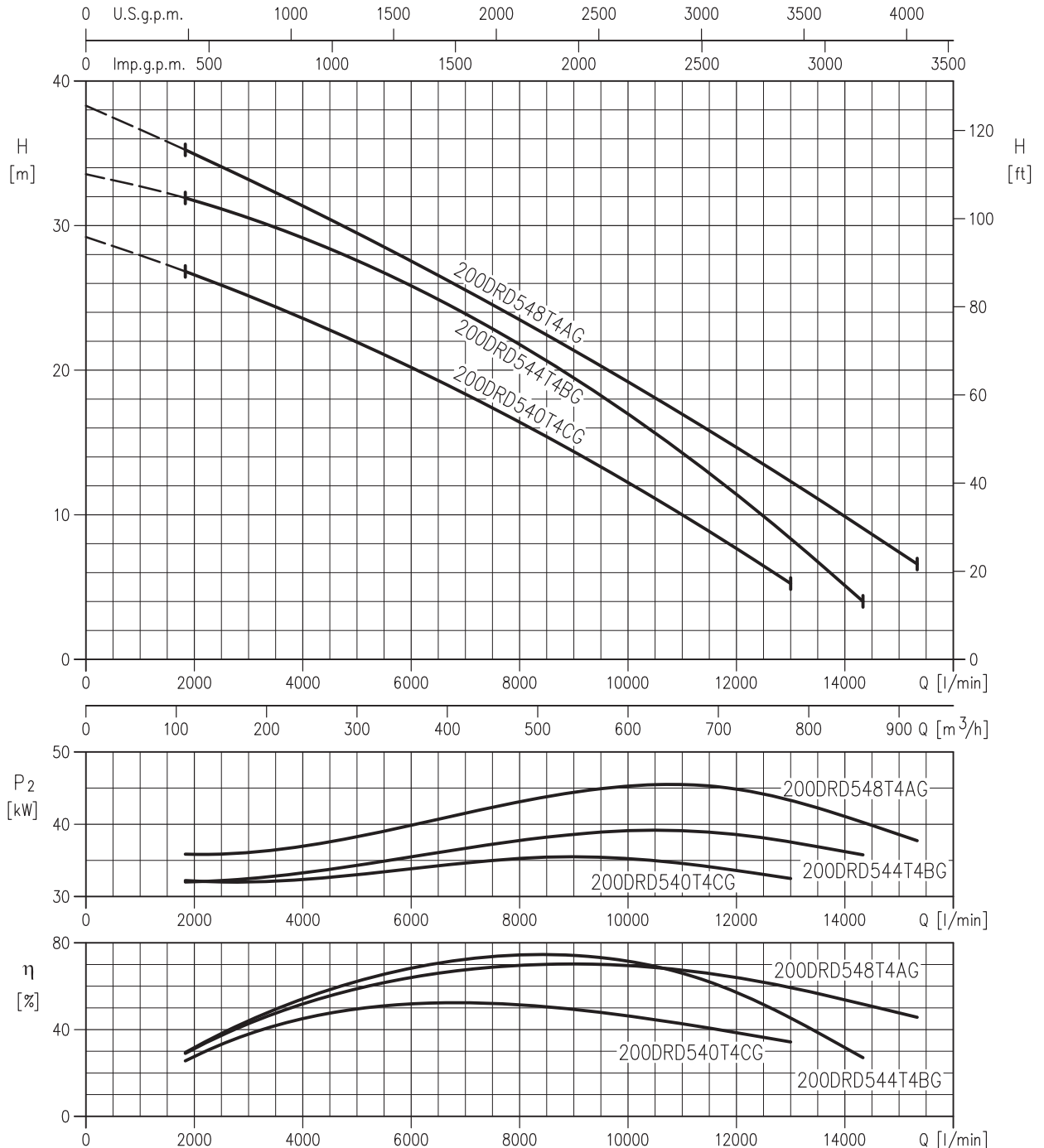


**200DRD515.8T6CG (15.8 kW)**  
**200DRD518.9T6BG (18.9 kW)**  
**200DRD523T6AG (23 kW)**



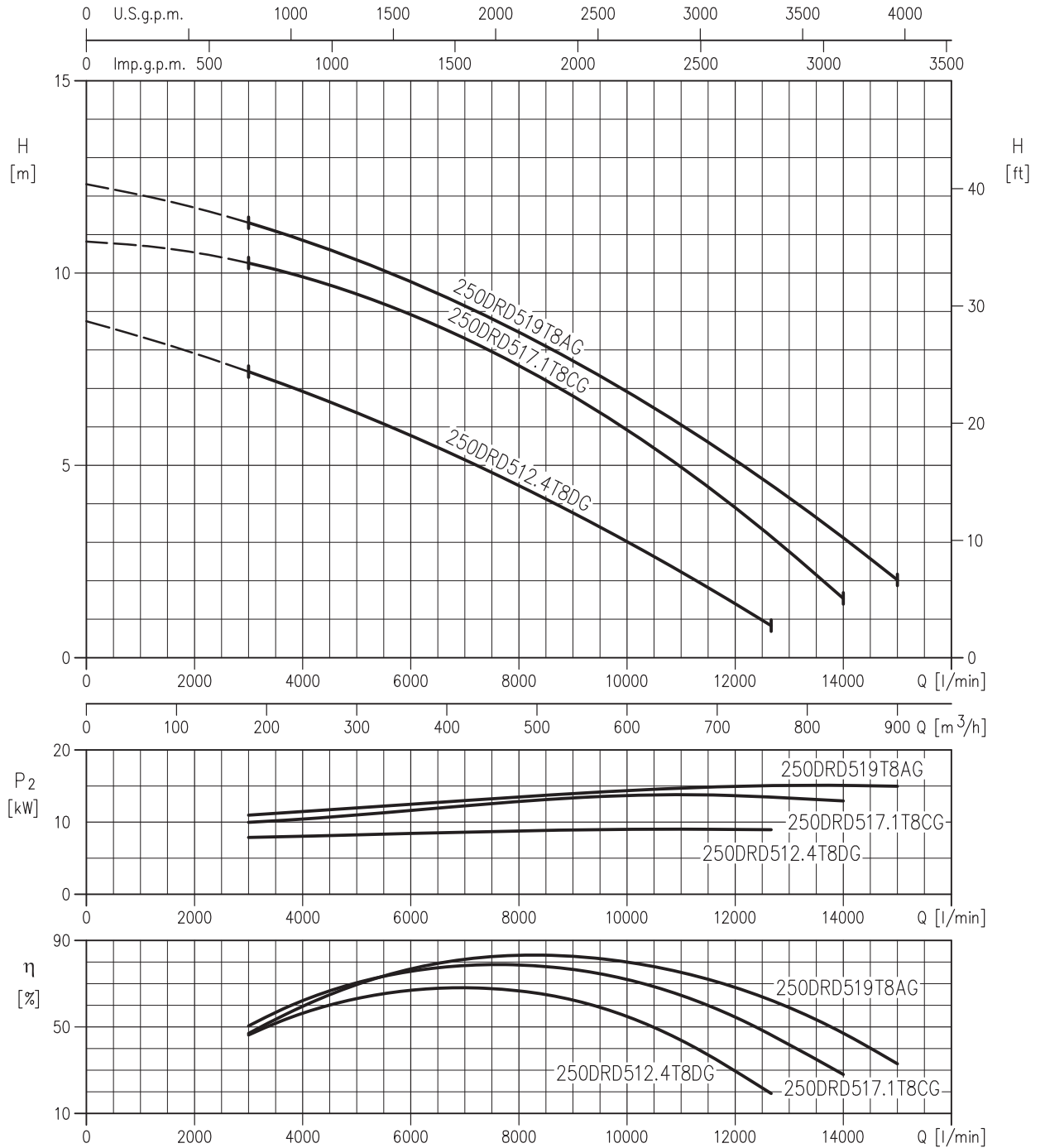
Rotation speed  $\approx 950 \text{ min}^{-1}$   
 Test standard: ISO 9906 – Annex A

**200DRD540T4CG (40 kW)**  
**200DRD544T4BG (44 kW)**  
**200DRD548T4AG (48 kW)**

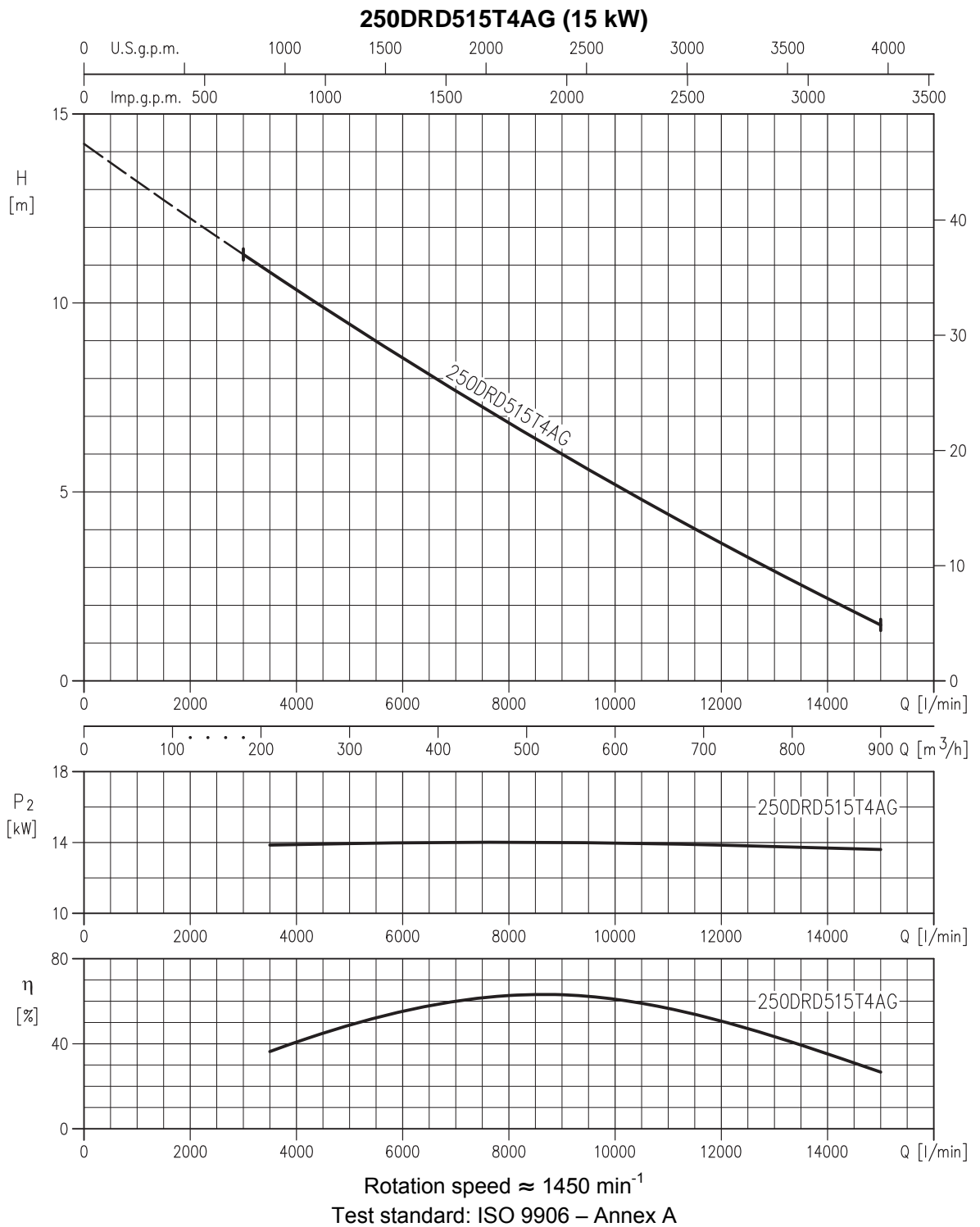


Rotation speed  $\approx 1450 \text{ min}^{-1}$   
 Test standard: ISO 9906 – Annex A

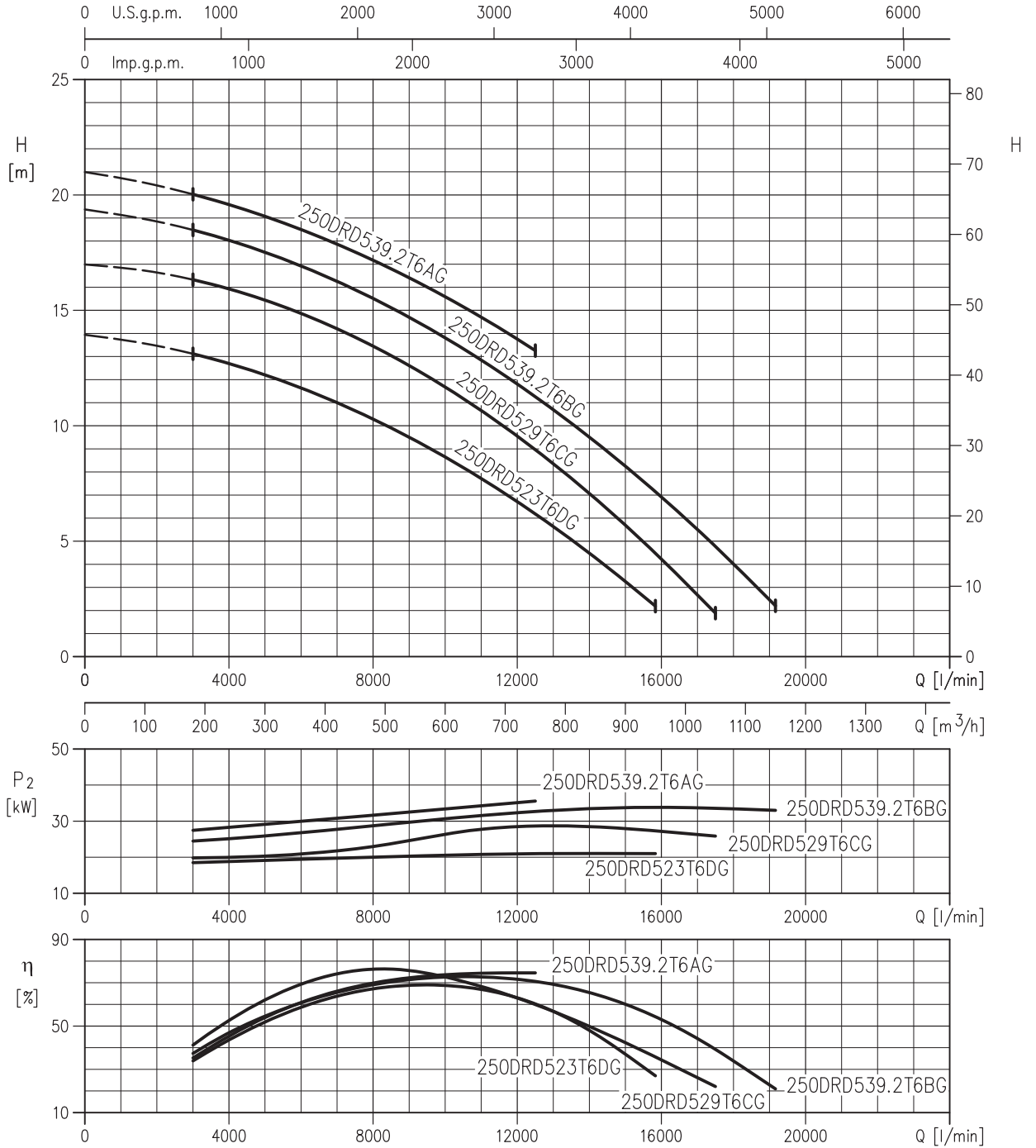
**250DRD512.4T8DG (12.4 kW)**  
**250DRD517.1T8CG (17.1 kW)**  
**250DRD519T8AG (19 kW)**



Rotation speed  $\approx 700 \text{ min}^{-1}$   
 Test standard: ISO 9906 – Annex A

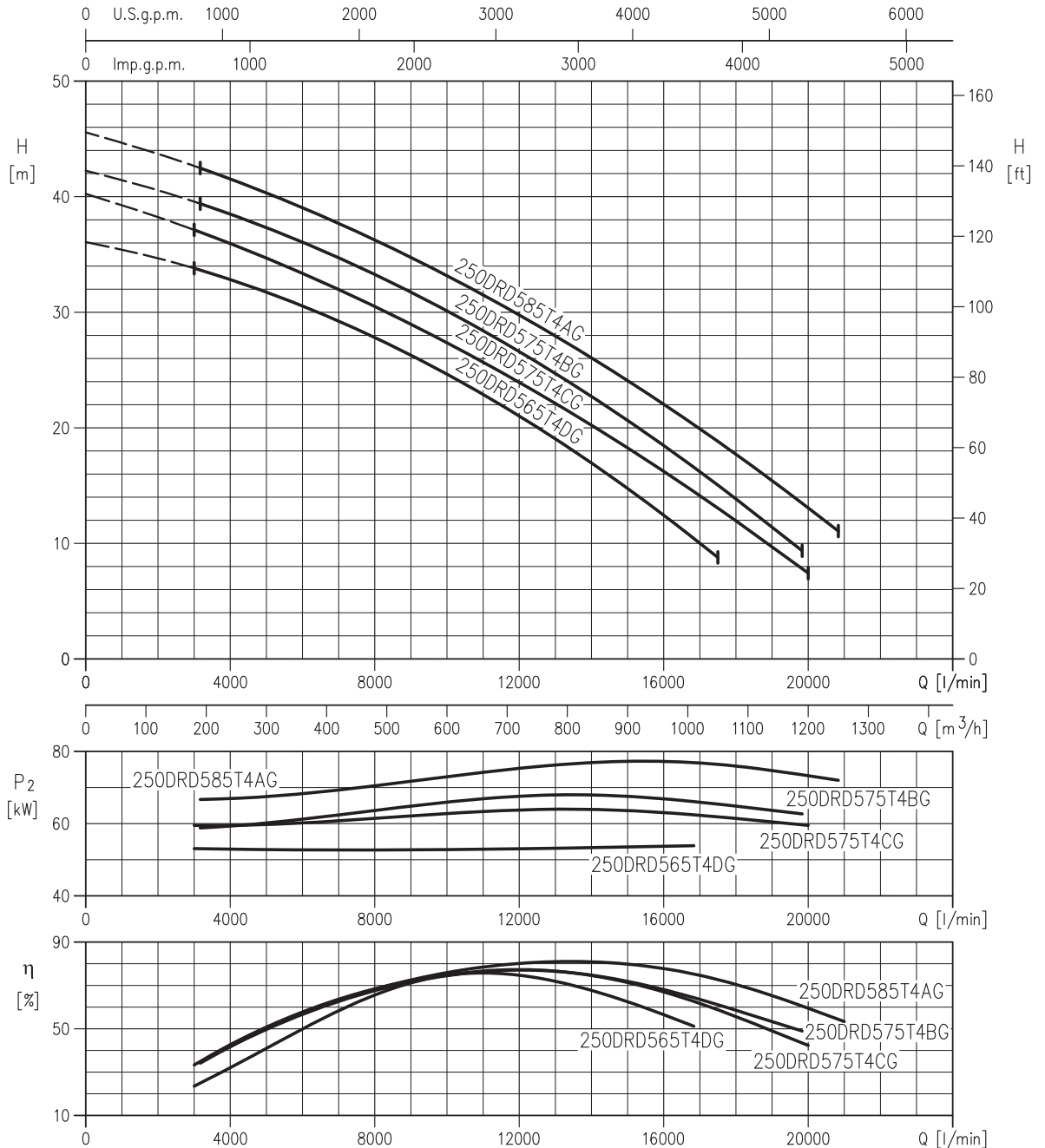


**250DRD523T6DG (23 kW)**  
**250DRD529T6CG (29 kW)**  
**250DRD539.2T6BG (39.2 kW)**  
**250DRD539.2T6AG (39.2 kW)**



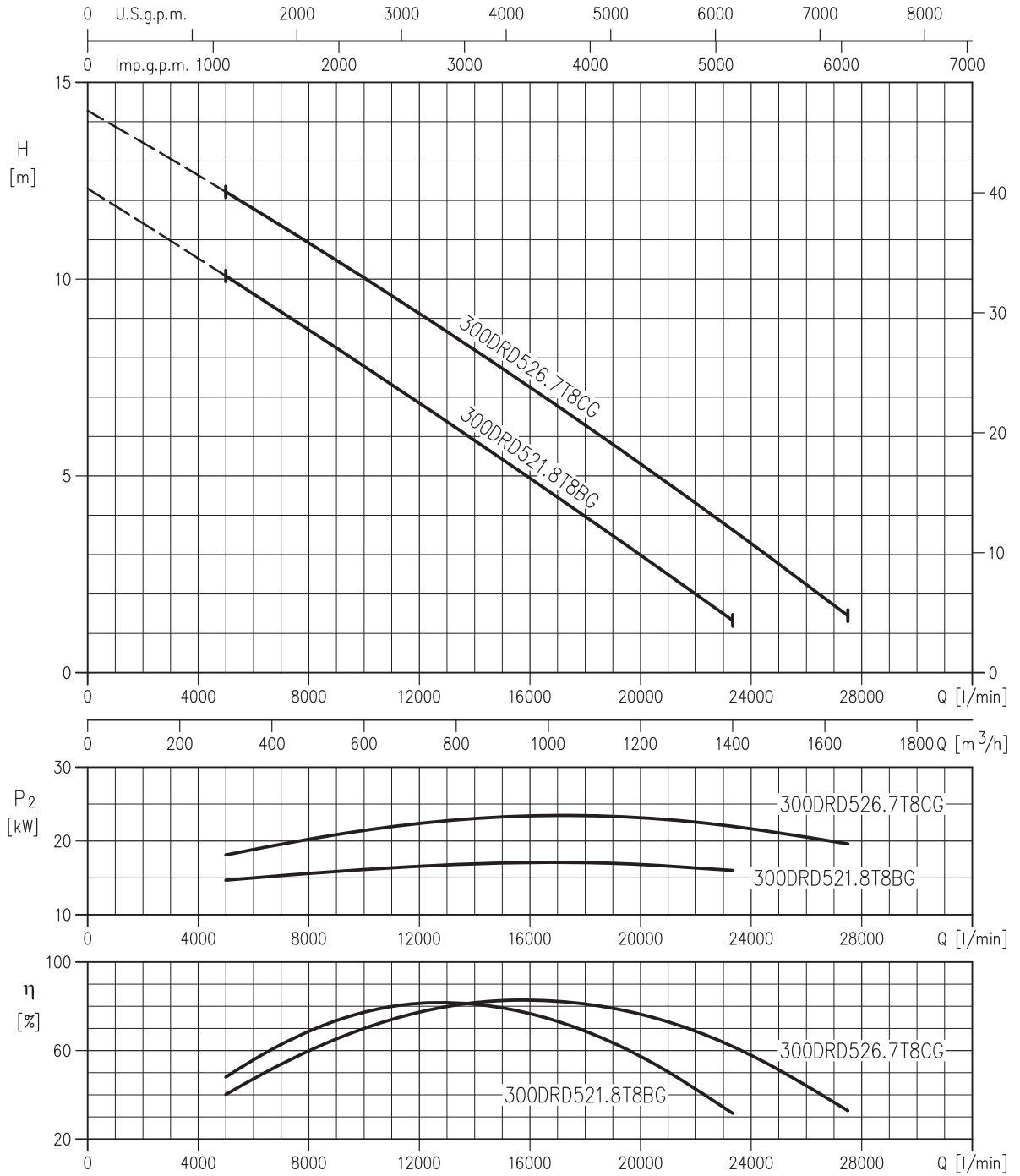
Rotation speed  $\approx 950 \text{ min}^{-1}$   
 Test standard: ISO 9906 – Annex A

**250DRD565T4DG (65 kW)**  
**250DRD575T4CG (75 kW)**  
**250DRD575T4BG (75 kW)**  
**250DRD585T4AG (85 kW)**



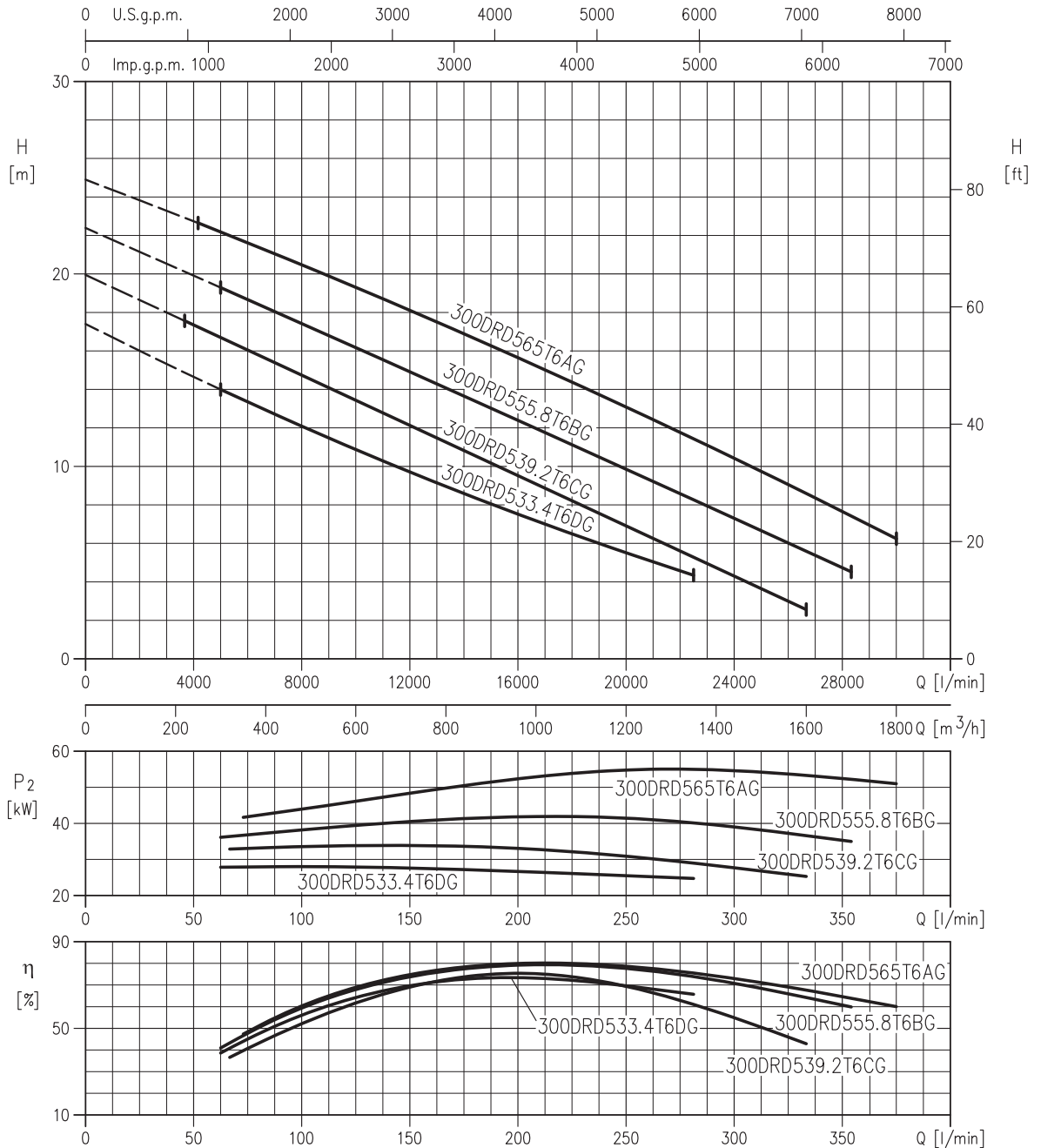
Rotation speed  $\approx 1450 \text{ min}^{-1}$   
 Test standard: ISO 9906 – Annex A

**300DRD521.8T8BG (21.8 kW)**  
**300DRD526.7T8CG (26.7 kW)**



Rotation speed  $\approx 700 \text{ min}^{-1}$   
 Test standard: ISO 9906 – Annex A

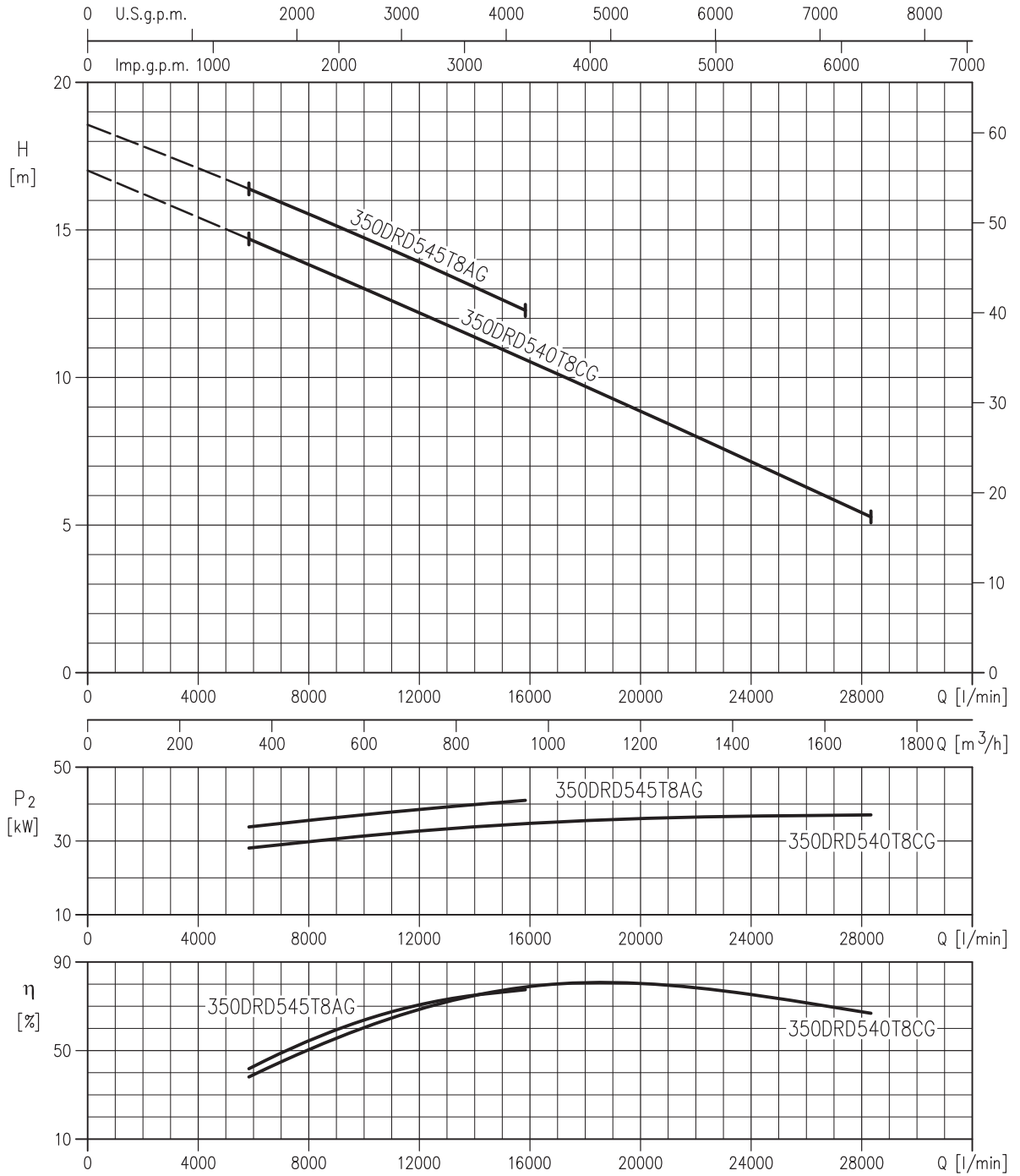
**300DRD533.4T6DG (33.4 kW)**  
**300DRD539.2T6CG (39.2 kW)**  
**300DRD555.8T6BG (55.8 kW)**  
**300DRD565T6AG (65 kW)**



Rotation speed  $\approx 950 \text{ min}^{-1}$   
 Test standard: ISO 9906 – Annex A

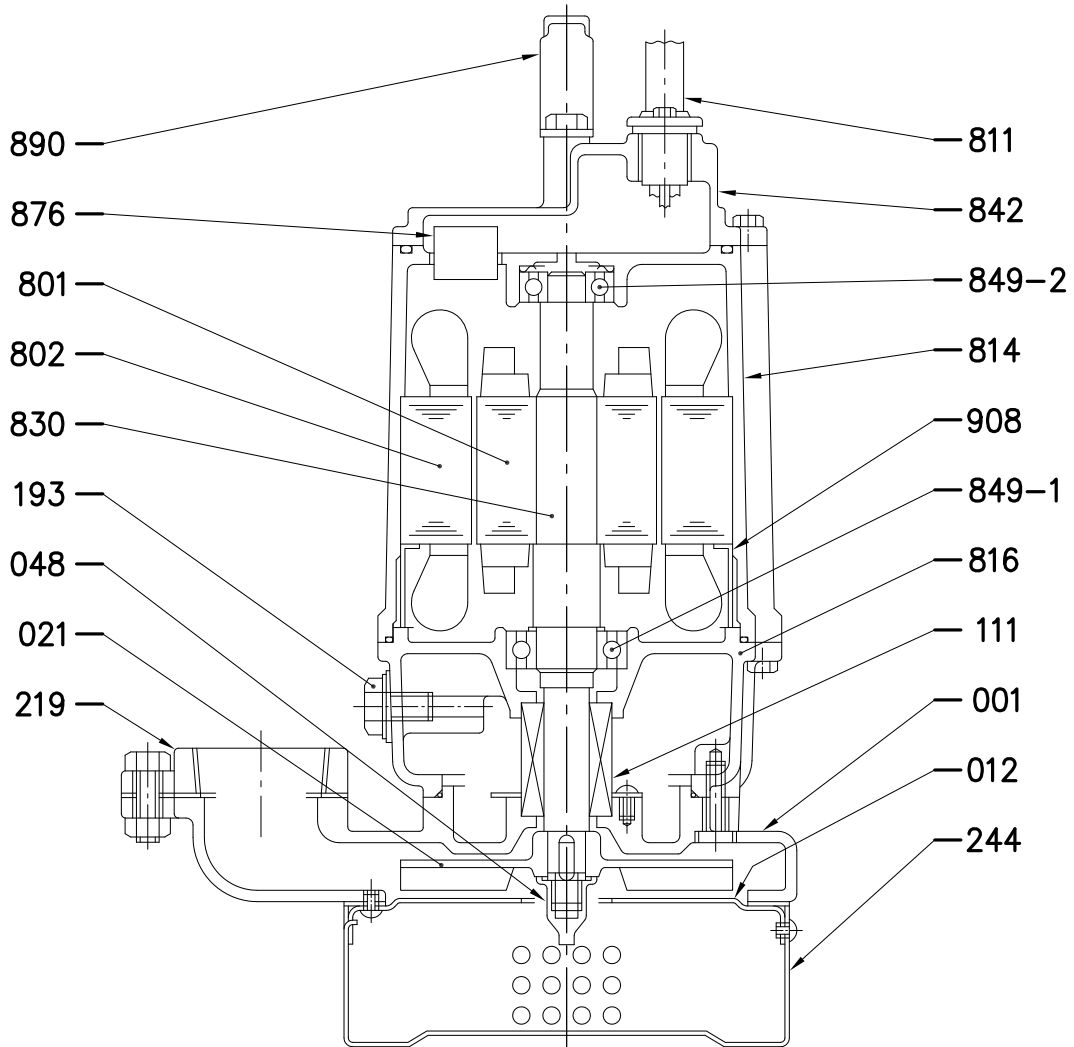


**350DRD540T8CG (40 kW)**  
**350DRD545T8AG (45 kW)**



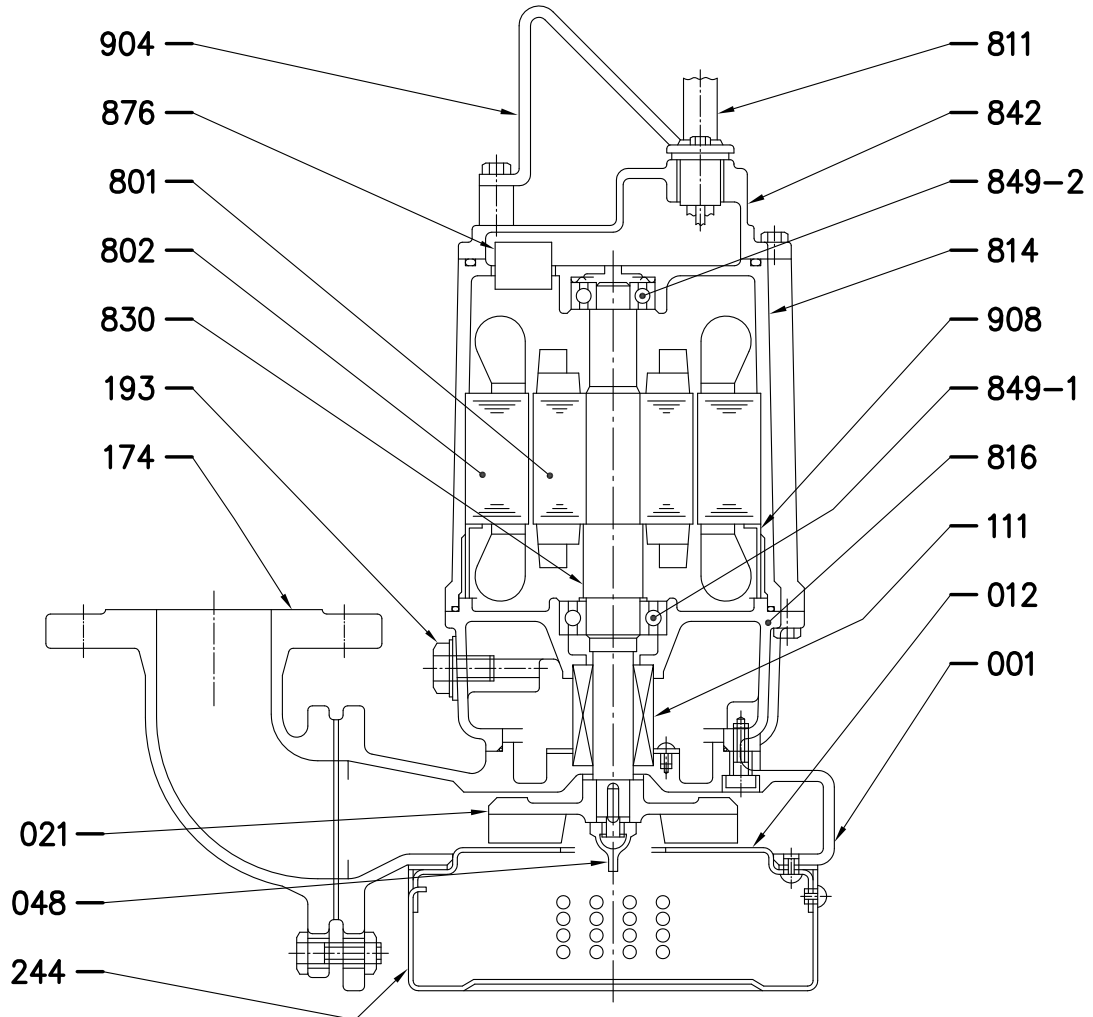
Rotation speed  $\approx 700 \text{ min}^{-1}$   
 Test standard: ISO 9906 – Annex A

**50DS (1.5kW)**



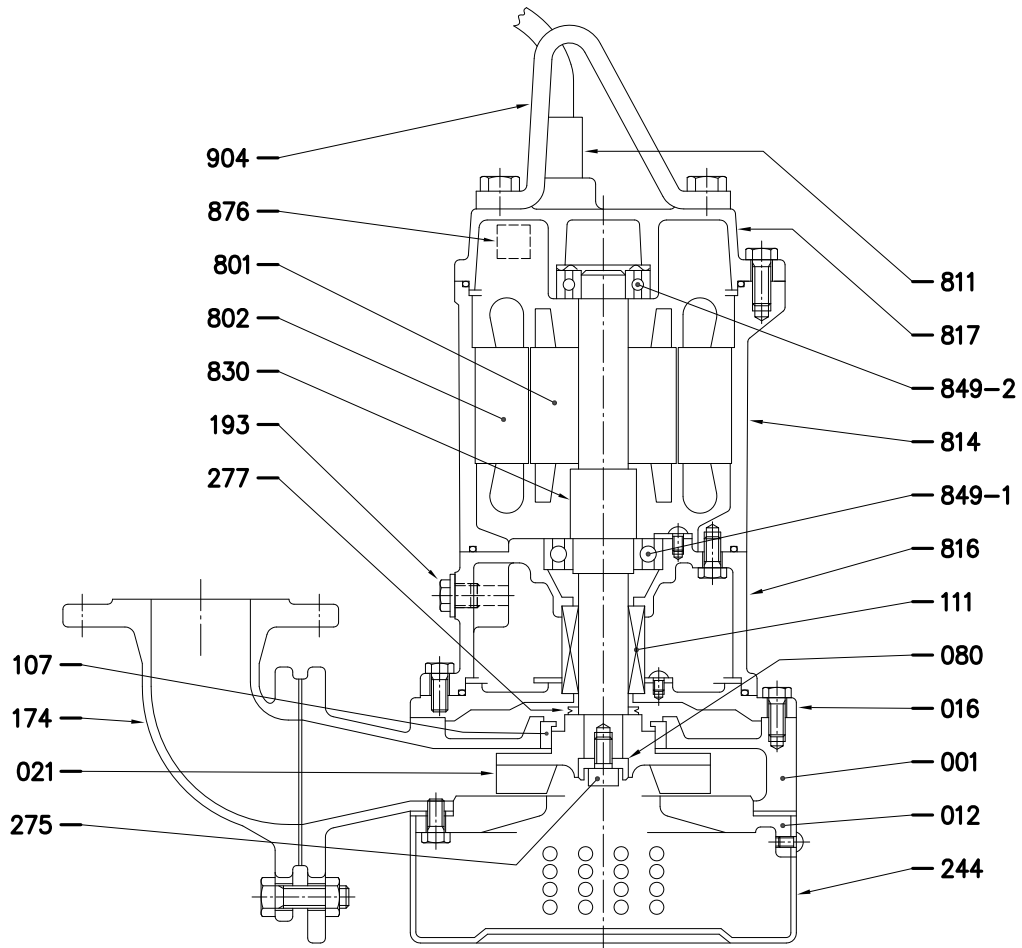
| N°  | PART. NAME       | MATERIAL                         | Q.TY | N°    | PART. NAME         | MATERIAL                         | Q.TY |
|-----|------------------|----------------------------------|------|-------|--------------------|----------------------------------|------|
| 001 | CASING           | Cast iron<br>EN-GHJL-200-EN 1561 | 1    | 811   | SUBMERSIBLE CABLE  | -                                | 1    |
| 012 | SUCTION COVER    | EN 1.4301 (AISI304)              | 1    | 814   | MOTOR FRAME        | Cast iron<br>EN-GHJL-200-EN 1561 | 1    |
| 021 | IMPELLER         | Cast iron<br>EN-GHJL-200-EN 1561 | 1    | 816   | POWER SIDE BRACKET | Cast iron<br>EN-GHJL-200-EN 1561 | 1    |
| 048 | IMPELLER NUT     | Brass                            | 1    | 830   | SHAFT              | EN 1.4006 (AISI403)              | 1    |
| 111 | MECHANICAL SEAL  | -                                | 1    | 842   | MOTOR COVER        | Cast iron<br>EN-GHJL-200-EN 1561 | 1    |
| 193 | OIL PLUG         | NBR/EN 1.4301<br>(AISI304)       | 1    | 849-1 | BALL BEARING       | -                                | 1    |
| 219 | COMPANION FLANGE | Cast iron<br>EN-GHJL-200-EN 1561 | 1    | 849-2 | BALL BEARING       | -                                | 1    |
| 244 | STRAINER         | EN 1.4301 (AISI304)              | 1    | 876   | PROTECTOR          | -                                | 1    |
| 801 | ROTOR            | -                                | 1    | 890   | HANDLE             | Stainless steel                  | 1    |
| 802 | STATOR           | -                                | 1    | 908   | SPACER             | Steel                            | 1    |

65DS (1.5kW)

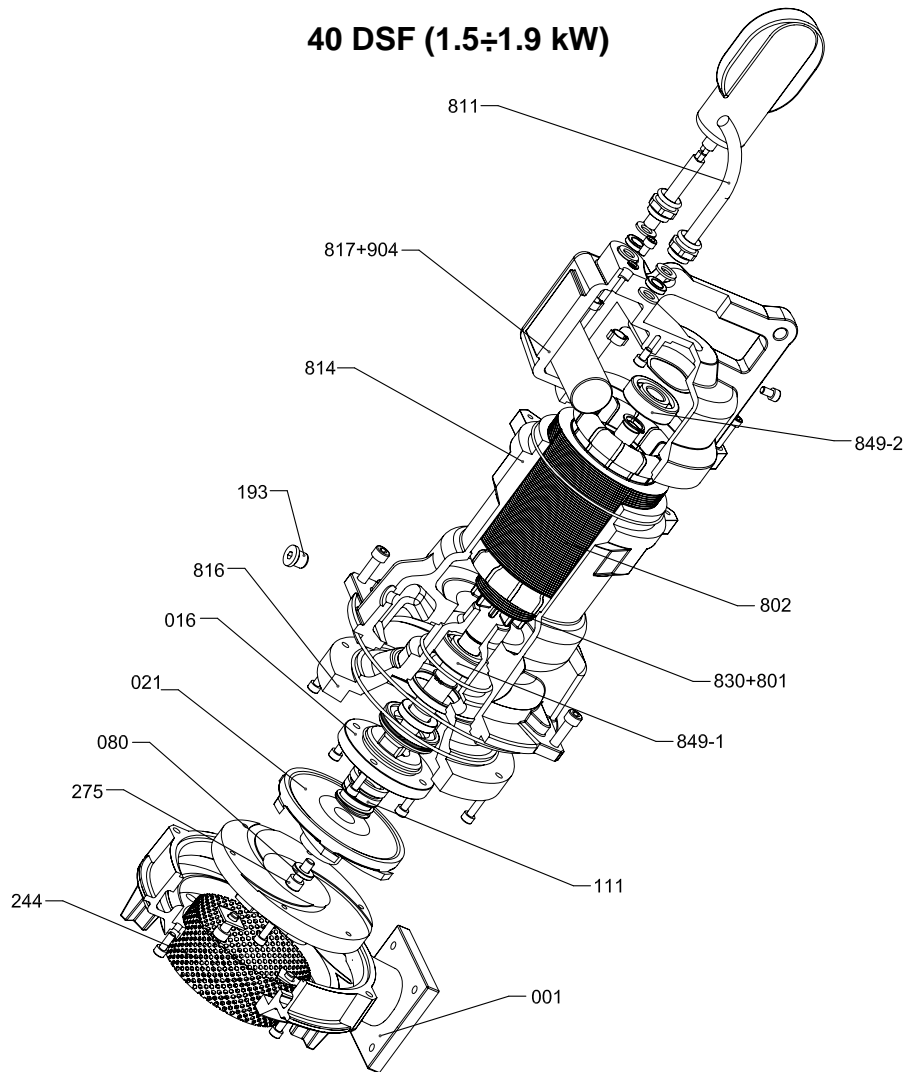


| N°  | PART. NAME      | MATERIAL                         | Q.TY | N°    | PART. NAME         | MATERIAL                         | Q.TY |
|-----|-----------------|----------------------------------|------|-------|--------------------|----------------------------------|------|
| 001 | CASING          | Cast iron<br>EN-GHJL-200-EN 1561 | 1    | 811   | SUBMERSIBLE CABLE  | -                                | 1    |
| 012 | SUCTION COVER   | EN 1.4301 (AISI304)              | 1    | 814   | MOTOR FRAME        | Cast iron<br>EN-GHJL-200-EN 1561 | 1    |
| 021 | IMPELLER        | Cast iron<br>EN-GHJL-200-EN 1561 | 1    | 816   | POWER SIDE BRACKET | Cast iron<br>EN-GHJL-200-EN 1561 | 1    |
| 048 | IMPELLER NUT    | Brass                            | 1    | 830   | SHAFT              | EN 1.4006 (AISI403)              | 1    |
| 111 | MECHANICAL SEAL | -                                | 1    | 842   | MOTOR COVER        | Cast iron<br>EN-GHJL-200-EN 1561 | 1    |
| 174 | DISCHARGE BEND  | Cast iron<br>EN-GHJL-200-EN 1561 | 1    | 849-1 | BALL BEARING       | -                                | 1    |
| 193 | OIL PLUG        | NBR/EN 1.4301<br>(AISI304)       | 1    | 849-2 | BALL BEARING       | -                                | 1    |
| 244 | STRAINER        | EN 1.4301 (AISI304)              | 1    | 876   | PROTECTOR          | -                                | 1    |
| 801 | ROTOR           | -                                | 1    | 904   | LIFTING HANGER     | Stainless steel                  | 1    |
| 802 | STATOR          | -                                | 1    | 908   | SPACER             | Steel                            | 1    |

50(80)DS (2.2÷3.7 kW)  
100DS (5.5÷7.5 kW)

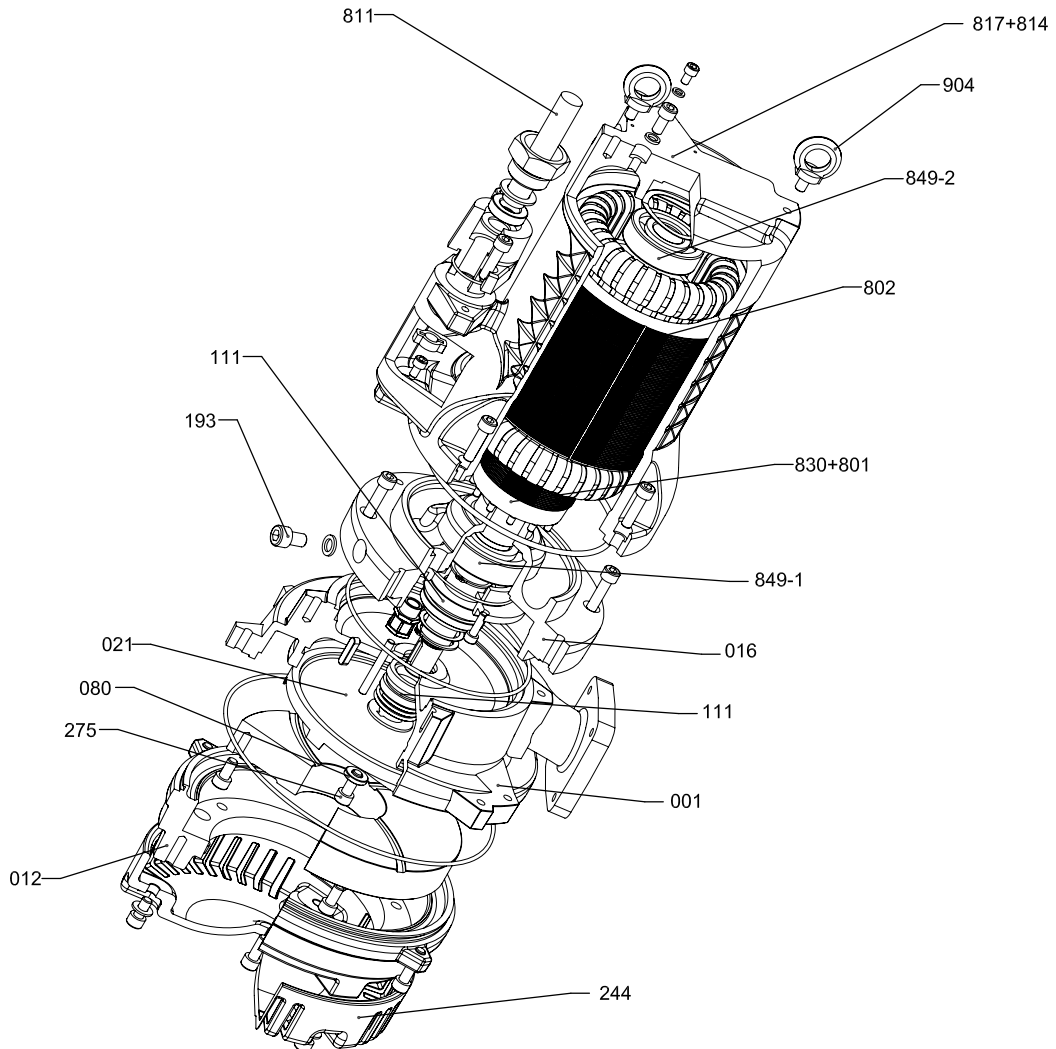


| N°  | PART. NAME            | MATERIAL                         | Q.TY | N°    | PART. NAME         | MATERIAL                         | Q.TY |
|-----|-----------------------|----------------------------------|------|-------|--------------------|----------------------------------|------|
| 001 | CASING                | Cast iron<br>EN-GHJL-200-EN 1561 | 1    | 801   | ROTOR              | -                                | 1    |
| 012 | SUCTION COVER         | Cast iron<br>EN-GHJL-200-EN 1561 | 1    | 802   | STATOR             | -                                | 1    |
| 016 | MECHANICAL SEAL COVER | Cast iron<br>EN-GHJL-200-EN 1561 | 1    | 811   | SUBMERSIBLE CABLE  | -                                | 1    |
| 021 | IMPELLER              | Cast iron<br>EN-GHJL-200-EN 1561 | 1    | 814   | MOTOR FRAME        | Cast iron<br>EN-GHJL-200-EN 1561 | 1    |
| 080 | BUSHING               | EN 1.4301 (AISI304)              | 1    | 816   | POWER SIDE BRACKET | Cast iron<br>EN-GHJL-200-EN 1561 | 1    |
| 107 | CASING RING           | Brass                            | 1    | 817   | MOTOR COVER        | Cast iron<br>EN-GHJL-200-EN 1561 | 1    |
| 111 | MECHANICAL SEAL       | -                                | 1    | 830   | SHAFT              | EN 1.4006 (AISI403)              | 1    |
| 174 | DISCHARGE BEND        | Cast iron<br>EN-GHJL-200-EN 1561 | 1    | 849-1 | BALL BEARING       | -                                | 1    |
| 193 | OIL PLUG              | NBR/EN 1.4301 (AISI304)          | 1    | 849-2 | BALL BEARING       | -                                | 1    |
| 244 | STRAINER              | EN 1.4301 (AISI304)              | 1    | 876   | PROTECTOR          | -                                | 1    |
| 275 | IMPELLER BOLT         | EN 1.4301 (AISI304)              | 1    | 904   | LIFTING HANGER     | Stainless steel                  | 1    |
| 277 | V-RING                | -                                | 1    |       |                    |                                  |      |



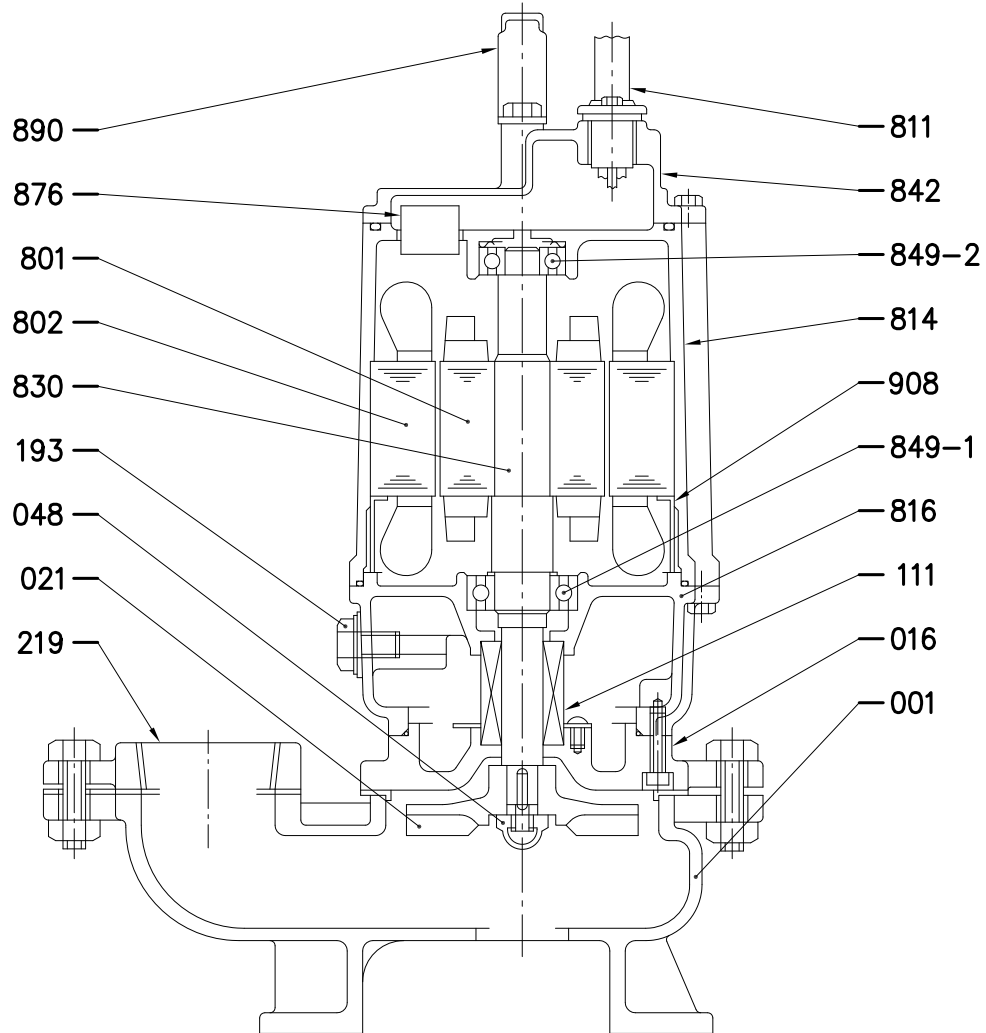
| N°    | PART NAME             | MATERIAL                      | Q.TY |
|-------|-----------------------|-------------------------------|------|
| 001   | CASING                | CAST IRON EN-GJL-250          | 1    |
| 016   | MECHANICAL SEAL COVER | CAST IRON EN-GJL-250          | 1    |
| 021   | IMPELLER              | DUCTILE IRON GS400 UNI-EN1563 | 1    |
| 080   | BUSHING               | STEEL                         | 1    |
| 111   | MECHANICAL SEAL       | -                             | 1    |
| 193   | OIL PLUG              | NBR / STAINLESS STEEL         | 1    |
| 244   | STRAINER              | AISI 316L                     | 1    |
| 275   | IMPELLER BOLT         | CLASS A2 AISI 304             | 1    |
| 801   | ROTOR                 | -                             | 1    |
| 802   | STATOR                | -                             | 1    |
| 811   | SUBMERSIBLE CABLE     | -                             | 1    |
| 814   | MOTOR FRAME           | GHISA EN-GJL-250              | 1    |
| 816   | POWER SIDE BRACKET    | GHISA EN-GJL-250              | 1    |
| 817   | OPPOSITE SIDE BRACKET | GHISA EN-GJL-250              | 1    |
| 830   | SHAFT                 | AISI 420B                     | 1    |
| 849-1 | BALL BEARING          | -                             | 1    |
| 849-2 | BALL BEARING          | -                             | 1    |
| 904   | LIFTING HANGER        | CAST IRON EN-GJL-250          | 1    |

**40 DSF (6.0 kW)**



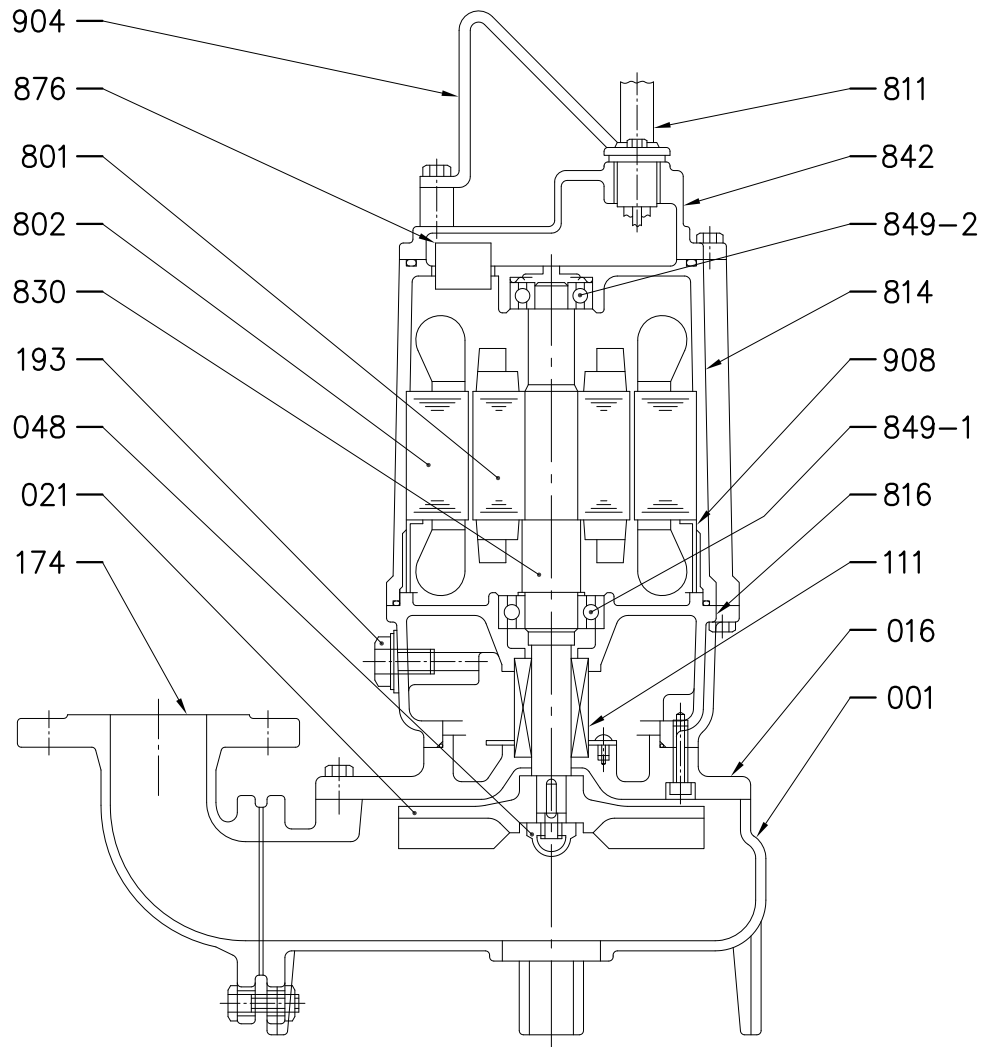
| N°    | PART NAME             | MATERIAL                      | Q.TY |
|-------|-----------------------|-------------------------------|------|
| 001   | CASING                | CAST IRON EN-GJL-250          | 1    |
| 012   | SUCTION COVER         | CAST IRON EN-GJL-250          | 1    |
| 016   | MECHANICAL SEAL COVER | CAST IRON EN-GJL-250          | 1    |
| 021   | IMPELLER              | DUCTILE IRON GS400 UNI-EN1563 | 1    |
| 080   | BUSHING               | STEEL                         | 1    |
| 111   | MECHANICAL SEAL       | -                             | 2    |
| 193   | OIL PLUG              | NBR / STAINLESS STEEL         | 1    |
| 244   | STRAINER              | AISI 316L                     | 1    |
| 275   | IMPELLER BOLT         | CLASS A2 AISI 304             | 1    |
| 801   | ROTOR                 | -                             | 1    |
| 802   | STATOR                | -                             | 1    |
| 811   | SUBMERSIBLE CABLE     | -                             | 1    |
| 814   | MOTOR FRAME           | CAST IRON EN-GJL-250          | 1    |
| 817   | OPPOSITE SIDE BRACKET | CAST IRON EN-GJL-250          | 1    |
| 830   | SHAFT                 | AISI 420B                     | 1    |
| 849-1 | BALL BEARING          | -                             | 1    |
| 849-2 | BALL BEARING          | -                             | 1    |
| 904   | LIFTING HANGER        | STEEL                         | 2    |

50DVS (1.5kW)



| N°  | PART. NAME            | MATERIAL                         | Q.TY | N°    | PART. NAME         | MATERIAL                         | Q.TY |
|-----|-----------------------|----------------------------------|------|-------|--------------------|----------------------------------|------|
| 001 | CASING                | Cast iron<br>EN-GHJL-200-EN 1561 | 1    | 814   | MOTOR FRAME        | Cast iron<br>EN-GHJL-200-EN 1561 | 1    |
| 016 | MECHANICAL SEAL COVER | Cast iron<br>EN-GHJL-200-EN 1561 | 1    | 816   | POWER SIDE BRACKET | Cast iron<br>EN-GHJL-200-EN 1561 | 1    |
| 021 | IMPELLER              | Cast iron<br>EN-GHJL-200-EN 1561 | 1    | 830   | SHAFT              | EN 1.4006 (AISI403)              | 1    |
| 048 | IMPELLER NUT          | Brass                            | 1    | 842   | MOTOR COVER        | Cast iron<br>EN-GHJL-200-EN 1561 | 1    |
| 111 | MECHANICAL SEAL       | -                                | 1    | 849-1 | BALL BEARING       | -                                | 1    |
| 193 | OIL PLUG              | NBR/EN 1.4301<br>(AISI304)       | 1    | 849-2 | BALL BEARING       | -                                | 1    |
| 219 | COMPANION FLANGE      | Cast iron<br>EN-GHJL-200-EN 1561 | 1    | 876   | PROTECTOR          | -                                | 1    |
| 801 | ROTOR                 | -                                | 1    | 890   | HANDLE             | Stainless Steel                  | 1    |
| 802 | STATOR                | -                                | 1    | 908   | SPACER             | Steel                            | 1    |
| 811 | SUBMERSIBLE CABLE     | -                                | 1    |       |                    |                                  |      |

**65(80)DVS (1.5kW)**

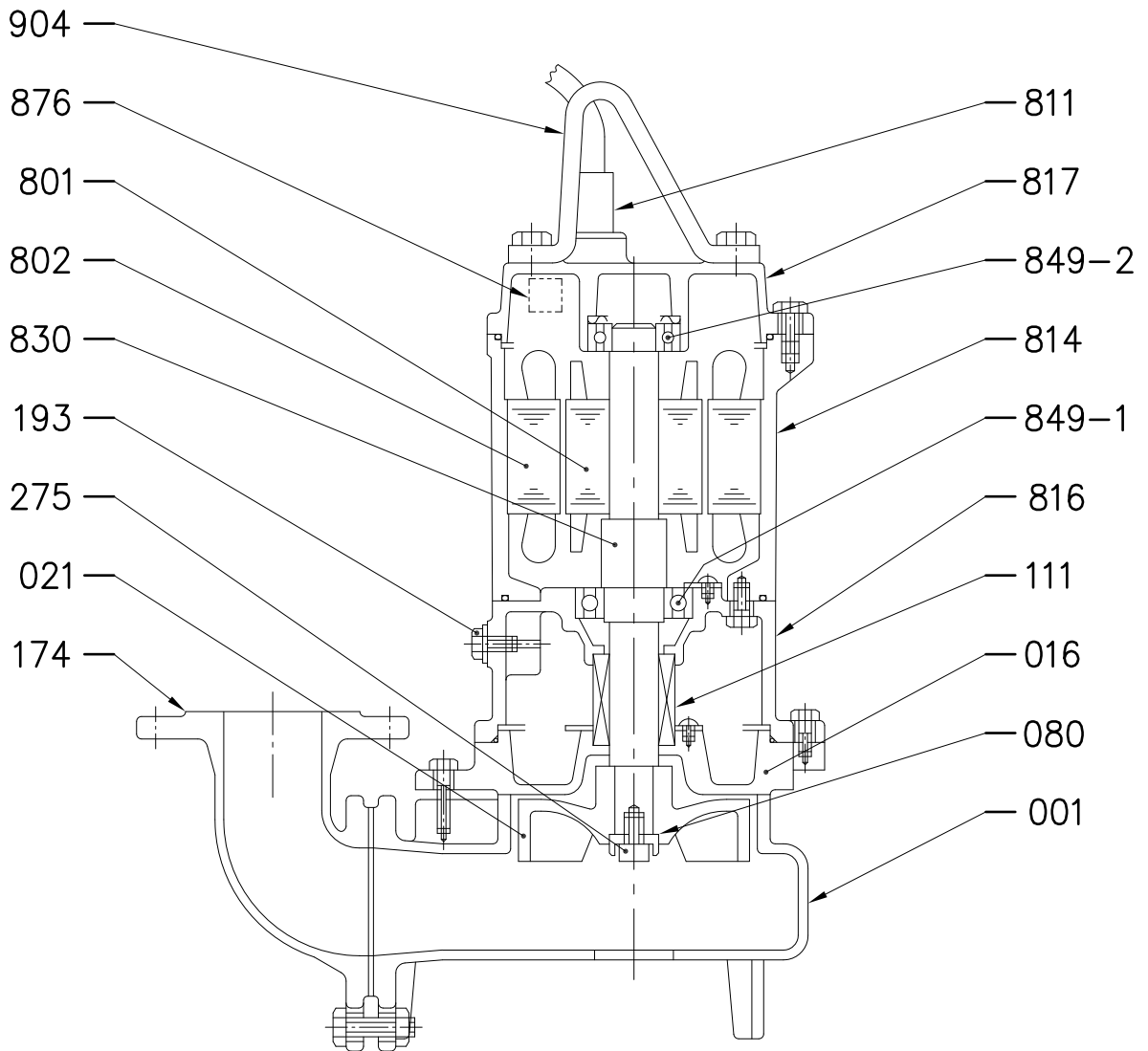


| POS. | PART. NAME            | MATERIAL                         | N° FOR UNIT |
|------|-----------------------|----------------------------------|-------------|
| 001  | CASING                | Cast iron<br>EN-GHJL-200-EN 1561 | 1           |
| 016  | MECHANICAL SEAL COVER | Cast iron<br>EN-GHJL-200-EN 1561 | 1           |
| 021  | IMPELLER              | Cast iron<br>EN-GHJL-200-EN 1561 | 1           |
| 048  | IMPELLER NUT          | EN 1.4301 (AISI304)              | 1           |
| 111  | MECHANICAL SEAL       | -                                | 1           |
| 174  | DISCHARGE BEND        | Cast iron<br>EN-GHJL-200-EN 1561 | 1           |
| 193  | OIL PLUG              | NBR/EN 1.4301<br>(AISI304)       | 1           |
| 801  | ROTOR                 | -                                | 1           |
| 802  | STATOR                | -                                | 1           |
| 811  | SUBMERSIBLE CABLE     | -                                | 1           |

| POS.  | PART. NAME         | MATERIAL                         | N° FOR UNIT |
|-------|--------------------|----------------------------------|-------------|
| 814   | MOTOR FRAME        | Cast iron<br>EN-GHJL-200-EN 1561 | 1           |
| 816   | POWER SIDE BRACKET | Cast iron<br>EN-GHJL-200-EN 1561 | 1           |
| 830   | SHAFT              | EN 1.4006 (AISI403)              | 1           |
| 842   | MOTOR COVER        | Cast iron<br>EN-GHJL-200-EN 1561 | 1           |
| 849-1 | BALL BEARING       | -                                | 1           |
| 849-2 | BALL BEARING       | -                                | 1           |
| 876   | PROTECTOR          | -                                | 1           |
| 904   | LIFTING HANGER     | Stainless Steel                  | 1           |
| 908   | SPACER             | Steel                            |             |



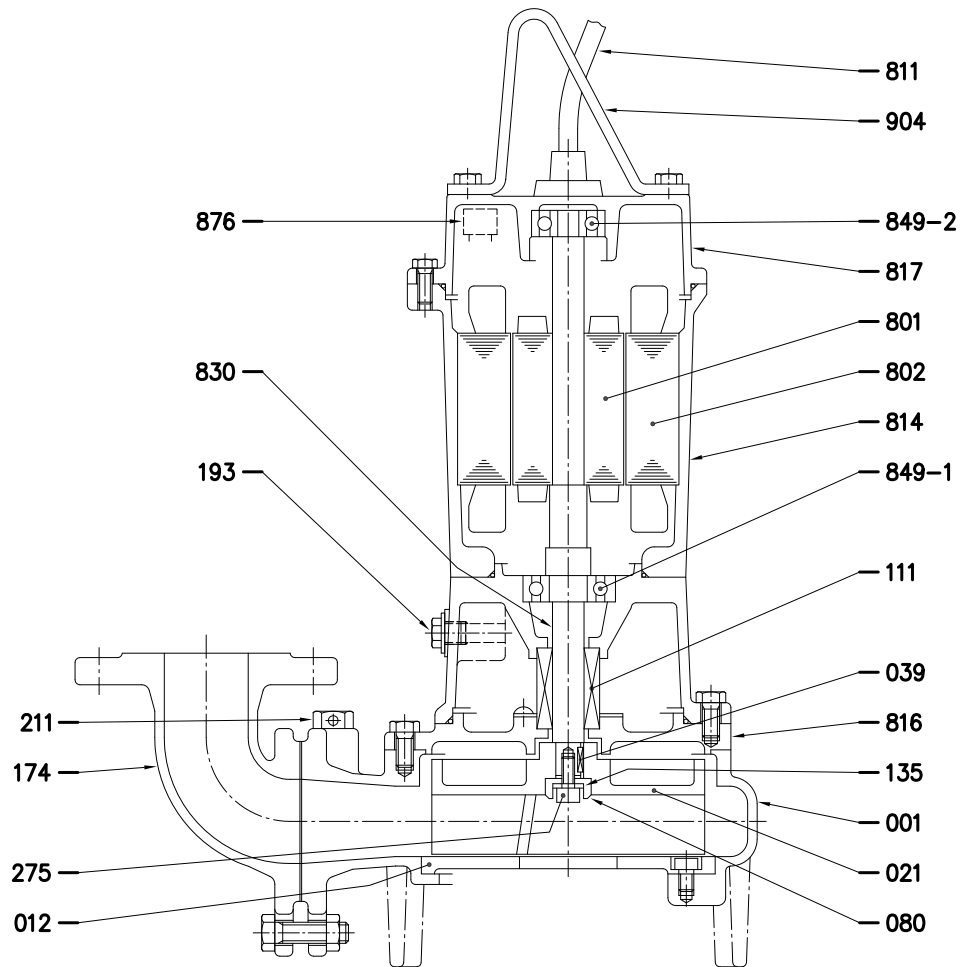
**65(80)DVS (2.2÷3.7 kW)**



| POS. | PART. NAME            | MATERIAL                         | N° FOR UNIT |
|------|-----------------------|----------------------------------|-------------|
| 001  | CASING                | Cast iron<br>EN-GHJL-200-EN 1561 | 1           |
| 016  | MECHANICAL SEAL COVER | Cast iron<br>EN-GHJL-200-EN 1561 | 1           |
| 021  | IMPELLER              | Cast iron<br>EN-GHJL-200-EN 1561 | 1           |
| 080  | BUSHING               | EN 1.4301 (AISI304)              | 1           |
| 111  | MECHANICAL SEAL       | -                                | 1           |
| 174  | DISCHARGE BEND        | Cast iron<br>EN-GHJL-200-EN 1561 | 1           |
| 193  | OIL PLUG              | NBR/EN 1.4301<br>(AISI304)       | 1           |
| 275  | IMPELLER BOLT         | EN 1.4301 (AISI304)              | 1           |
| 801  | ROTOR                 | -                                | 1           |
| 802  | STATOR                | -                                | 1           |

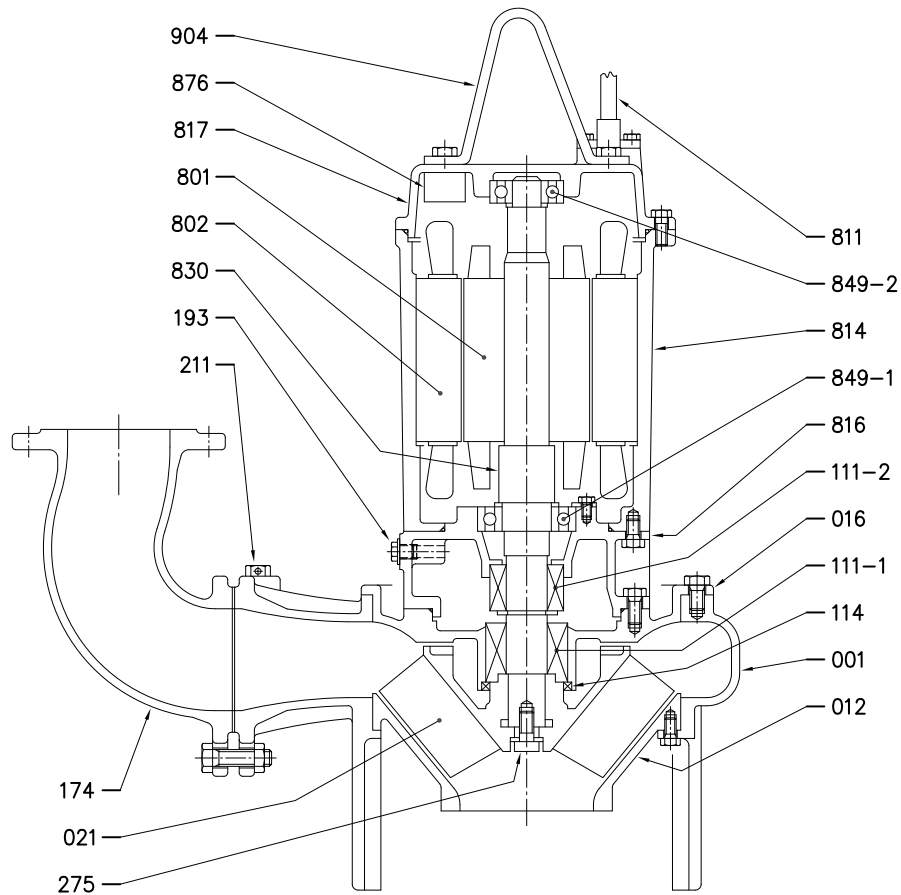
| POS.  | PART. NAME            | MATERIAL                         | N° FOR UNIT |
|-------|-----------------------|----------------------------------|-------------|
| 811   | SUBMERSIBLE CABLE     | -                                | 1           |
| 814   | MOTOR FRAME           | Cast iron<br>EN-GHJL-200-EN 1561 | 1           |
| 816   | POWER SIDE BRACKET    | Cast iron<br>EN-GHJL-200-EN 1561 | 1           |
| 817   | OPPOSITE SIDE BRACKET | Cast iron<br>EN-GHJL-200-EN 1561 | 1           |
| 830   | SHAFT                 | EN 1.4006 (AISI403)              | 1           |
| 849-1 | BALL BEARING          | -                                | 1           |
| 849-2 | BALL BEARING          | -                                | 1           |
| 876   | PROTECTOR             | -                                | 1           |
| 904   | LIFTING HANGER        | Stainless Steel                  | 1           |

65DL, 65DL W/C (1.5 kW)  
 80DL, 80DL W/C (1.5÷3.7 kW)  
 100DL, 100DL W/C (3.7 kW)



| POS. | PART. NAME      | MATERIAL                         | N° FOR UNIT | POS.  | PART. NAME            | MATERIAL                         | N° FOR UNIT |
|------|-----------------|----------------------------------|-------------|-------|-----------------------|----------------------------------|-------------|
| 001  | CASING          | Cast iron<br>EN-GHJL-200-EN 1561 | 1           | 801   | ROTOR                 | -                                | 1           |
| 012  | SUCTION COVER   | Cast iron<br>EN-GHJL-200-EN 1561 | 1           | 802   | STATOR                | -                                | 1           |
| 021  | IMPELLER        | Cast iron<br>EN-GHJL-200-EN 1561 | 1           | 811   | SUBMERSIBLE CABLE     | -                                | 1           |
| 039  | KEY             | EN 1.4028 (AISI420)              | 1           | 814   | MOTOR FRAME           | Cast iron<br>EN-GHJL-200-EN 1561 | 1           |
| 080  | BUSHING         | EN 1.4301 (AISI304)              | 1           | 816   | POWER SIDE BRACKET    | Cast iron<br>EN-GHJL-200-EN 1561 | 1           |
| 111  | MECHANICAL SEAL | -                                | 1           | 817   | OPPOSITE SIDE BRACKET | Cast iron<br>EN-GHJL-200-EN 1561 | 1           |
| 135  | SEAL WASHER     | EN 1.4301 (AISI304)              | 1           | 830   | SHAFT                 | EN 1.4006 (AISI403)              | 1           |
| 174  | DISCHARGE BEND  | Cast iron<br>EN-GHJL-200-EN 1561 | 1           | 876   | PROTECTOR             | -                                | 1           |
| 193  | Oil Plug        | NBR/EN 1.4301 (AISI304)          | 1           | 849-1 | BALL BEARING          | -                                | 1           |
| 211  | AIRVENT VALVE   | -                                | 1           | 849-2 | BALL BEARING          | -                                | 1           |
| 275  | IMPELLER BOLT   | EN 1.4301 (AISI304)              | 1           | 904   | LIFTING HANGER        | Stainless Steel                  | 1           |

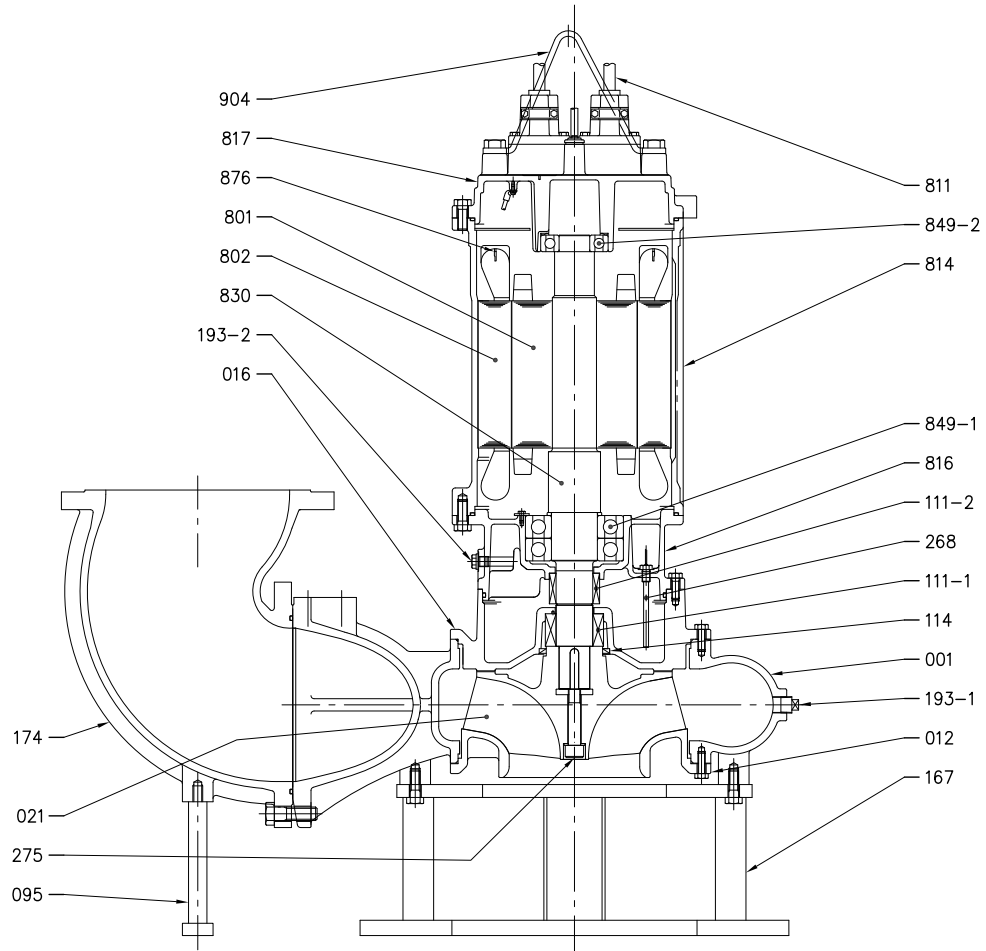
**80DL (5.5÷7.5 kW)**  
**100DL (5.5÷18.5 kW), 100DL W/C (5.5÷7.5 kW)**  
**150DL (5.5÷22 kW), 200DL (5.5÷22 kW)**  
**250DL (7.5÷22 kW), 300DL (11÷22 kW)**



| POS.  | PART. NAME            | MATERIAL                         | N° FOR UNIT | POS.  | PART. NAME            | MATERIAL                         | N° FOR UNIT |
|-------|-----------------------|----------------------------------|-------------|-------|-----------------------|----------------------------------|-------------|
| 001   | CASING                | Cast iron<br>EN-GHJL-200-EN 1561 | 1           | 801   | ROTOR                 | -                                | 1           |
| 012   | SUCTION COVER         | Cast iron<br>EN-GHJL-200-EN 1561 | 1           | 802   | STATOR                | -                                | 1           |
| 016   | MECHANICAL SEAL COVER | Cast iron<br>EN-GHJL-200-EN 1561 | 1           | 811   | SUBMERSIBLE CABLE     | -                                | 1           |
| 021   | IMPELLER              | Cast iron<br>EN-GHJL-200-EN 1561 | 1           | 814   | MOTOR FRAME           | Cast iron<br>EN-GHJL-150-EN 1561 | 1           |
| 111-1 | MECHANICAL SEAL       | -                                | 1           | 816   | POWER SIDE BRACKET    | Cast iron<br>EN-GHJL-150-EN 1561 | 1           |
| 111-2 | MECHANICAL SEAL       | -                                | 1           | 817   | OPPOSITE SIDE BRACKET | Cast iron<br>EN-GHJL-150-EN 1561 | 1           |
| 114   | OIL SEAL              | NBR                              | 1           | 830   | SHAFT                 | EN 1.4006 (AISI403)              | 1           |
| 174   | DISCHARGE BEND        | Cast iron<br>EN-GHJL-200-EN 1561 | 1           | 849-1 | BALL BEARING          | -                                | 1           |
| 193   | OIL PLUG              | NBR/EN 1.4301<br>(AISI304)       | 1           | 849-2 | BALL BEARING          | -                                | 1           |
| 211   | AIRVENT VALVE [1]     | -                                | 1           | 876   | PROTECTOR             | -                                | 1           |
| 275   | IMPELLER BOLT         | EN 1.4301 (AISI304)              | 1           | 904   | LIFTING HANGER        | Stainless Steel                  | 1           |

[1] Not for 250DL and 300DL

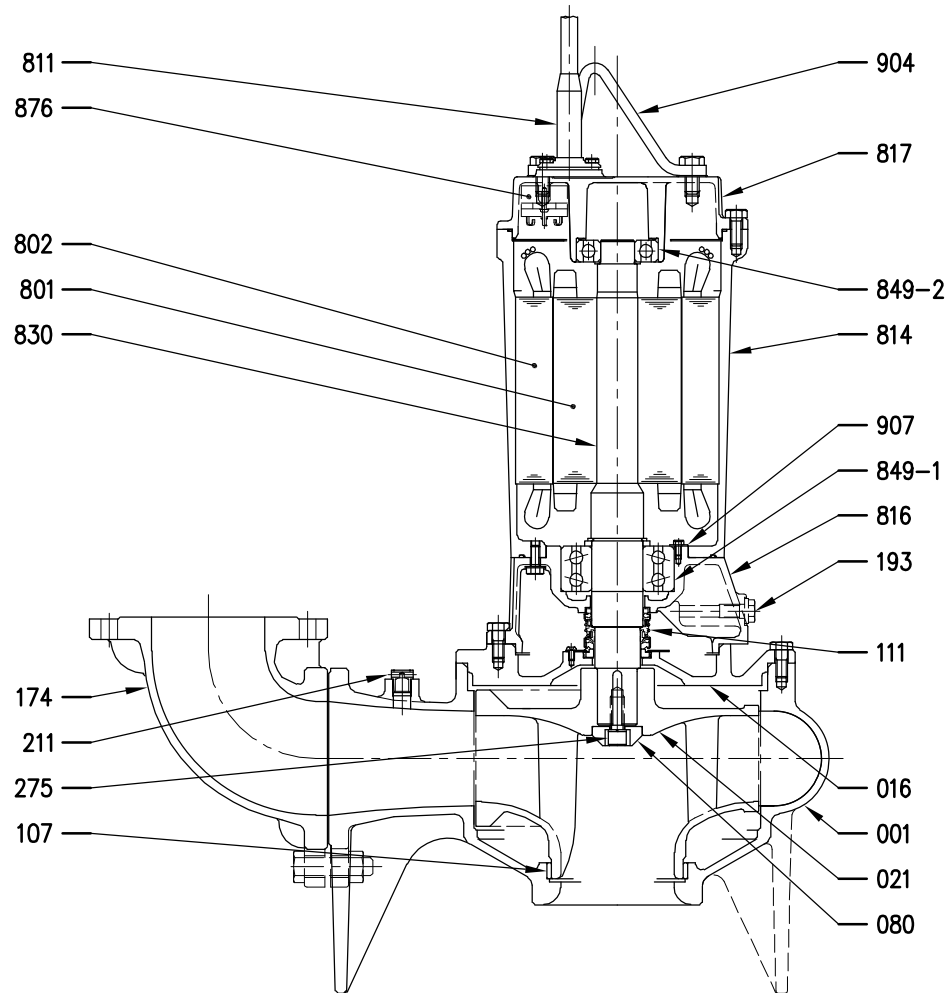
150DL (30÷45 kW), 200DL (30÷45 kW)  
250DL (30÷45 kW), 300 DL(30÷45 kW)



| POS.  | PART. NAME            | MATERIAL                         | N° FOR UNIT | POS.  | PART. NAME            | MATERIAL                         | N° FOR UNIT |
|-------|-----------------------|----------------------------------|-------------|-------|-----------------------|----------------------------------|-------------|
| 001   | CASING                | Cast iron<br>EN-GHJL-200-EN 1561 | 1           | 275   | IMPELLER BOLT         | EN 1.4301 (AISI304)              | 1           |
| 012   | SUCTION COVER         | Cast iron<br>EN-GHJL-200-EN 1561 | 1           | 801   | ROTOR                 | -                                | 1           |
| 016   | MECHANICAL SEAL COVER | Cast iron<br>EN-GHJL-200-EN 1561 | 1           | 802   | STATOR                | -                                | 1           |
| 021   | IMPELLER              | Cast iron<br>EN-GHJL-200-EN 1561 | 1           | 811   | SUBMERSIBLE CABLE     | -                                | 1           |
| 095   | STAY [1]              | EN 1.4301 (AISI304)              |             | 814   | MOTOR FRAME           | Cast iron<br>EN-GHJL-150-EN 1561 | 1           |
| 111-1 | MECHANICAL SEAL       | -                                | 1           | 816   | POWER SIDE BRACKET    | Cast iron<br>EN-GHJL-150-EN 1561 | 1           |
| 111-2 | MECHANICAL SEAL       | -                                | 1           | 817   | OPPOSITE SIDE BRACKET | Cast iron<br>EN-GHJL-150-EN 1561 | 1           |
| 114   | OIL SEAL              | NBR                              | 1           | 830   | SHAFT                 | EN 1.4006 (AISI403)              | 1           |
| 174   | DISCHARGE BEND        | Cast iron<br>EN-GHJL-200-EN 1561 | 1           | 849-1 | BALL BEARING          | -                                | 1           |
| 193-2 | OIL PLUG + GASKET     | NBR/EN 1.4301<br>(AISI304)       | 1           | 849-2 | BALL BEARING          | -                                | 1           |
| 193-2 | PLUG                  | EN 1.4301 (AISI304)              | 1           | 876   | PROTECTOR             | -                                | 1           |
| 211   | AIRVENT VALVE [2]     | -                                | 1           | 904   | LIFTING HANGER        | Stainless Steel                  | 1           |

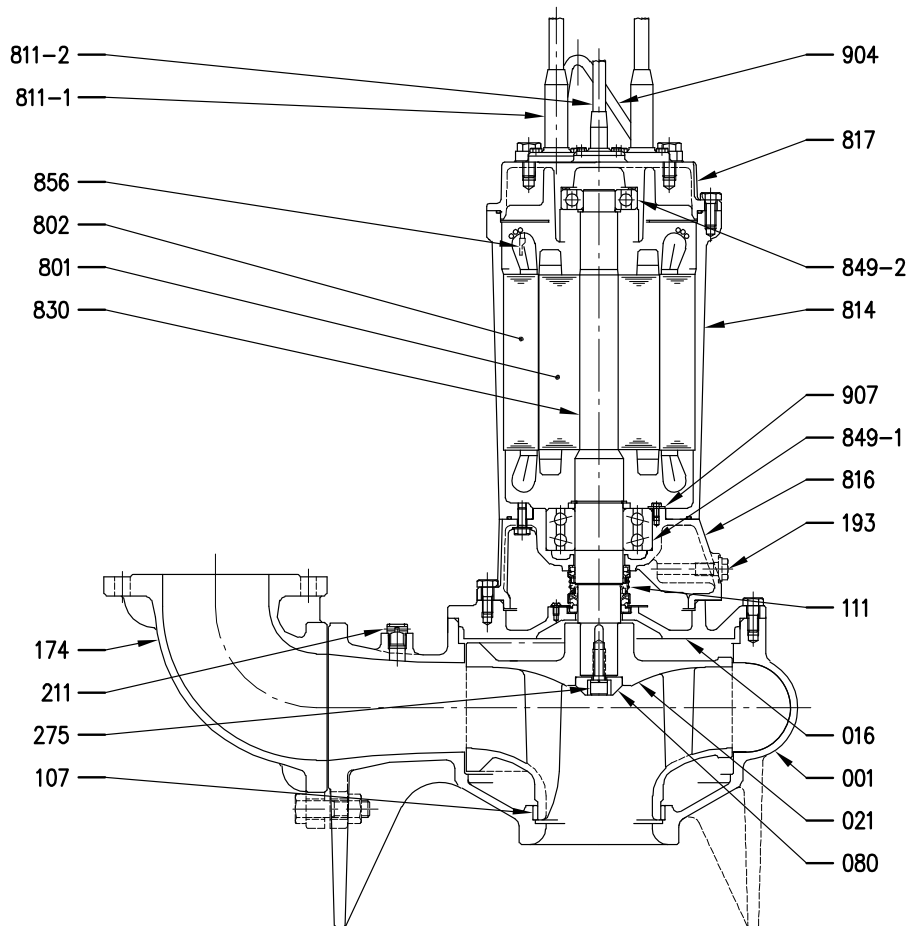
[1] Not for 150DL and 200DL  
[2] Not for 250DL and 300DL

**80DML (2.2 kW)**



| N°  | PART.NAME             | MATERIAL                                  | Q.TY  | N°    | PART.NAME             | MATERIAL                           | Q.TY |
|-----|-----------------------|---|-------|-------|-----------------------|------------------------------------|------|
| 001 | Pump Casing           | Cast iron<br>EN-GHJL-200 - EN 1561        | 1     | 802   | Stator                | -                                  | 1    |
| 016 | Mechanical Seal Cover | Cast iron<br>EN-GHJL-200 - EN 1561        | 1     | 811   | Submersible Cable     | -                                  | 2    |
| 021 | Impeller              | Cast iron<br>EN-GHJL-200 - EN 1561        | 1     | 814   | Motor Frame           | Cast iron<br>EN-GHJL-200 - EN 1561 | 1    |
| 080 | Bushing               | Steel                                     | 1     | 816   | Power Side Bracket    | Cast iron<br>EN-GHJL-200 - EN 1561 | 1    |
| 107 | Wearing ring          | Bronze                                    | 1     | 817   | Opposite Side Bracket | Cast iron<br>EN-GHJL-200 - EN 1561 | 1    |
| 111 | Mechanical seal       | -   | 1     | 830   | Shaft                 | EN 1.4006 (AISI403)                | 1    |
| 174 | Discharge Bend        | Cast iron<br>EN-GHJL-200 - EN 1561        | 1     | 849-1 | Ball Bearing          | -                                  | 1    |
| 193 | Oil Plug              | NBR/Stainless Steel                       | 1 set | 849-2 | Ball Bearing          | -                                  | 1    |
| 211 | Airvent Valve         | Brass                                     | 1     | 876   | Auto Cut              | -                                  | 3    |
| 275 | Impeller Bolt         | Stainless steel A2-70<br>class ISO 3506/1 | 1     | 904   | Lifting Hanger        | Steel                              | 1    |
| 801 | Rotor                 | -   | 1     | 907   | Bearing Cover         | Steel                              | 1    |

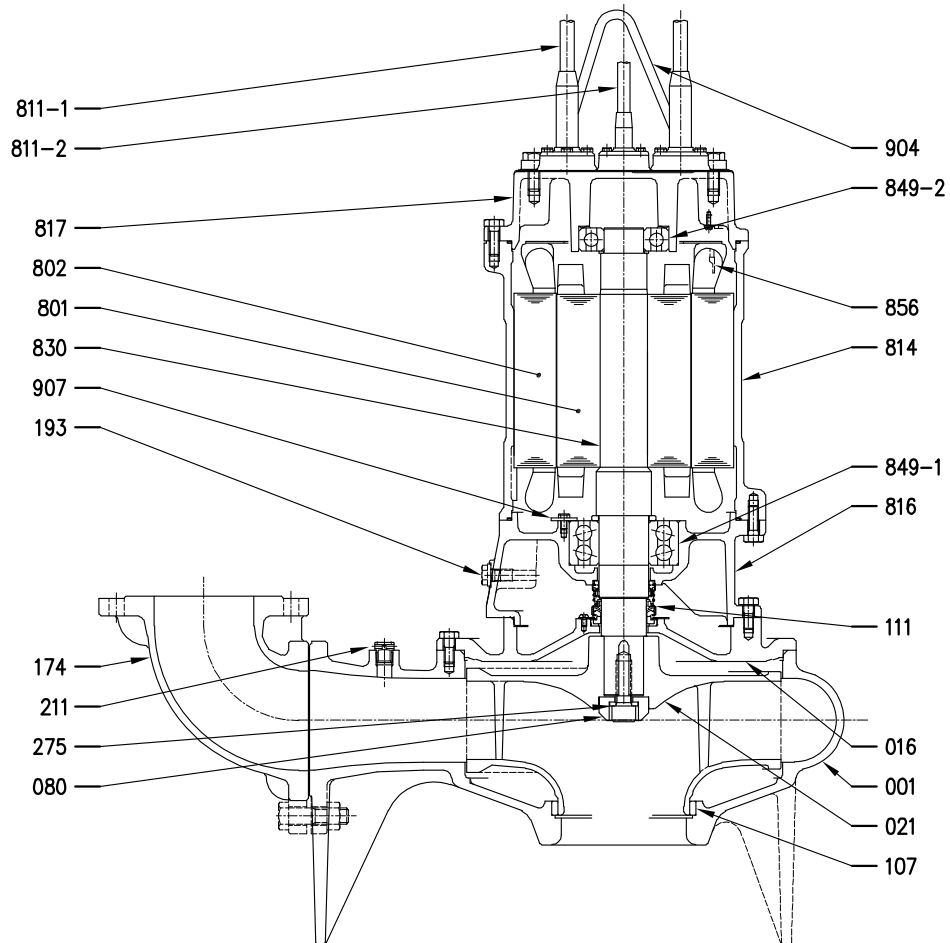
**80DML (3.7 kW)**  
**100DML (3.7÷7.5 kW)**  
**150DML (5.5÷7.5 kW)**



| N°  | PART.NAME             | MATERIAL                                  | Q.TY  |
|-----|-----------------------|---|-------|
| 001 | Pump Casing           | Cast iron<br>EN-GHJL-200 - EN 1561        | 1     |
| 016 | Mechanical Seal Cover | Cast iron<br>EN-GHJL-200 - EN 1561        | 1     |
| 021 | Impeller              | Cast iron<br>EN-GHJL-200 - EN 1561        | 1     |
| 080 | Bushing               | Steel                                     | 1     |
| 107 | Wearing ring          | Bronze                                    | 1     |
| 111 | Mechanical seal       | -   | 1     |
| 174 | Discharge Bend        | Cast iron<br>EN-GHJL-200 - EN 1561        | 1     |
| 193 | Oil Plug              | NBR/Stainless Steel                       | 1 set |
| 211 | Airvent Valve         | Brass                                     | 1     |
| 275 | Impeller Bolt         | Stainless steel A2-70<br>class ISO 3506/1 | 1     |
| 801 | Rotor                 | -   | 1     |
| 802 | Stator                | -   | 1     |

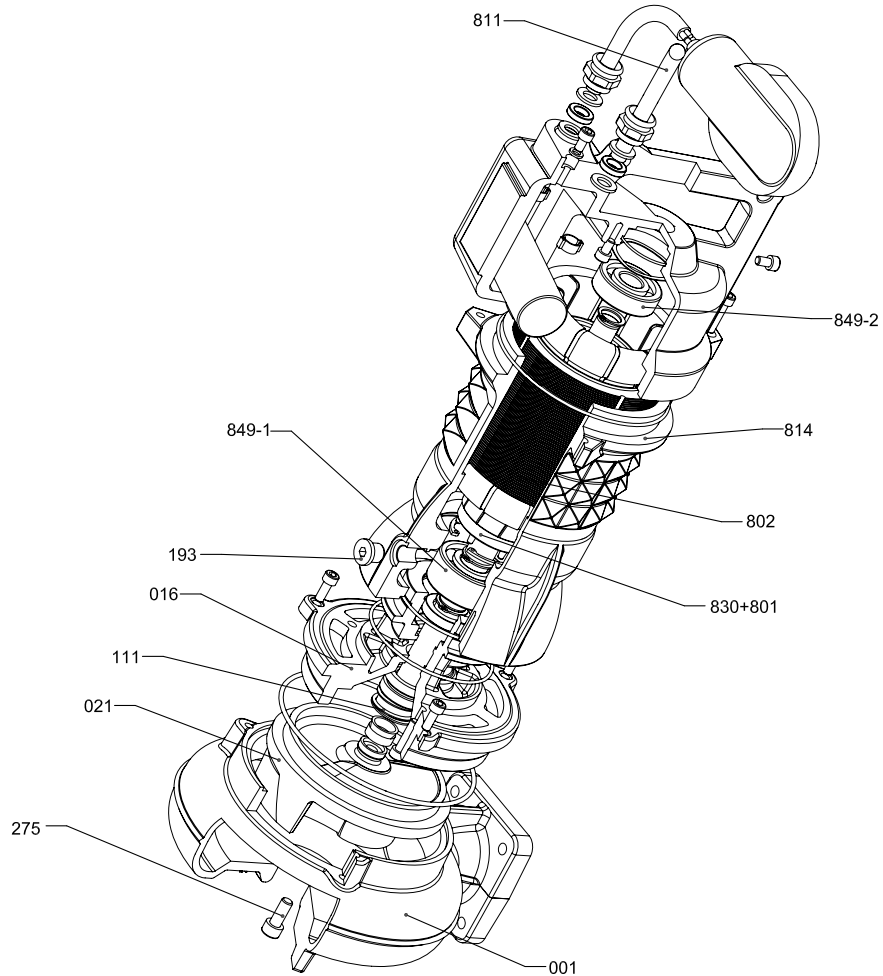
| N°    | PART.NAME                     | MATERIAL                           | Q.TY |
|-------|-------------------------------|------------------------------------|------|
| 811-1 | Submersible Cable<br>(power)  | -                                  | 2    |
| 811-2 | Submersible Cable<br>(signal) | -                                  | 1    |
| 814   | Motor Frame                   | Cast iron<br>EN-GHJL-200 - EN 1561 | 1    |
| 816   | Power Side Bracket            | Cast iron<br>EN-GHJL-200 - EN 1561 | 1    |
| 817   | Opposite Side Bracket         | Cast iron<br>EN-GHJL-200 - EN 1561 | 1    |
| 830   | Shaft                         | EN 1.4006 (AISI403)                | 1    |
| 849-1 | Ball Bearing                  | -                                  | 1    |
| 849-2 | Ball Bearing                  | -                                  | 1    |
| 856   | Thermal Protector             | -                                  | 3    |
| 904   | Lifting Hanger                | Steel                              | 1    |
| 907   | Bearing Cover                 | Steel                              | 1    |

100DML (11÷22 kW)  
150DML (11÷22 kW)



| N°  | PART.NAME             | MATERIAL                                  | Q.TY  | N°    | PART.NAME                     | MATERIAL                           | Q.TY |
|-----|-----------------------|---|-------|-------|-------------------------------|------------------------------------|------|
| 001 | Pump Casing           | Cast iron<br>EN-GHJL-200 - EN 1561        | 1     | 811-1 | Submersible Cable<br>(power)  | -                                  | 2    |
| 016 | Mechanical Seal Cover | Cast iron<br>EN-GHJL-200 - EN 1561        | 1     | 811-2 | Submersible Cable<br>(signal) | -                                  | 1    |
| 021 | Impeller              | Cast iron<br>EN-GHJL-200 - EN 1561        | 1     | 814   | Motor Frame                   | Cast iron<br>EN-GHJL-200 - EN 1561 | 1    |
| 080 | Bushing               | Steel                                     | 1     | 816   | Power Side Bracket            | Cast iron<br>EN-GHJL-200 - EN 1561 | 1    |
| 107 | Wearing ring          | Bronze                                    | 1     | 817   | Opposite Side Bracket         | Cast iron<br>EN-GHJL-200 - EN 1561 | 1    |
| 111 | Mechanical seal       | -   | 1     | 830   | Shaft                         | EN 1.4006 (AISI403)                | 1    |
| 174 | Discharge Bend        | Cast iron<br>EN-GHJL-200 - EN 1561        | 1     | 849-1 | Ball Bearing                  | -                                  | 1    |
| 193 | Oil Plug              | NBR/Stainless Steel                       | 1 set | 849-2 | Ball Bearing                  | -                                  | 1    |
| 211 | Airvent Valve         | Brass                                     | 1     | 856   | Thermal Protector             | -                                  | 3    |
| 275 | Impeller Bolt         | Stainless steel A2-70<br>class ISO 3506/1 | 1     | 904   | Lifting Hanger                | Steel                              | 1    |
| 801 | Rotor                 | -   | 1     | 907   | Bearing Cover                 | Steel                              | 1    |
| 802 | Stator                | -   | 1     |       |                               |                                    |      |

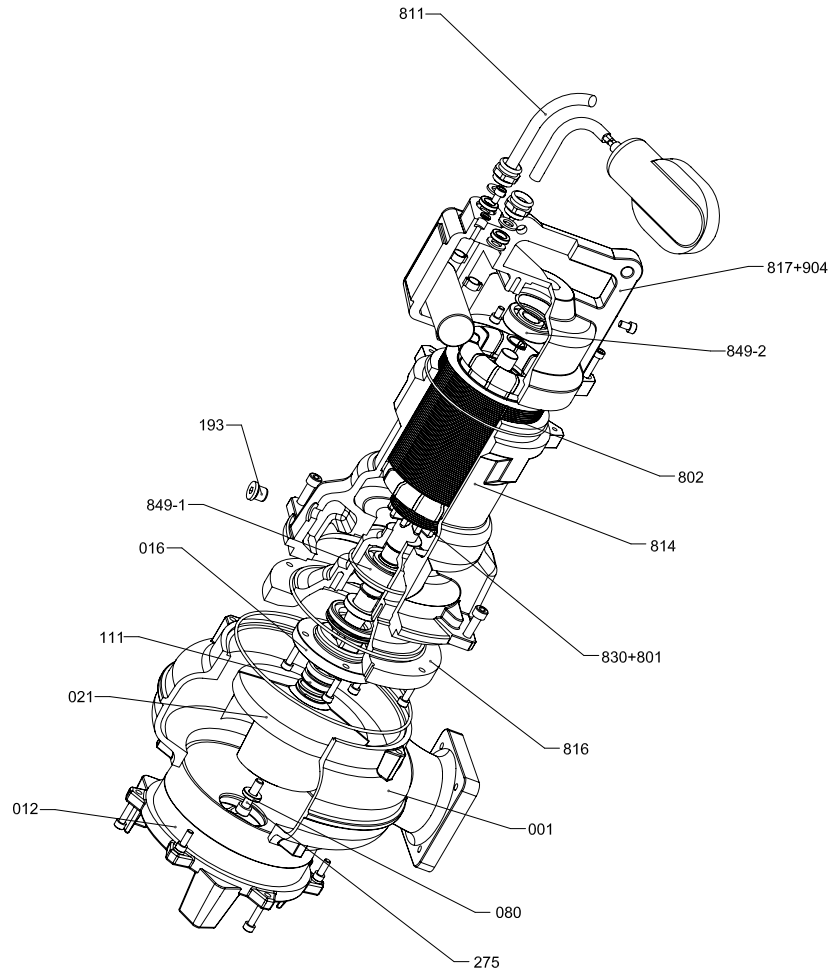
**50 DMLF (1.4 kW)**



| N°    | PART NAME             | MATERIAL                | Q.TY |
|-------|-----------------------|-------------------------|------|
| 001   | CASING                | CAST IRON EN-GJL-250    | 1    |
| 016   | MECHANICAL SEAL COVER | CAST IRON EN-GJL-250    | 1    |
| 021   | IMPELLER              | CAST IRON EN-GJL-250+Ni | 1    |
| 111   | MECHANICAL SEAL       | -                       | 1    |
| 193   | OIL PLUG              | NBR / STAINLESS STEEL   | 1    |
| 275   | IMPELLER BOLT         | CLASS A2 AISI 304       | 1    |
| 801   | ROTOR                 | -                       | 1    |
| 802   | STATOR                | -                       | 1    |
| 811   | SUBMERSIBLE CABLE     | -                       | 1    |
| 814   | MOTOR FRAME           | CAST IRON EN-GJL-250    | 1    |
| 830   | SHAFT                 | AISI 420B               | 1    |
| 849-1 | BALL BEARING          | -                       | 1    |
| 849-2 | BALL BEARING          | -                       | 1    |
| 904   | LIFTING HANGLE        | CAST IRON EN-GJL-250    | 1    |

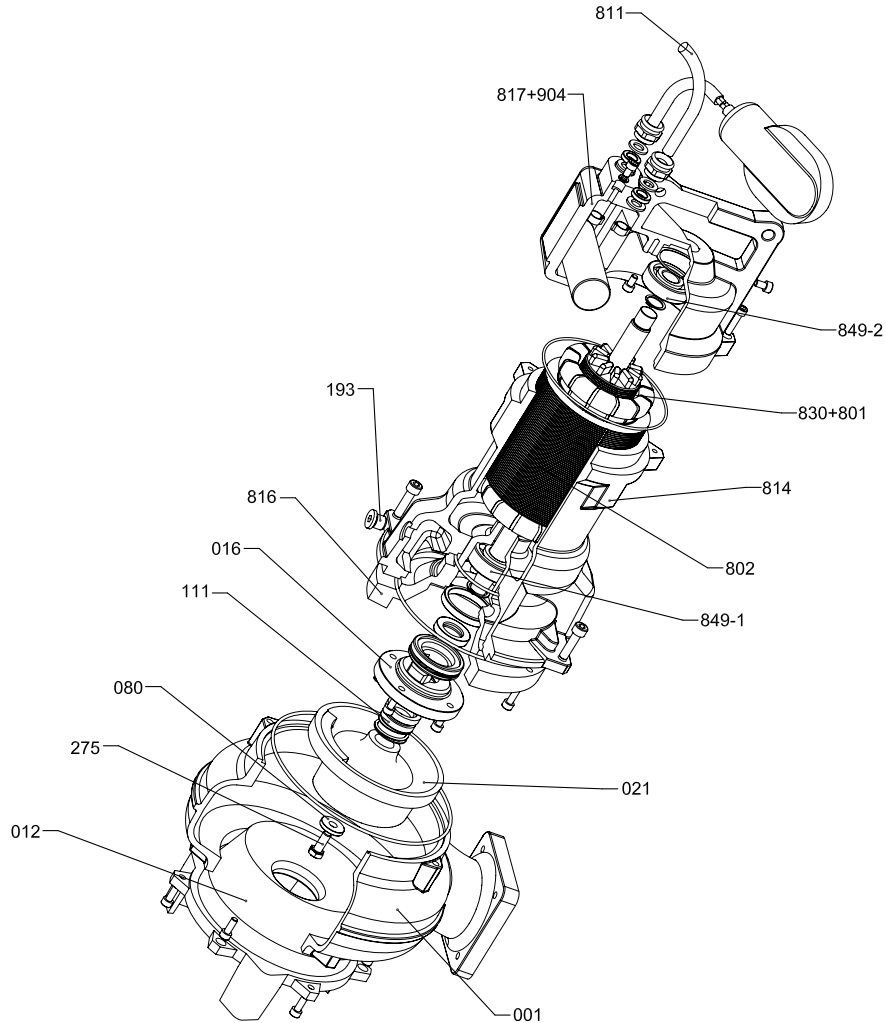


**65 DMLF (1.5 kW)**



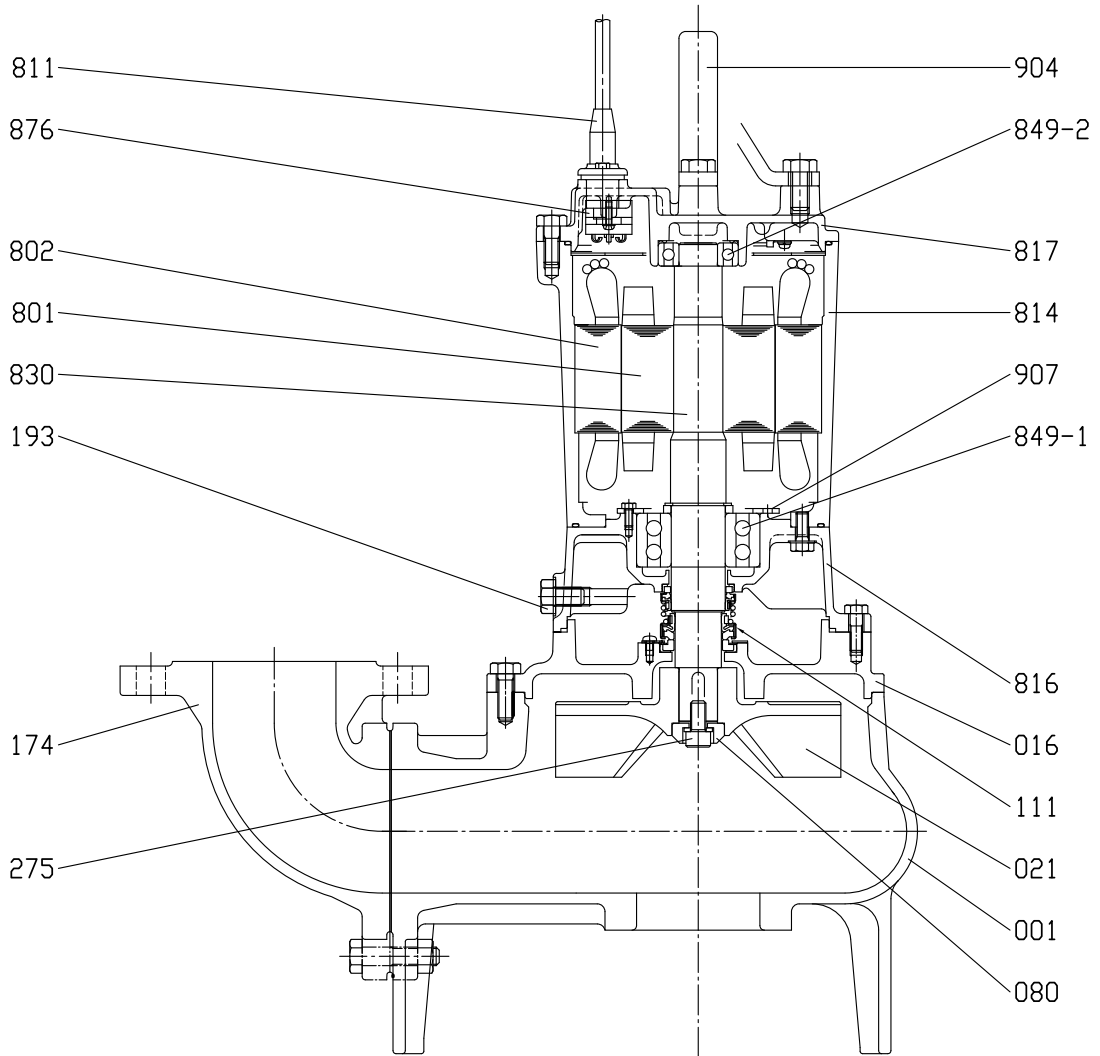
| N°    | PART NAME             | MATERIAL                | Q.TY |
|-------|-----------------------|-------------------------|------|
| 001   | CASING                | CAST IRON EN-GJL-250    | 1    |
| 012   | SUCTION COVER         | CAST IRON EN-GJL-250    | 1    |
| 016   | MECHANICAL SEAL COVER | CAST IRON EN-GJL-250    | 1    |
| 021   | IMPELLER              | CAST IRON EN-GJL-250+Ni | 1    |
| 080   | BUSHING               | STEEL                   | 1    |
| 111   | MECHANICAL SEAL       | -                       | 1    |
| 193   | OIL PLUG              | NBR / STAINLESS STEEL   | 1    |
| 275   | IMPELLER BOLT         | CLASS A2 AISI 304       | 1    |
| 801   | ROTOR                 | -                       | 1    |
| 802   | STATOR                | -                       | 1    |
| 811   | SUBMERSIBLE CABLE     | -                       | 1    |
| 814   | MOTOR FRAME           | CAST IRON EN-GJL-250    | 1    |
| 816   | POWER SIDE BRACKET    | CAST IRON EN-GJL-250    | 1    |
| 817   | OPPOSITE SIDE BRACKET | CAST IRON EN-GJL-250    | 1    |
| 830   | SHAFT                 | AISI 420B               | 1    |
| 849-1 | BALL BEARING          | -                       | 1    |
| 849-2 | BALL BEARING          | -                       | 1    |
| 904   | LIFTING HANGLE        | CAST IRON EN-GJL-250    | 1    |

65 DMLF (1.9 Kw)



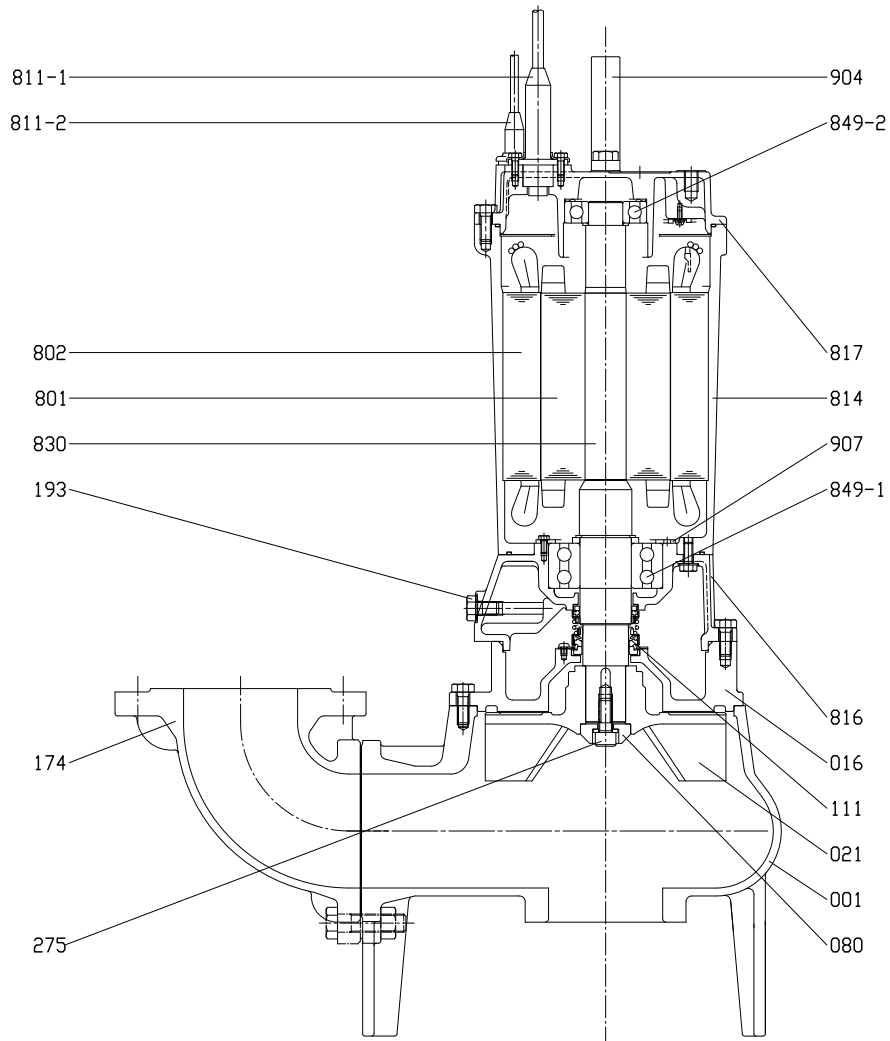
| N°    | PART NAME             | MATERIAL                | Q.TY |
|-------|-----------------------|-------------------------|------|
| 001   | CASING                | CAST IRON EN-GJL-250    | 1    |
| 012   | SUCTION COVER         | CAST IRON EN-GJL-250    | 1    |
| 016   | MECHANICAL SEAL COVER | CAST IRON EN-GJL-250    | 1    |
| 021   | IMPELLER              | CAST IRON EN-GJL-250+Ni | 1    |
| 080   | BUSHING               | STEEL                   | 1    |
| 111   | MECHANICAL SEAL       | -                       | 1    |
| 193   | OIL PLUG              | NBR / STAINLESS STEEL   | 1    |
| 275   | IMPELLER BOLT         | CLASS A2 AISI 304       | 1    |
| 801   | ROTOR                 | -                       | 1    |
| 802   | STATOR                | -                       | 1    |
| 811   | SUBMERSIBLE CABLE     | -                       | 1    |
| 814   | MOTOR FRAME           | CAST IRON EN-GJL-250    | 1    |
| 816   | POWER SIDE BRACKET    | CAST IRON EN-GJL-250    | 1    |
| 817   | OPPOSITE SIDE BRACKER | CAST IRON EN-GJL-250    | 1    |
| 830   | SHAFT                 | AISI 420B               | 1    |
| 849-1 | BALL BEARING          | -                       | 1    |
| 849-2 | BALL BEARING          | -                       | 1    |
| 904   | LIFTING HANDLE        | CAST IRON EN-GJL-250    | 1    |

80DMLV (2.2 kW)



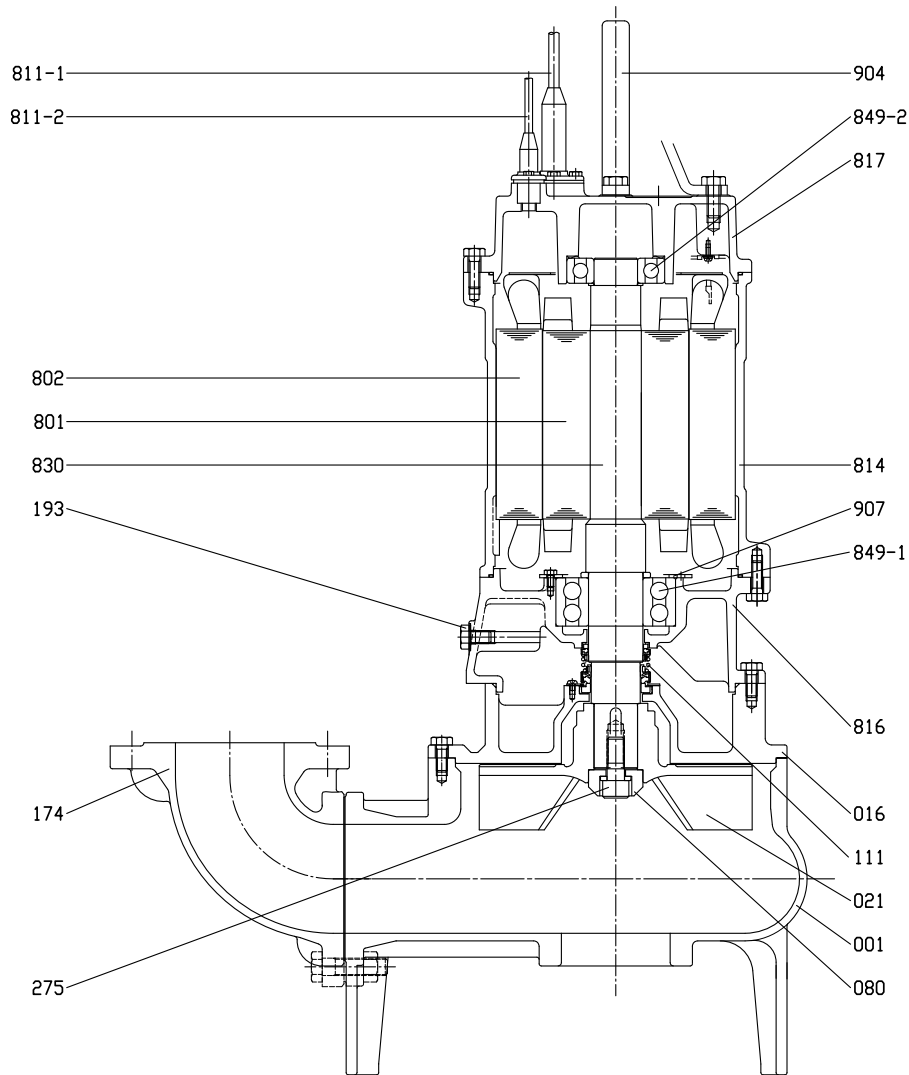
| N°  | PART.NAME             | MATERIAL                                  | Q.TY  | N°    | PART.NAME             | MATERIAL                           | Q.TY |
|-----|-----------------------|---|-------|-------|-----------------------|------------------------------------|------|
| 001 | Pump Casing           | Cast iron<br>EN-GHJL-200 - EN 1561        | 1     | 811   | Submersible Cable     | -                                  | 2    |
| 016 | Mechanical Seal Cover | Cast iron<br>EN-GHJL-200 - EN 1561        | 1     | 814   | Motor Frame           | Cast iron<br>EN-GHJL-200 - EN 1561 | 1    |
| 021 | Impeller              | Cast iron<br>EN-GHJL-200 - EN 1561        | 1     | 816   | Power Side Bracket    | Cast iron<br>EN-GHJL-200 - EN 1561 | 1    |
| 080 | Bushing               | Steel                                     | 1     | 817   | Opposite Side Bracket | Cast iron<br>EN-GHJL-200 - EN 1561 | 1    |
| 111 | Mechanical seal       | -   | 1     | 830   | Shaft                 | EN 1.4006 (AISI403)                | 1    |
| 174 | Discharge Bend        | Cast iron<br>EN-GHJL-200 - EN 1561        | 1     | 849-1 | Ball Bearing          | -                                  | 1    |
| 193 | Oil Plug              | NBR/Stainless Steel                       | 1 set | 849-2 | Ball Bearing          | -                                  | 1    |
| 275 | Impeller screw        | Stainless steel A2-70<br>class ISO 3506/1 | 1     | 876   | Auto Cut              | -                                  | 1    |
| 801 | Rotor                 | -   | 1     | 904   | Lifting Hanger        | Steel                              | 1    |
| 802 | Stator                | -   | 1     | 907   | Bearing Cover         | Steel                              | 1    |

**80DMLV (3.7 kW)  
100DMLV (3.7÷5.5 kW)**



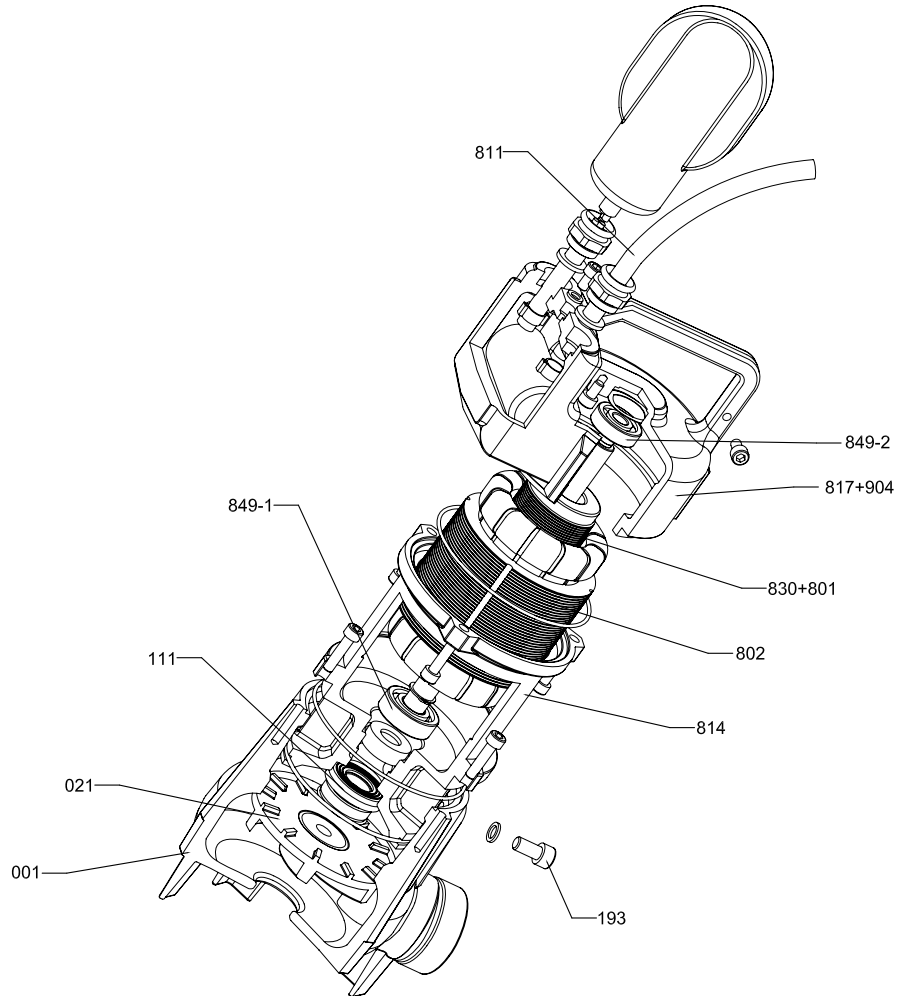
| N°  | PART.NAME             | MATERIAL                                  | Q.TY  | N°    | PART.NAME                     | MATERIAL                           | Q.TY |
|-----|-----------------------|---|-------|-------|-------------------------------|------------------------------------|------|
| 001 | Pump Casing           | Cast iron<br>EN-GHJL-200 - EN 1561        | 1     | 811-1 | Submersible Cable<br>(power)  | -                                  | 2    |
| 016 | Mechanical Seal Cover | Cast iron<br>EN-GHJL-200 - EN 1561        | 1     | 811-2 | Submersible Cable<br>(signal) | -                                  | 1    |
| 021 | Impeller              | Cast iron<br>EN-GHJL-200 - EN 1561        | 1     | 814   | Motor Frame                   | Cast iron<br>EN-GHJL-200 - EN 1561 | 1    |
| 080 | Bushing               | Steel                                     | 1     | 816   | Power Side Bracket            | Cast iron<br>EN-GHJL-200 - EN 1561 | 1    |
| 111 | Mechanical seal       | -   | 1     | 817   | Opposite Side Bracket         | Cast iron<br>EN-GHJL-200 - EN 1561 | 1    |
| 174 | Discharge Bend        | Cast iron<br>EN-GHJL-200 - EN 1561        | 1     | 830   | Shaft                         | EN 1.4006 (AISI403)                | 1    |
| 193 | Oil Plug              | NBR/Stainless Steel                       | 1 set | 849-1 | Ball Bearing                  | -                                  | 1    |
| 275 | Impeller screw        | Stainless steel A2-70<br>class ISO 3506/1 | 1     | 849-2 | Ball Bearing                  | -                                  | 1    |
| 801 | Rotor                 | -   | 1     | 904   | Lifting Hanger                | Steel                              | 1    |
| 802 | Stator                | -   | 1     | 907   | Bearing Cover                 | Steel                              | 1    |

100DMLV (11÷22 kW)



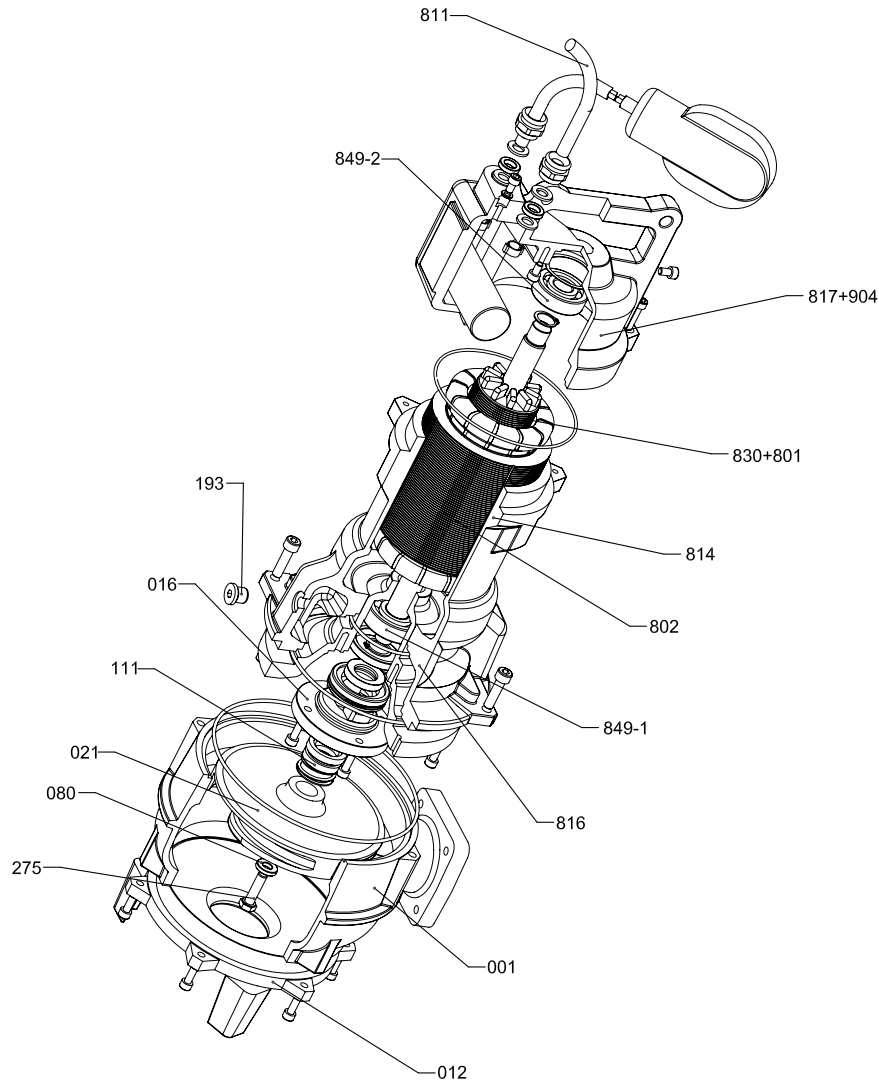
| N°  | PART.NAME             | MATERIAL  | Q.TY  | N°    | PART.NAME                     | MATERIAL                           | Q.TY |
|-----|-----------------------|---|-------|-------|-------------------------------|------------------------------------|------|
| 001 | Pump Casing           | Cast iron<br>EN-GHJL-200 - EN 1561                            | 1     | 811-1 | Submersible Cable<br>(power)  | -                                  | 2    |
| 016 | Mechanical Seal Cover | Cast iron<br>EN-GHJL-200 - EN 1561                            | 1     | 811-2 | Submersible Cable<br>(signal) | -                                  | 1    |
| 021 | Impeller              | EN-GHJL-200-EN 1561 (11 kW)<br>EN-GJS-400 -EN 1563 (15-22 kW) | 1     | 814   | Motor Frame                   | Cast iron<br>EN-GHJL-200 - EN 1561 | 1    |
| 080 | Bushing               | Steel   | 1     | 816   | Power Side Bracket            | Cast iron<br>EN-GHJL-200 - EN 1561 | 1    |
| 111 | Mechanical seal       | -   | 1     | 817   | Opposite Side Bracket         | Cast iron<br>EN-GHJL-200 - EN 1561 | 1    |
| 174 | Discharge Bend        | Cast iron<br>EN-GHJL-200 - EN 1561                            | 1     | 830   | Shaft                         | EN 1.4006 (AISI403)                | 1    |
| 193 | Oil Plug              | NBR/Stainless Steel   | 1 set | 849-1 | Ball Bearing                  | -                                  | 1    |
| 275 | Impeller screw        | Stainless steel A2-70<br>class ISO 3506/1                     | 1     | 849-2 | Ball Bearing                  | -                                  | 1    |
| 801 | Rotor                 | -   | 1     | 904   | Lifting Hanger                | Steel                              | 1    |
| 802 | Stator                | -   | 1     | 907   | Bearing Cover                 | Steel                              | 1    |

40 DMLVF ( 0.5 kW )



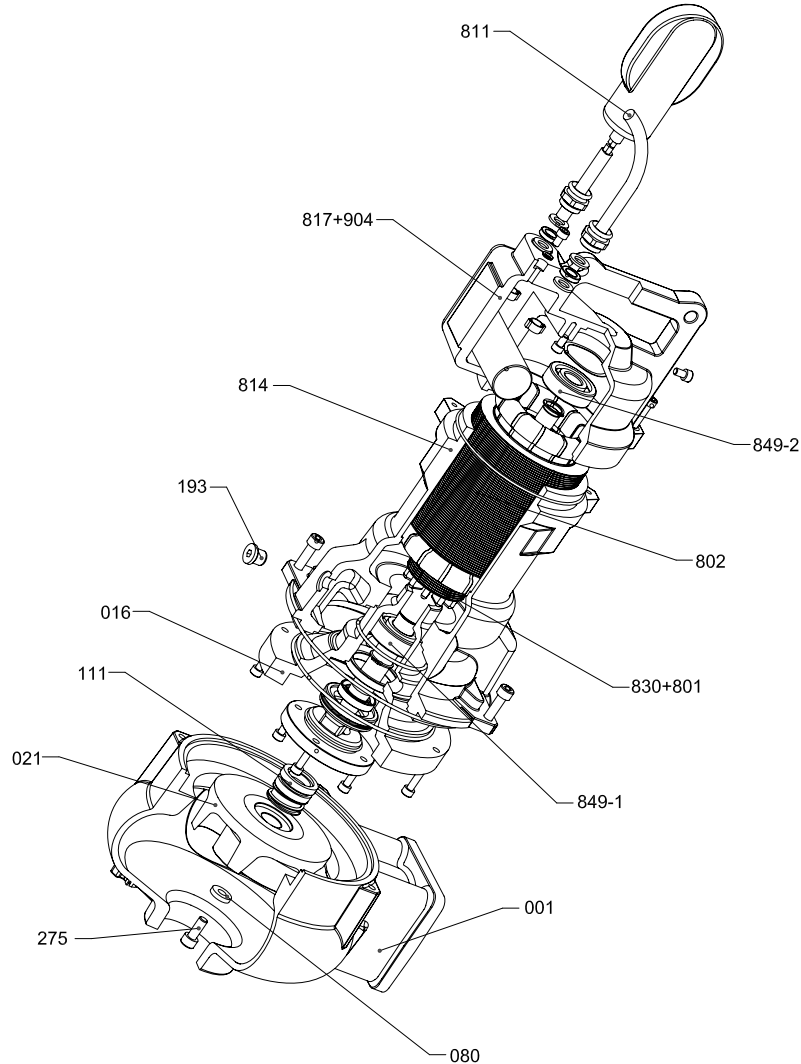
| N°    | PART NAME             | MATERIAL                | Q.TY |
|-------|-----------------------|-------------------------|------|
| 001   | CASING                | CAST IRON EN-GJL-250    | 1    |
| 021   | IMPELLER              | CAST IRON EN-GJL-250+Ni | 1    |
| 111   | MECHANICAL SEAL       | -                       | 1    |
| 193   | OIL PLUG              | NBR / STAINLESS STEEL   | 1    |
| 801   | ROTOR                 | -                       | 1    |
| 802   | STATOR                | -                       | 1    |
| 811   | SUBMERSIBLE CABLE     | -                       | 1    |
| 814   | MOTOR FRAME           | CAST IRON EN-GJL-250    | 1    |
| 817   | OPPOSITE SIDE BRACKET | CAST IRON EN-GJL-250    | 1    |
| 830   | SHAFT                 | AISI 420B               | 1    |
| 849-1 | BALL BEARING          | -                       | 1    |
| 849-2 | BALL BEARING          | -                       | 1    |
| 904   | LIFTING HANGER        | CAST IRON EN-GJL-250    | 1    |

**50 DMLVF ( 1.5÷1.9 kW )**



| N°    | PART NAME             | MATERIAL                | Q.TY |
|-------|-----------------------|-------------------------|------|
| 001   | CASING                | CAST IRON EN-GJL-250    | 1    |
| 012   | SUCTION COVER         | CAST IRON EN-GJL-250    | 1    |
| 016   | MECHANICAL SEAL COVER | CAST IRON EN-GJL-250    | 1    |
| 021   | IMPELLER              | CAST IRON EN-GJL-250+Ni | 1    |
| 080   | BUSHING               | STEEL                   | 1    |
| 111   | MECHANICAL SEAL       | -                       | 1    |
| 193   | OIL PLUG              | NBR / STAINLESS STEEL   | 1    |
| 275   | IMPELLER BOLT         | CLASS A2 AISI 304       | 1    |
| 801   | ROTOR                 | -                       | 1    |
| 802   | STATOR                | -                       | 1    |
| 811   | SUBMERSIBLE CABLE     | -                       | 1    |
| 814   | MOTOR FRAME           | CAST IRON EN-GJL-250    | 1    |
| 816   | POWER SIDE BRACKET    | CAST IRON EN-GJL-250    | 1    |
| 817   | OPPOSITE SIDE BRACKET | CAST IRON EN-GJL-250    | 1    |
| 830   | SHAFT                 | AISI 420B               | 1    |
| 849-1 | BALL BEARING          | -                       | 1    |
| 849-2 | BALL BEARING          | -                       | 1    |
| 904   | LIFTING HANDLE        | CAST IRON EN-GJL-250    | 1    |

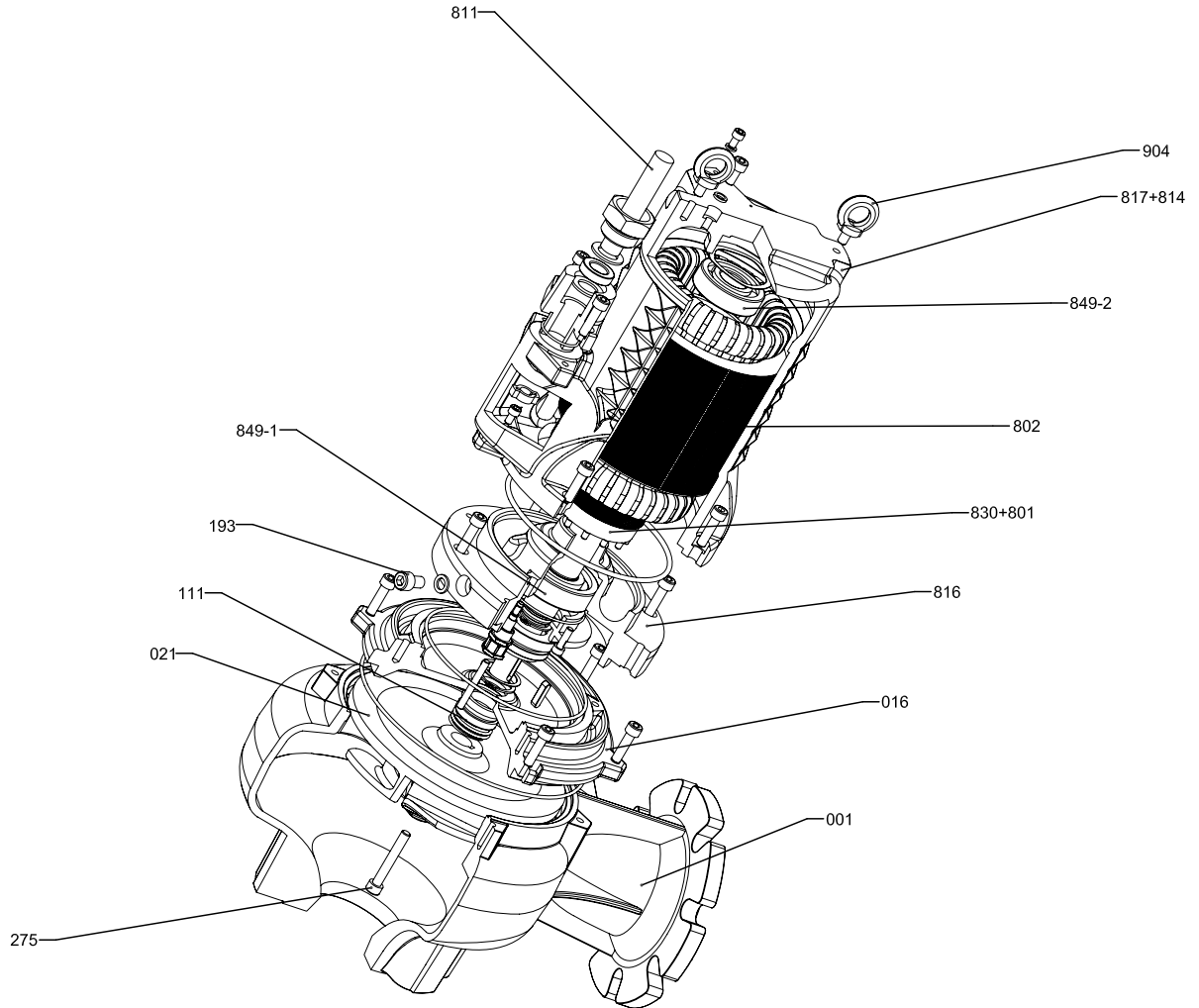
65 DMLVF (1.5 kW)



| N°    | PART NAME             | MATERIAL                | Q.TY |
|-------|-----------------------|-------------------------|------|
| 001   | CASING                | CAST IRON EN-GJL-250    | 1    |
| 021   | IMPELLER              | CAST IRON EN-GJL-250+Ni | 1    |
| 016   | MECHANICAL SEAL COVER | CAST IRON EN-GJL-250    | 1    |
| 080   | BUSHING               | STEEL                   | 1    |
| 111   | MECHANICAL SEAL       | -                       | 1    |
| 193   | OIL PLUG              | NBR / STAINLESS STEEL   | 1    |
| 275   | IMPELLER BOLT         | CLASS A2 AISI 304       | 1    |
| 801   | ROTOR                 | -                       | 1    |
| 802   | STATOR                | -                       | 1    |
| 811   | SUBMERSIBLE CABLE     | -                       | 1    |
| 814   | MOTOR FRAME           | CAST IRON EN-GJL-250    | 1    |
| 817   | OPPOSITE SIDE BRACKET | CAST IRON EN-GJL-250    | 1    |
| 830   | SHAFT                 | AISI 420B               | 1    |
| 849-1 | BALL BEARING          | -                       | 1    |
| 849-2 | BALL BEARING          | -                       | 1    |
| 904   | LIFTING HANGER        | CAST IRON EN-GJL-250    | 1    |

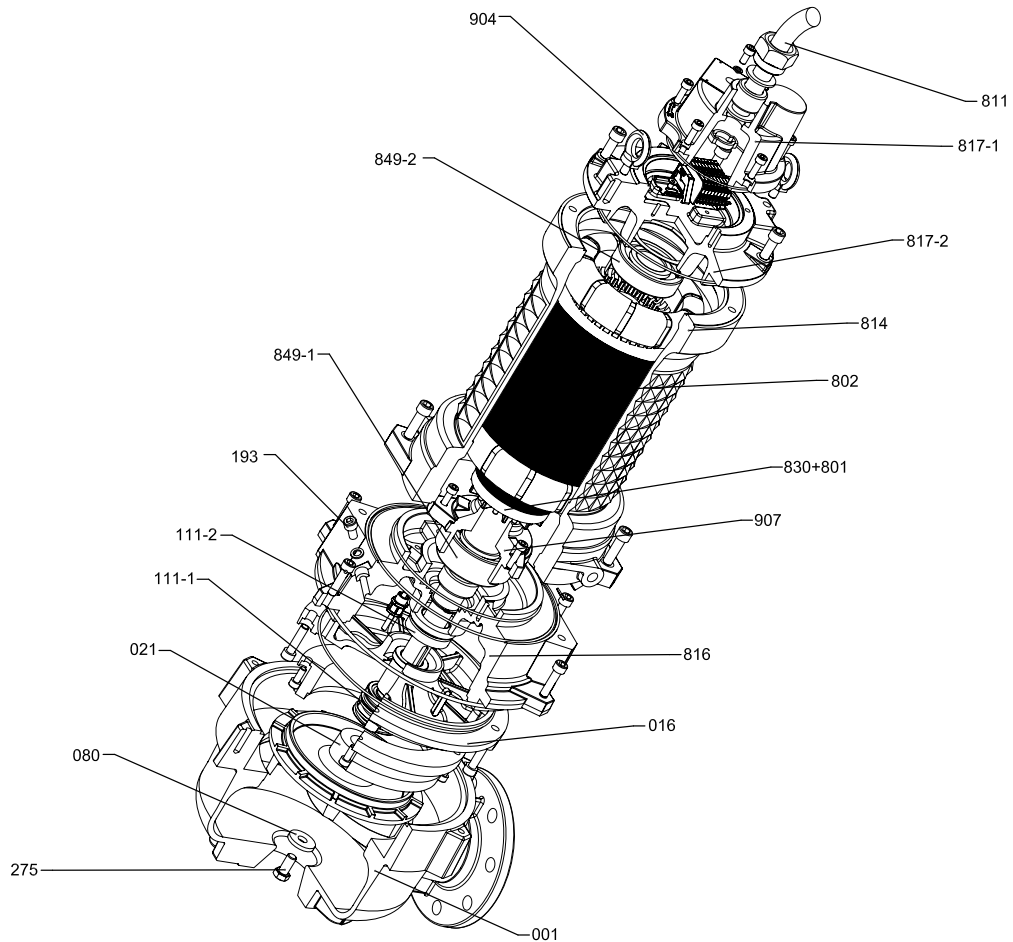


**80 DMLVF ( 4.9 kW )**



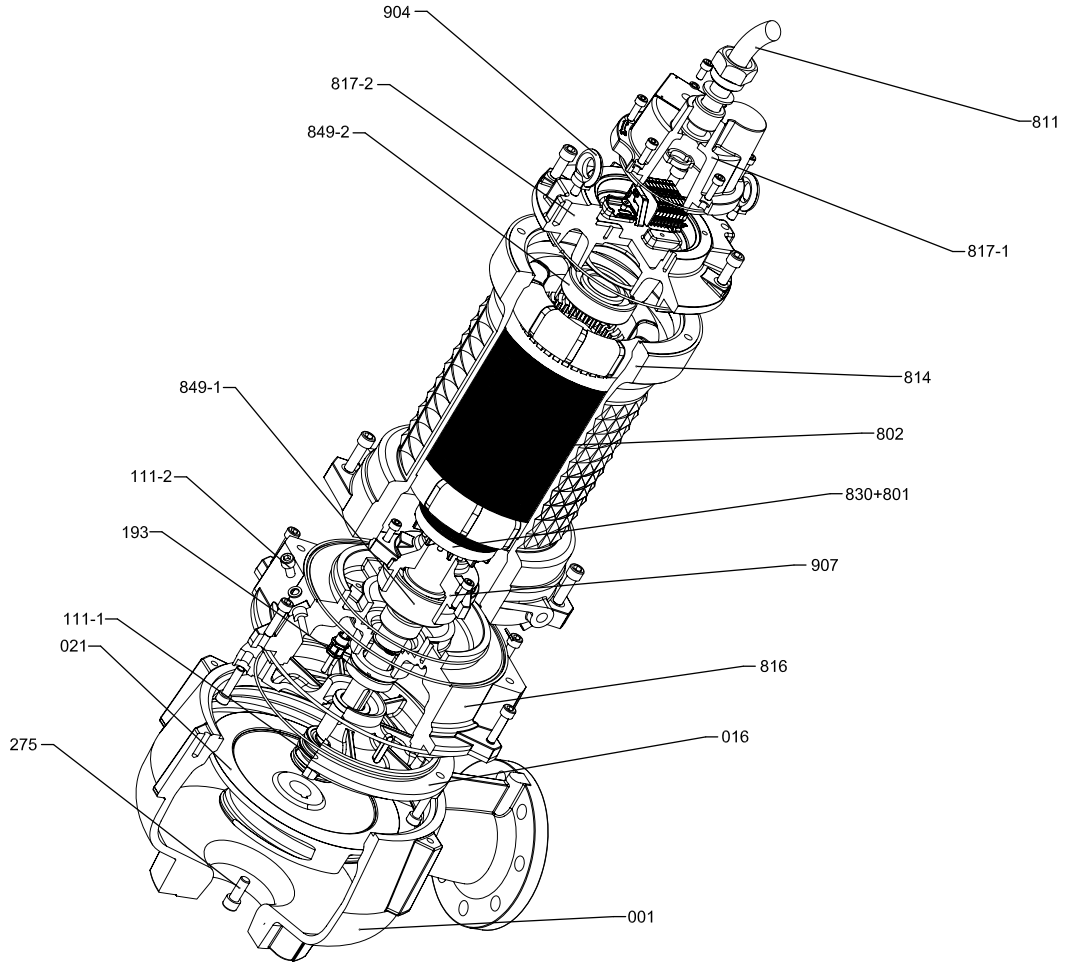
| N°    | PART NAME             | MATERIAL                | Q.TY |
|-------|-----------------------|-------------------------|------|
| 001   | CASING                | CAST IRON EN-GJL-250    | 1    |
| 016   | MECHANICAL SEAL COVER | CAST IRON EN-GJL-250    | 1    |
| 021   | IMPELLER              | CAST IRON EN-GJL-250+Ni | 1    |
| 111   | MECHANICAL SEAL       | -                       | 1    |
| 193   | OIL PLUG              | NBR / STAINLESS STEEL   | 1    |
| 275   | IMPELLER BOLT         | CLASS A2 AISI 304       | 1    |
| 801   | ROTOR                 | -                       | 1    |
| 802   | STATOR                | -                       | 1    |
| 811   | SUBMERSIBLE CABLE     | -                       | 1    |
| 814   | MOTOR FRAME           | CAST IRON EN-GJL-250    | 1    |
| 816   | POWER SIDE BRACKET    | CAST IRON EN-GJL-250    | 1    |
| 817   | OPPOSITE SIDE BRACKET | CAST IRON EN-GJL-250    | 1    |
| 830   | SHAFT                 | AISI 420B               | 1    |
| 849-1 | BALL BEARING          | -                       | 1    |
| 849-2 | BALL BEARING          | -                       | 1    |
| 904   | LIFTING HANGER        | STEEL                   | 2    |

**80 DMLVF ( 16.6 kW )**

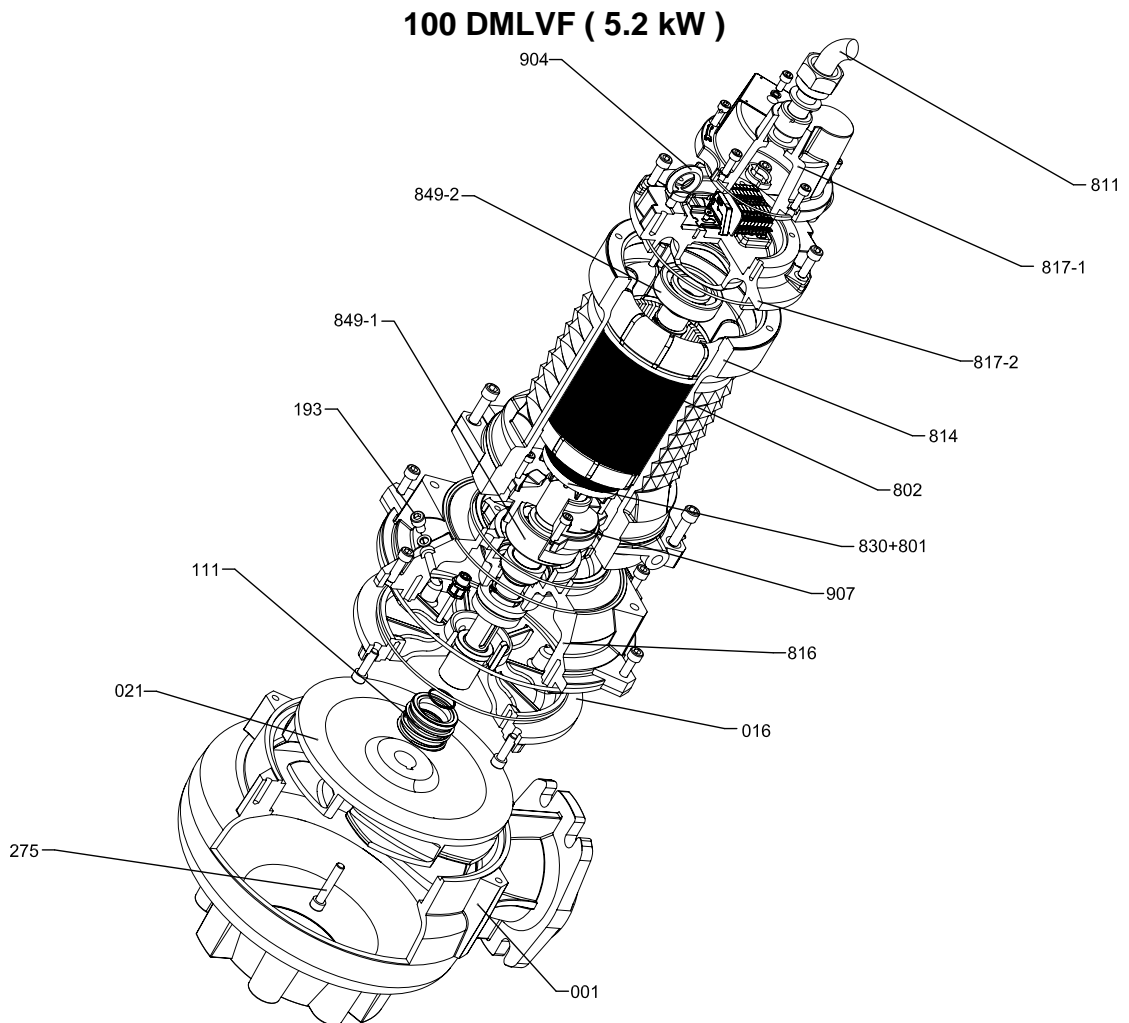


| N°    | PART NAME             | MATERIAL                | Q.TY | N°    | PART NAME             | MATERIAL             | Q.TY |
|-------|-----------------------|-------------------------|------|-------|-----------------------|----------------------|------|
| 001   | CASING                | CAST IRON EN-GJL-250    | 1    | 811   | SUBMERSIBLE CABLE     | -                    | 1    |
| 016   | MECHANICAL SEAL COVER | CAST IRON EN-GJL-250    | 1    | 814   | MOTOR FRAME           | CAST IRON EN-GJL-250 | 1    |
| 021   | IMPELLER              | CAST IRON EN-GJL-250+Ni | 1    | 816   | POWER SIDE BRACKET    | CAST IRON EN-GJL-250 | 1    |
| 080   | BUSHING               | STEEL                   | 1    | 817-1 | OPPOSITE SIDE BRACKET | CAST IRON EN-GJL-250 | 1    |
| 111-1 | MECHANICAL SEAL       | -                       | 1    | 817-2 | OPPOSITE SIDE BRACKET | CAST IRON EN-GJL-250 | 1    |
| 111-2 | MECHANICAL SEAL       | -                       | 1    | 830   | SHAFT                 | AISI 420B            | 1    |
| 193   | OIL PLUG              | NBR / STAINLESS STEEL   | 1    | 849-1 | BALL BEARING          | -                    | 1    |
| 275   | IMPELLER BOLT         | CLASS A2 AISI 304       | 1    | 849-2 | BALL BEARING          | -                    | 1    |
| 801   | ROTOR                 | -                       | 1    | 904   | LIFTING HANGER        | STEEL                | 2    |
| 802   | STATOR                | -                       | 1    | 907   | BEARING COVER         | CAST IRON EN-GJL-250 | 1    |

**80 DMLVF ( 18.2 kW )**

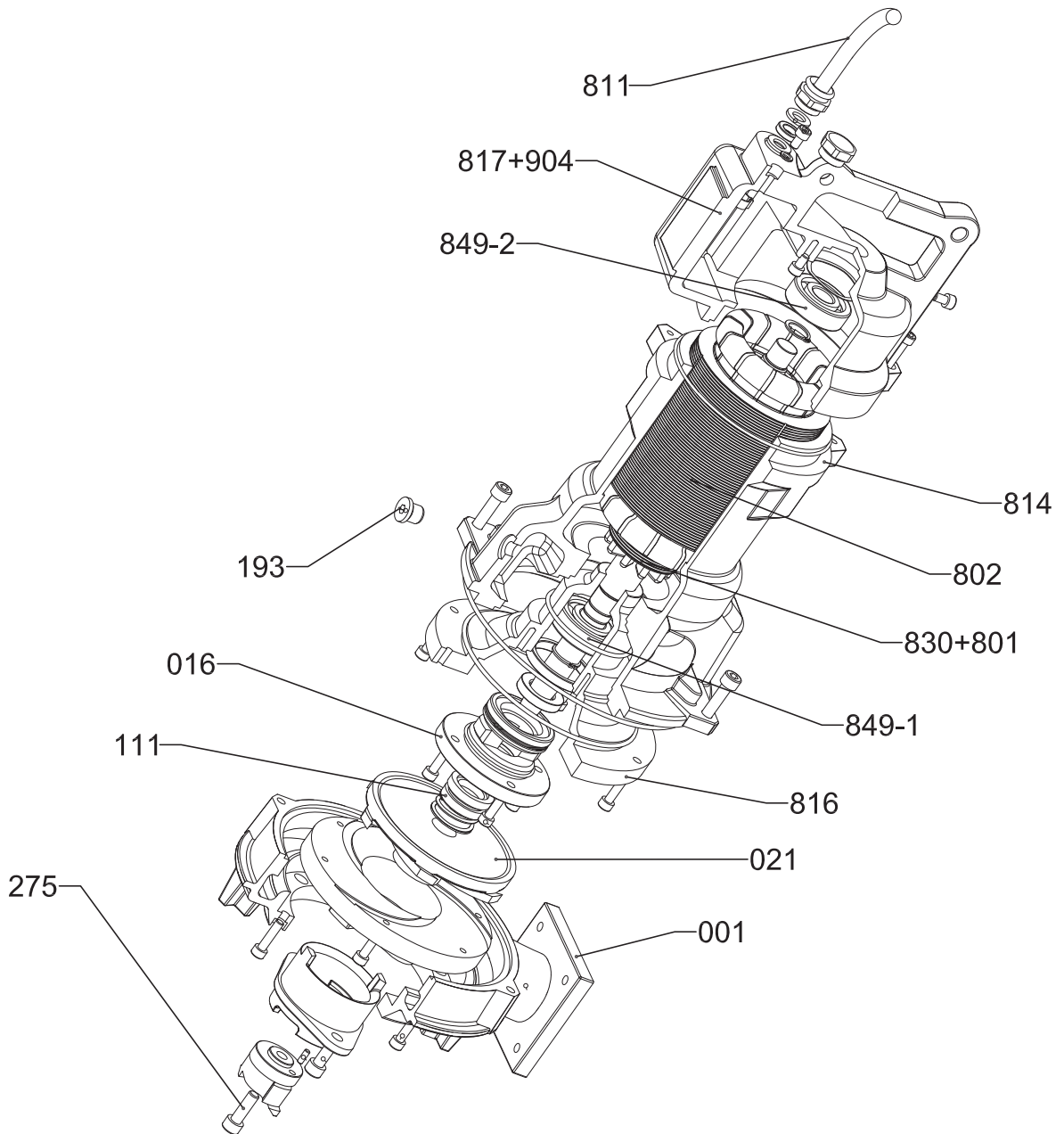


| N°    | PART NAME             | MATERIAL                | Q.TY | N°    | PART NAME             | MATERIAL             | Q.TY |
|-------|-----------------------|-------------------------|------|-------|-----------------------|----------------------|------|
| 001   | CASING                | CAST IRON EN-GJL-250    | 1    | 814   | MOTOR FRAME           | CAST IRON EN-GJL-250 | 1    |
| 016   | MECHANICAL SEAL COVER | CAST IRON EN-GJL-250    | 1    | 816   | POWER SIDE BRACKET    | CAST IRON EN-GJL-250 | 1    |
| 021   | IMPELLER              | CAST IRON EN-GJL-250+Ni | 1    | 817-1 | OPPOSITE SIDE BRACKER | CAST IRON EN-GJL-250 | 1    |
| 111-1 | MECHANICAL SEAL       | -                       | 1    | 817-2 | OPPOSITE SIDE BRACKER | CAST IRON EN-GJL-250 | 1    |
| 111-2 | MECHANICAL SEAL       | -                       | 1    | 830   | SHAFT                 | AISI 420B            | 1    |
| 193   | OIL PLUG              | NBR / STAINLESS STEEL   | 1    | 849-1 | BALL BEARING          | -                    | 1    |
| 275   | IMPELLER BOLT         | CLASS A2 AISI 304       | 1    | 849-2 | BALL BEARING          | -                    | 1    |
| 801   | ROTOR                 | -                       | 1    | 904   | LIFTING HANGER        | STEEL                | 2    |
| 802   | STATOR                | -                       | 1    | 907   | BEARING COVER         | CAST IRON EN-GJL-250 | 1    |
| 811   | SUBMERSIBLE CABLE     | -                       | 1    |       |                       |                      |      |



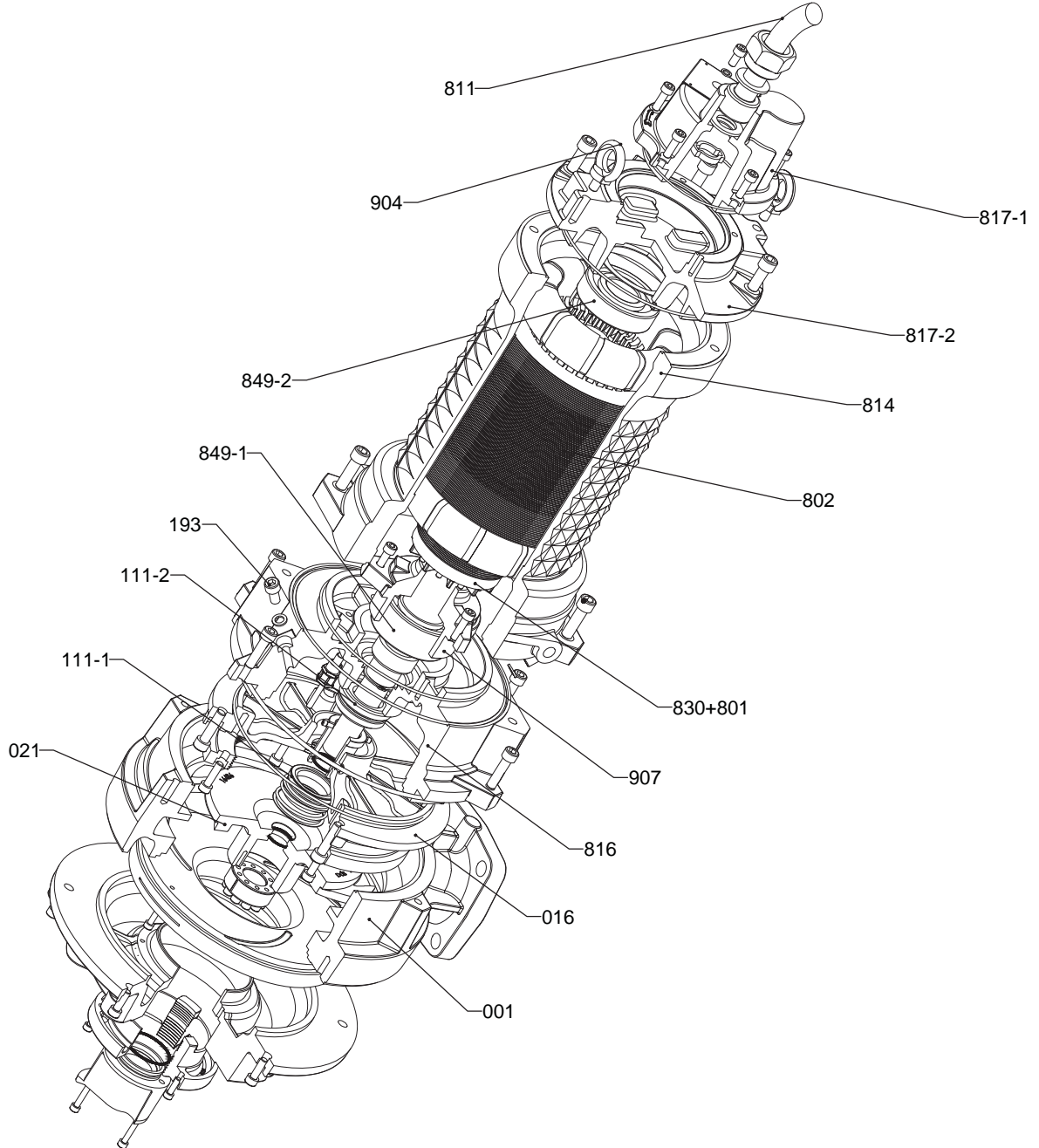
| N°    | PART NAME             | MATERIAL              | Q.TY |
|-------|-----------------------|-----------------------|------|
| 001   | CASING                | CAST IRON EN-GJL-250  | 1    |
| 016   | MECHANICAL SEAL COVER | CAST IRON EN-GJL-250  | 1    |
| 021   | IMPELLER              | CAST IRON EN-GJL-250  | 1    |
| 111   | MECHANICAL SEAL       | -                     | 1    |
| 193   | OIL PLUG              | NBR / STAINLESS STEEL | 1    |
| 275   | IMPELLER BOLT         | CLASS A2 AISI 304     | 1    |
| 801   | ROTOR                 | -                     | 1    |
| 802   | STATOR                | -                     | 1    |
| 811   | SUBMERSIBLE CABLE     | -                     | 1    |
| 814   | MOTOR FRAME           | CAST IRON EN-GJL-250  | 1    |
| 816   | POWER SIDE BRACKET    | CAST IRON EN-GJL-250  | 1    |
| 817-1 | OPPOSITE SIDE BRACKET | CAST IRON EN-GJL-250  | 1    |
| 817-2 | OPPOSITE SIDE BRACKET | CAST IRON EN-GJL-250  | 1    |
| 830   | SHAFT                 | AISI 420B             | 1    |
| 849-1 | BALL BEARING          | -                     | 1    |
| 849-2 | BALL BEARING          | -                     | 1    |
| 904   | LIFTING HANGER        | STEEL                 | 2    |
| 907   | BEARING COVER         | CAST IRON EN-GJL-250  | 1    |

40 DRS ( 1.1 ÷ 5.0 kW )



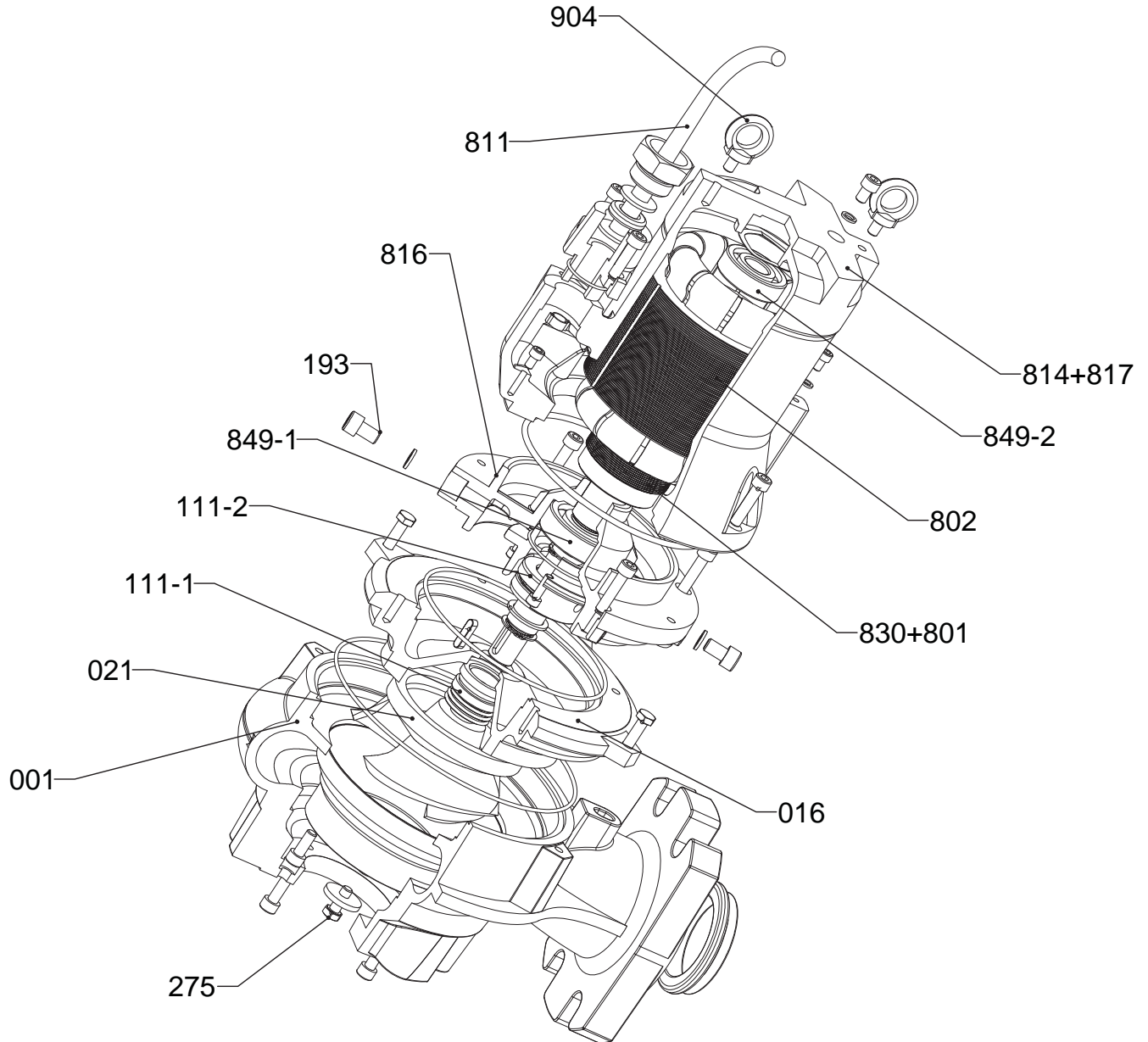
| N°  | PART NAME             | MATERIAL                      | Q.TY | N°    | PART NAME             | MATERIAL             | Q.TY |
|-----|-----------------------|-------------------------------|------|-------|-----------------------|----------------------|------|
| 001 | CASING                | CAST IRON EN-GJL-250          | 1    | 814   | MOTOR FRAME           | CAST IRON EN-GJL-250 | 1    |
| 016 | MECHANICAL SEAL COVER | CAST IRON EN-GJL-250          | 1    | 816   | POWER SIDE BRACKET    | CAST IRON EN-GJL-250 | 1    |
| 021 | IMPELLER              | DUCTILE IRON GS400 UNI-EN1563 | 1    | 817   | OPPOSITE SIDE BRACKET | CAST IRON EN-GJL-250 | 1    |
| 111 | MECHANICAL SEAL       | -                             | 1    | 830   | SHAFT                 | AISI 420B            | 1    |
| 193 | OIL PLUG              | NBR / STAINLESS STEEL         | 1    | 849-1 | BALL BEARING          | -                    | 1    |
| 275 | IMPELLER BOLT         | CLASS A2 AISI 304             | 1    | 849-2 | BALL BEARING          | -                    | 1    |
| 801 | ROTOR                 | -                             | 1    | 904   | LIFTING HANGER        | STEEL                | 2    |
| 802 | STATOR                | -                             | 1    |       |                       |                      |      |
| 811 | SUBMERSIBLE CABLE     | -                             | 1    |       |                       |                      |      |

**65 DRS ( 6.5 ÷ 25.1 kW )**



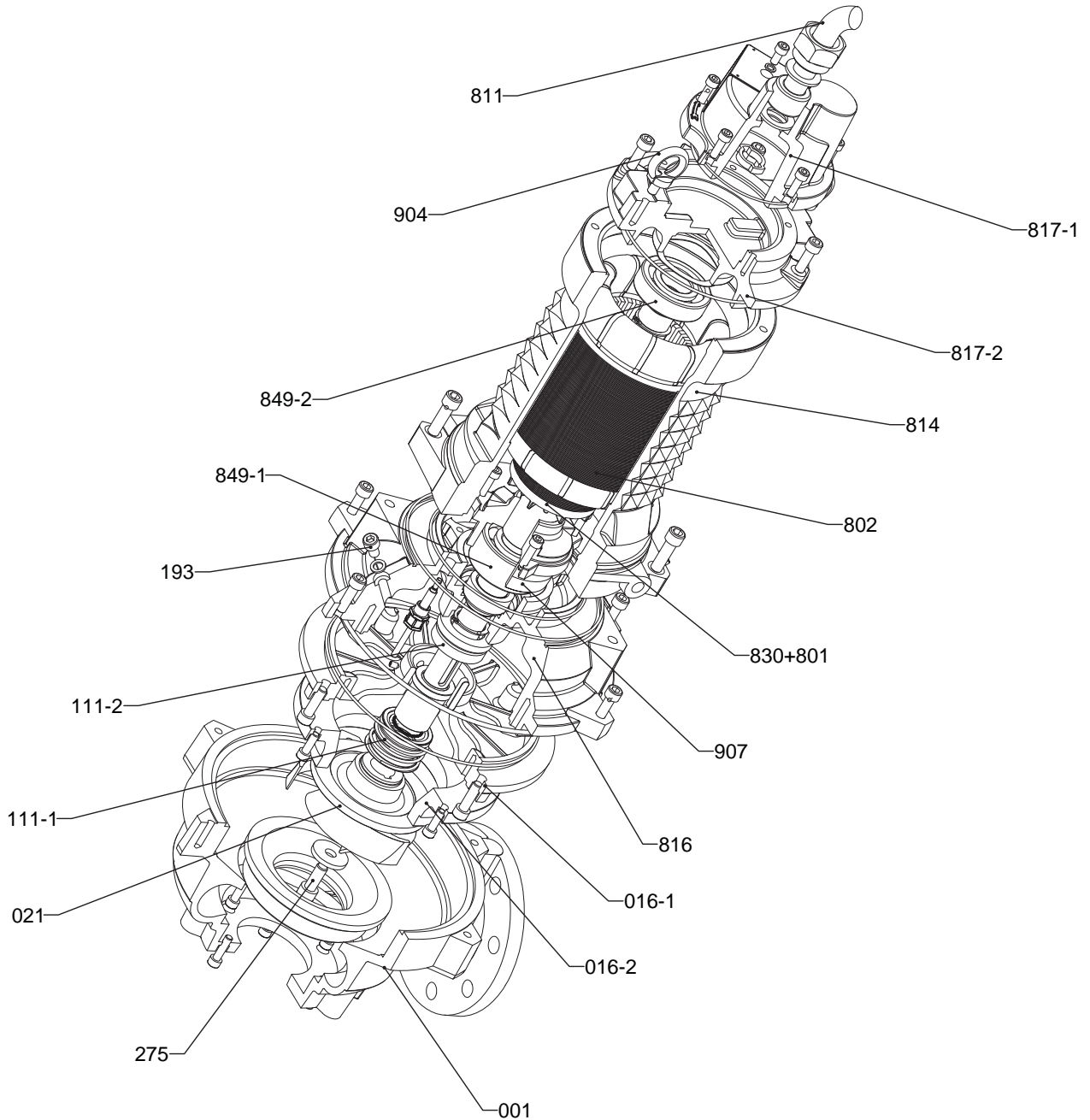
| N°    | PART NAME             | MATERIAL                      | Q.TY | N°    | PART NAME             | MATERIAL             | Q.TY |
|-------|-----------------------|-------------------------------|------|-------|-----------------------|----------------------|------|
| 001   | CASING                | CAST IRON EN-GJL-250          | 1    | 814   | MOTOR FRAME           | CAST IRON EN-GJL-250 | 1    |
| 016   | MECHANICAL SEAL COVER | CAST IRON EN-GJL-250          | 1    | 816   | POWER SIDE BRACKET    | CAST IRON EN-GJL-250 | 1    |
| 021   | IMPELLER              | DUCTILE IRON GS400 UNI-EN1563 | 1    | 817-1 | OPPOSITE SIDE BRACKET | CAST IRON EN-GJL-250 | 1    |
| 111-1 | MECHANICAL SEAL       | -                             | 1    | 817-2 | OPPOSITE SIDE BRACKET | CAST IRON EN-GJL-250 | 1    |
| 111-2 | MECHANICAL SEAL       | -                             | 1    | 830   | SHAFT                 | AISI 420B            | 1    |
| 193   | OIL PLUG              | NBR / STAINLESS STEEL         | 1    | 849-1 | BALL BEARING          | -                    | 1    |
| 275   | IMPELLER BOLT         | CLASS A2 AISI 304             | 1    | 849-2 | BALL BEARING          | -                    | 1    |
| 801   | ROTOR                 | -                             | 1    | 904   | LIFTING HANGER        | STEEL                | 2    |
| 802   | STATOR                | -                             | 1    | 907   | BEARING COVER         | CAST IRON EN-GJL-250 | 1    |
| 811   | SUBMERSIBLE CABLE     | -                             | 1    |       |                       |                      |      |

**65 DRD ( 3.1 ÷ 3.6 kW )**



| N°    | PART NAME             | MATERIAL                      | Q.TY | N°    | PART NAME             | MATERIAL             | Q.TY |
|-------|-----------------------|-------------------------------|------|-------|-----------------------|----------------------|------|
| 001   | CASING                | CAST IRON EN-GJL-250          | 1    | 814   | MOTOR FRAME           | CAST IRON EN-GJL-250 | 1    |
| 016   | MECHANICAL SEAL COVER | CAST IRON EN-GJL-250          | 1    | 816   | POWER SIDE BRACKET    | CAST IRON EN-GJL-250 | 1    |
| 021   | IMPELLER              | DUCTILE IRON GS400 UNI-EN1563 | 1    | 817   | OPPOSITE SIDE BRACKET | CAST IRON EN-GJL-250 | 1    |
| 111-1 | MECHANICAL SEAL       | -                             | 1    | 830   | SHAFT                 | AISI 420B            | 1    |
| 111-2 | MECHANICAL SEAL       | -                             | 1    | 849-1 | BALL BEARING          | -                    | 1    |
| 193   | OIL PLUG              | NBR / STAINLESS STEEL         | 1    | 849-2 | BALL BEARING          | -                    | 1    |
| 275   | IMPELLER BOLT         | CLASS A2 AISI 304             | 1    | 904   | LIFTING HANGER        | STEEL                | 2    |
| 801   | ROTOR                 | -                             | 1    |       |                       |                      |      |
| 802   | STATOR                | -                             | 1    |       |                       |                      |      |
| 811   | SUBMERSIBLE CABLE     | -                             | 1    |       |                       |                      |      |

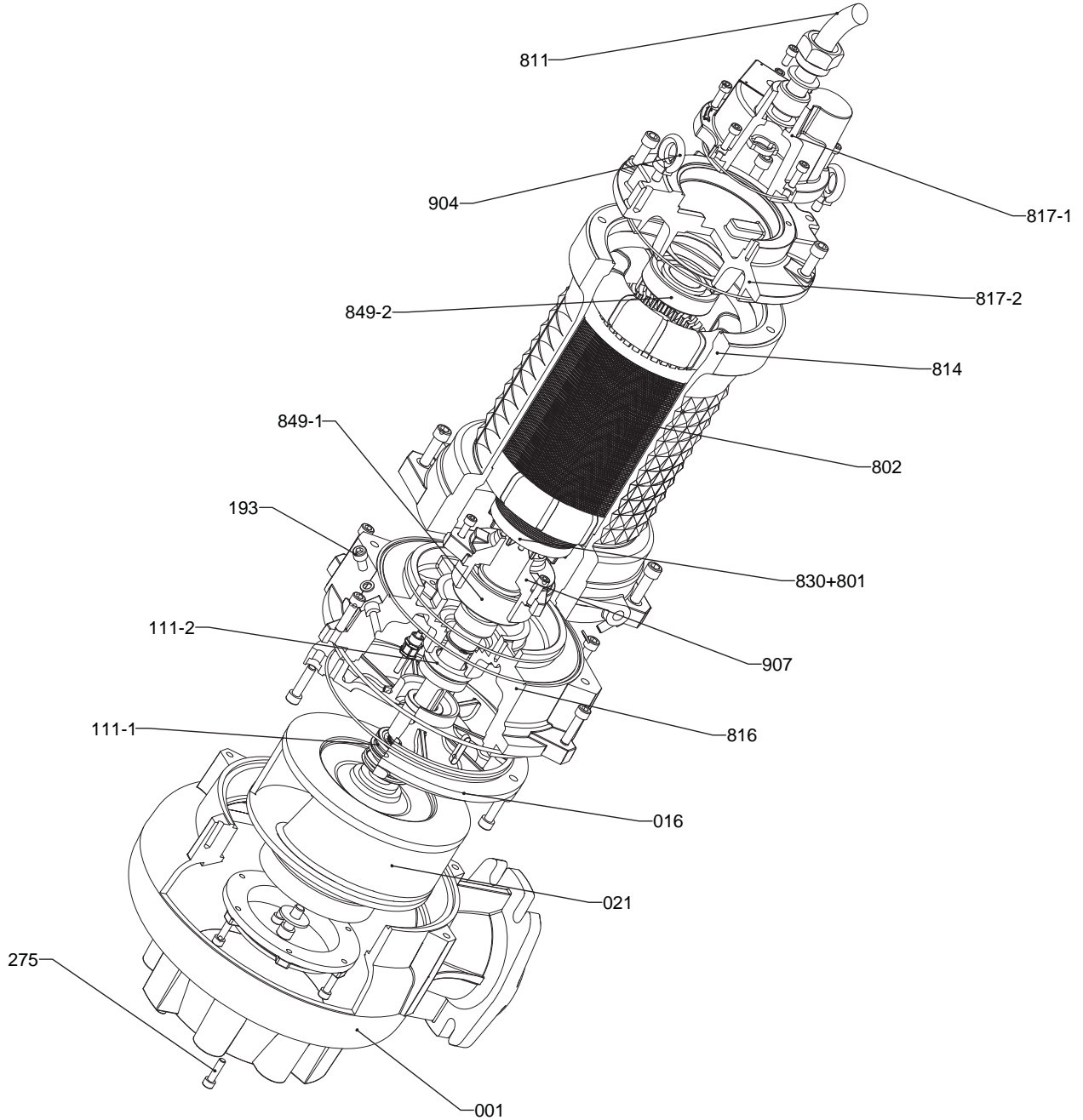
**80 DRD ( 5.0 ÷ 7.5 kW )**



| N°    | PART NAME             | MATERIAL                      | Q.TY | N°    | PART NAME             | MATERIAL             | Q.TY |
|-------|-----------------------|-------------------------------|------|-------|-----------------------|----------------------|------|
| 001   | CASING                | CAST IRON EN-GJL-250          | 1    | 811   | SUBMERSIBLE CABLE     | -                    | 1    |
| 016-1 | MECHANICAL SEAL COVER | CAST IRON EN-GJL-250          | 1    | 814   | MOTOR FRAME           | CAST IRON EN-GJL-250 | 1    |
| 016-2 | MECHANICAL SEAL COVER | CAST IRON EN-GJL-250          | 1    | 816   | POWER SIDE BRACKET    | CAST IRON EN-GJL-250 | 1    |
| 021   | IMPELLER              | DUCTILE IRON GS400 UNI-EN1563 | 1    | 817-1 | OPPOSITE SIDE BRACKET | CAST IRON EN-GJL-250 | 1    |
| 111-1 | MECHANICAL SEAL       | -                             | 1    | 817-2 | OPPOSITE SIDE BRACKET | CAST IRON EN-GJL-250 | 1    |
| 111-2 | MECHANICAL SEAL       | -                             | 1    | 830   | SHAFT                 | AISI 420B            | 1    |
| 193   | OIL PLUG              | NBR / STAINLESS STEEL         | 1    | 849-1 | BALL BEARING          | -                    | 1    |
| 275   | IMPELLER BOLT         | CLASS A2 AISI 304             | 1    | 849-2 | BALL BEARING          | -                    | 1    |
| 801   | ROTOR                 | -                             | 1    | 904   | LIFTING HANGER        | STEEL                | 2    |
| 802   | STATOR                | -                             | 1    | 907   | BEARING COVER         | CAST IRON EN-GJL-250 | 1    |

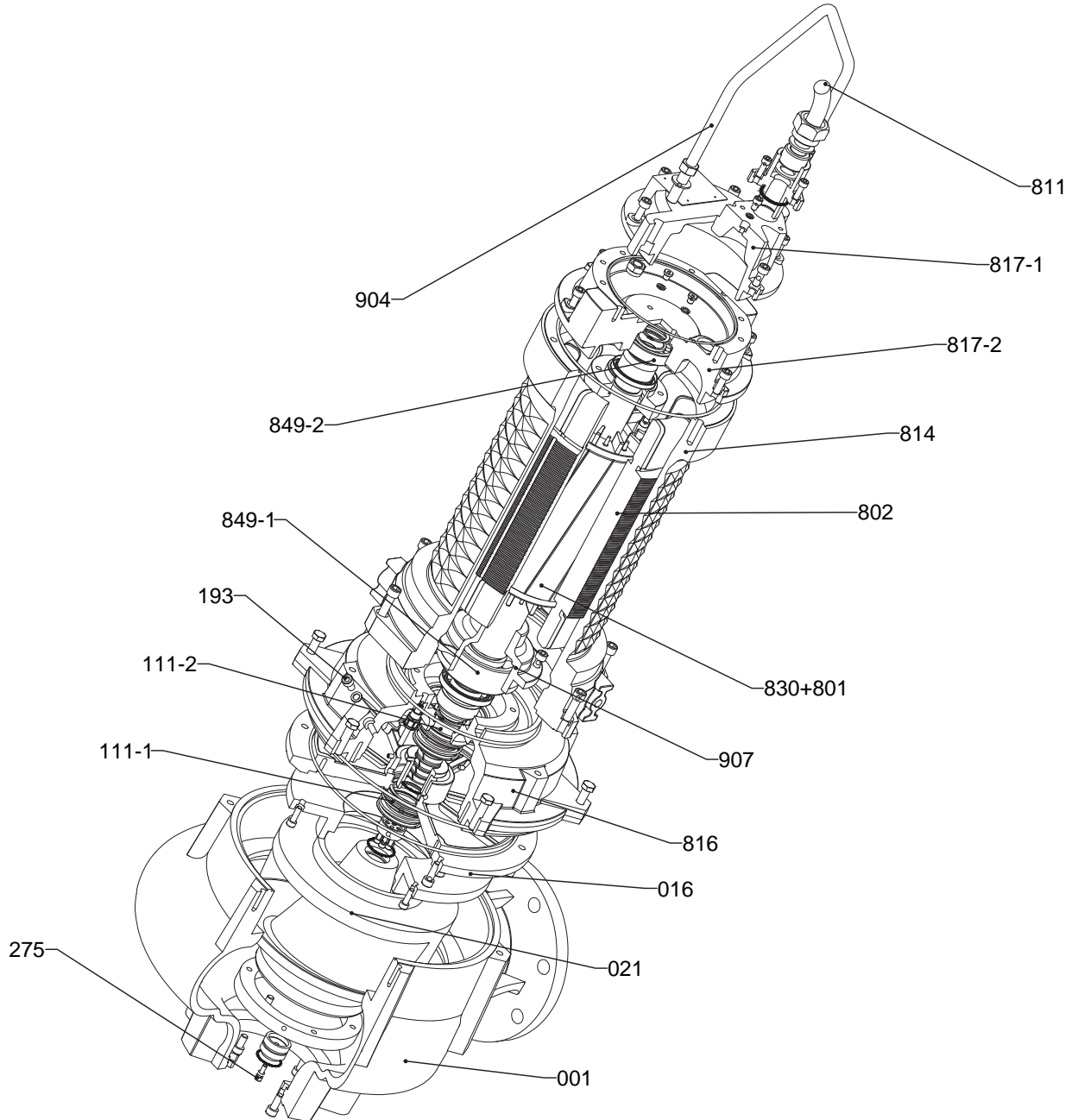


100 DRD ( 2.7 ÷ 20.0 kW )



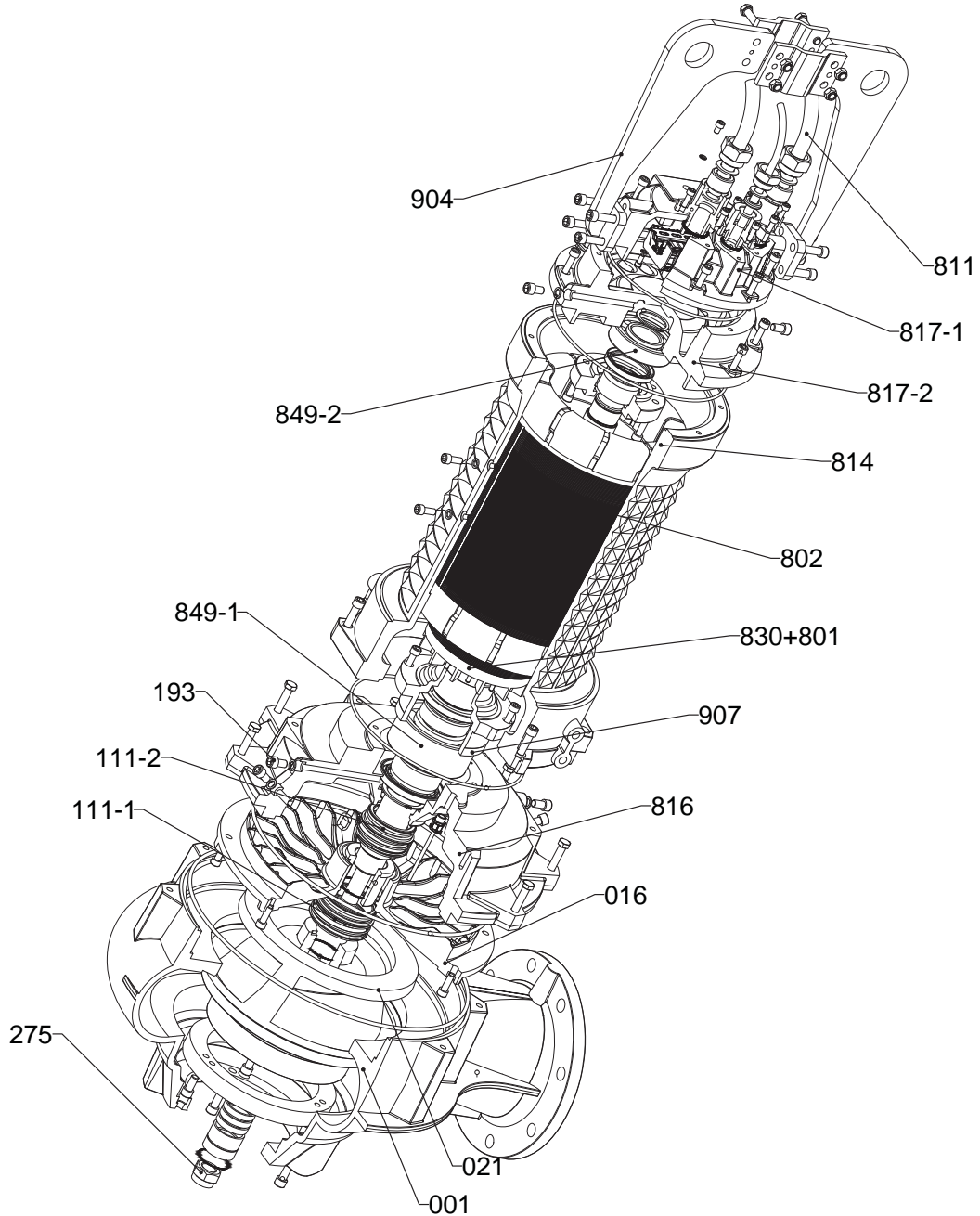
| N°    | PART NAME             | MATERIAL                      | Q.TY | N°    | PART NAME             | MATERIAL             | Q.TY |
|-------|-----------------------|-------------------------------|------|-------|-----------------------|----------------------|------|
| 001   | CASING                | CAST IRON EN-GJL-250          | 1    | 814   | MOTOR FRAME           | CAST IRON EN-GJL-250 | 1    |
| 016   | MECHANICAL SEAL COVER | CAST IRON EN-GJL-250          | 1    | 816   | POWER SIDE BRACKET    | CAST IRON EN-GJL-250 | 1    |
| 021   | IMPELLER              | DUCTILE IRON GS400 UNI-EN1563 | 1    | 817-1 | OPPOSITE SIDE BRACKET | CAST IRON EN-GJL-250 | 1    |
| 111-1 | MECHANICAL SEAL       | -                             | 1    | 817-2 | OPPOSITE SIDE BRACKET | CAST IRON EN-GJL-250 | 1    |
| 111-2 | MECHANICAL SEAL       | -                             | 1    | 830   | SHAFT                 | AISI 420B            | 1    |
| 193   | OIL PLUG              | NBR / STAINLESS STEEL         | 1    | 849-1 | BALL BEARING          | -                    | 1    |
| 275   | IMPELLER BOLT         | CLASS A2 AISI 304             | 1    | 849-2 | BALL BEARING          | -                    | 1    |
| 801   | ROTOR                 | -                             | 1    | 904   | LIFTING HANGER        | STEEL                | 2    |
| 802   | STATOR                | -                             | 1    | 907   | BEARING COVER         | CAST IRON EN-GJL-250 | 1    |
| 811   | SUBMERSIBLE CABLE     | -                             | 1    |       |                       |                      |      |

150 DRD ( 6.0 ÷ 80.0 kW )



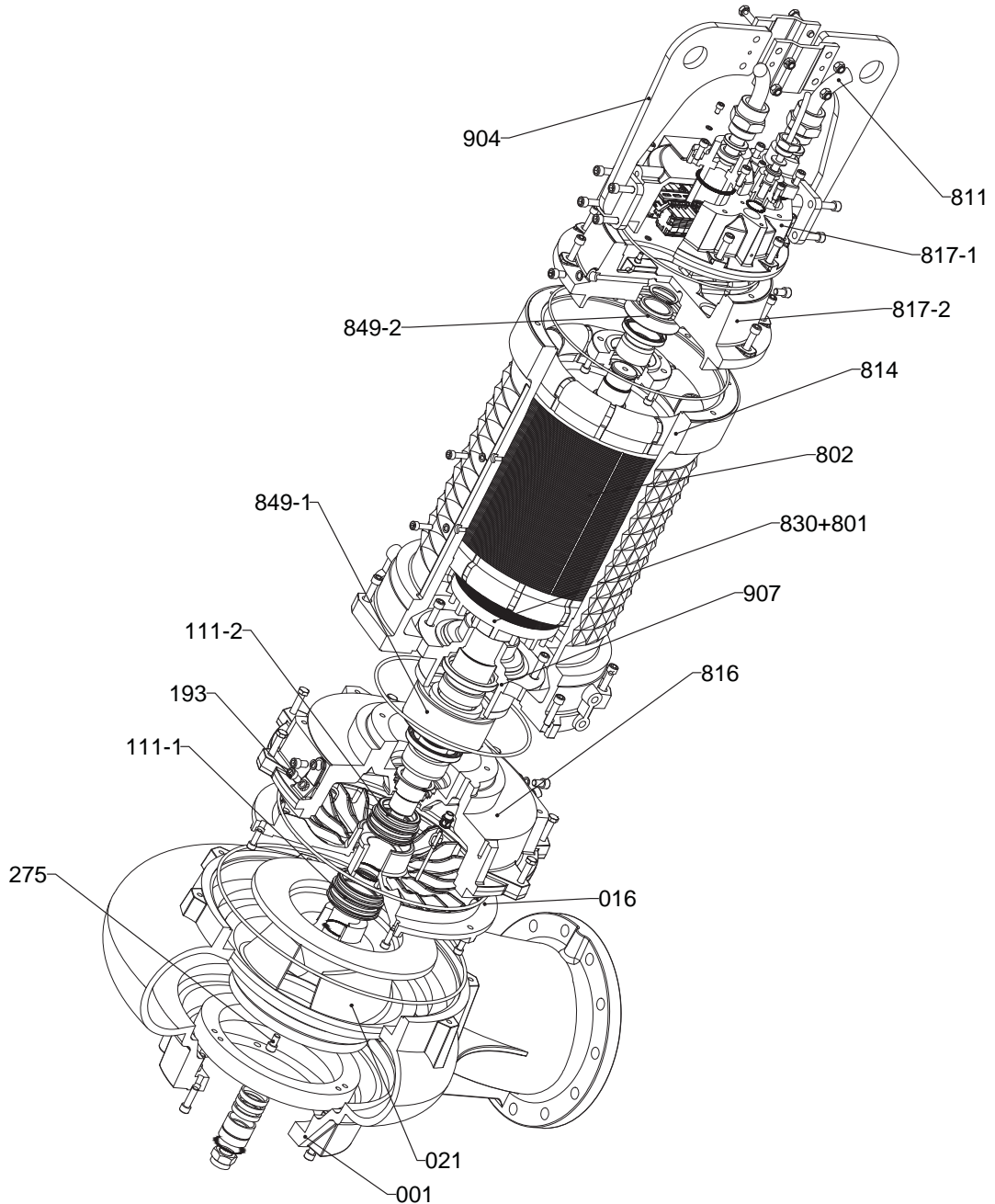
| N°    | PART NAME             | MATERIAL                      | Q.TY | N°    | PART NAME             | MATERIAL             | Q.TY |
|-------|-----------------------|-------------------------------|------|-------|-----------------------|----------------------|------|
| 001   | CASING                | CAST IRON EN-GJL-250          | 1    | 814   | MOTOR FRAME           | CAST IRON EN-GJL-250 | 1    |
| 016   | MECHANICAL SEAL COVER | CAST IRON EN-GJL-250          | 1    | 816   | POWER SIDE BRACKET    | CAST IRON EN-GJL-250 | 1    |
| 021   | IMPELLER              | DUCTILE IRON GS400 UNI-EN1563 | 1    | 817-1 | OPPOSITE SIDE BRACKET | CAST IRON EN-GJL-250 | 1    |
| 111-1 | MECHANICAL SEAL       | -                             | 1    | 817-2 | OPPOSITE SIDE BRACKET | CAST IRON EN-GJL-250 | 1    |
| 111-2 | MECHANICAL SEAL       | -                             | 1    | 830   | SHAFT                 | AISI 420B            | 1    |
| 193   | OIL PLUG              | NBR / STAINLESS STEEL         | 1    | 849-1 | BALL BEARING          | -                    | 1    |
| 275   | IMPELLER BOLT         | CLASS A2 AISI 304             | 1    | 849-2 | BALL BEARING          | -                    | 1    |
| 801   | ROTOR                 | -                             | 1    | 904   | LIFTING HANGER        | STEEL                | 2    |
| 802   | STATOR                | -                             | 1    | 907   | BEARING COVER         | CAST IRON EN-GJL-250 | 1    |
| 811   | SUBMERSIBLE CABLE     | -                             | 1    |       |                       |                      |      |

200 DRD ( 6.0 ÷ 48.0 kW )



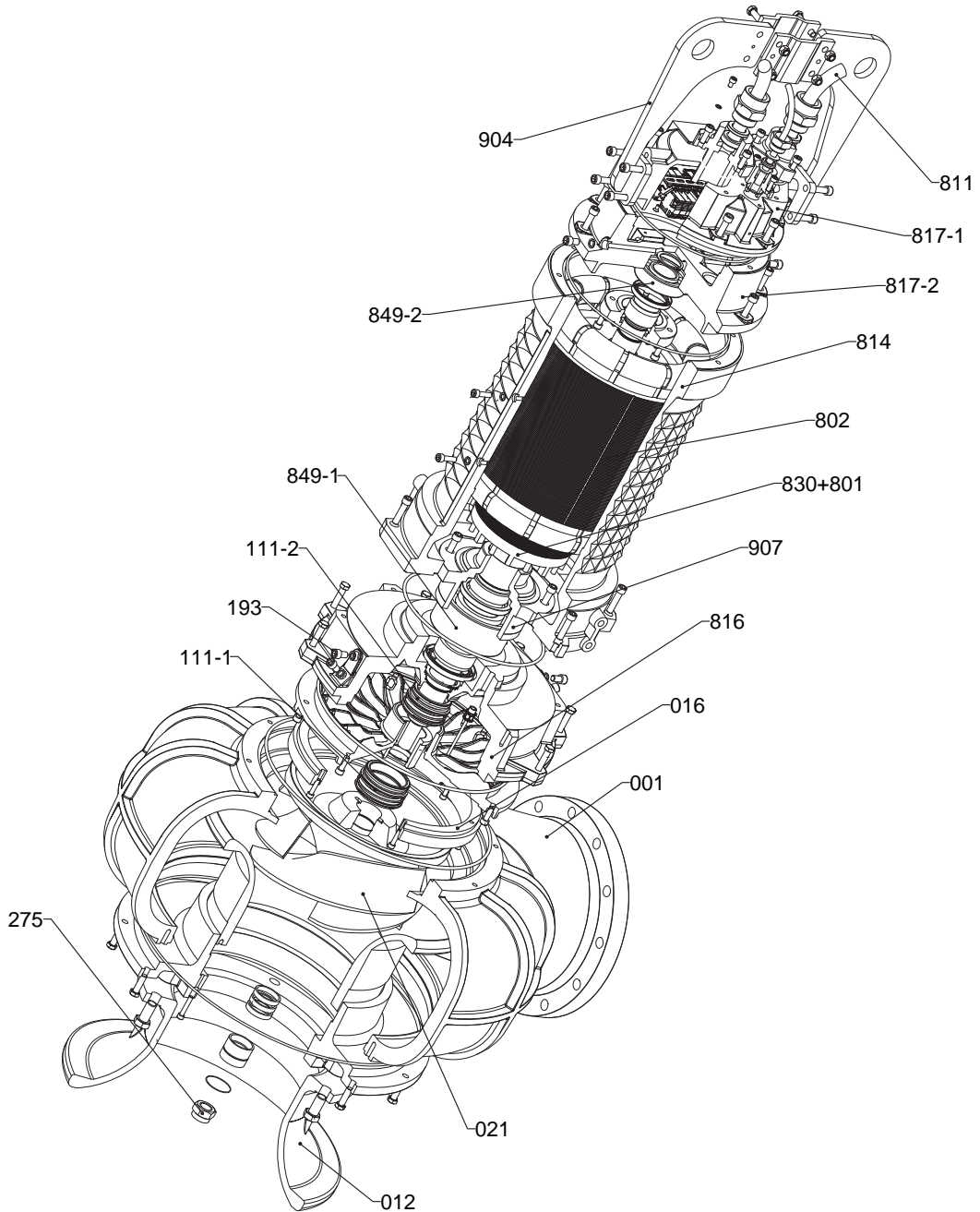
| N°    | PART NAME             | MATERIAL                      | Q.TY | N°    | PART NAME             | MATERIAL             | Q.TY |
|-------|-----------------------|-------------------------------|------|-------|-----------------------|----------------------|------|
| 001   | CASING                | CAST IRON EN-GJL-250          | 1    | 814   | MOTOR FRAME           | CAST IRON EN-GJL-250 | 1    |
| 016   | MECHANICAL SEAL COVER | CAST IRON EN-GJL-250          | 1    | 816   | POWER SIDE BRACKET    | CAST IRON EN-GJL-250 | 1    |
| 021   | IMPELLER              | DUCTILE IRON GS400 UNI-EN1563 | 1    | 817-1 | OPPOSITE SIDE BRACKET | CAST IRON EN-GJL-250 | 1    |
| 111-1 | MECHANICAL SEAL       | -                             | 1    | 817-2 | OPPOSITE SIDE BRACKET | CAST IRON EN-GJL-250 | 1    |
| 111-2 | MECHANICAL SEAL       | -                             | 1    | 830   | SHAFT                 | AISI 420B            | 1    |
| 193   | OIL PLUG              | NBR / STAINLESS STEEL         | 1    | 849-1 | BALL BEARING          | -                    | 1    |
| 275   | IMPELLER BOLT         | CLASS A2 AISI 304             | 1    | 849-2 | BALL BEARING          | -                    | 1    |
| 801   | ROTOR                 | -                             | 1    | 904   | LIFTING HANGER        | STEEL                | 2    |
| 802   | STATOR                | -                             | 1    | 907   | BEARING COVER         | CAST IRON EN-GJL-250 | 1    |
| 811   | SUBMERSIBLE CABLE     | -                             | 1    |       |                       |                      |      |

**250 DRD ( 12.4 ÷ 85.0 kW )**



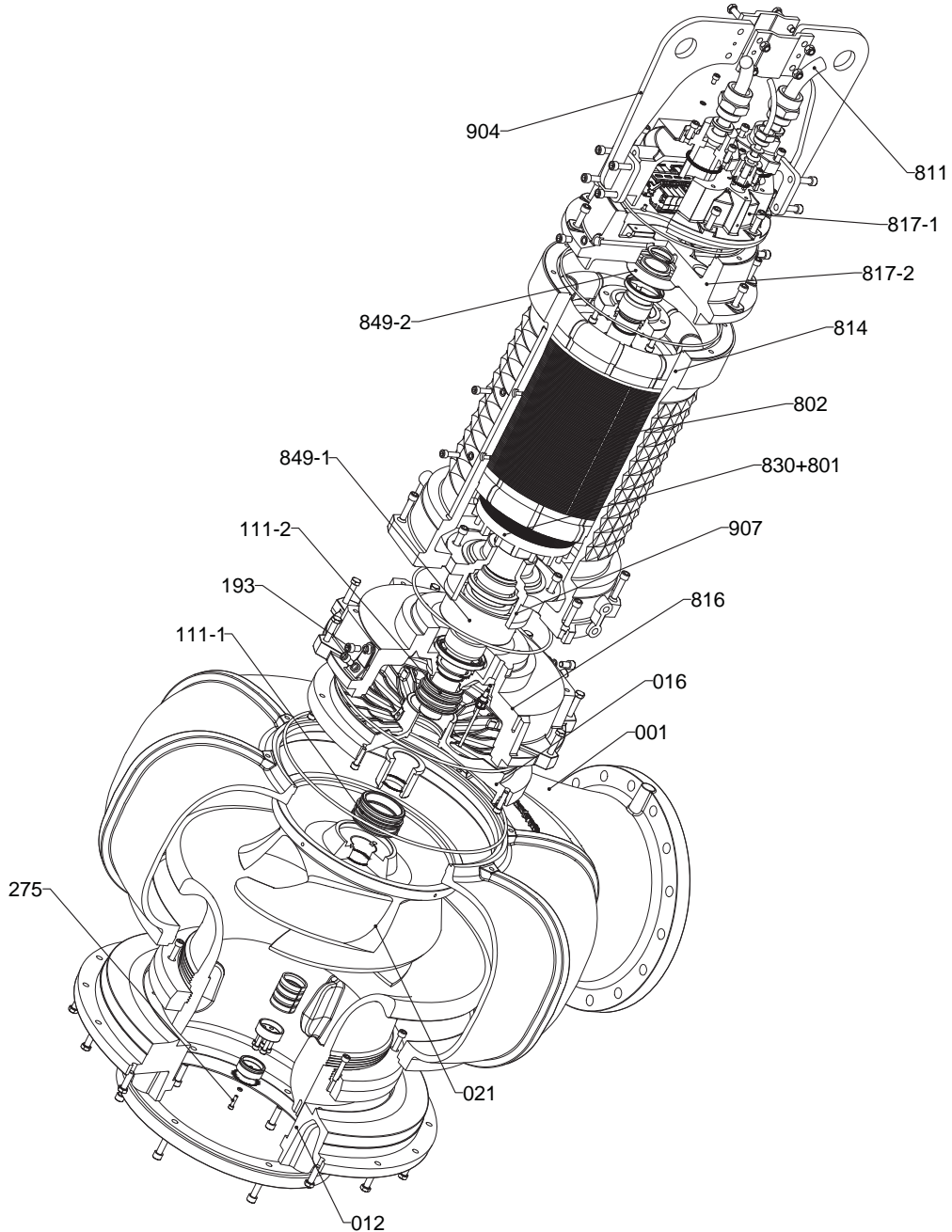
| N°    | PART NAME             | MATERIAL                      | Q.TY | N°    | PART NAME             | MATERIAL             | Q.TY |
|-------|-----------------------|-------------------------------|------|-------|-----------------------|----------------------|------|
| 001   | CASING                | CAST IRON EN-GJL-250          | 1    | 814   | MOTOR FRAME           | CAST IRON EN-GJL-250 | 1    |
| 016   | MECHANICAL SEAL COVER | CAST IRON EN-GJL-250          | 1    | 816   | POWER SIDE BRACKET    | CAST IRON EN-GJL-250 | 1    |
| 021   | IMPELLER              | DUCTILE IRON GS400 UNI-EN1563 | 1    | 817-1 | OPPOSITE SIDE BRACKET | CAST IRON EN-GJL-250 | 1    |
| 111-1 | MECHANICAL SEAL       | -                             | 1    | 817-2 | OPPOSITE SIDE BRACKET | CAST IRON EN-GJL-250 | 1    |
| 111-2 | MECHANICAL SEAL       | -                             | 1    | 830   | SHAFT                 | AISI 420B            | 1    |
| 193   | OIL PLUG              | NBR / STAINLESS STEEL         | 1    | 849-1 | BALL BEARING          | -                    | 1    |
| 275   | IMPELLER BOLT         | CLASS A2 AISI 304             | 1    | 849-2 | BALL BEARING          | -                    | 1    |
| 801   | ROTOR                 | -                             | 1    | 904   | LIFTING HANGER        | STEEL                | 2    |
| 802   | STATOR                | -                             | 1    | 907   | BEARING COVER         | CAST IRON EN-GJL-250 | 1    |
| 811   | SUBMERSIBLE CABLE     | -                             | 1    |       |                       |                      |      |

300 DRD ( 21.8 ÷ 65.0 kW )



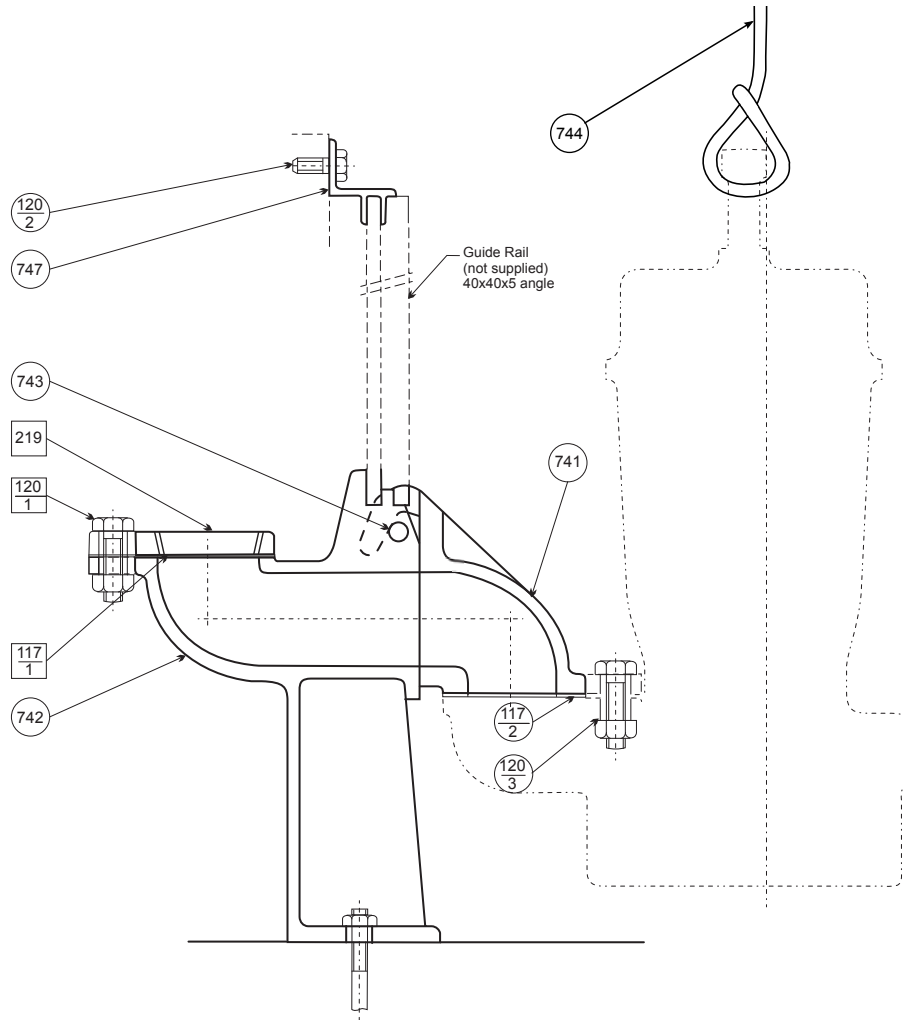
| N°    | PART NAME             | MATERIAL                      | Q.TY | N°    | PART NAME             | MATERIAL             | Q.TY |
|-------|-----------------------|-------------------------------|------|-------|-----------------------|----------------------|------|
| 001   | CASING                | CAST IRON EN-GJL-250          | 1    | 814   | MOTOR FRAME           | CAST IRON EN-GJL-250 | 1    |
| 016   | MECHANICAL SEAL COVER | CAST IRON EN-GJL-250          | 1    | 816   | POWER SIDE BRACKET    | CAST IRON EN-GJL-250 | 1    |
| 021   | IMPELLER              | DUCTILE IRON GS400 UNI-EN1563 | 1    | 817-1 | OPPOSITE SIDE BRACKET | CAST IRON EN-GJL-250 | 1    |
| 111-1 | MECHANICAL SEAL       | -                             | 1    | 817-2 | OPPOSITE SIDE BRACKET | CAST IRON EN-GJL-250 | 1    |
| 111-2 | MECHANICAL SEAL       | -                             | 1    | 830   | SHAFT                 | AISI 420B            | 1    |
| 193   | OIL PLUG              | NBR / STAINLESS STEEL         | 1    | 849-1 | BALL BEARING          | -                    | 1    |
| 275   | IMPELLER BOLT         | CLASS A2 AISI 304             | 1    | 849-2 | BALL BEARING          | -                    | 1    |
| 801   | ROTOR                 | -                             | 1    | 904   | LIFTING HANGER        | STEEL                | 2    |
| 802   | STATOR                | -                             | 1    | 907   | BEARING COVER         | CAST IRON EN-GJL-250 | 1    |
| 811   | SUBMERSIBLE CABLE     | -                             | 1    | 012   | SUCTION COVER         | CAST IRON EN-GJL-250 | 1    |

350 DRD ( 40.0 ÷ 45.0 Kw )



| N°    | PART NAME             | MATERIAL                      | Q.TY | N°    | PART NAME             | MATERIAL             | Q.TY |
|-------|-----------------------|-------------------------------|------|-------|-----------------------|----------------------|------|
| 001   | CASING                | CAST IRON EN-GJL-250          | 1    | 814   | MOTOR FRAME           | CAST IRON EN-GJL-250 | 1    |
| 016   | MECHANICAL SEAL COVER | CAST IRON EN-GJL-250          | 1    | 816   | POWER SIDE BRACKET    | CAST IRON EN-GJL-250 | 1    |
| 021   | IMPELLER              | DUCTILE IRON GS400 UNI-EN1563 | 1    | 817-1 | OPPOSITE SIDE BRACKET | CAST IRON EN-GJL-250 | 1    |
| 111-1 | MECHANICAL SEAL       | -                             | 1    | 817-2 | OPPOSITE SIDE BRACKET | CAST IRON EN-GJL-250 | 1    |
| 111-2 | MECHANICAL SEAL       | -                             | 1    | 830   | SHAFT                 | AISI 420B            | 1    |
| 193   | OIL PLUG              | NBR / STAINLESS STEEL         | 1    | 849-1 | BALL BEARING          | -                    | 1    |
| 275   | IMPELLER BOLT         | CLASS A2 AISI 304             | 1    | 849-2 | BALL BEARING          | -                    | 1    |
| 801   | ROTOR                 | -                             | 1    | 904   | LIFTING HANGER        | STEEL                | 2    |
| 802   | STATOR                | -                             | 1    | 907   | BEARING COVER         | CAST IRON EN-GJL-250 | 1    |
| 811   | SUBMERSIBLE CABLE     | -                             | 1    | 012   | SUCTION COVER         | CAST IRON EN-GJL-250 | 1    |

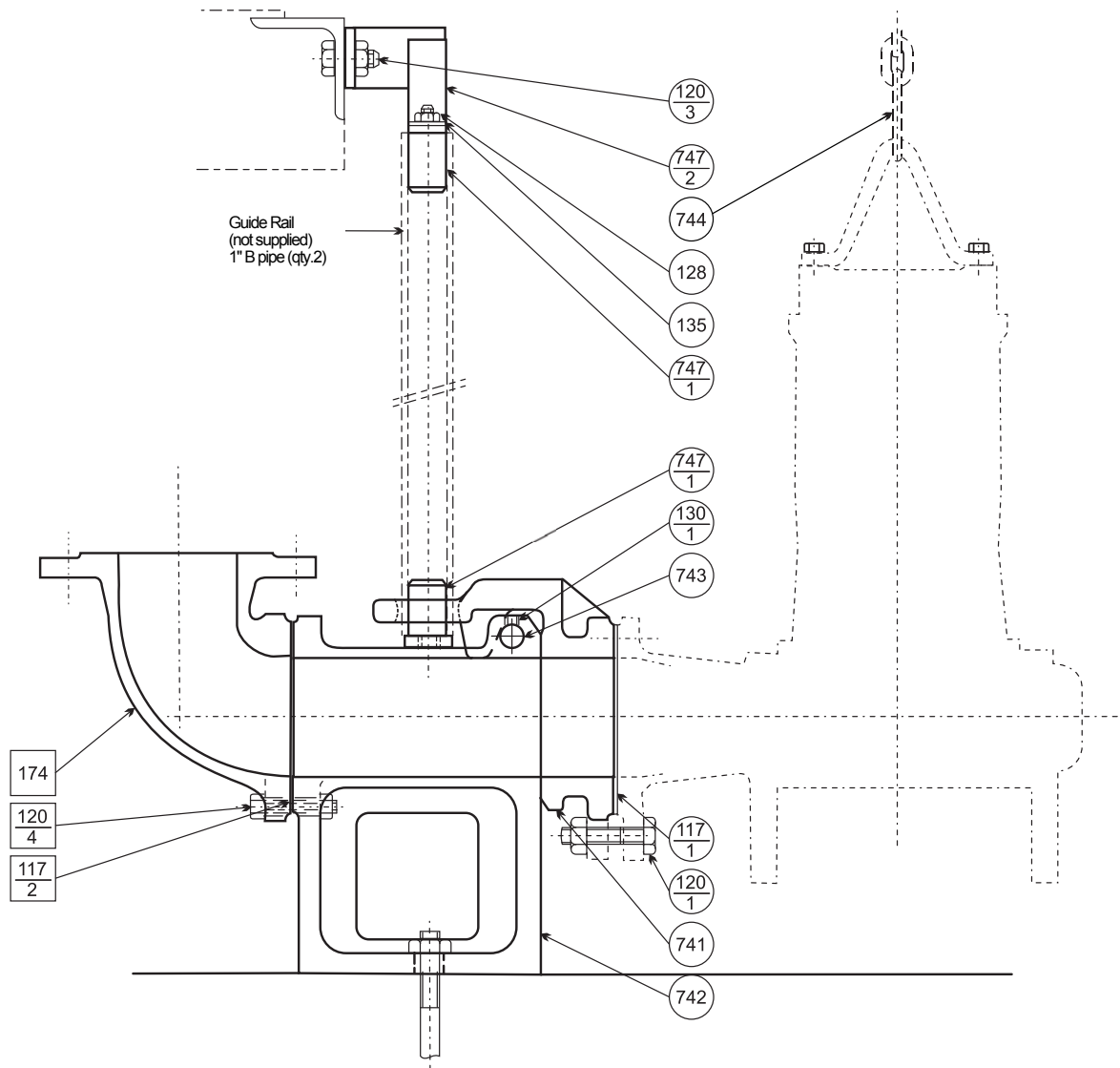
QDC LS50 (Optional)



| N°    | PART.NAME        | MATERIAL                        | Q.TY | N°  | PART.NAME      | MATERIAL                           | Q.TY |
|-------|------------------|---------------------------------|------|-----|----------------|------------------------------------|------|
| 117-1 | Gasket           | NBR Rubber                      | 1    | 741 | Sliding Guide  | Cast iron<br>EN-GHJL-200 - EN 1561 | 1    |
| 117-2 | Gasket           | NBR Rubber                      | 1    | 742 | QDC Body       | Cast iron<br>EN-GHJL-200 - EN 1561 | 1    |
| 120-1 | Bolt&Nut         | AISI 304 Stainless Steel        | 2    | 743 | Suspension Bar | AISI 304 Stainless Steel           | 1    |
| 120-2 | Bolt             | AISI 304 Stainless Steel        | 2    | 744 | Rope           | -                                  | 1    |
| 120-3 | Bolt             | AISI 304 Stainless Steel        | 2    | 747 | Guide Support  | Steel                              | 1    |
| 219   | Companion Flange | Cast iron EN-GHJL-200 - EN 1561 | 1    |     |                |                                    |      |

Note: Those parts with item number indicated in a  are supplied with the pump.

QDC LM50, LM65, LM80 (Optional)

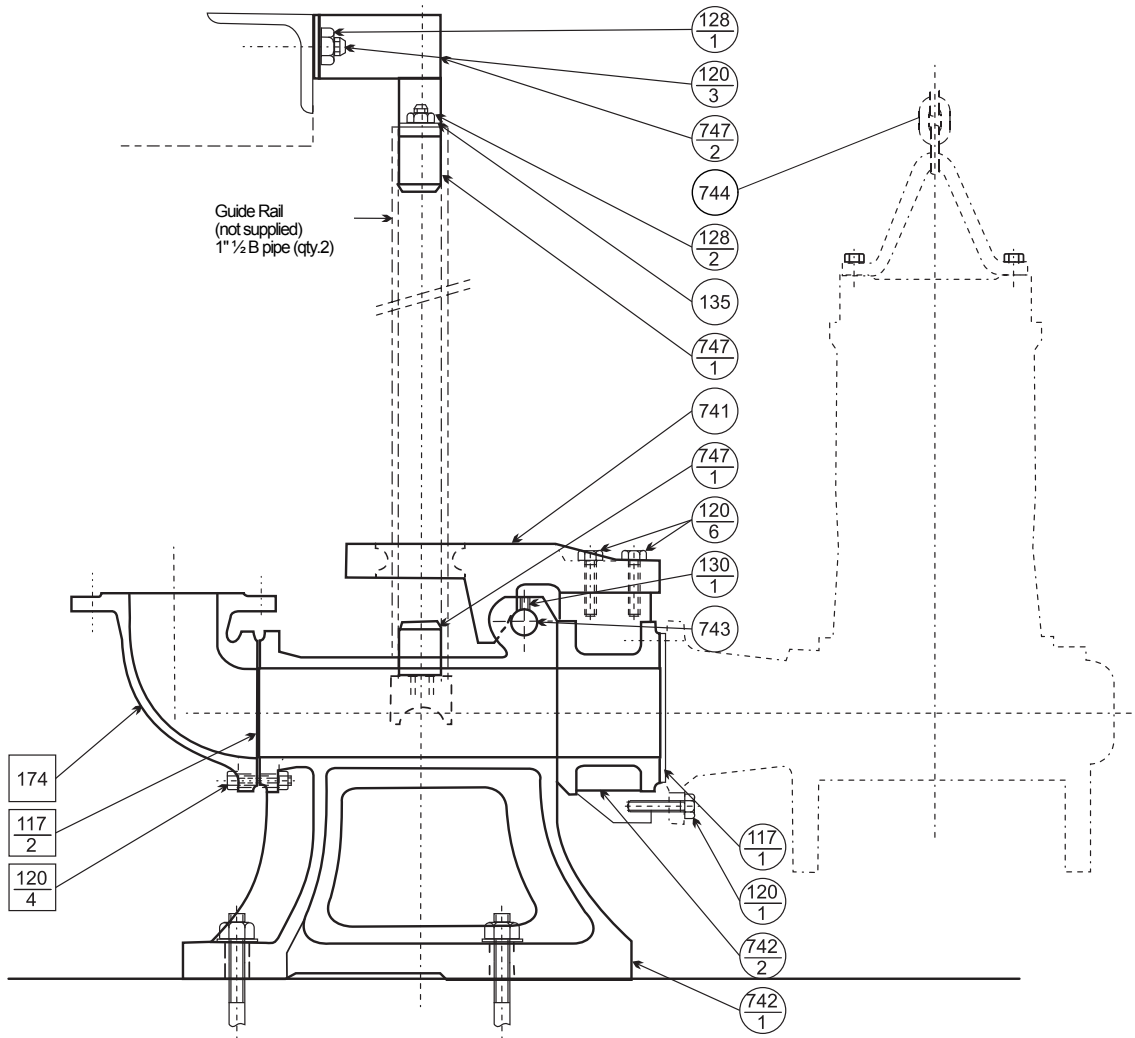


| N°    | PART.NAME  | MATERIAL                 | Q.TY | N°    | PART.NAME      | MATERIAL                           | Q.TY |
|-------|------------|--------------------------|------|-------|----------------|------------------------------------|------|
| 117-1 | Gasket     | NBR Rubber               | 1    | 135   | Washer         | AISI 304 Stainless Steel           | 2    |
| 117-2 | Gasket     | NBR Rubber               | 1    | 174   | Discharge Bend | Cast iron<br>EN-GHJL-200 - EN 1561 | 1    |
| 117-3 | Gasket     | NBR Rubber               | 1    | 741   | Sliding Guide  | Cast iron<br>EN-GHJL-200 - EN 1563 | 1    |
| 120-1 | Bolt & Nut | AISI 304 Stainless Steel | 4    | 742   | QDC Body       | Cast iron<br>EN-GHJL-200 - EN 1564 | 1    |
| 120-3 | Bolt & Nut | AISI 304 Stainless Steel | 2    | 743   | Suspension Bar | AISI 304 Stainless Steel           | 1    |
| 120-4 | Bolt & Nut | AISI 304 Stainless Steel | 4    | 744   | Chain          | Steel                              | 1    |
| 120-5 | Bolt & Nut | AISI 304 Stainless Steel | 4or8 | 747-1 | Guide Pin      | Steel                              | 4    |
| 128   | Nut        | AISI 304 Stainless Steel | 2    | 747-2 | Guide Support  | Steel                              | 1    |
| 130-1 | Set Screw  | AISI 304 Stainless Steel | 1    |       |                |                                    |      |

Note: Those parts with item number indicated in a  are supplied with the pump.



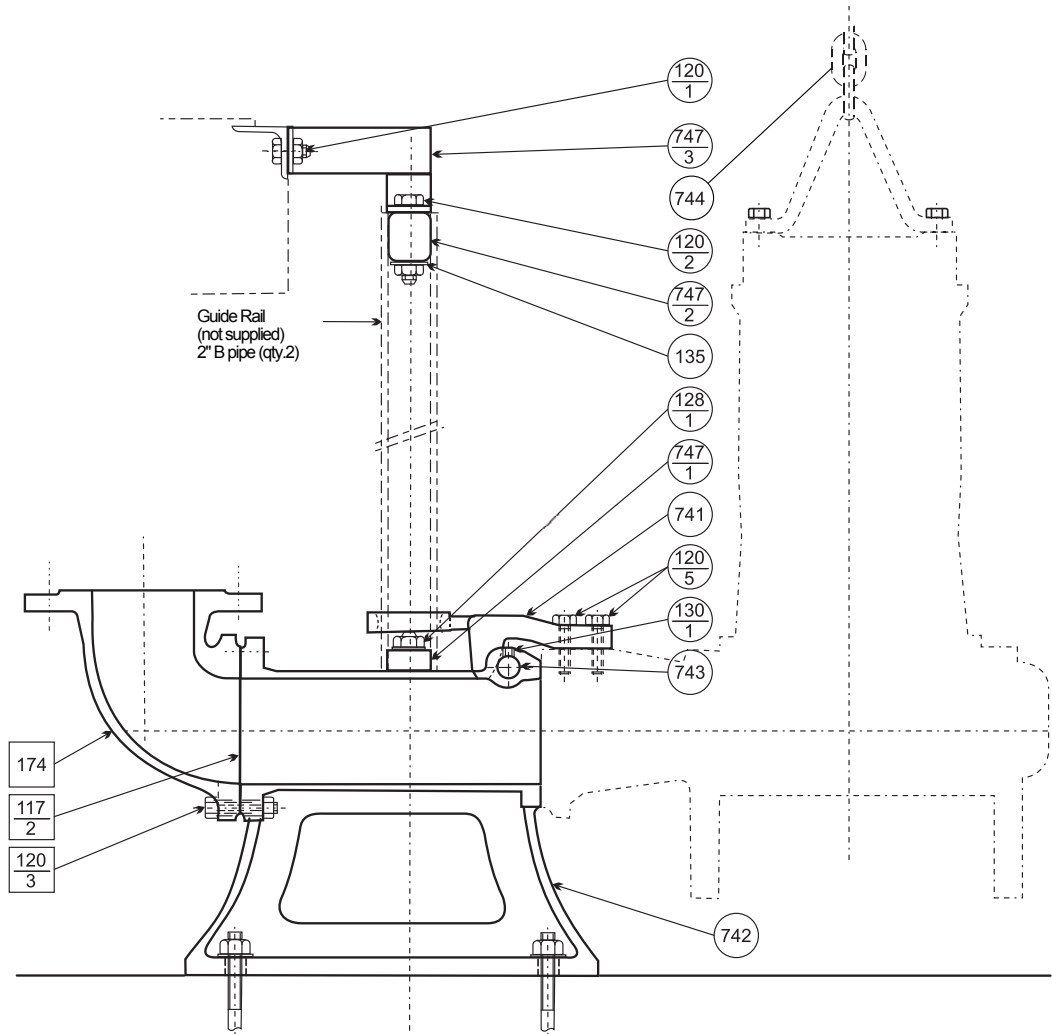
QDC LL80, LL100 (Optional)



| N°    | PART.NAME  | MATERIAL                 | Q.TY | N°    | PART.NAME      | MATERIAL  | Q.TY |
|-------|------------|--------------------------|------|-------|----------------|---|------|
| 117-1 | Gasket     | NBR Rubber               | 1    | 130-1 | Set Screw      | AISI 304 Stainless Steel                              | 1    |
| 117-2 | Gasket     | NBR Rubber               | 1    | 135   | Washer         | AISI 304 Stainless Steel                              | 2    |
| 117-3 | Gasket     | NBR Rubber               | 1    | 174   | Discharge Bend | Cast iron<br>EN-GHJL-200 - EN 1561                    | 1    |
| 120-1 | Bolt       | AISI 304 Stainless Steel | 4    | 741   | Sliding Guide  | Spheroidal graphite cast iron<br>EN-GJS-400 - EN 1563 | 1    |
| 120-3 | Bolt       | AISI 304 Stainless Steel | 2    | 742-1 | QDC Body       | Cast iron<br>EN-GHJL-200 - EN 1564                    | 1    |
| 120-4 | Bolt & Nut | AISI 304 Stainless Steel | 4    | 742-2 | QDC Flange     | Cast iron<br>EN-GHJL-200 - EN 1564                    | 1    |
| 120-5 | Bolt & Nut | AISI 304 Stainless Steel | 4or8 | 743   | Suspension Bar | AISI 304 Stainless Steel                              | 1    |
| 120-6 | Bolt       | AISI 304 Stainless Steel | 4    | 744   | Chain          | Steel   | 1    |
| 128-1 | Nut        | AISI 304 Stainless Steel | 2    | 747-1 | Guide Pin      | Steel   | 4    |
| 128-2 | Nut        | AISI 304 Stainless Steel | 2    | 747-2 | Guide Support  | Steel   | 1    |

Note: Those parts with item number indicated in a  are supplied with the pump.

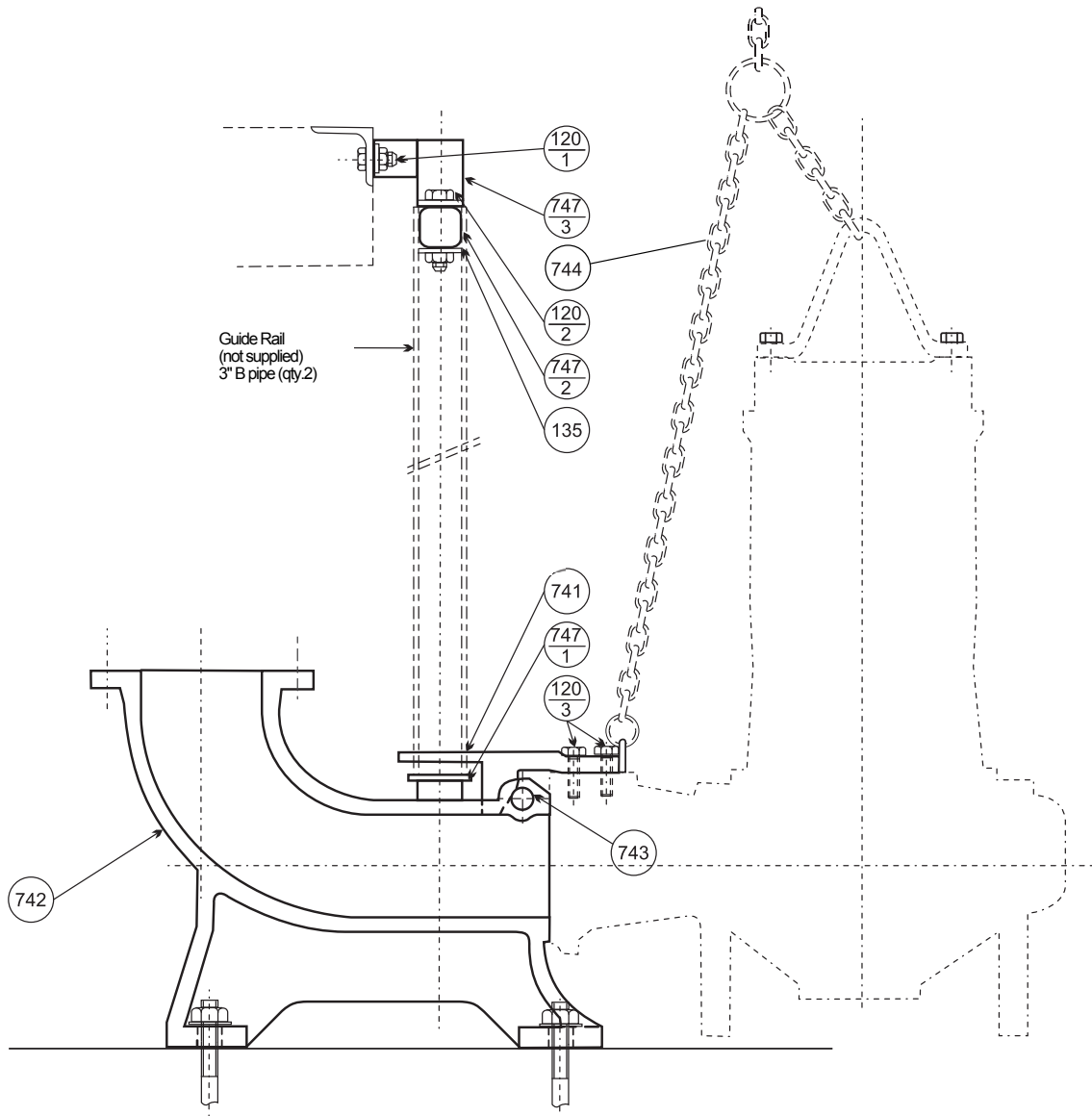
QDC LL125, LL150 (Optional)



| N°    | PART.NAME  | MATERIAL                 | Q.TY | N°    | PART.NAME      | MATERIAL   | Q.TY |
|-------|------------|--------------------------|------|-------|----------------|--|------|
| 117-2 | Gasket     | NBR Rubber               | 1    | 135   | Washer         | AISI 304 Stainless Steel                           | 2    |
| 117-3 | Gasket     | NBR Rubber               | 1    | 174   | Discharge Bend | Cast iron EN-GHJL-200 - EN 1561                    | 1    |
| 120-1 | Bolt & Nut | AISI 304 Stainless Steel | 2    | 741   | Sliding Guide  | Spheroidal graphite cast iron EN-GJS-400 - EN 1563 | 1    |
| 120-2 | Bolt & Nut | AISI 304 Stainless Steel | 2    | 742   | QCD Body       | Cast iron EN-GHJL-200 - EN 1561                    | 1    |
| 120-3 | Bolt & Nut | AISI 304 Stainless Steel | 4    | 743   | Suspension Bar | AISI 304 Stainless Steel                           | 1    |
| 120-4 | Bolt & Nut | AISI 304 Stainless Steel | 8    | 744   | Chain          | Steel  | 1    |
| 120-5 | Bolt       | AISI 304 Stainless Steel | 4    | 747-1 | Guide Pin      | Steel  | 2    |
| 128-1 | Nut        | AISI 304 Stainless Steel | 2    | 747-2 | Guide Pin      | NR Rubber  | 2    |
| 130-1 | Set Screw  | AISI 304 Stainless Steel | 1    | 747-3 | Guide Support  | Steel  | 1    |

Note: Those parts with item number indicated in a □ are supplied with the pump.

QDC LL250, 300 (Optional)



| N°    | PART.NAME     | MATERIAL  | Q.TY     | N°    | PART.NAME      | MATERIAL                           | Q.TY |
|-------|---------------|---|----------|-------|----------------|------------------------------------|------|
| 117-3 | Gasket        | NBR Rubber  | 1        | 742   | QCD Body       | Cast iron<br>EN-GHJL-200 - EN 1561 | 1    |
| 120-1 | Bolt & Nut    | AISI 304 Stainless Steel                              | 2        | 743   | Suspension Bar | AISI 304 Stainless Steel           | 1    |
| 120-2 | Bolt & Nut    | Steel   | 2        | 744   | Chain          | Steel                              | 1    |
| 120-3 | Bolt          | AISI 304 Stainless Steel                              | 4        | 747-1 | Pipe Support   | AISI 304 Stainless Steel           | 1    |
| 120-4 | Bolt & Nut    | AISI 304 Stainless Steel                              | 12 or 16 | 747-2 | Guide Pin      | NR Rubber                          | 2    |
| 135   | Washer        | Steel   | 2        | 747-3 | Guide Support  | Steel                              | 1    |
| 741   | Sliding Guide | Spheroidal graphite cast iron<br>EN-GJS-400 - EN 1563 | 1        |       |                |                                    |      |

Note: Those parts with item number indicated in a  are supplied with the pump.

**MECHANICAL SEALS: TYPE A(20÷45), EAN(30÷45)**

| Type A (-20, -25, -30, -35) |               |                 |
|-----------------------------|---------------|-----------------|
| No.                         | Part Name     | Material        |
| 1                           | Packing       | NBR Rubber      |
| 2                           | Floating Ring | Ceramic         |
| 3                           | Seal Ring     | Carbon Graphite |
| 4                           | Spring        | Aisi 304        |
| 5                           | Seal Ring     | Silicon Carbide |
| 6                           | Floating Ring | Silicon Carbide |
| 7                           | Packing       | NBR Rubber      |

| Type A (-40, -45) |               |                 |
|-------------------|---------------|-----------------|
| No.               | Part Name     | Material        |
| 1                 | Packing       | NBR Rubber      |
| 2                 | Seal Ring     | Carbon Graphite |
| 3                 | Floating Ring | Ceramic         |
| 4                 | Snap Ring     | Spring Steel    |
| 5                 | Snap Ring     | Spring Steel    |
| 6                 | Floating Ring | Silicon Carbide |
| 7                 | Seal Ring     | Silicon Carbide |
| 8                 | Spring        | Aisi 304        |

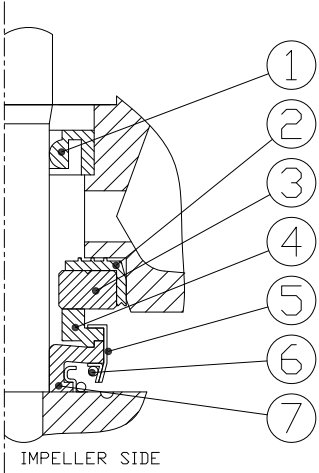
| Type EAN (-30, -40, -45) |               |                 |
|--------------------------|---------------|-----------------|
| No.                      | Part Name     | Material        |
| 1                        | Packing       | NBR Rubber      |
| 2                        | Floating Ring | Ceramic         |
| 3                        | Seal Ring     | Carbon Graphite |
| 4                        | Spring        | Aisi 304        |
| 5                        | Seal Ring     | Silicon Carbide |
| 6                        | Floating Ring | Silicon Carbide |
| 7                        | Packing       | NBR Rubber      |

**MECHANICAL SEALS: TYPE EAN-60**

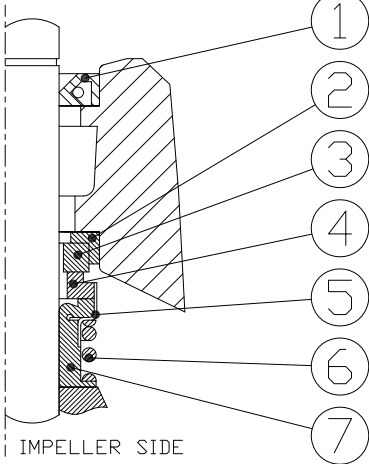
| Type A-60 |                 |                 |
|-----------|-----------------|-----------------|
| No.       | Part Name       | Material        |
| 1         | Parallel Pin    | AISI 316        |
| 2         | O - Ring        | NBR Rubber      |
| 3         | Mating Ring     | Silicon Carbide |
| 4         | Seal Ring       | Silicon Carbide |
| 5         | Bellows         | NBR Rubber      |
| 6         | Case            | AISI 304        |
| 7         | Case            | AISI 304        |
| 8         | Drive Ring      | AISI 304        |
| 9         | Spring          | AISI 304        |
| 10        | Spring Retainer | AISI 304        |
| 11        | Packing         | NBR Rubber      |
| 12        | Mating Ring     | Ceramics        |
| 13        | Seal Rings      | Carbon          |
| 14        | Bellows         | NBR Rubber      |
| 15        | Case            | AISI 304        |
| 16        | Case            | AISI 304        |
| 17        | Drive Ring      | AISI 304        |
| 18        | Spring          | AISI 304        |
| 19        | Spring Retainer | AISI 304        |

**MECHANICAL SEALS**

| <b>IEC63</b> |             |                |
|--------------|-------------|----------------|
| No.          | Part Name   | Material       |
| 1            | Lip seal    | NBR            |
| 2            | Paking      | NBR            |
| 3            | Mating Ring | Alumina        |
| 4            | Seal Ring   | Carbon PAC M3X |
| 5            | Case        | AISI 304       |
| 6            | Spring      | AISI 304       |
| 7            | Bellows     | NBR            |
|              |             |                |
|              |             |                |
|              |             |                |
|              |             |                |



| <b>IEC72 –IEC71</b> |             |                 |
|---------------------|-------------|-----------------|
| No.                 | Part Name   | Material        |
| 1                   | Lip seal    | NBR             |
| 2                   | Paking      | NBR             |
| 3                   | Mating Ring | Silicon Carbide |
| 4                   | Seal Ring   | Silicon Carbide |
| 5                   | Case        | AISI 316        |
| 6                   | Spring      | AISI 316        |
| 7                   | Bellows     | NBR             |
|                     |             |                 |
|                     |             |                 |
|                     |             |                 |
|                     |             |                 |

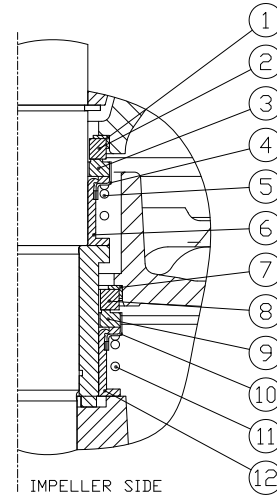


| IEC90 – IEC100 |             |                          |
|----------------|-------------|--------------------------|
| No.            | Part Name   | Material                 |
| 1              | Packing     | NBR                      |
| 2              | Mating ring | Alumina                  |
| 3              | Seal ring   | Resin-impregnated Carbon |
| 4              | Case        | AISI 304                 |
| 5              | Bellows     | NBR                      |
| 6              | Spring      | AISI 304                 |
| 7              | Packing     | NBR                      |
| 8              | Mating ring | Silicon carbide          |
| 9              | Seal ring   | Silicon carbide          |
| 10             | Case        | AISI 316                 |
| 11             | Spring      | AISI 316                 |
| 12             | Bellows     | NBR                      |

| IEC112 – IEC132 |             |                          |
|-----------------|-------------|--------------------------|
| No.             | Part Name   | Material                 |
| 1               | Packing     | NBR                      |
| 2               | Mating ring | Alumina                  |
| 3               | Seal ring   | Resin-impregnated Carbon |
| 4               | Case        | AISI 304                 |
| 5               | Bellows     | NBR                      |
| 6               | Spring      | AISI 304                 |
| 7               | Packing     | NBR                      |
| 8               | Mating ring | Silicon carbide          |
| 9               | Seal ring   | Silicon carbide          |
| 10              | Case        | AISI 316                 |
| 11              | Spring      | AISI 316                 |
| 12              | Bellows     | NBR                      |

**IEC60-180-200 – IEC250**

| No. | Part Name   | Material        |
|-----|-------------|-----------------|
| 1   | Packing     | NBR             |
| 2   | Mating ring | Ceramic 96%     |
| 3   | Seal ring   | Carbon          |
| 4   | Case        | AISI 316        |
| 5   | Spring      | AISI 316        |
| 6   | Bellows     | NBR             |
| 7   | Packing     | NBR             |
| 8   | Mating ring | Silicon carbide |
| 9   | Seal ring   | Silicon carbide |
| 10  | Case        | AISI 316        |
| 11  | Spring      | AISI 316        |
| 12  | Bellows     | NBR             |





**MECHANICAL SEALS TABLE**

| <b>DS</b> |          |             |                      |               |          |        |
|-----------|----------|-------------|----------------------|---------------|----------|--------|
| Size      | Model    | Output [kW] | Mechanical Seal Type | Oil Q.ty [cc] | Bearings |        |
|           |          |             |                      |               | Bottom   | Top    |
| 50        | 50DS51.5 | 1,5         | A-20                 | 650           | 6205ZZ   | 6203ZZ |
|           | 50DS52.2 | 2,2         | A-30                 | 1180          | 6307ZZ   | 6304ZZ |
|           | 50DS53.7 | 3,7         |                      |               | 6308ZZ   |        |
| 65        | 65DS51.5 | 1,5         | A-20                 | 650           | 6205ZZ   | 6203ZZ |
| 80        | 80DS52.2 | 2,2         | A-30                 | 1180          | 6307ZZ   | 6304ZZ |
|           | 80DS53.7 | 3,7         |                      |               | 6308ZZ   |        |
|           | 100      | 100DS55.5   | 5,5                  | A-35          | 1700     | 6308ZZ |
| 100DS57.5 |          | 7,5         | 6309ZZ               |               |          |        |

| <b>DVS</b> |           |             |                      |               |          |        |
|------------|-----------|-------------|----------------------|---------------|----------|--------|
| Size       | Model     | Output [kW] | Mechanical Seal Type | Oil Q.ty [cc] | Bearings |        |
|            |           |             |                      |               | Bottom   | Top    |
| 50         | 50DVS15.5 | 1,5         | A-20                 | 650           | 6205ZZ   | 6203ZZ |
| 65         | 65DVS51.5 | 1,5         |                      |               |          |        |
|            | 65DVS52.2 | 2,2         | A-30                 | 1380          | 6307ZZ   | 6304ZZ |
|            | 65DVS53.7 | 3,7         |                      |               | 6308ZZ   |        |
| 80         | 80DVS51.5 | 1,5         | A-20                 | 650           | 6205ZZ   | 6203ZZ |
|            | 80DVS52.2 | 2,2         | A-30                 | 1380          | 6307ZZ   | 6304ZZ |
|            | 80DVS53.7 | 3,7         |                      |               | 6308ZZ   |        |

| <b>DML</b> |               |             |                      |               |          |        |
|------------|---------------|-------------|----------------------|---------------|----------|--------|
| Size       | Model         | Output [kW] | Mechanical Seal Type | Oil Q.ty [cc] | Bearings |        |
|            |               |             |                      |               | Bottom   | Top    |
| 80         | 80DML(V)52.2  | 2.2         | EAN-30               | 1000          | 5307ZZ   | 6205ZZ |
|            | 80DML(V)53.7  | 3.7         |                      |               |          |        |
| 100        | 100DML53.7    | 3.7         | EAN-40               | 1570          | 5309ZZ   | 6306ZZ |
|            | 100DML(V)55.5 | 5.5         |                      |               |          |        |
|            | 100DML(V)57.5 | 7.5         |                      |               |          |        |
|            | 100DML(V)511  | 11          | EAN-45               | 2900          | 5310ZZ   | 6308ZZ |
|            | 100DML(V)515  | 15          |                      |               |          |        |
|            | 100DML(V)522  | 22          |                      |               |          |        |
| 150        | 150DML55.5    | 5.5         | EAN-40               | 1570          | 5309ZZ   | 6306ZZ |
|            | 150DML57.5    | 7.5         |                      |               |          |        |
|            | 150DML511     | 11          | EAN-45               | 2900          | 5310ZZ   | 6308ZZ |
|            | 150DML515     | 15          |                      |               |          |        |
|            | 150DML522     | 22          |                      |               |          |        |

| <b>DMLV</b> |             |             |                      |               |          |        |
|-------------|-------------|-------------|----------------------|---------------|----------|--------|
| Size        | Model       | Output [kW] | Mechanical Seal Type | Oil Q.ty [cc] | Bearings |        |
|             |             |             |                      |               | Bottom   | Top    |
| 80          | 80DMLV52.2  | 2.2         | EAN-30               | 1100          | 5307ZZ   | 6205ZZ |
|             | 80DMLV53.7  | 3.7         |                      |               |          |        |
| 100         | 100DMLV55.5 | 5.5         | EAN-40               | 1780          | 5309ZZ   | 6306ZZ |
|             | 100DMLV57.5 | 7.5         |                      |               |          |        |
|             | 100DMLV511  | 11          | EAN-45               | 3380          | 5310ZZ   | 6308ZZ |
|             | 100DMLV515  | 15          |                      |               |          |        |
|             | 100DMLV522  | 22          |                      |               |          |        |

| <b>DL, DL W/C</b> |                 |             |                      |               |          |        |
|-------------------|-----------------|-------------|----------------------|---------------|----------|--------|
| Size              | Model           | Output [kW] | Mechanical Seal Type | Oil Q.ty [cc] | Bearings |        |
|                   |                 |             |                      |               | Bottom   | Top    |
| 65                | 65DL51.5(W/C)   | 1.5         | A-25                 | 920           | 6306ZZ   | 6204ZZ |
| 80                | 80DL51.5(W/C)   | 1.5         |                      |               |          |        |
|                   | 80DL52.2(W/C)   | 2.2         | A-30                 | 1380          | 6307ZZ   | 6205ZZ |
|                   | 80DL53.7(W/C)   | 3.7         |                      |               | 6308ZZ   | 6205ZZ |
|                   | 80DLC55.5       | 5.5         | A-40                 | 2500          | 6309ZZ   | 6306ZZ |
|                   | 80DLC57.5       | 7.5         |                      |               |          |        |
| 100               | 100DL53.7(W/C)  | 3.7         | A-30                 | 1380          | 6308ZZ   | 6205ZZ |
|                   | 100DLB55.5(W/C) | 5.5         |                      |               |          |        |
|                   | 100DLC55.5      | 5.5         | A-40                 | 2500          | 6309ZZ   | 6306ZZ |
|                   | 100DLB57.5(W/C) | 7.5         |                      |               |          |        |
|                   | 100DLC57.5      | 7.5         |                      |               |          |        |
|                   | 100DL511        | 11          | A-45                 | 6200          | 6315ZZ   | 6309ZZ |
|                   | 100DL515        | 15          |                      |               |          |        |
|                   | 100DL518.5      | 18.5        |                      |               |          |        |
| 150               | 150DL55.5       | 5.5         | A-40                 | 2500          | 6309ZZ   | 6306ZZ |
|                   | 150DL57.5       | 7.5         |                      |               |          |        |
|                   | 150DL511        | 11          | A-45                 | 6200          | 6315ZZ   | 6308ZZ |
|                   | 150DL515        | 15          |                      |               |          |        |
|                   | 150DL518.5      | 18.5        |                      |               |          |        |
|                   | 150DL522        | 22          | A-60                 | 8900          | 6315ZZDR | 6310ZZ |
|                   | 150DL530        | 30          |                      |               |          |        |
|                   | 150DL537        | 37          |                      |               |          |        |
|                   | 150DL545        | 45          |                      |               |          |        |
|                   | 200             | 200DL55.5   | 5.5                  | A-40          | 2500     | 6309ZZ |
| 200DL57.5         |                 | 7.5         |                      |               |          |        |
| 200DL511          |                 | 11          | A-45                 | 6200          | 6315ZZ   | 6309ZZ |
| 200DL515          |                 | 15          |                      |               |          |        |
| 200DL518.5        |                 | 18.5        |                      |               |          |        |
| 200DL522          |                 | 22          | A-60                 | 8900          | 6315ZZDR | 6310ZZ |
| 200DL530          |                 | 30          |                      |               |          |        |
| 200DL537          |                 | 37          |                      |               |          |        |
| 200DL545          |                 | 45          |                      |               |          |        |
| 250               |                 | 250DL57.5   | 7.5                  | A-40          | 2500     | 6309ZZ |
|                   | 250DL511        | 11          |                      |               |          |        |
|                   | 250DL515        | 15          | A-45                 | 6200          | 6315ZZ   | 6309ZZ |
|                   | 250DL518.5      | 18.5        |                      |               |          |        |
|                   | 250DL522        | 22          |                      |               |          |        |
|                   | 250DL530        | 30          | A-60                 | 9000          | 6315ZZDR | 6310ZZ |
|                   | 250DL537        | 37          |                      |               |          |        |
|                   | 250DL545        | 45          |                      |               |          |        |
| 300               | 300DL511        | 11          | A-40                 | 3500          | 6313ZZ   | 6308ZZ |
|                   | 300DL515        | 15          |                      |               |          |        |
|                   | 300DL518.5      | 18.5        | A-45                 | 6200          | 6315ZZ   | 6309ZZ |
|                   | 300DL522        | 22          |                      |               |          |        |
|                   | 300DL530        | 30          |                      |               |          |        |
|                   | 300DL537        | 37          | A-60                 | 9000          | 6315ZZDR | 6310ZZ |
|                   | 300DL545        | 45          |                      |               |          |        |

| <b>DSF</b> |                  |                |                            |                   |                    |              |
|------------|------------------|----------------|----------------------------|-------------------|--------------------|--------------|
| Size       | Model            | Output<br>[kW] | Mechanical<br>Seal<br>Type | Oil Q. ty<br>[cc] | Bearings           |              |
|            |                  |                |                            |                   | Bottom             | Top          |
| 40         | 40DSF51,8M (150) | 1.8            | IEC 71                     | 260               | 6304 2RS2/C3       | 6303 2RS1/C3 |
|            | 40DSF51,1M (125) | 1.1            | IEC 71                     | 260               | 6304 2RS2/C3       | 6303 2RS1/C3 |
|            | 40DSF55,7 (192)  | 5.7            | IEC 100                    | 330               | 6306 2RS1/C3       | 6305 2RS1/C3 |
| 65         | 65DSF515,9 (230) | 15.9           | IEC 132                    | 1900              | 3308A-2RS1TN9/MT33 | 6308 2RS     |

| <b>DMLF</b> |                   |                |                            |                   |                        |              |
|-------------|-------------------|----------------|----------------------------|-------------------|------------------------|--------------|
| Size        | Model             | Output<br>[kW] | Mechanical<br>Seal<br>Type | Oil Q. ty<br>[cc] | Bearings               |              |
|             |                   |                |                            |                   | Bottom                 | Top          |
| 50          | 50DMLF51,1M (120) | 1.1            | IEC 72                     | 240               | 3304 A 2RS1-TN9C3-MT33 | 6303 2RS1/C3 |
| 65          | 65DMLF51,1M (135) | 1.1            | IEC 71                     | 260               | 6304 2RS1/C3           | 6303 2RS1/C3 |
|             | 65DMLF51,8M (125) | 1.8            | IEC 71                     | 260               | 3304 A 2RS1-TN9C3-MT33 | 6303 2RS1/C3 |

| <b>DMLVF</b> |                     |                    |                            |                   |                    |              |
|--------------|---------------------|--------------------|----------------------------|-------------------|--------------------|--------------|
| Size         | Model               | Output<br>[kW]     | Mechanical<br>Seal<br>Type | Oil Q. ty<br>[cc] | Bearings           |              |
|              |                     |                    |                            |                   | Bottom             | Top          |
| 32           | 32DMLVF50,5M (90)   | 0.5                | IEC 63                     | 160               | 6202 2Z C3         | 6200 2Z C3   |
| 50           | 50DMLVF51,1M (130)  | 1.1                | IEC 71                     | 260               | 6304 2RS1/C3       | 6303 2RS1/C3 |
|              | 50DMLVF51,8M (140)  | 1.8                | IEC 71                     | 260               | 6304 2RS1/C3       | 6303 2RS1/C3 |
|              | 50DMLVF51,8M (155)  | 1.8                | IEC 71                     | 260               | 6304 2RS1/C3       | 6303 2RS1/C3 |
|              | 65                  | 65DMLVF51,9M (109) | 1.9                        | IEC 71            | 260                | 6304 2RS1/C3 |
| 80           | 80DMLVF54,6 (206)   | 4.6                | IEC 100                    | 330               | 6306 2RS1/C3       | 6305 2RS1/C3 |
|              | 80DMLVF518,2 (188)  | 18.2               | IEC 132                    | 1900              | 3308A-2RS1TN9/MT33 | 6308 2RS     |
|              | 80DMLVF518,2 (225)  | 18.2               | IEC 132                    | 1900              | 3308A-2RS1TN9/MT33 | 6308 2RS     |
| 100          | 100DMLVF55,2 (260)  | 5.2                | IEC 112                    | 1900              | 3307A-2RS1TN9/MT33 | 6307 2RS1/C3 |
| 150          | 150DMLVF511 (360)   | 11                 | IEC 180                    | 2850              | 3311 2RS           | 6307 2RS1/C3 |
|              | 150DMLVF513,6 (400) | 13.6               | IEC 180                    | 2850              | 3311 2RS           | 6307 2RS1/C3 |
|              | 150DMLVF525 (340)   | 25                 | IEC 180                    | 2850              | 3311 2RS           | 6307 2RS1/C3 |
|              | 150DMLVF535,7 (360) | 35.7               | IEC 180                    | 2850              | 3311 2RS           | 6307 2RS1/C3 |

50DS

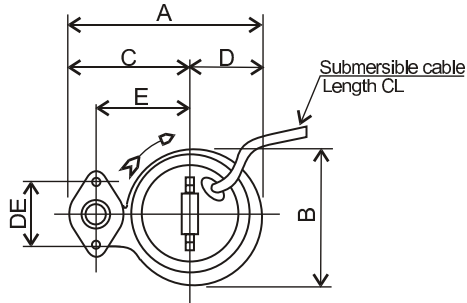


Figure 1

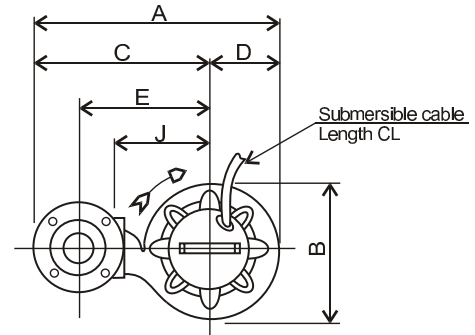
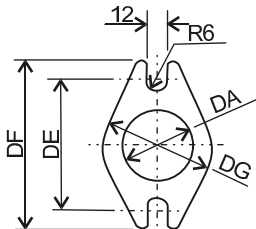
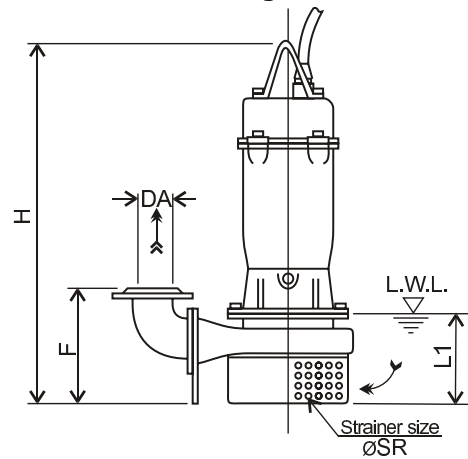
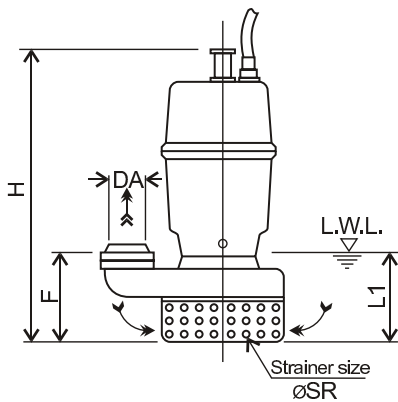
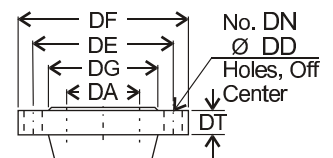


Figure 2



Oval Flange

| Discharge flange dimensions [mm] - EN 1092-2 |     |     |     |     |    |    |    |
|--|-----|-----|-----|-----|----|----|----|
| Type   | DA  | DE  | DF  | DG  | DT | DN | DD |
| Oval   | 50  | 96  | 114 | 76  | -  | -  | -  |
|  |     | 125 | 165 | 99  |    |    |    |
| Round  | 65  | 145 | 185 | 118 | 17 | 4  | 19 |
|  | 80  | 160 | 200 | 132 | 19 | 8  |    |
|  | 100 | 180 | 220 | 156 | 21 |    |    |



Round Flange

| Dimensions [mm] |           |      |             |             |     |     |     |     |     |     |     |     |     |     |        |     |        |             |
|-----------------|-----------|------|-------------|-------------|-----|-----|-----|-----|-----|-----|-----|-----|-----|-----|--------|-----|--------|-------------|
| Size DA         | Model     | Fig. | Flange Type | Output [kW] | DA  | A   | B   | C   | D   | E   | F   | H   | DE  | J   | L1 (*) | ØSR | CL [m] | Weight [kg] |
| 50              | 50DS51.5  | 1    | Oval        | 1.5         | G2" | 266 | 200 | 168 | 98  | 130 | 115 | 450 | 96  | -   | 120    | 10  | 6      | 25          |
|                 | 2.2       |      |             | 50          | 433 | 245 | 313 | 120 | 235 | 198 | 619 | -   | 180 | 160 | 10     |     | 55     |             |
|                 | 3.7       |      |             |             |     |     |     |     |     |     |     |     |     |     |        |     | 61     |             |
| 65              | 65DS51.5  | 2    | Round       | 1.5         | 65  | 407 | 210 | 303 | 104 | 215 | 197 | 503 | -   | 150 | 120    | 10  | 6      | 35          |
| 80              | 80DS52.2  |      |             | 2.2         | 80  | 503 | 268 | 368 | 135 | 275 | 215 | 625 | -   | 200 | 160    |     | 59     |             |
|                 | 80DS53.7  |      |             | 3.7         |     |     |     |     |     |     |     |     |     |     |        |     | 64     |             |
| 100             | 100DS55.5 | 2    | Round       | 5.5         | 100 | 615 | 309 | 460 | 155 | 355 | 257 | 730 | -   | 250 | 200    | 13  | 92     | 104         |
|                 | 100DS57.5 |      |             | 7.5         |     |     |     |     |     |     |     |     |     |     |        |     |        |             |

- L.W.L (Low Water Level)
- (\*) - Operation is limited to 10 minutes at L.W.L.
- Operation is limited to 30 minutes with water level below top of motor

DS with QDC (1.5÷3.7 kW)

Figure 1

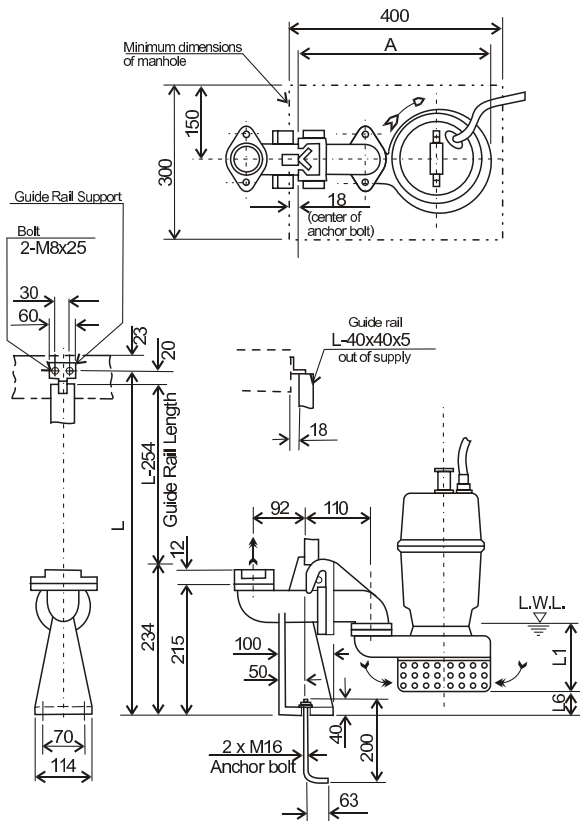
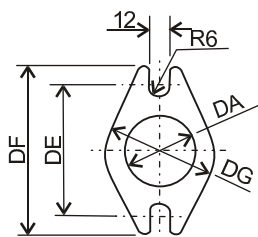
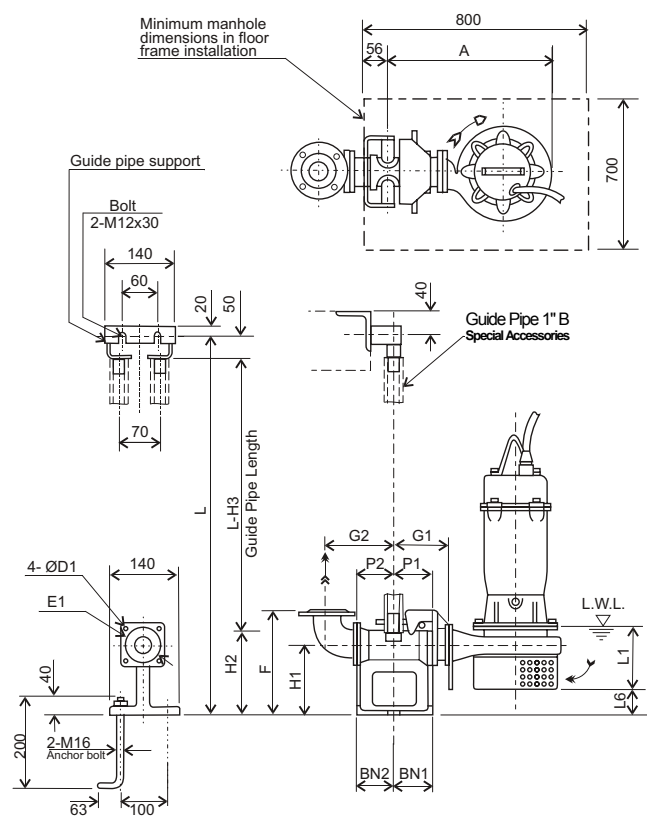
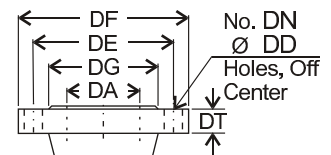


Figure 2



Oval Flange

| Discharge flange dimensions [mm] - EN 1092-2 |    |     |     |     |    |    |    |
|--|----|-----|-----|-----|----|----|----|
| Type   | DA | DE  | DF  | DG  | DT | DN | DD |
| Oval   | 50 | 96  | 114 | 76  | -  | -  | -  |
|  |    | 125 | 165 | 99  |    |    |    |
| Round  | 65 | 145 | 185 | 118 | 17 | 4  | 19 |
|  | 80 | 160 | 200 | 132 | 19 | 8  |    |

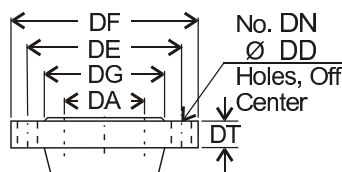
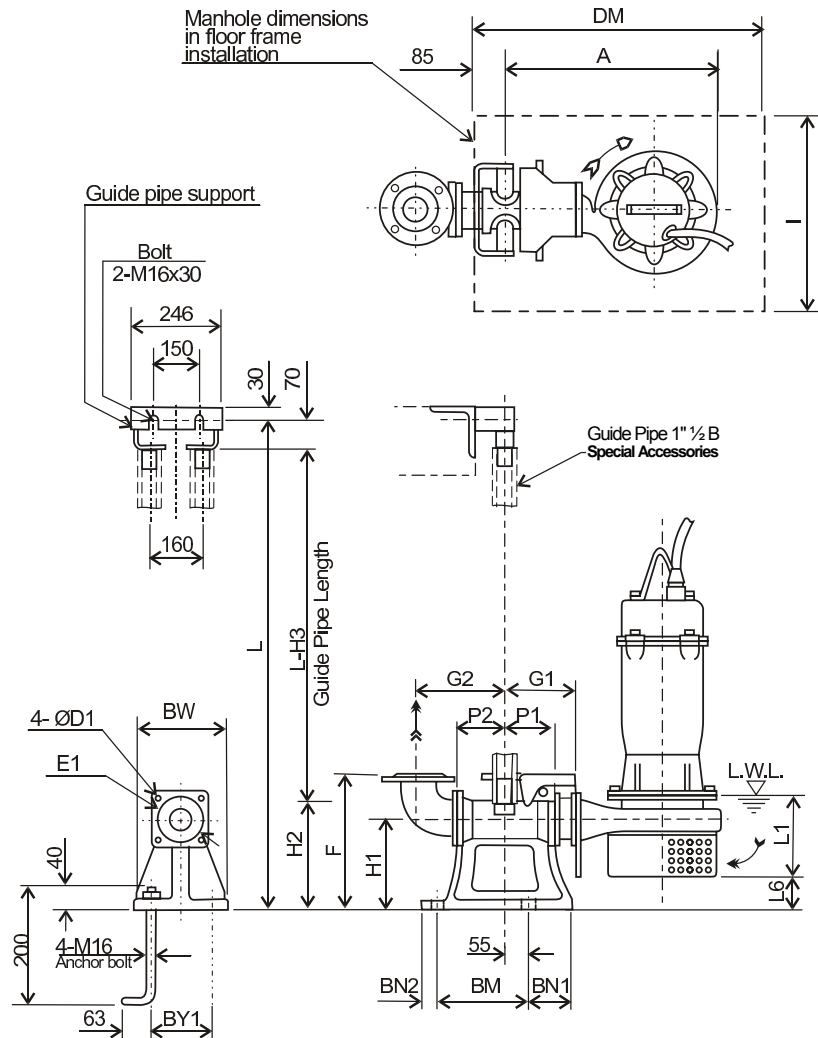


Round Flange

| Dimensions [mm] |          |      |             |             |     |     |    |     |     |     |     |     |     |     |        |    |     |     |    |     |           |             |    |
|-----------------|----------|------|-------------|-------------|-----|-----|----|-----|-----|-----|-----|-----|-----|-----|--------|----|-----|-----|----|-----|-----------|-------------|----|
| Size            | Model    | Fig. | Flange Type | Output [kW] | DA  | A   | P1 | P2  | G1  | G2  | F   | H1  | H2  | H3  | L1 (*) | L6 | BN1 | BN2 | D1 | E1  | QDC Model | Weight [kg] |    |
| 50              | 50DS51.5 | 1    | Oval        | 1.5         | G2" | -   | -  | -   | -   | -   | -   | -   | -   | -   | 120    | 25 | -   | -   | -  | -   | LS50      | 9           |    |
|                 | 2.2      |      |             | 50          | 415 | 75  | 80 | 115 | 135 | 230 | 135 | 165 | 215 | 160 | 32     |    |     | 80  | 12 | 120 | LM50      | 11          |    |
|                 | 3.7      |      |             |             |     |     |    |     |     |     |     |     |     |     |        |    |     |     |    |     |           |             |    |
| 65              | 65DS51.5 | 2    | Round       | 1.5         | 65  | 374 | 75 | 95  | 120 | 160 | 250 | 145 | 190 | 240 | 120    | 53 | 75  |     | 95 | 12  | 140       | LM65        | 14 |
| 80              | 80DS52.2 |      |             | 2.2         | 80  | 460 | 75 | 90  | 125 | 165 | 285 | 175 | 230 | 280 | 160    | 70 |     |     | 90 | 15  | 155       | LM80        | 17 |
|                 | 80DS53.7 |      |             | 3.7         |     |     |    |     |     |     |     |     |     |     |        |    |     |     |    |     |           |             |    |

(\*) - L.W.L (Low Water Level)  
 - Operation is limited to 10 minutes at L.W.L.  
 - Operation is limited to 30 minutes with water level below top of motor

**DS (5.5÷7.5 kW) with QDC**

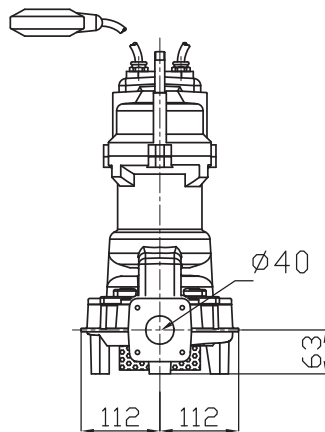
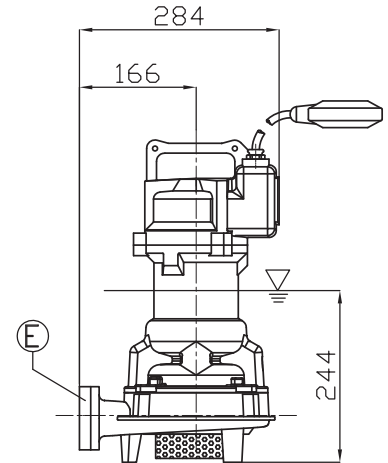
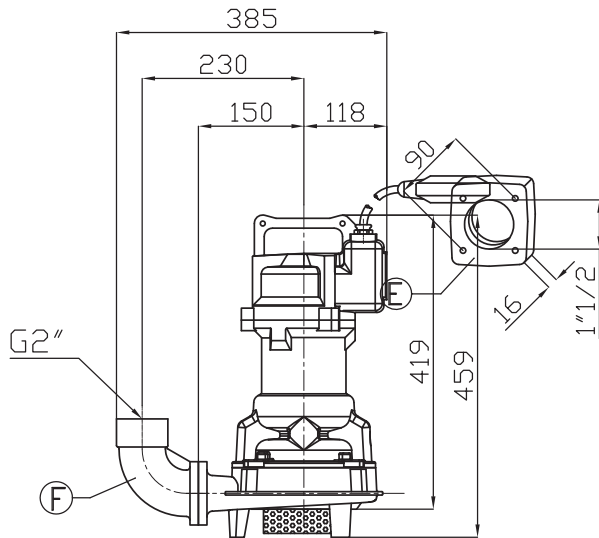


| Type  | DA  | DE  | DF  | DG  | DT | DN | DD |
|-------|-----|-----|-----|-----|----|----|----|
| Round | 100 | 180 | 220 | 156 | 21 | 8  | 19 |

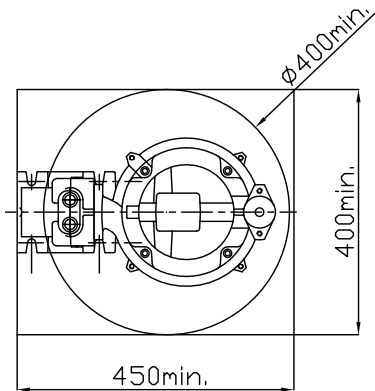
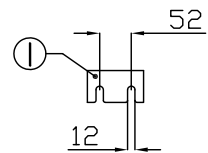
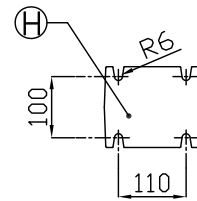
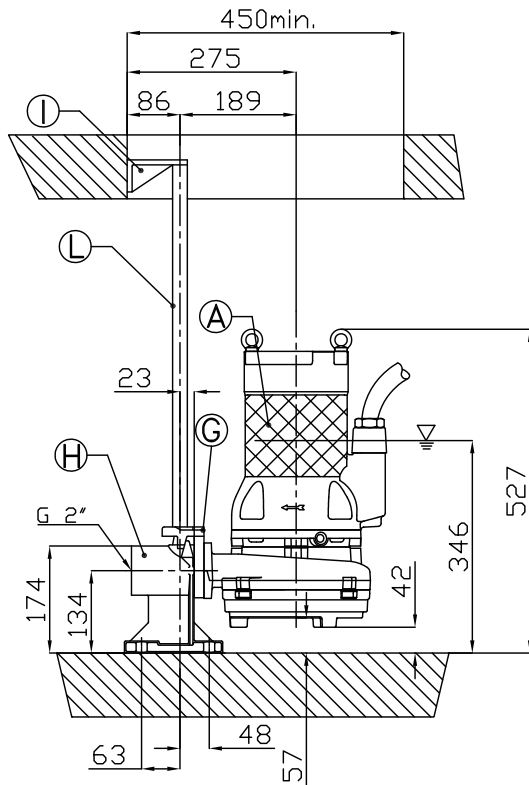
| Dimensions [mm] |           |             |     |     |     |     |     |     |     |     |     |        |     |     |     |     |     |     |     |     |    |     |           |                 |
|-----------------|-----------|-------------|-----|-----|-----|-----|-----|-----|-----|-----|-----|--------|-----|-----|-----|-----|-----|-----|-----|-----|----|-----|-----------|-----------------|
| Size            | Model     | Output [kW] | A   | P1  | P2  | G1  | G2  | F   | H1  | H2  | H3  | L1 (*) | L6  | BN1 | BN2 | BM  | BY1 | BW  | DM  | I   | D1 | E1  | QDC Model | QDC Weight [kg] |
| 100             | 100DS55.5 | 5.5         | 590 | 105 | 105 | 185 | 210 | 365 | 240 | 265 | 335 | 200    | 108 | 100 | 40  | 220 | 180 | 230 | 800 | 700 | 19 | 175 | LL100     | 46              |
|                 | 100DS57.5 | 7.5         |     |     |     |     |     |     |     |     |     |        |     |     |     |     |     |     |     |     |    |     |           |                 |

- L.W.L (Low Water Level)
- (\*) - Operation is limited to 10 minutes at L.W.L.
- Operation is limited to 30 minutes with water level below top of motor

40DSF/40DSF with QDC (1.5÷1.9 kW)



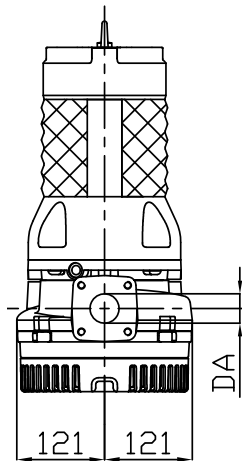
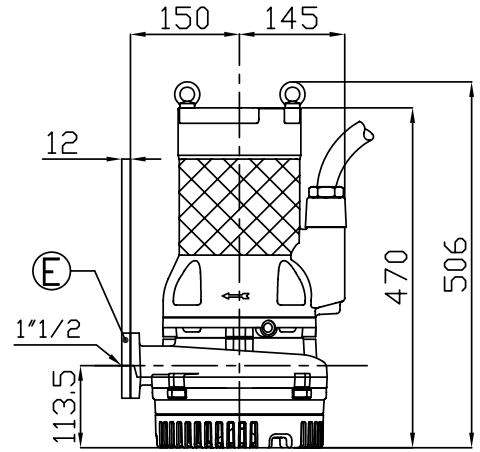
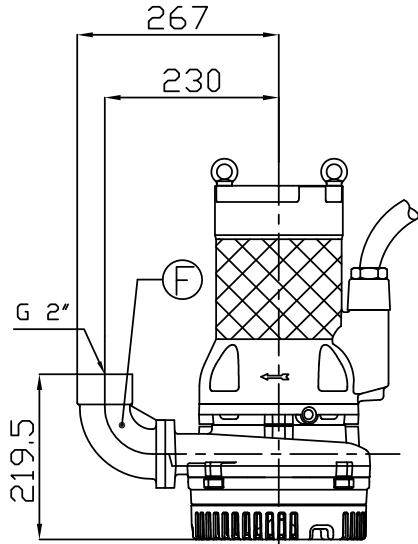
| Size<br>DA | Model         | Output<br>[kW] | Weight<br>[kgf] |
|------------|---------------|----------------|-----------------|
| 40         | 40DSF51.5M2CG | 1.5            | 38              |
|            | 40DSF51.9M2AG | 1.9            | 38              |



▽ LIVELLO MINIMO DI  
 ≡ SOMMERSIBILITA'  
 ▽ MINIMUM  
 ≡ SUBMERSIBLE LEVEL

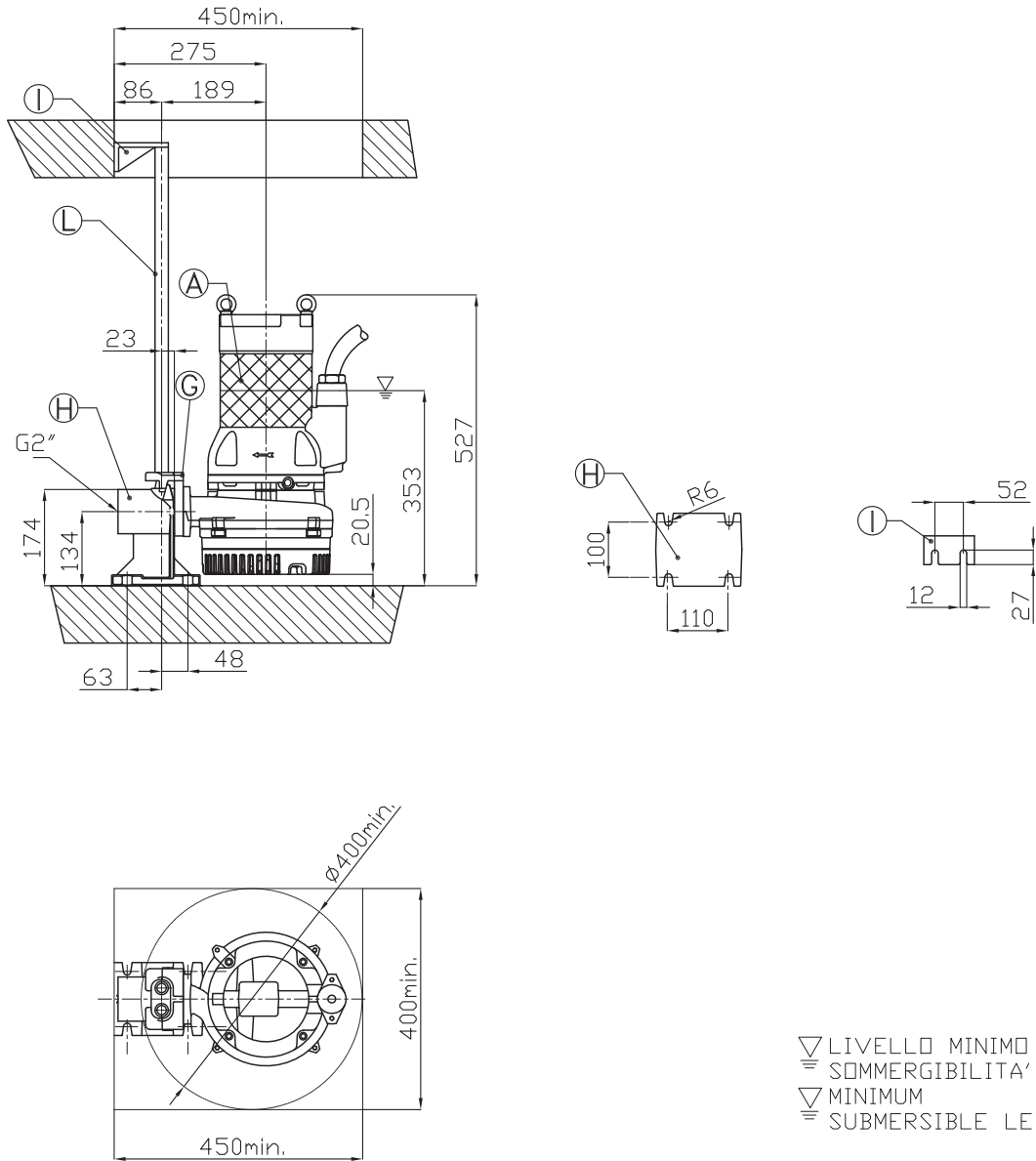
| POSITION | DESCRIPTION                          | MATERIAL         | WEIGHT [kgf] |
|----------|--------------------------------------|------------------|--------------|
| A        | SUBMERSIBLE PUMP                     | -                | -            |
| B        | RUBBER JOINT DN50                    | NEOPRENE         | -            |
| E        | THREADED FLANGE 1" 1/2               | G250 CAST-IRON   | 1            |
| F        | THREADED ELBOW 90° 2"                | G250 CAST-IRON   | 3            |
| G        | DOUBLE GUIDE RAIL COUPLING FEET DN50 | G250 CAST IRON   | 1.5          |
| H        | DOUBLE GUIDE CUOPLING FEET DN50      | G250 CAST-IRON   | 6            |
| I        | DOUBLE GUIDE RAIL UPPER SUPPORT 3/4  | G250 CAST-IRON   | 1.1          |
| L        | GUIDE RAIL 3/4"                      | GALVANIZED STEEL | -            |

40DSF/40DSF with QDC (6.0 kW)



| Size<br>DA | Model       | Output<br>[kW] | Weight<br>[kgf] |
|------------|-------------|----------------|-----------------|
| 40         | 40DSF56T2AG | 6              | 68              |





| POSITION | DESCRIPTION                            | MATERIAL         | WEIGHT [kgf] |
|----------|--|------------------|--------------|
| A        | SUBMERSIBLE PUMP                       | -                | -            |
| B        | RUBBER JOINT DN50                      | NEOPRENE         | -            |
| E        | THREADED FLANGE 1" 1/2                 | G250 CAST-IRON   | 1            |
| F        | THREADED ELBOW 90° 2"                  | G250 CAST-IRON   | 3            |
| G        | DOUBLE GUIDE RAIL COUPLING FLANGE DN50 | G250 CAST IRON   | 1.5          |
| H        | DOUBLE GUIDE CUOPLING FEET DN50        | G250 CAST-IRON   | 6            |
| I        | DOUBLE GUIDE RAIL UPPER SUPPORT 3/4    | G250 CAST-IRON   | 1.1          |
| L        | GUIDE RAIL 3/4"                        | GALVANIZED STEEL | -            |

DVS

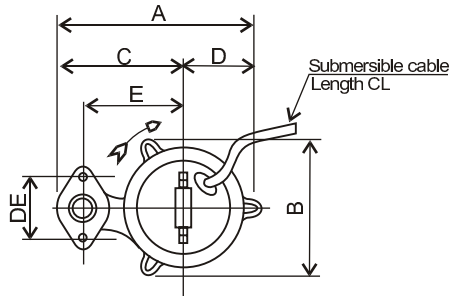


Figure 1

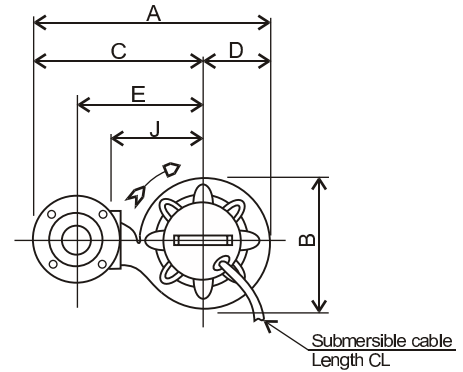
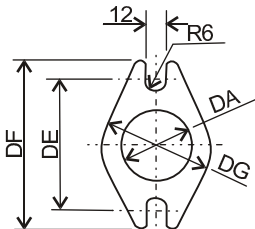
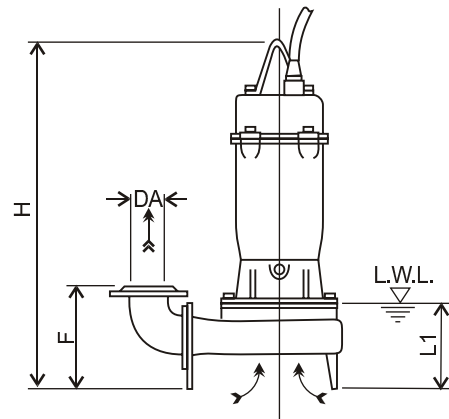
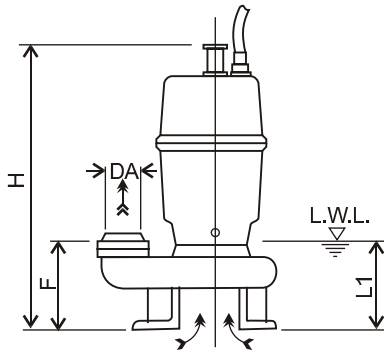
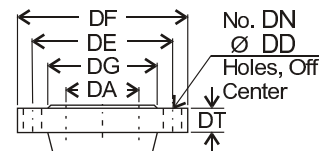


Figure 2



Oval Flange

| Discharge flange dimensions [mm] - EN 1092-2 |    |     |     |     |    |    |    |
|--|----|-----|-----|-----|----|----|----|
| Type   | DA | DE  | DF  | DG  | DT | DN | DD |
| Oval   | 50 | 96  | 114 | 76  | -  | -  | -  |
| Round  | 65 | 145 | 185 | 118 | 17 | 4  | 19 |
|  | 80 | 160 | 200 | 132 | 19 | 8  |    |



Round Flange

| Dimensions [mm] |           |      |             |             |     |     |     |     |     |     |     |     |    |     |        |        |             |    |
|-----------------|-----------|------|-------------|-------------|-----|-----|-----|-----|-----|-----|-----|-----|----|-----|--------|--------|-------------|----|
| Size DA         | Model     | Fig. | Flange Type | Output [kW] | DA  | A   | B   | C   | D   | E   | F   | H   | DE | J   | L1 (*) | CL [m] | Weight [kg] |    |
| 50              | 50DVS51.5 | 1    | Oval        | 1.5         | G2" | 249 | 171 | 163 | 86  | 125 | 82  | 439 | 96 | -   | 105    | 6      | 27          |    |
| 65              | 65DVS51.5 | 2    | Round       | 1.5         | 65  | 396 | 195 | 298 | 98  | 210 | 178 | 519 | -  | 145 | 125    |        | 10          | 34 |
|                 | 2.2       |      |             | 427         |     | 227 | 313 | 114 | 225 | 201 | 643 | 59  |    |     |        |        |             |    |
|                 | 3.7       |      |             | 98          |     | 220 |     | 183 | 519 | 145 | 125 | 6   |    | 35  |        |        |             |    |
| 80              | 80DVS51.5 | 2    | Round       | 1.5         | 80  | 411 | 195 | 328 | 114 | 235 | 206 | 643 | -  | 160 | 155    | 10     | 51          |    |
|                 | 2.2       |      |             | 442         |     | 227 | 114 |     | 235 | 206 | 643 | 60  |    |     |        |        |             |    |
|                 | 3.7       |      |             | 442         |     | 227 | 114 |     | 235 | 206 | 643 | 60  |    |     |        |        |             |    |

- (\*) - L.W.L (Low Water Level)
- Operation is limited to 10 minutes at L.W.L.
- Operation is limited to 30 minutes with water level below top of motor

DVS with QDC

Figure 1

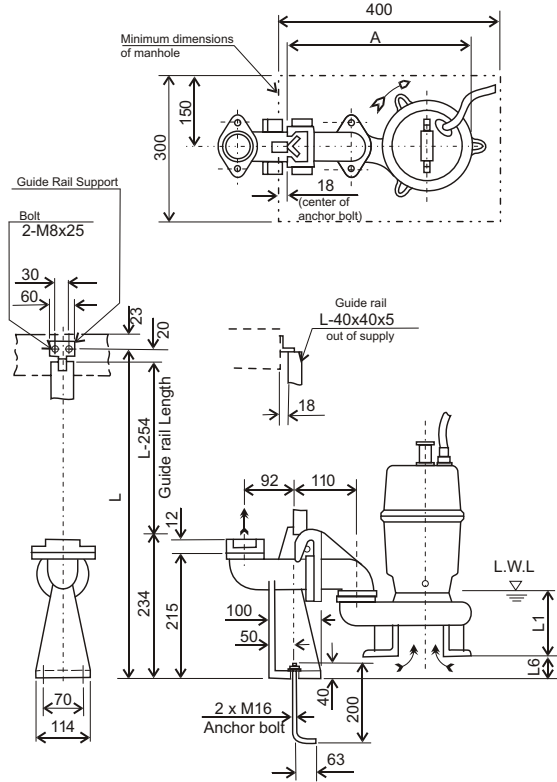
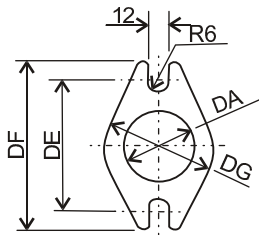
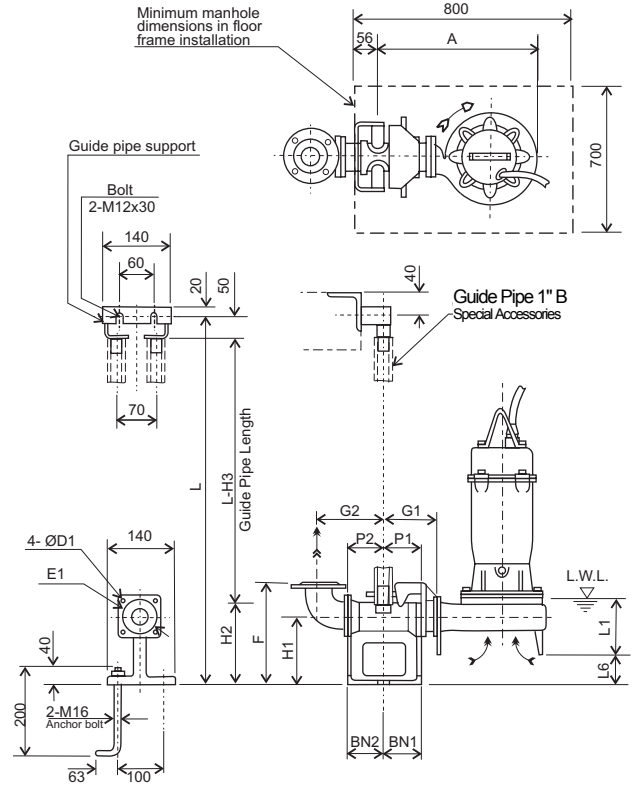
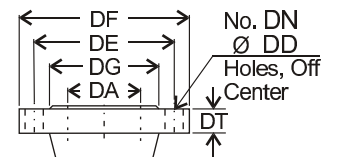


Figure 2



Oval Flange

| Discharge flange dimensions [mm] - EN 1092-2 |    |     |     |     |    |    |    |
|--|----|-----|-----|-----|----|----|----|
| Type   | DA | DE  | DF  | DG  | DT | DN | DD |
| Oval   | 50 | 96  | 114 | 76  | -  | -  | -  |
|  | 65 | 145 | 185 | 118 | 17 | 4  | 19 |
| Round  | 80 | 160 | 200 | 132 | 19 | 8  | 19 |

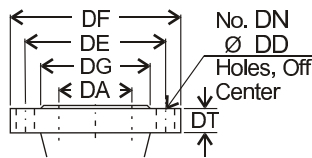
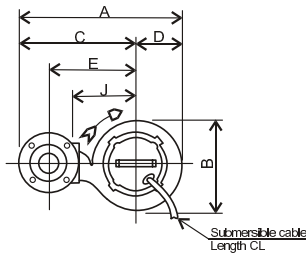
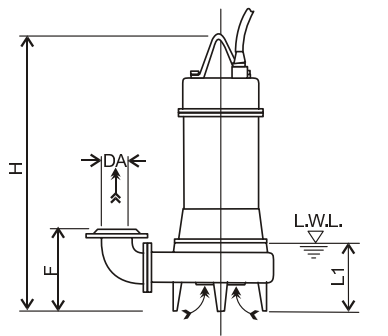


Round Flange

| Dimensions [mm] |           |      |             |             |     |    |    |     |     |     |     |     |     |        |     |     |     |    |     |       |             |     |
|-----------------|-----------|------|-------------|-------------|-----|----|----|-----|-----|-----|-----|-----|-----|--------|-----|-----|-----|----|-----|-------|-------------|-----|
| Size            | Model     | Fig. | Flange Type | Output [kW] | A   | P1 | P2 | G1  | G2  | F   | H1  | H2  | H3  | L1 (*) | L6  | BN1 | BN2 | D1 | E1  | QDC   |             |     |
|                 |           |      |             |             |     |    |    |     |     |     |     |     |     |        |     |     |     |    |     | Model | Weight [kg] |     |
| 50              | 50DVS51.5 | 1    | Oval        | 1.5         | 311 | -  | -  | -   | -   | -   | -   | -   | -   | 105    | 58  | -   | -   | -  | -   | LS50  | 9           |     |
| 65              | 65DVS51.5 | 2    | Round       | 1.5         | 363 | 75 | 95 | 120 | 160 | 250 | 145 | 190 | 240 | 125    | 72  | 75  | 95  | 12 | 140 | LM65  | 14          |     |
|                 | 2.2       |      |             | 394         | 155 |    |    |     |     |     |     |     |     | 49     |     |     |     |    |     |       |             |     |
|                 | 3.7       |      |             | 394         | 125 |    |    |     |     |     |     |     |     | 72     |     |     |     |    |     |       |             |     |
|                 | 1.5       |      |             | 363         | 170 |    |    |     |     |     |     |     |     | 255    | 145 |     |     |    |     |       |             | 155 |
| 80              | 80DVS51.5 | 2    | Round       | 1.5         | 363 | 75 | 95 | 120 | 170 | 255 | 145 | 190 | 240 | 125    | 72  | 75  | 95  | 12 | 140 | LM65  | 14          |     |
| 2.2             | 394       |      |             | 155         | 49  |    |    |     |     |     |     |     |     |        |     |     |     |    |     |       |             |     |
| 3.7             | 394       |      |             | 125         | 72  |    |    |     |     |     |     |     |     |        |     |     |     |    |     |       |             |     |

- (\*) - L.W.L (Low Water Level)
- Operation is limited to 10 minutes at L.W.L.
- Operation is limited to 30 minutes with water level below top of motor

DL

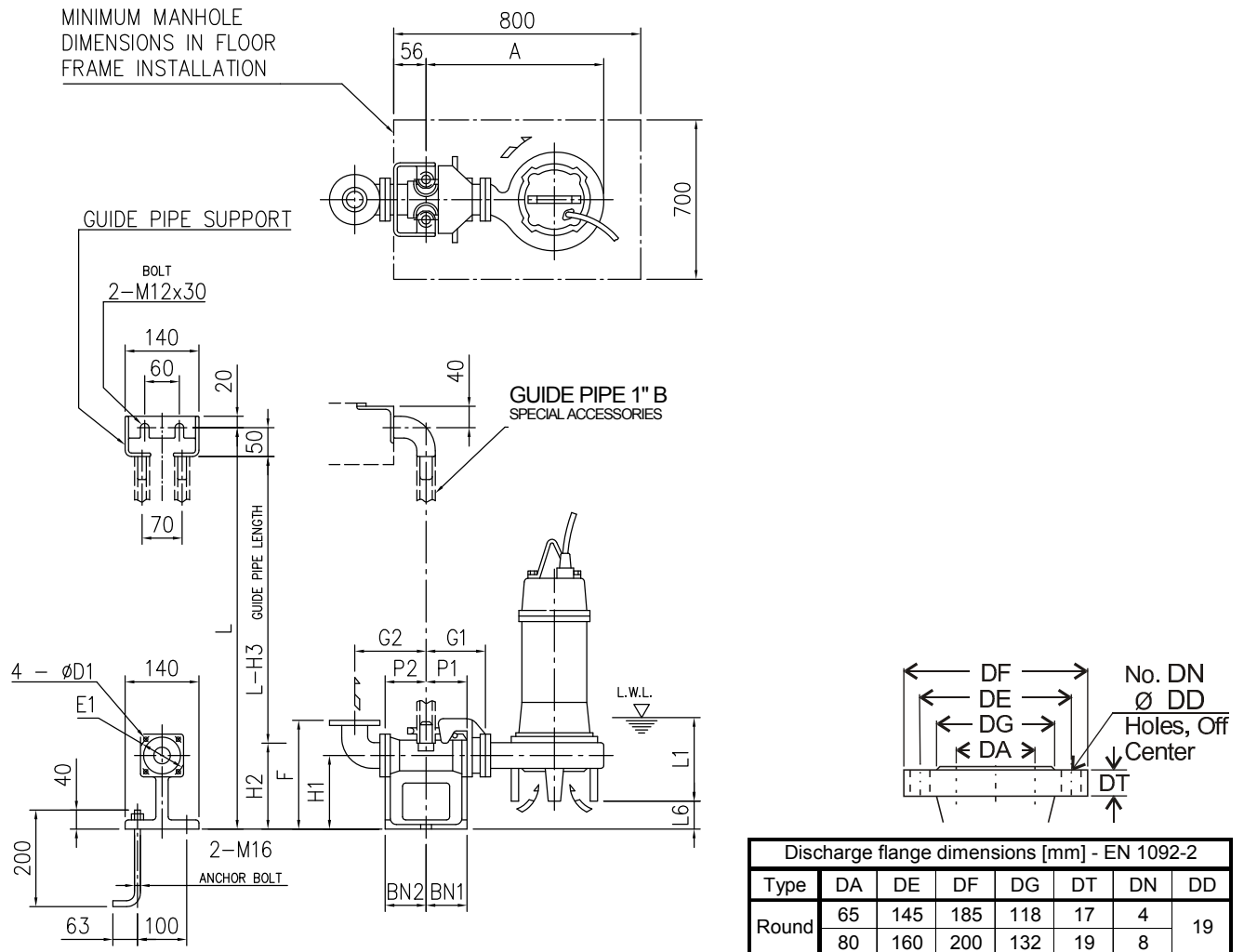


| Discharge flange dimensions [mm] - EN 1092-2 |     |     |     |     |    |    |    |
|--|-----|-----|-----|-----|----|----|----|
| Type   | DA  | DE  | DF  | DG  | DT | DN | DD |
| Round  | 65  | 145 | 185 | 118 | 17 | 4  | 19 |
|  | 80  | 160 | 200 | 132 | 19 | 8  |    |
|  | 100 | 180 | 220 | 156 | 21 |    |    |
|  | 150 | 240 | 285 | 211 | 23 |    | 23 |
|  | 200 | 295 | 340 | 266 | 25 |    |    |
|  | 250 | 350 | 395 | 319 | 25 |    |    |
|  | 300 | 400 | 445 | 370 | 24 | 12 |    |

| Dimensions [mm] |            |             |      |      |     |     |     |     |      |      |        |        |             |     |      |     |      |     |     |
|-----------------|------------|-------------|------|------|-----|-----|-----|-----|------|------|--------|--------|-------------|-----|------|-----|------|-----|-----|
| Size DA         | Model      | Output [kW] | A    | B    | C   | D   | E   | F   | H    | J    | L1 (*) | CL [m] | Weight [kg] |     |      |     |      |     |     |
| 65              | 65DL51.5   | 1.5         | 497  | 291  | 353 | 144 | 265 | 200 | 576  | 200  | 140    |        | 52          |     |      |     |      |     |     |
| 80              | 80DL51.5   | 1.5         | 524  | 292  | 378 | 146 | 285 | 220 | 597  | 210  | 165    |        | 55          |     |      |     |      |     |     |
|                 | 80DL52.2   | 2.2         | 542  | 308  | 388 | 154 | 295 |     | 654  | 220  |        |        |             |     |      |     |      |     |     |
|                 | 80DL53.7   | 3.7         | 567  | 328  | 403 | 164 | 310 | 687 | 235  |      |        |        |             |     |      |     |      |     |     |
|                 | 80DLC55.5  | 5.5         | 618  | 379  | 428 | 190 | 335 | 307 | 753  | 260  | 205    |        | 134         |     |      |     |      |     |     |
|                 | 80DLC57.5  | 7.5         | 648  | 399  | 448 | 200 | 355 | 305 | 751  | 280  |        |        |             |     |      |     |      |     |     |
| 100             | 100DL53.7  | 3.7         | 614  | 335  | 445 | 169 | 340 | 250 | 706  | 235  | 185    |        | 79          |     |      |     |      |     |     |
|                 | 100DLB55.5 | 5.5         | 646  | 369  | 460 | 186 | 355 | 323 | 768  | 250  | 205    |        | 123         |     |      |     |      |     |     |
|                 | 100DLC55.5 | 5.5         | 660  | 379  | 470 | 190 | 365 | 322 | 753  | 260  |        |        |             |     |      |     |      |     |     |
|                 | 100DLB57.5 | 7.5         | 673  | 385  | 480 | 193 | 375 | 323 | 760  | 270  |        |        |             |     |      |     |      |     |     |
|                 | 100DLC57.5 | 7.5         | 690  | 399  | 490 | 200 | 385 | 320 | 751  | 280  | 205    |        | 148         |     |      |     |      |     |     |
|                 | 100DL511   | 11          | 701  | 402  | 500 | 201 | 395 | 323 | 859  | 290  |        |        |             |     |      |     |      |     |     |
|                 | 100DL515   | 15          | 741  | 441  | 520 | 221 | 415 | 330 | 954  | 310  |        |        |             |     |      |     |      |     |     |
|                 | 100DL518.5 | 18.5        |      |      |     |     |     |     | 958  |      |        |        |             |     |      |     |      |     |     |
| 150             | 150DL55.5  | 5.5         | 750  | 398  | 550 | 200 | 410 | 381 | 799  | 280  | 245    |        | 146         |     |      |     |      |     |     |
|                 | 150DL57.5  | 7.5         | 780  | 418  | 570 | 210 | 430 | 377 | 784  | 300  |        |        |             |     |      |     |      |     |     |
|                 | 150DL511   | 11          | 810  | 438  | 590 | 220 | 450 |     | 883  | 320  |        |        |             |     |      |     |      |     |     |
|                 | 150DL515   | 15          |      |      |     |     |     | 972 |      |      |        |        |             |     |      |     |      |     |     |
|                 | 150DL518.5 | 18.5        | 848  | 476  | 610 | 238 | 470 | 381 | 979  | 340  | 486    |        | 300         |     |      |     |      |     |     |
|                 | 150DL522   | 22          |      |      |     |     |     |     |      |      |        |        |             |     |      |     |      |     |     |
|                 | 150DL530   | 30          | 912  | 520  | 650 | 262 | 510 | 468 | 1284 | 360  |        | 494    |             | 350 |      |     |      |     |     |
|                 | 150DL537   | 37          |      |      |     |     |     |     | 1404 |      |        |        |             |     |      |     |      |     |     |
|                 | 150DL545   | 45          |      |      |     |     |     |     |      |      |        |        |             |     |      |     |      |     |     |
| 200             | 200DL55.5  | 5.5         | 832  | 430  | 615 | 217 | 450 | 414 | 826  | 300  | 285    |        | 160         |     |      |     |      |     |     |
|                 | 200DL57.5  | 7.5         | 863  | 453  | 635 | 228 | 470 | 410 | 809  | 320  |        |        |             |     |      |     |      |     |     |
|                 | 200DL511   | 11          |      |      |     |     |     |     | 908  |      |        |        |             |     |      |     |      |     |     |
|                 | 200DL515   | 15          | 896  | 479  | 655 | 241 | 490 | 411 | 995  | 340  | 486    |        | 212         |     |      |     |      |     |     |
|                 | 200DL518.5 | 18.5        | 932  | 512  |     | 257 |     | 415 | 1001 |      |        |        |             |     |      |     |      |     |     |
|                 | 200DL522   | 22          |      |      |     |     |     |     |      |      |        |        |             |     |      |     |      |     |     |
|                 | 200DL530   | 30          | 937  | 520  | 675 |     | 510 |     | 1284 | 360  | 494    |        | 260         |     |      |     |      |     |     |
|                 | 200DL537   | 37          |      |      |     |     |     |     | 1404 |      |        |        |             |     |      |     |      |     |     |
|                 | 200DL545   | 45          |      |      |     |     |     |     |      |      |        |        |             |     |      |     |      |     |     |
| 250             | 250DL57.5  | 7.5         | 969  | 525  | 700 | 269 | 500 | 622 | 904  | 370  | 400    |        | 260         |     |      |     |      |     |     |
|                 | 250DL511   | 11          | 993  | 541  | 720 | 273 | 520 | 634 | 1000 | 390  |        |        |             |     |      |     |      |     |     |
|                 | 250DL515   | 15          | 1007 | 549  | 730 | 277 | 530 | 646 | 1086 | 400  |        |        |             |     |      |     |      |     |     |
|                 | 250DL518.5 | 18.5        |      |      |     |     |     |     | 1089 |      |        |        |             |     |      |     |      |     |     |
|                 | 250DL522   | 22          | 1125 | 660  | 790 | 335 | 590 | 706 | 1336 | 460  | 565    |        | 420         |     |      |     |      |     |     |
|                 | 250DL530   | 30          |      |      |     |     |     |     | 1475 |      |        |        |             |     |      |     |      |     |     |
|                 | 250DL537   | 37          |      |      |     |     |     |     |      |      |        |        |             |     |      |     |      |     |     |
|                 | 300        | 250DL545    | 45   | 1172 | 660 | 838 | 335 | 615 | 726  | 1475 | 460    | 565    |             | 540 |      |     |      |     |     |
| 300DL511        |            | 11          | 1100 |      |     |     |     |     |      | 588  |        |        | 798         | 302 | 575  | 671 | 1050 | 420 | 450 |
| 300DL515        |            | 15          |      |      |     |     |     |     |      |      |        |        |             |     |      |     |      |     |     |
| 300DL518.5      |            | 18.5        | 1135 |      |     |     |     |     |      | 618  | 818    | 317    | 595         | 668 | 1131 | 440 |      |     |     |
| 300DL522        |            | 22          |      |      |     |     |     |     |      |      |        |        |             |     |      |     |      |     |     |
| 300DL530        |            | 30          | 1172 |      |     |     |     |     |      | 660  | 838    | 335    | 615         | 726 | 1336 | 460 | 565  |     | 440 |
| 300DL537        |            | 37          |      |      |     |     |     |     |      |      |        |        |             |     | 1475 |     |      |     |     |
| 300DL545        | 45         |             |      |      |     |     |     |     |      |      |        |        |             |     |      |     |      |     |     |

(\*) -L.W.L (Low Water Level)  
 -Operation is limited to 10 minutes at L.W.L.  
 -Operation is limited to 30 minutes with water level below top of motor

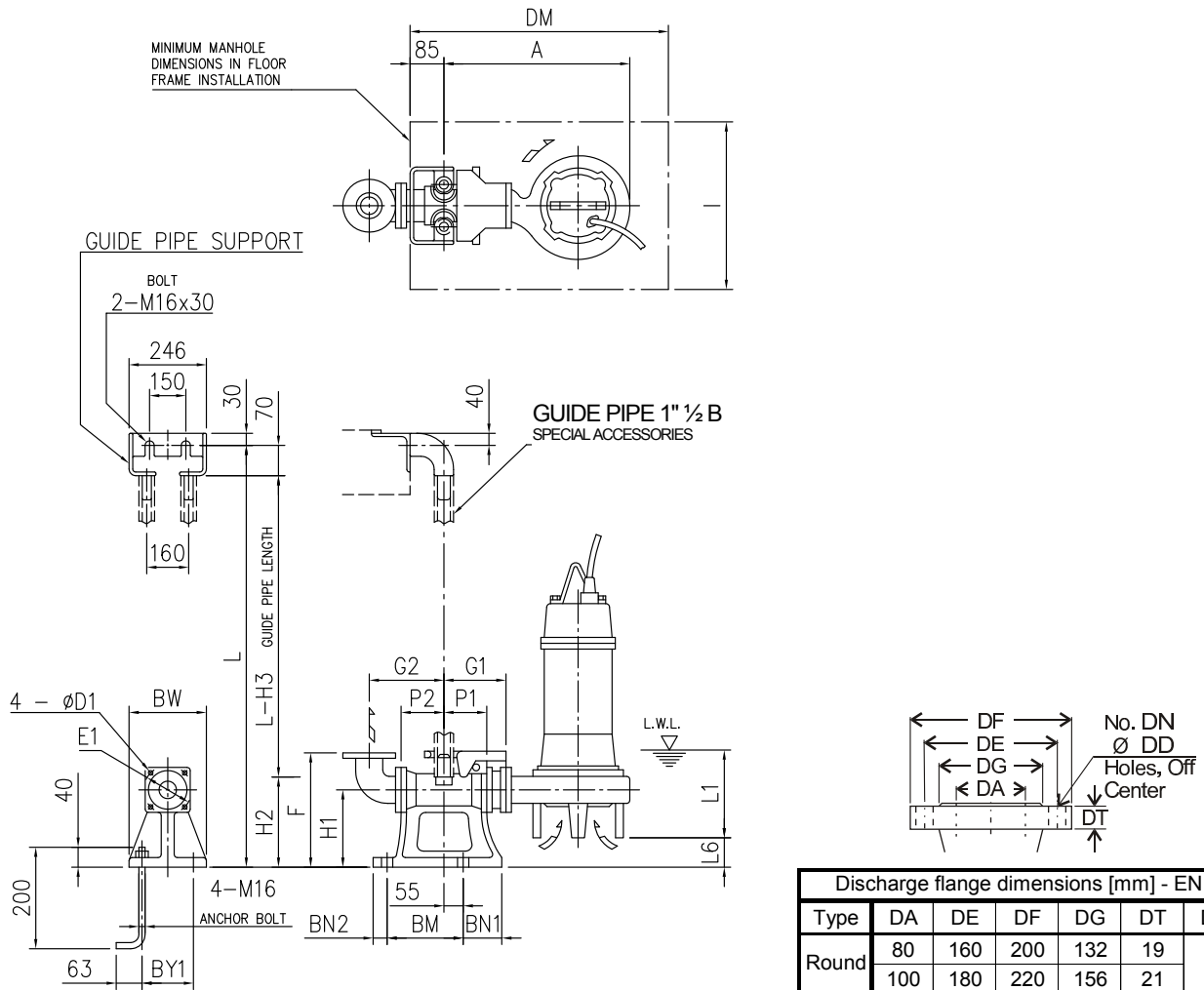
65DL, 80DL (1.5÷3.7 kW) with QDC



| Dimensions [mm] |          |             |     |    |    |     |     |     |     |     |     |        |    |     |     |    |     |       |             |
|-----------------|----------|-------------|-----|----|----|-----|-----|-----|-----|-----|-----|--------|----|-----|-----|----|-----|-------|-------------|
| Size DA         | Model    | Output [kW] | A   | P1 | P2 | G1  | G2  | F   | H1  | H2  | H3  | L1 (*) | L6 | BN1 | BN2 | D1 | E1  | QDC   |             |
|                 |          |             |     |    |    |     |     |     |     |     |     |        |    |     |     |    |     | Model | Weight [kg] |
| 65              | 65DL51.5 | 1.5         | 464 | 75 | 95 | 120 | 160 | 250 | 145 | 190 | 240 | 140    | 50 | 75  | 95  | 12 | 140 | LM65  | 14          |
|                 | 80DL51.5 | 1.5         | 481 |    | 90 | 125 | 165 | 285 | 175 | 230 | 280 | 165    | 65 |     | 90  | 15 | 155 | LM80  | 17          |
| 80              | 80DL52.2 | 2.2         | 499 |    | 90 | 125 | 165 | 285 | 175 | 230 | 280 | 165    | 65 |     | 90  | 15 | 155 | LM80  | 17          |
|                 | 80DL53.7 | 3.7         | 524 |    | 90 | 125 | 165 | 285 | 175 | 230 | 280 | 165    | 65 |     | 90  | 15 | 155 | LM80  | 17          |

- L.W.L (Low Water Level)
- (\*) - Operation is limited to 10 minutes at L.W.L.
- Operation is limited to 30 minutes with water level below top of motor

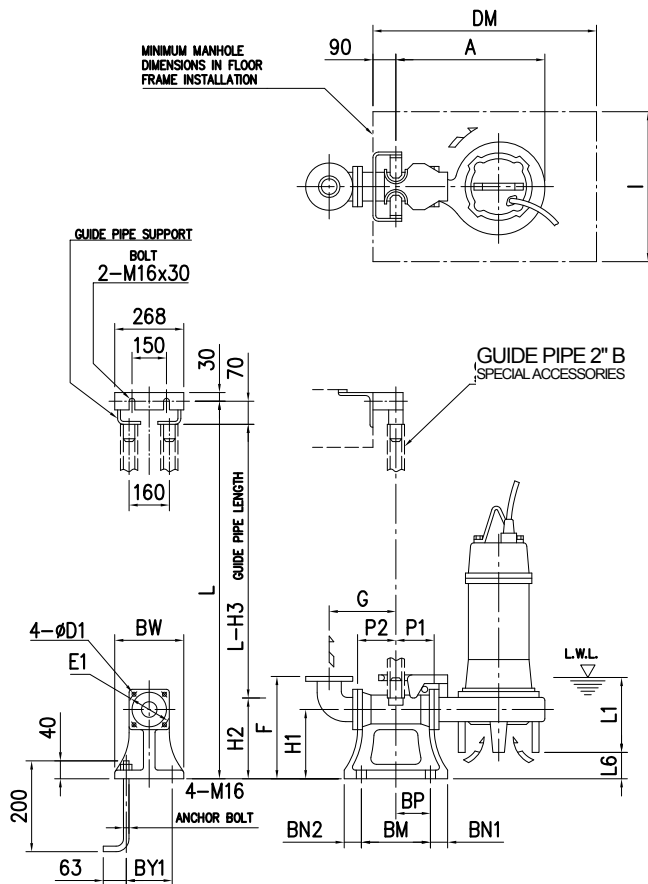
### 80DL (5.5÷7.5), 100DL with QDC



| Dimensions [mm] |            |                |     |     |     |     |     |     |     |     |     |           |     |     |     |     |     |     |     |     |     |     |       |                |       |    |
|-----------------|------------|----------------|-----|-----|-----|-----|-----|-----|-----|-----|-----|-----------|-----|-----|-----|-----|-----|-----|-----|-----|-----|-----|-------|----------------|-------|----|
| Size<br>DA      | Model      | Output<br>[kW] | A   | P1  | P2  | G1  | G2  | F   | H1  | H2  | H3  | L1<br>(*) | L6  | BN1 | BN2 | BM  | BY1 | BW  | DM  | I   | QDC |     |       |                |       |    |
|                 |            |                |     |     |     |     |     |     |     |     |     |           |     |     |     |     |     |     |     |     | D1  | E1  | Model | Weight<br>[kg] |       |    |
| 80              | 80DLC55.5  | 5.5            | 635 |     | 120 |     | 195 | 350 |     | 255 | 325 | 205       | 43  |     |     |     |     |     |     |     |     | 15  | 155   | LL80           | 44    |    |
|                 | 80DLC57.5  | 7.5            | 665 |     |     |     |     |     |     |     |     |           | 45  |     |     |     |     |     |     |     |     | 19  | 175   | LL100          | 46    |    |
| 100             | 100DL53.7  | 3.7            | 589 | 105 | 105 | 185 | 210 |     | 240 | 265 | 335 | 185       | 115 | 100 | 40  | 220 | 180 | 230 | 800 | 700 |     | 19  | 175   | LL100          | 46    |    |
|                 | 100DLB55.5 | 5.5            | 621 |     | 42  |     |     |     |     |     |     |           | 15  |     |     |     |     |     |     |     |     | 155 | LL80  | 44             |       |    |
|                 | 100DLC55.5 | 5.5            | 635 |     | 120 | 225 | 210 | 365 | 255 | 325 | 205 | 43        | 45  |     |     |     |     |     |     |     |     | 19  | 175   | LL100          | 46    |    |
|                 | 100DLB57.5 | 7.5            | 648 |     | 105 |     |     |     |     |     |     |           |     |     |     |     |     |     |     |     |     | 225 | 255   | 325            | 42    | 15 |
|                 | 100DLC57.5 | 7.5            | 665 |     | 120 | 225 | 210 | 365 | 255 | 325 | 205 | 43        | 45  |     |     |     |     |     |     |     |     |     | 19    | 175            | LL100 | 46 |
|                 | 100DL511   | 11             | 676 |     | 105 |     |     |     |     |     |     |           |     |     |     |     |     |     |     |     |     |     | 225   | 255            | 325   | 42 |
|                 | 100DL515   | 15             | 716 |     | 105 | 210 |     |     | 265 | 335 | 35  |           |     |     |     |     |     |     |     |     |     |     | 19    | 175            | LL100 | 46 |
|                 | 100DL518.5 | 18.5           |     |     |     |     |     |     |     |     |     |           |     |     |     |     |     |     |     |     |     |     |       |                |       |    |

- L.W.L (Low Water Level)
- Operation is limited to 10 minutes at L.W.L.
- (\*) - Operation is limited to 30 minutes with water level below top of motor

150DL, 200DL with QDC

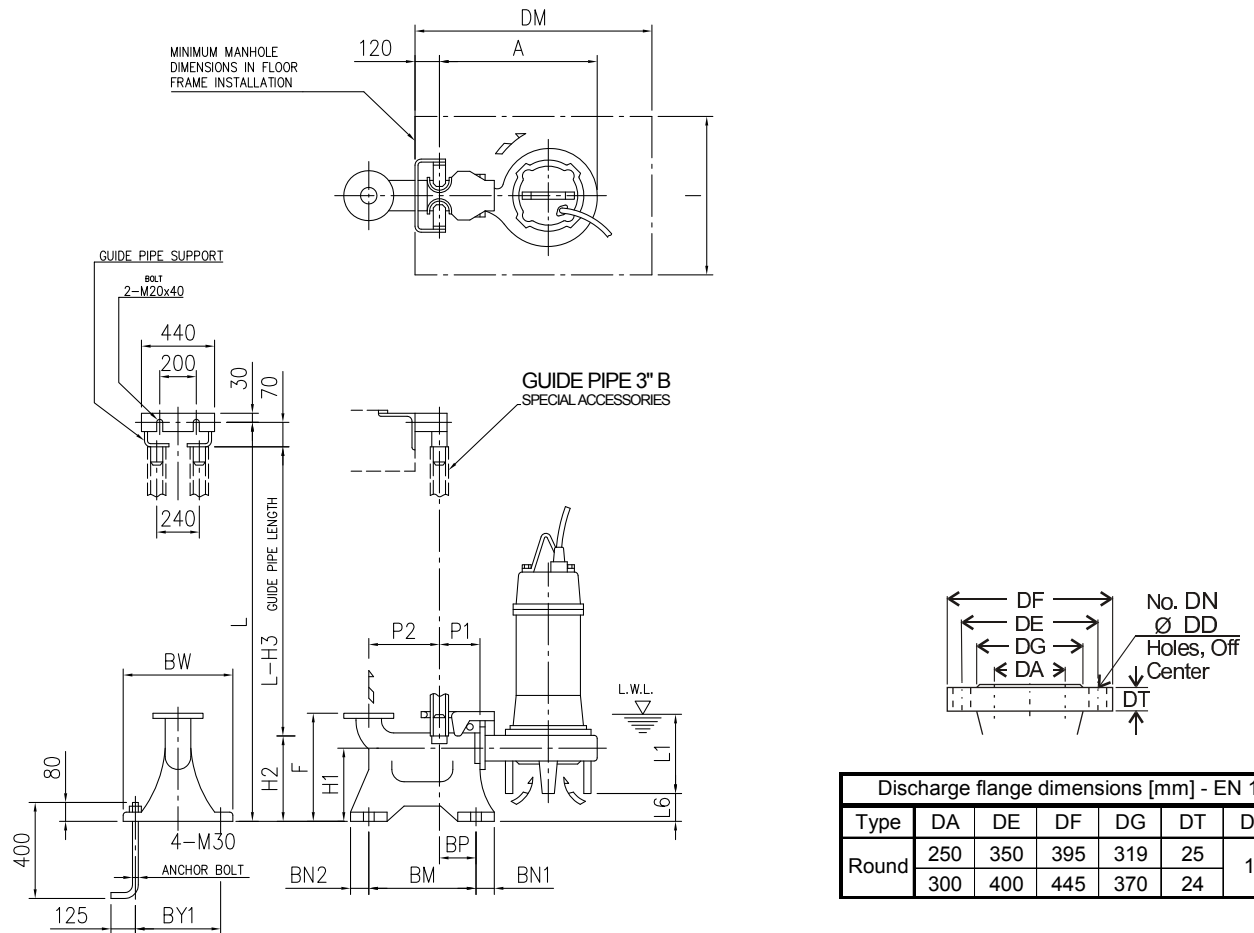


| Type  | DA  | DE  | DF  | DG  | DT | DN | DD |
|-------|-----|-----|-----|-----|----|----|----|
| Round | 150 | 240 | 285 | 211 | 23 | 8  | 23 |
|       | 200 | 295 | 340 | 266 |    |    |    |

| Dimensions [mm] |            |                |     |     |     |     |     |     |     |     |            |    |     |     |     |     |     |      |     |     |       |    |       |                |
|-----------------|------------|----------------|-----|-----|-----|-----|-----|-----|-----|-----|------------|----|-----|-----|-----|-----|-----|------|-----|-----|-------|----|-------|----------------|
| Size<br>DA      | Model      | Output<br>[kW] | A   | P1  | P2  | G   | F   | H1  | H2  | H3  | L1<br>(* ) | L6 | BN1 | BN2 | BM  | BP  | BY1 | BW   | DM  | I   | D1    | E1 | QDC   |                |
|                 |            |                |     |     |     |     |     |     |     |     |            |    |     |     |     |     |     |      |     |     |       |    | Model | Weight<br>[kg] |
| 150             | 150DL55.5  | 5.5            | 635 | 155 | 195 | 325 | 450 | 290 | 362 | 432 | 69         | 60 | 60  | 370 | 165 | 280 | 330 | 1000 | 700 | 210 | LL125 | 65 |       |                |
|                 | 150DL57.5  | 7.5            | 665 |     |     |     |     |     |     |     | 73         |    |     |     |     |     |     |      |     |     |       |    |       |                |
|                 | 150DL511   | 11             | 695 |     |     |     |     |     |     |     | 73         |    |     |     |     |     |     |      |     |     |       |    |       |                |
|                 | 150DL515   | 15             | 733 |     |     |     |     |     |     |     | 73         |    |     |     |     |     |     |      |     |     |       |    |       |                |
|                 | 150DL518.5 | 18.5           | 733 |     |     |     |     |     |     |     | 73         |    |     |     |     |     |     |      |     |     |       |    |       |                |
|                 | 150DL522   | 22             | 733 |     |     |     |     |     |     |     | 73         |    |     |     |     |     |     |      |     |     |       |    |       |                |
|                 | 150DL530   | 30             | 777 |     |     |     |     |     |     |     | 288        |    |     |     |     |     |     |      |     |     |       |    |       |                |
|                 | 150DL537   | 37             | 777 |     |     |     |     |     |     |     | 296        |    |     |     |     |     |     |      |     |     |       |    |       |                |
|                 | 150DL545   | 45             | 777 |     |     |     |     |     |     |     | 296        |    |     |     |     |     |     |      |     |     |       |    |       |                |
|                 | 200DL55.5  | 5.5            | 672 |     |     |     |     |     |     |     | 81         |    |     |     |     |     |     |      |     |     |       |    |       |                |
| 200DL57.5       | 7.5        | 703            | 85  |     |     |     |     |     |     |     |            |    |     |     |     |     |     |      |     |     |       |    |       |                |
| 200DL511        | 11         | 736            | 84  |     |     |     |     |     |     |     |            |    |     |     |     |     |     |      |     |     |       |    |       |                |
| 200DL515        | 15         | 736            | 84  |     |     |     |     |     |     |     |            |    |     |     |     |     |     |      |     |     |       |    |       |                |
| 200DL518.5      | 18.5       | 772            | 80  |     |     |     |     |     |     |     |            |    |     |     |     |     |     |      |     |     |       |    |       |                |
| 200DL522        | 22         | 772            | 80  |     |     |     |     |     |     |     |            |    |     |     |     |     |     |      |     |     |       |    |       |                |
| 200DL530        | 30         | 777            | 288 |     |     |     |     |     |     |     |            |    |     |     |     |     |     |      |     |     |       |    |       |                |
| 200DL537        | 37         | 777            | 296 |     |     |     |     |     |     |     |            |    |     |     |     |     |     |      |     |     |       |    |       |                |
| 200DL545        | 45         | 777            | 296 |     |     |     |     |     |     |     |            |    |     |     |     |     |     |      |     |     |       |    |       |                |

(\* ) - L.W.L (Low Water Level)  
 - Operation is limited to 10 minutes at L.W.L.  
 - Operation is limited to 30 minutes with water level below top of motor

250DL, 300DL with QDC

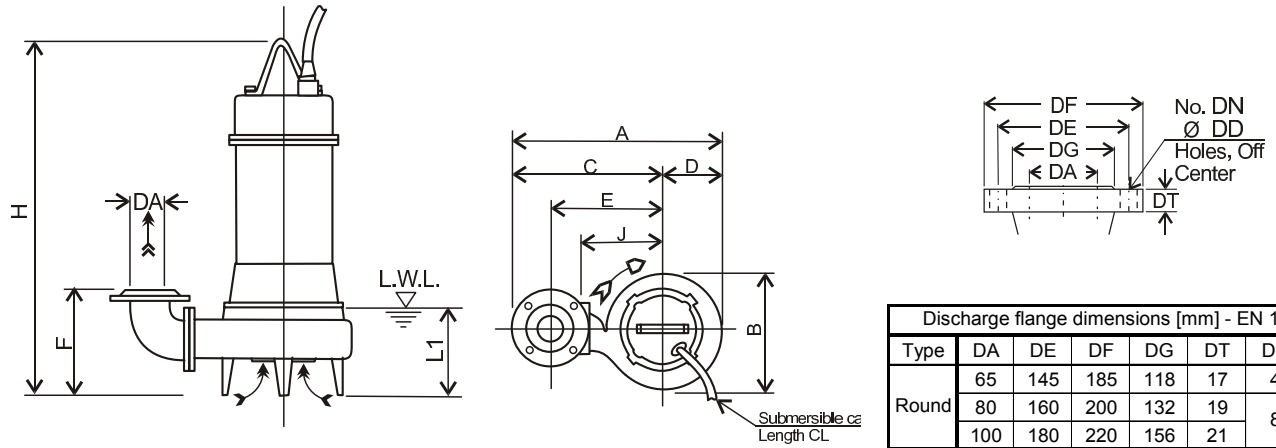


| Dimensions [mm] |            |                |     |     |     |     |     |     |     |           |     |     |     |     |     |      |      |       |       |       |                |     |
|-----------------|------------|----------------|-----|-----|-----|-----|-----|-----|-----|-----------|-----|-----|-----|-----|-----|------|------|-------|-------|-------|----------------|-----|
| Size<br>DA      | Model      | Output<br>[kW] | A   | P1  | P2  | F   | H1  | H2  | H3  | L1<br>(*) | L6  | BN1 | BN2 | BM  | BP  | BY1  | BW   | DM    | I     | QDC   |                |     |
|                 |            |                |     |     |     |     |     |     |     |           |     |     |     |     |     |      |      |       |       | Model | Weight<br>[kg] |     |
| 250             | 250DL57.5  | 7.5            | 834 | 195 | 435 | 700 | 350 | 440 | 510 | 400       | 58  | 70  | 70  | 650 | 500 | 560  | 1200 | 900   | LL250 | 150   |                |     |
|                 | 250DL511   | 11             | 858 |     |     |     |     |     |     |           | 46  |     |     |     |     |      |      |       |       |       |                |     |
|                 | 250DL515   | 15             | 872 |     |     |     |     |     |     |           | 34  |     |     |     |     |      |      |       |       |       |                |     |
|                 | 250DL518.5 | 18.5           | 872 |     |     |     |     |     |     |           | 34  |     |     |     |     |      |      |       |       |       |                |     |
|                 | 250DL522   | 22             | 872 |     |     |     |     |     |     |           | 34  |     |     |     |     |      |      |       |       |       |                |     |
|                 | 250DL530   | 30             | 990 |     |     |     |     |     |     |           | 292 |     |     |     |     |      |      |       |       |       |                | 300 |
|                 | 250DL537   | 37             | 990 |     |     |     |     |     |     |           | 319 |     |     |     |     |      |      |       |       |       |                | 300 |
| 250DL545        | 45         | 990            | 319 | 300 |     |     |     |     |     |           |     |     |     |     |     |      |      |       |       |       |                |     |
| 300             | 300DL511   | 11             | 917 | 465 | 800 | 430 | 550 | 620 | 450 | 109       | 70  | 70  | 680 | 580 | 640 | 1200 | 900  | LL300 | 200   |       |                |     |
|                 | 300DL515   | 15             | 952 |     |     |     |     |     |     | 112       |     |     |     |     |     |      |      |       |       |       |                |     |
|                 | 300DL518.5 | 18.5           | 952 |     |     |     |     |     |     | 112       |     |     |     |     |     |      |      |       |       |       |                |     |
|                 | 300DL522   | 22             | 952 |     |     |     |     |     |     | 112       |     |     |     |     |     |      |      |       |       |       |                |     |
|                 | 300DL530   | 30             | 990 |     |     |     |     |     |     | 292       |     |     |     |     |     |      |      |       |       |       | 300            |     |
|                 | 300DL537   | 37             | 990 |     |     |     |     |     |     | 319       |     |     |     |     |     |      |      |       |       |       | 300            |     |
|                 | 300DL545   | 45             | 990 |     |     |     |     |     |     | 319       |     |     |     |     |     |      |      |       |       |       | 300            |     |

(\*) - L.W.L (Low Water Level)  
 - Operation is limited to 10 minutes at L.W.L.  
 - Operation is limited to 30 minutes with water level below top of motor



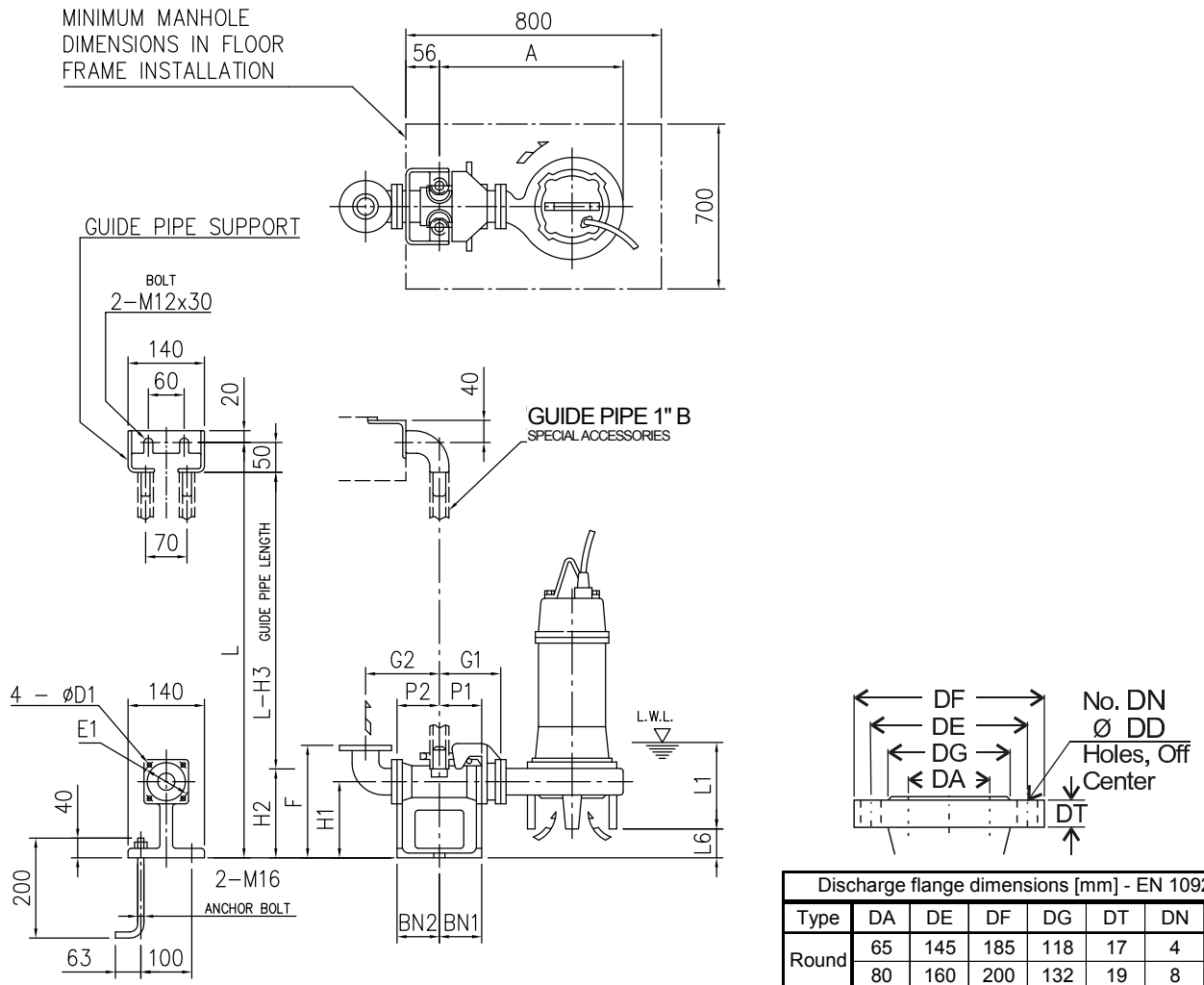
DL W/C



| Dimensions [mm] |               |             |     |     |     |     |     |     |     |     |        |        |             |
|-----------------|---------------|-------------|-----|-----|-----|-----|-----|-----|-----|-----|--------|--------|-------------|
| Size DA         | Model         | Output [kW] | A   | B   | C   | D   | E   | F   | H   | J   | L1 (*) | CL [m] | Weight [kg] |
| 65              | 65DL51.5W/C   | 1.5         | 497 | 291 | 353 | 144 | 265 | 200 | 576 | 200 | 140    | 10     | 52          |
| 80              | 80DL51.5W/C   | 1.5         | 524 | 292 | 378 | 146 | 285 | 220 | 597 | 210 | 165    |        | 55          |
|                 | 80DL52.2W/C   | 2.2         | 542 | 308 | 388 | 154 | 295 |     | 654 | 220 |        |        | 67          |
|                 | 80DL53.7W/C   | 3.7         | 567 | 328 | 403 | 164 | 310 |     | 687 | 235 |        |        | 75          |
| 100             | 100DL53.7W/C  | 3.7         | 614 | 335 | 445 | 169 | 340 | 250 | 706 | 235 | 185    |        | 79          |
|                 | 100DLB55.5W/C | 5.5         | 646 | 369 | 460 | 186 | 355 | 323 | 768 | 250 | 205    |        | 123         |
|                 | 100DLB57.5W/C | 7.5         | 673 | 385 | 480 | 193 | 375 |     | 760 | 270 |        | 141    |             |

- (\*)
- L.W.L. (Low Water Level)
  - Operation is limited to 10 minutes at L.W.L.
  - Operation is limited to 30 minutes with water level below top of motor

65DL W/C, 80DL W/C (1.5÷3.7 kW) with QDC



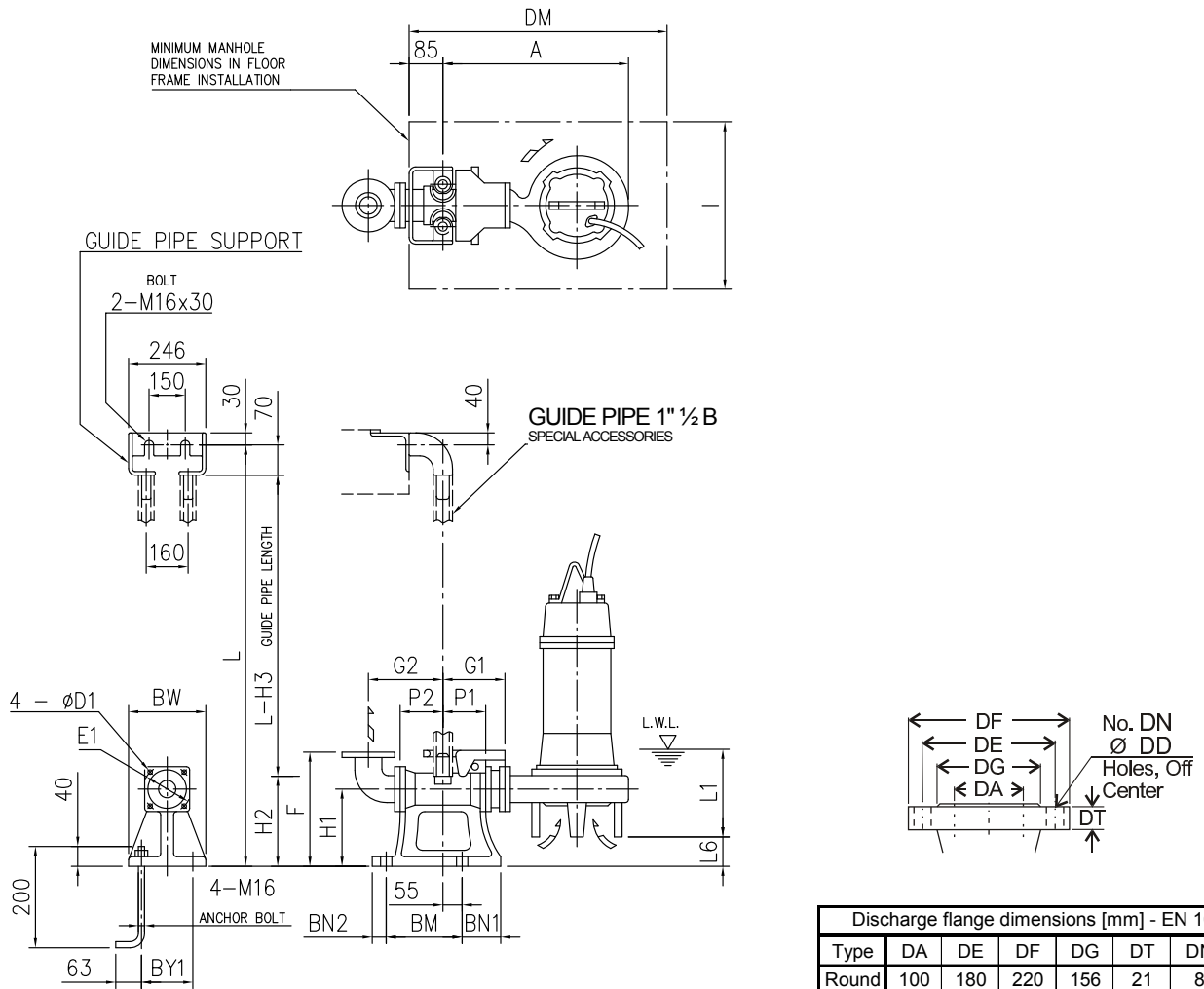
Discharge flange dimensions [mm] - EN 1092-2

| Type  | DA | DE  | DF  | DG  | DT | DN | DD |
|-------|----|-----|-----|-----|----|----|----|
| Round | 65 | 145 | 185 | 118 | 17 | 4  | 19 |
|       | 80 | 160 | 200 | 132 | 19 | 8  |    |

| Dimensions [mm] |             |                |     |    |    |     |     |     |     |     |     |           |    |     |     |    |     |       |                |  |
|-----------------|-------------|----------------|-----|----|----|-----|-----|-----|-----|-----|-----|-----------|----|-----|-----|----|-----|-------|----------------|--|
| Size<br>DA      | Model       | Output<br>[kW] | A   | P1 | P2 | G1  | G2  | F   | H1  | H2  | H3  | L1<br>(*) | L6 | BN1 | BN2 | D1 | E1  | QDC   |                |  |
|                 |             |                |     |    |    |     |     |     |     |     |     |           |    |     |     |    |     | Model | Weight<br>[kg] |  |
| 65              | 65DL51.5W/C | 1.5            | 464 | 75 | 95 | 120 | 160 | 250 | 145 | 190 | 240 | 140       | 50 | 75  | 95  | 12 | 140 | LM65  | 14             |  |
|                 | 80DL51.5W/C | 1.5            | 481 |    | 90 | 125 | 165 | 285 | 175 | 230 | 280 | 165       | 65 |     | 90  | 15 | 155 | LM80  | 17             |  |
| 80              | 80DL52.2W/C | 2.2            | 499 |    | 90 | 125 | 165 | 285 | 175 | 230 | 280 | 165       | 65 |     | 90  | 15 | 155 | LM80  | 17             |  |
|                 | 80DL53.7W/C | 3.7            | 524 |    | 90 | 125 | 165 | 285 | 175 | 230 | 280 | 165       | 65 |     | 90  | 15 | 155 | LM80  | 17             |  |

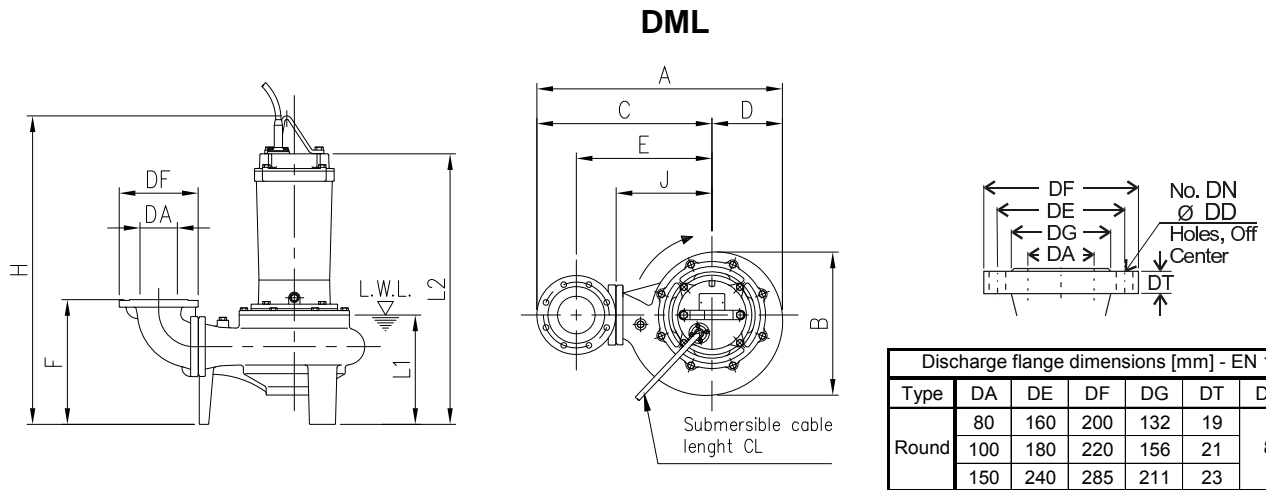
- L.W.L (Low Water Level)
- (\*) - Operation is limited to 10 minutes at L.W.L.
- Operation is limited to 30 minutes with water level below top of motor

100DL W/C with QDC



| Dimensions [mm] |               |             |     |     |     |     |     |     |     |     |     |        |     |     |     |     |     |     |     |     |    |     |           |             |
|-----------------|---------------|-------------|-----|-----|-----|-----|-----|-----|-----|-----|-----|--------|-----|-----|-----|-----|-----|-----|-----|-----|----|-----|-----------|-------------|
| Size            | Model         | Output [kW] | A   | P1  | P2  | G1  | G2  | F   | H1  | H2  | H3  | L1 (*) | L6  | BN1 | BN2 | BM  | BY1 | BW  | DM  | I   | D1 | E1  | QDC Model | Weight [kg] |
| 100             | 100DL53.7W/C  | 3.7         | 589 |     |     |     |     |     |     |     |     | 185    | 115 |     |     |     |     |     |     |     |    |     |           |             |
|                 | 100DLB55.5W/C | 5.5         | 621 | 105 | 105 | 185 | 210 | 365 | 240 | 265 | 335 | 205    | 42  | 100 | 40  | 220 | 180 | 230 | 800 | 700 | 19 | 175 | LL100     | 46          |
|                 | 100DLB57.5W/C | 7.5         | 648 |     |     |     |     |     |     |     |     |        |     |     |     |     |     |     |     |     |    |     |           |             |

(\*) - L.W.L (Low Water Level)  
 - Operation is limited to 10 minutes at L.W.L.  
 - Operation is limited to 30 minutes with water level below top of motor

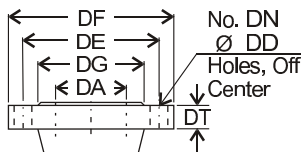
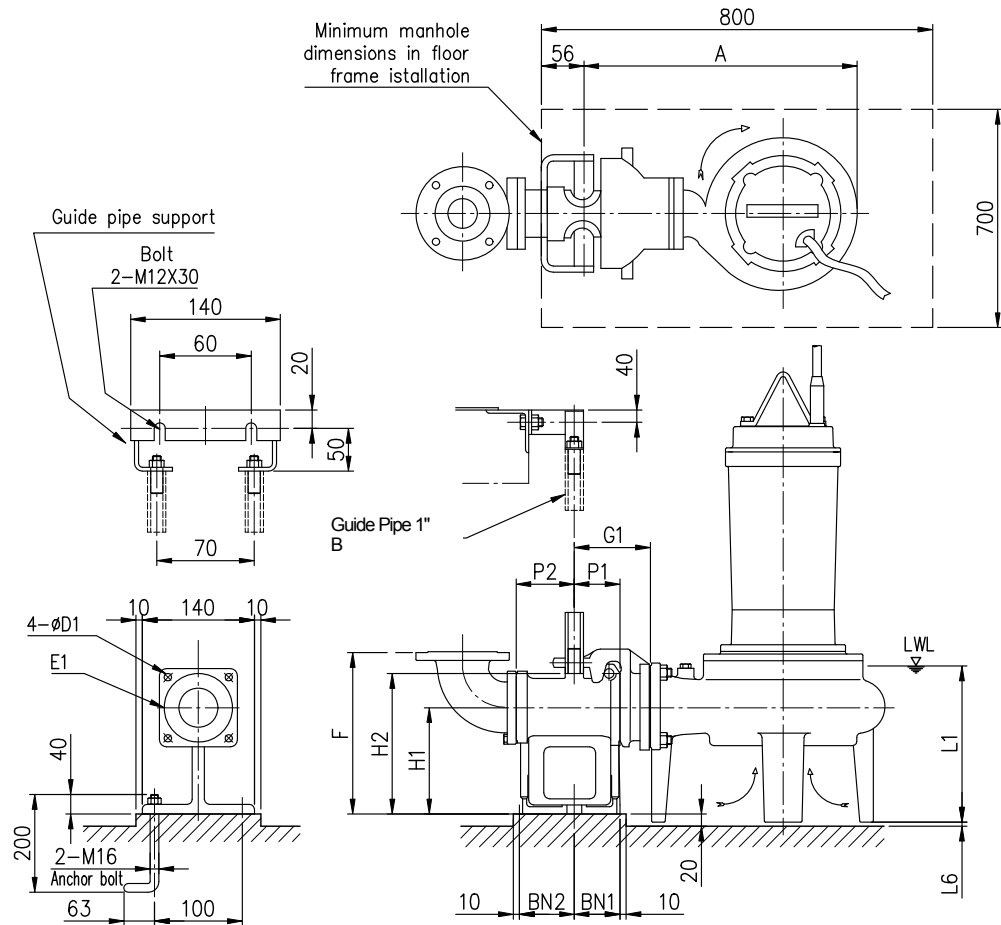


| Type  | DA  | DE  | DF  | DG  | DT | DN | DD |
|-------|-----|-----|-----|-----|----|----|----|
| Round | 80  | 160 | 200 | 132 | 19 | 8  | 19 |
|       | 100 | 180 | 220 | 156 | 21 |    |    |
|       | 150 | 240 | 285 | 211 | 23 |    |    |

| Size DA | Model      | Output [kW] | A     | B   | C     | D   | E   | F   | H   | J   | L1 (*) | L2  | CL [m] | Weight [kg] |       |      |     |     |      |     |
|---------|------------|-------------|-------|-----|-------|-----|-----|-----|-----|-----|--------|-----|--------|-------------|-------|------|-----|-----|------|-----|
| 80      | 80DML52.2  | 2.2         | 542   | 320 | 385   | 157 | 285 | 308 | 668 | 210 | 279    | 547 | 10     | 80          |       |      |     |     |      |     |
|         | 80DML53.7  | 3.7         |       |     | 425   |     | 315 | 313 |     |     |        |     |        | 727         | 627   | 87   |     |     |      |     |
| 100     | 100DML53.7 | 3.7         | 582   | 381 | 470   | 188 | 360 | 339 | 824 | 255 | 310    | 724 |        | 89          |       |      |     |     |      |     |
|         | 100DML55.5 | 5.5         | 658   |     | 530   |     | 420 | 355 |     |     |        |     |        | 938         | 315   | 329  | 778 | 121 |      |     |
|         | 100DML57.5 | 7.5         | 751   |     | 530   |     | 221 | 420 |     |     |        |     |        | 355         | 938   | 315  | 329 | 778 | 125  |     |
|         | 100DML511  | 11          | 751   |     | 455   |     | 530 | 221 |     |     |        |     |        | 420         | 355   | 938  | 315 | 329 | 778  | 160 |
|         | 100DML515  | 15          | 795   |     | 497   |     | 550 | 245 |     |     |        |     |        | 440         | 358   | 1021 | 335 | 342 | 841  | 166 |
|         | 100DML522  | 22          | 795   |     | 497   |     | 550 | 245 |     |     |        |     |        | 440         | 358   | 1021 | 335 | 342 | 841  | 226 |
| 150     | 150DML55.5 | 5.5         | 715.5 | 381 | 527.5 | 188 | 385 | 369 | 824 | 255 | 310    | 724 |        | 127         |       |      |     |     |      |     |
|         | 150DML57.5 | 7.5         |       |     |       |     |     |     |     |     |        |     |        | 132         |       |      |     |     |      |     |
|         | 150DML511  | 11          | 808.5 | 455 | 587.5 | 221 | 445 | 385 | 938 | 315 | 329    | 778 | 166    |             |       |      |     |     |      |     |
|         | 150DML515  | 15          |       |     |       |     |     |     |     |     |        |     | 172    |             |       |      |     |     |      |     |
|         | 150DML522  | 22          |       |     |       |     |     |     |     |     |        |     | 852.5  | 497         | 607.5 | 245  | 465 | 388 | 1021 | 335 |

- (\*) - L.W.L (Low Water Level)  
 - Operation is limited to 10 minutes at L.W.L.  
 - Operation is limited to 30 minutes with water level below top of motor

80DML, 100DML (3.7 kW) with QDC

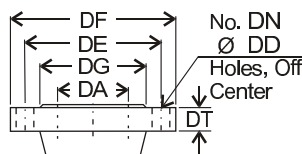
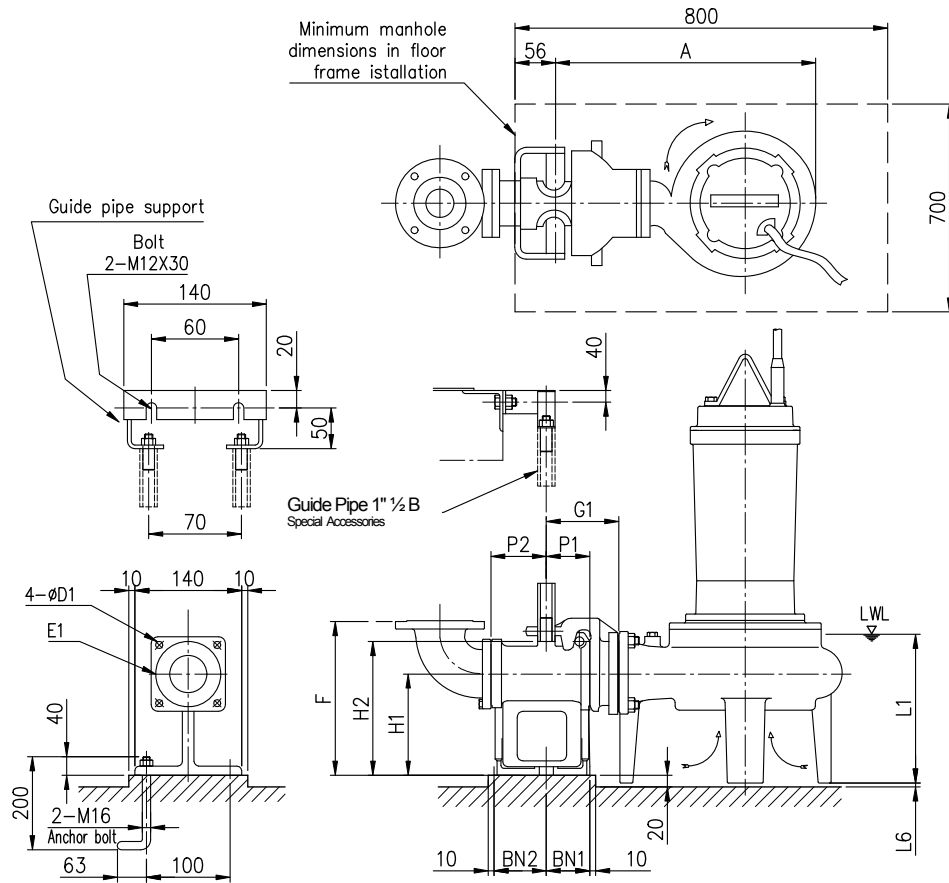


| Discharge flange dimensions [mm] - EN 1092-2 |     |     |     |     |    |    |    |
|--|-----|-----|-----|-----|----|----|----|
| Type   | DA  | DE  | DF  | DG  | DT | DN | DD |
| Round  | 80  | 160 | 200 | 132 | 19 | 8  | 19 |
|  | 100 | 180 | 220 | 156 | 21 |    |    |

| Dimensions [mm] |            |             |     |    |    |     |     |     |     |     |        |    |     |     |    |     |           |                 |
|-----------------|------------|-------------|-----|----|----|-----|-----|-----|-----|-----|--------|----|-----|-----|----|-----|-----------|-----------------|
| Size DA         | Model      | Output [kW] | A   | P1 | P2 | G1  | G2  | F   | H1  | H2  | L1 (*) | L6 | BN1 | BN2 | D1 | E1  | QDC Model | QDC Weight [kg] |
| 80              | 80DML52.2  | 2.2         | 492 | 75 | 90 | 125 | 165 | 295 | 175 | 230 | 279    | 7  | 75  | 90  | 15 | 155 | LM80      | 17              |
|                 | 80DML53.7  | 3.7         |     |    |    |     | 195 | 300 |     |     |        |    |     |     |    |     |           |                 |
| 100             | 100DML53.7 | 3.7         |     |    |    |     |     |     |     |     |        |    |     |     |    |     |           |                 |

- (\*) - L.W.L (Low Water Level)
- Operation is limited to 10 minutes at L.W.L.
- Operation is limited to 30 minutes with water level below top of motor

100DML (5.5÷22 kW), 150DML with QDC

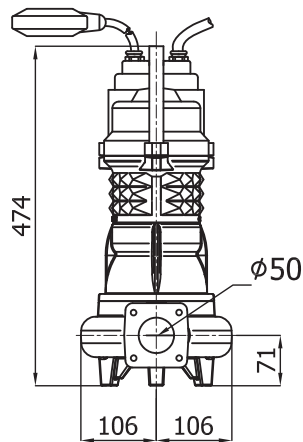
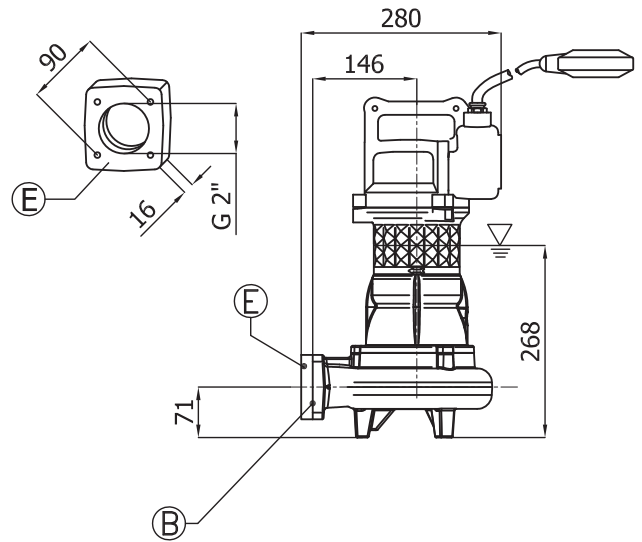
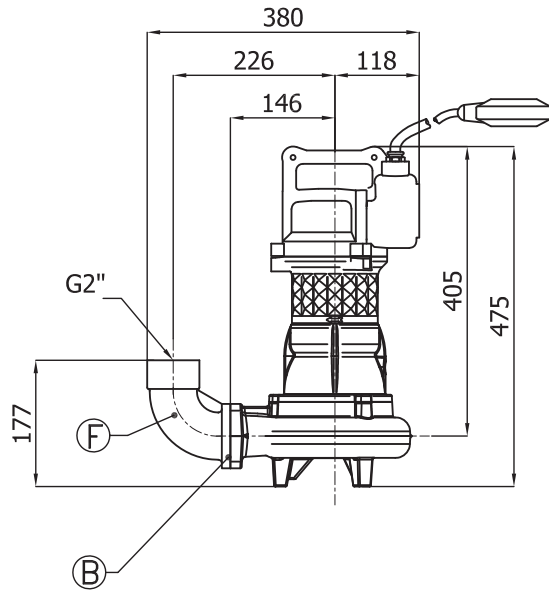


| Discharge flange dimensions [mm] - EN 1092-2 |     |     |     |     |    |    |    |
|--|-----|-----|-----|-----|----|----|----|
| Type   | DA  | DE  | DF  | DG  | DT | DN | DD |
| Round  | 100 | 180 | 220 | 156 | 21 | 8  | 19 |
|  | 150 | 240 | 285 | 211 | 23 |    | 23 |

| Dimensions [mm] |            |             |     |    |    |    |    |   |    |    |        |     |     |     |    |     |    |    |      |    |    |           |             |     |     |     |     |       |      |
|-----------------|------------|-------------|-----|----|----|----|----|---|----|----|--------|-----|-----|-----|----|-----|----|----|------|----|----|-----------|-------------|-----|-----|-----|-----|-------|------|
| Size DA         | Model      | Output [kW] | A   | P1 | P2 | G1 | G2 | F | H1 | H2 | L1 (*) | L6  | BN1 | BN2 | BM | BY1 | BW | DM | I    | D1 | E1 | QDC Model | Weight [kg] |     |     |     |     |       |      |
| 100             | 100DML55.5 | 5.5         | 628 |    |    |    |    |   |    |    | 310    | 31  |     |     |    |     |    |    | 800  |    |    |           |             |     |     |     |     |       |      |
|                 | 100DML57.5 | 7.5         |     |    |    |    |    |   |    |    | 329    | 15  |     |     |    |     |    |    | 1000 |    |    |           |             |     |     |     |     |       |      |
|                 | 100DML511  | 11          | 721 |    |    |    |    |   |    |    | 210    | 370 |     |     |    |     |    |    | 342  |    |    |           |             | 12  | 700 | 19  | 175 | LL100 | 46kg |
|                 | 100DML515  | 15          | 765 |    |    |    |    |   |    |    | 105    | 105 |     |     |    |     |    |    | 185  |    |    |           |             | 240 | 265 | 230 |     |       |      |
|                 | 100DML522  | 22          | 765 |    |    |    |    |   |    |    | 105    | 105 |     |     |    |     |    |    | 185  |    |    |           |             | 240 | 265 | 230 |     |       |      |
| 150             | 150DML55.5 | 5.5         | 628 |    |    |    |    |   |    |    | 310    | 31  |     |     |    |     |    |    | 800  |    |    |           |             |     |     |     |     |       |      |
|                 | 150DML57.5 | 7.5         |     |    |    |    |    |   |    |    | 329    | 15  |     |     |    |     |    |    | 1000 |    |    |           |             |     |     |     |     |       |      |
|                 | 150DML511  | 11          | 721 |    |    |    |    |   |    |    | 235    | 400 |     |     |    |     |    |    | 342  |    |    |           |             | 12  | 700 | 19  | 175 | LL100 | 46kg |
|                 | 150DML515  | 15          | 765 |    |    |    |    |   |    |    | 105    | 105 |     |     |    |     |    |    | 185  |    |    |           |             | 240 | 265 | 230 |     |       |      |
|                 | 150DML522  | 22          | 765 |    |    |    |    |   |    |    | 105    | 105 |     |     |    |     |    |    | 185  |    |    |           |             | 240 | 265 | 230 |     |       |      |

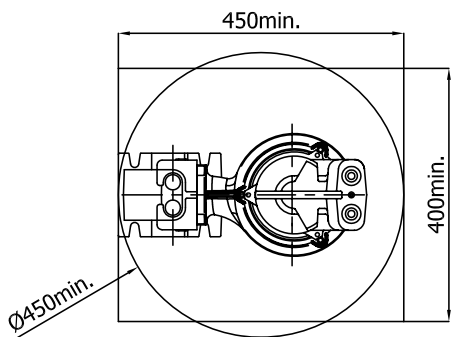
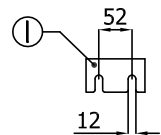
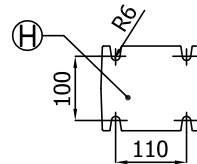
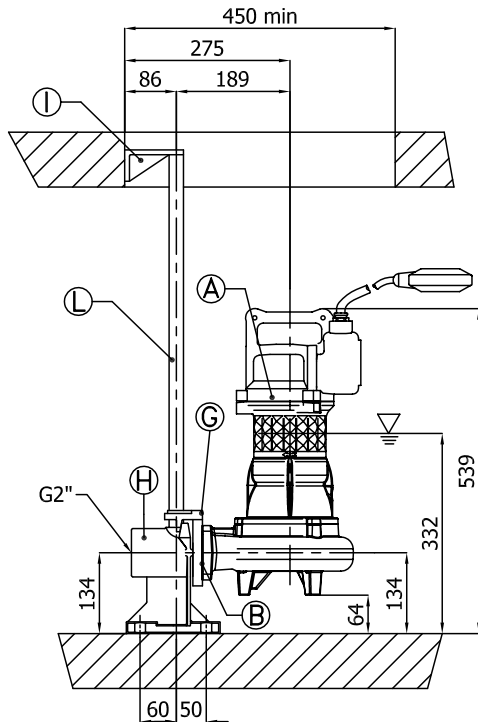
(\*) - L.V.L (Low Water Level)  
 - Operation is limited to 10 minutes at L.W.L.  
 - Operation is limited to 30 minutes with water level below top of motor

50DMLF/50DMLF with QDC (1.4 kW)



| Size<br>DA | Model          | Output<br>[kW] | Weight<br>[kgf] |
|------------|----------------|----------------|-----------------|
| 50         | 50DMLF51.4M2BG | 1,4            | 31              |

LIVELLO MINIMO DI  
 SOMMERSIBILITA'  
 MINIMUM SUBMERSIBLE LEVEL

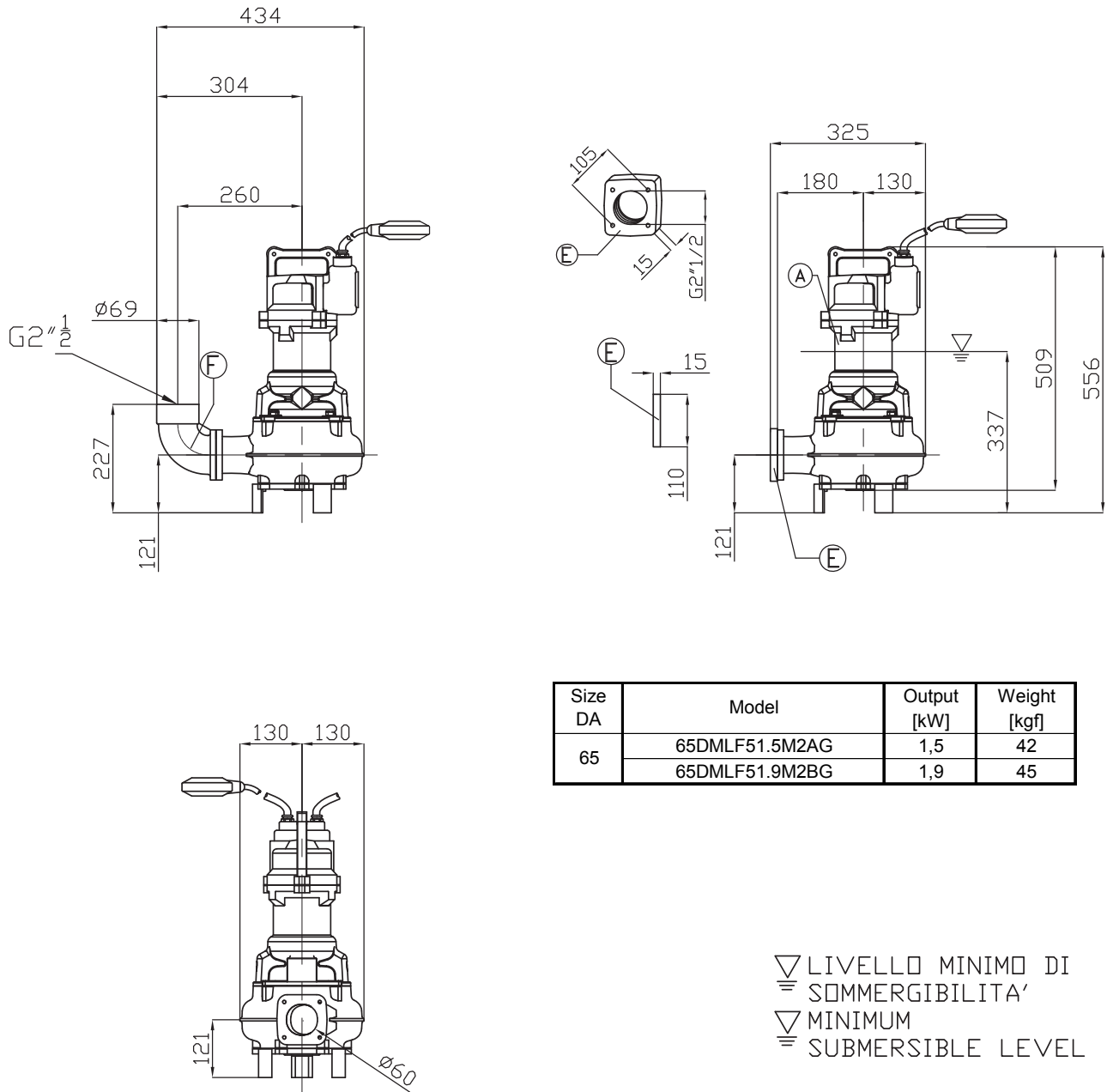


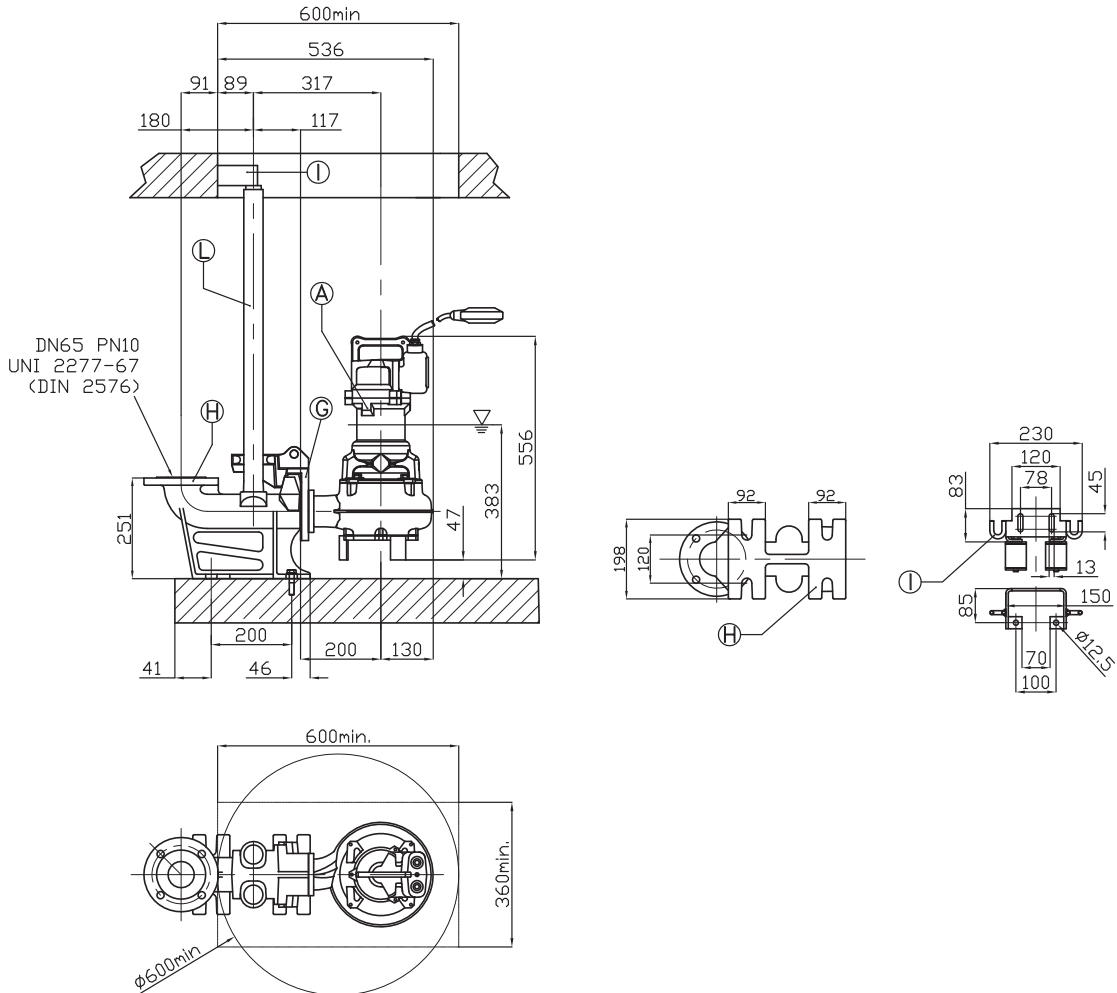
▽ LIVELLO MINIMO DI  
SOMMERSIBILITA'  
▽ MINIMUM  
SUBMERSIBLE LEVEL

| POSITION | DESCRIPTION                            | MATERIAL         | WEIGHT [kgf] |
|----------|--|------------------|--------------|
| A        | SUBMERSIBLE PUMP                       | -                | -            |
| B        | RUBBER JOINT DN50                      | NEOPRENE         | -            |
| E        | THREADED FLANGE 2"                     | G250 CAST-IRON   | 1            |
| F        | THREADED ELBOW 90° 2"                  | G250 CAST-IRON   | 3            |
| G        | DOUBLE GUIDE RAIL COUPLING FLANGE DN50 | G250 CAST IRON   | 1.5          |
| H        | DOUBLE GUIDE CUOPLING FEET DN50        | G250 CAST-IRON   | 6            |
| I        | DOUBLE GUIDE RAIL UPPER SUPPORT 3/4    | G250 CAST-IRON   | 1.1          |
| L        | GUIDE RAIL 3/4"                        | GALVANIZED STEEL | -            |



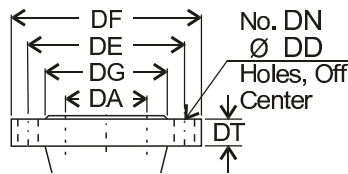
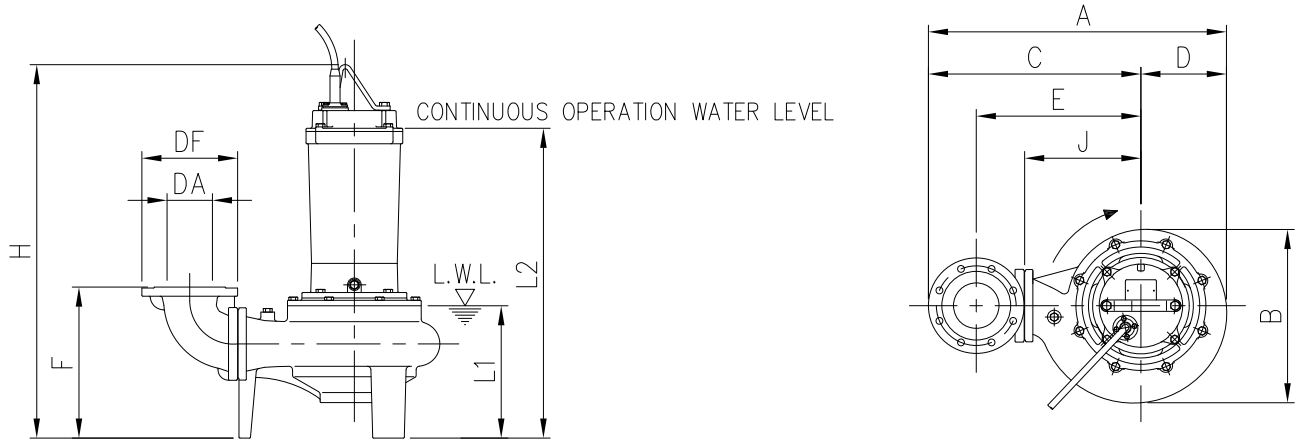
65DMLF/65DMLF with QDC (1.5÷1.9 kW)





| POSITION | DESCRIPTION                            | MATERIAL         | WEIGHT [kgf] |
|----------|--|------------------|--------------|
| A        | SUBMERSIBLE PUMP                       | -                | -            |
| B        | RUBBER JOINT DN65                      | NEOPRENE         | -            |
| E        | THREADED FLANGE 2" 1/2                 | G 250 CAST-IRON  | 1            |
| F        | THREADED ELBOW 90° 2" 1/2              | G 250 CAST-IRON  | 3            |
| G        | DOUBLE GUIDE RAIL COUPLING FLANGE DN65 | G250 CAST IRON   | 4            |
| H        | DOUBLE GUIDE CUOPLING FEET DN65        | G 250 CAST-IRON  | 19           |
| I        | DOUBLE GUIDE RAIL UPPER SUPPORT 2"     | GALVANIZED STEEL | 1.9          |
| L        | GUIDE RAIL 2"                          | GALVANIZED STEEL | -            |

**DMLV**

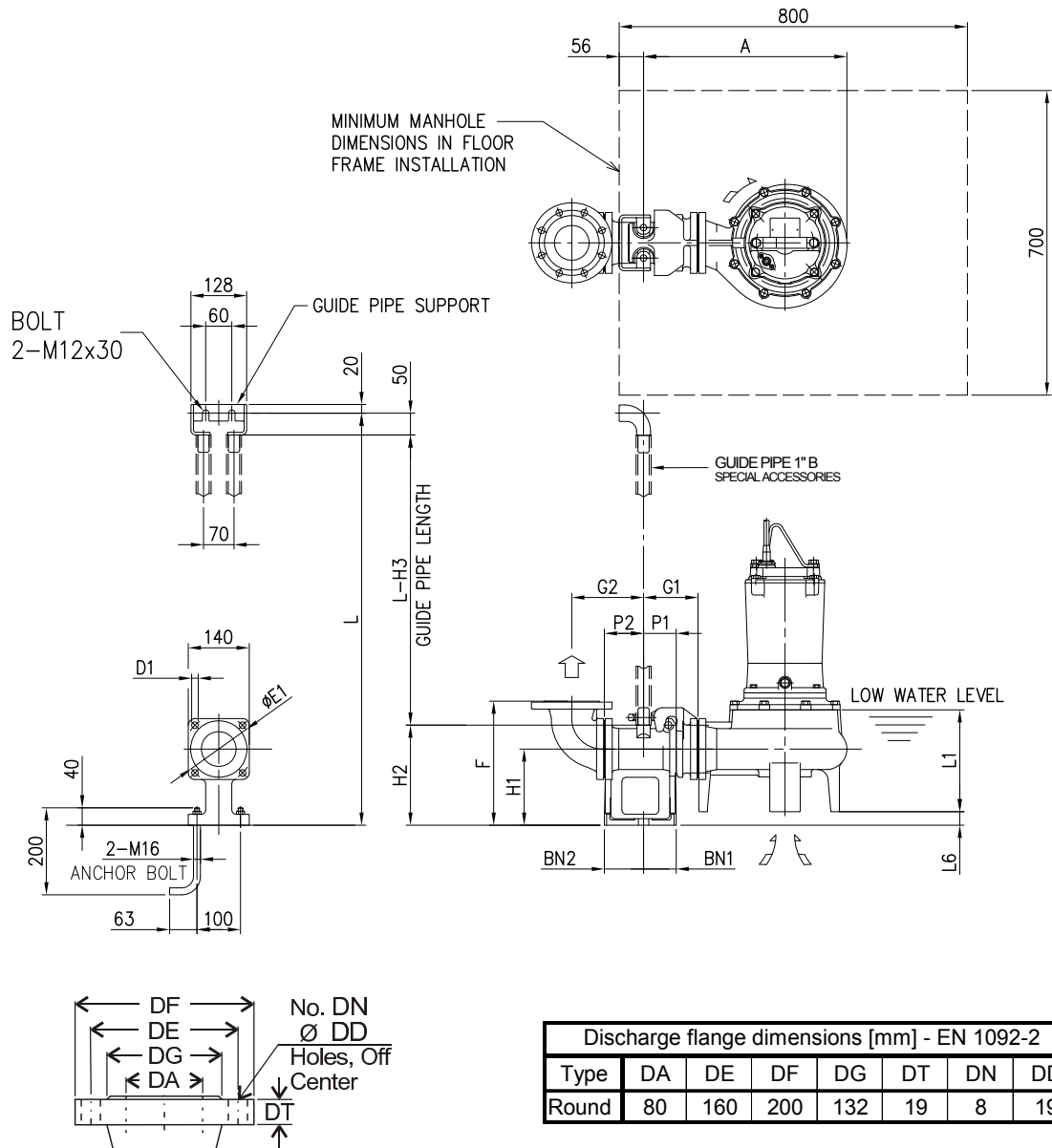


| Discharge flange dimensions [mm] - EN 1092-2 |     |     |     |     |    |    |    |
|--|-----|-----|-----|-----|----|----|----|
| Type   | DA  | DE  | DF  | DG  | DT | DN | DD |
| Round  | 80  | 160 | 200 | 132 | 19 | 8  | 19 |
|  | 100 | 180 | 220 | 156 | 21 |    |    |

| Dimensions [mm] |             |             |     |     |     |     |     |     |     |     |        |     |        |             |
|-----------------|-------------|-------------|-----|-----|-----|-----|-----|-----|-----|-----|--------|-----|--------|-------------|
| Size DA         | Model       | Output [kW] | A   | B   | C   | D   | E   | F   | H   | J   | L1 (*) | L2  | CL [m] | Weight [kg] |
| 80              | 80DMLV52.2  | 2.2         | 518 | 285 | 375 | 143 | 275 | 254 | 660 | 200 | 200    | 560 | 10     | 70          |
|                 | 80DMLV53.7  | 3.7         |     |     |     |     |     |     |     |     |        | 620 |        | 80          |
| 100             | 100DMLV55.5 | 5.5         | 584 | 308 | 430 | 154 | 320 | 305 | 860 | 215 | 250    | 760 | 10     | 105         |
|                 | 100DMLV57.5 | 7.5         |     |     |     |     |     |     |     |     |        | 810 |        | 120         |
|                 | 100DMLV511  | 11          | 728 | 426 | 515 | 213 | 405 |     | 970 | 300 | 865    | 150 |        |             |
|                 | 100DMLV515  | 15          |     |     |     |     |     |     |     |     | 810    | 180 |        |             |
|                 | 100DMLV522  | 22          |     |     |     |     |     |     |     |     | 1045   | 865 |        | 235         |

- (\*) - L.W.L (Low Water Level)  
 - Operation is limited to 10 minutes at L.W.L.  
 - Operation is limited to 30 minutes with water level below top of motor

80DMLV with QDC

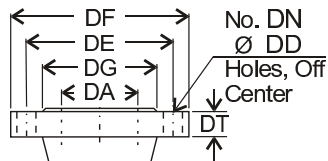
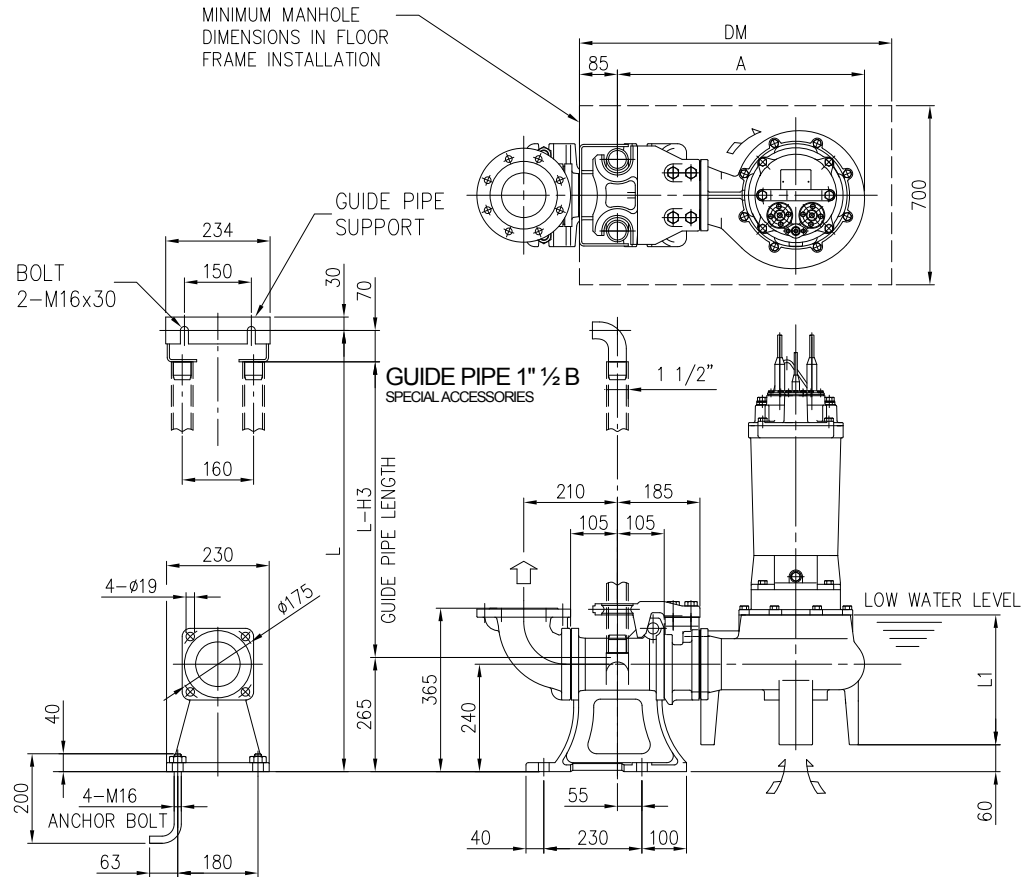


| Discharge flange dimensions [mm] - EN 1092-2 |    |     |     |     |    |    |    |
|--|----|-----|-----|-----|----|----|----|
| Type   | DA | DE  | DF  | DG  | DT | DN | DD |
| Round  | 80 | 160 | 200 | 132 | 19 | 8  | 19 |

| Dimensions [mm] |              |                |     |    |    |     |     |     |     |     |     |            |    |     |     |    |     |       |                |
|-----------------|--------------|----------------|-----|----|----|-----|-----|-----|-----|-----|-----|------------|----|-----|-----|----|-----|-------|----------------|
| Size<br>DA      | Model        | Output<br>[kW] | A   | P1 | P2 | G1  | G2  | F   | H1  | H2  | H3  | L1<br>(* ) | L6 | BN1 | BN2 | D1 | E1  | QDC   |                |
|                 |              |                |     |    |    |     |     |     |     |     |     |            |    |     |     |    |     | Model | Weight<br>[kg] |
| 80              | 80 DMLV 52.2 | 2.2            | 468 | 75 | 90 | 125 | 165 | 285 | 175 | 230 | 280 | 200        | 31 | 75  | 90  | 15 | 155 | LM80  | 17             |
|                 | 80 DMLV 53.7 | 3.7            |     |    |    |     |     |     |     |     |     |            |    |     |     |    |     |       |                |

- L.W.L (Low Water Level)
- (\* ) - Operation is limited to 10 minutes at L.W.L.
- Operation is limited to 30 minutes with water level below top of motor

100DMLV with QDC

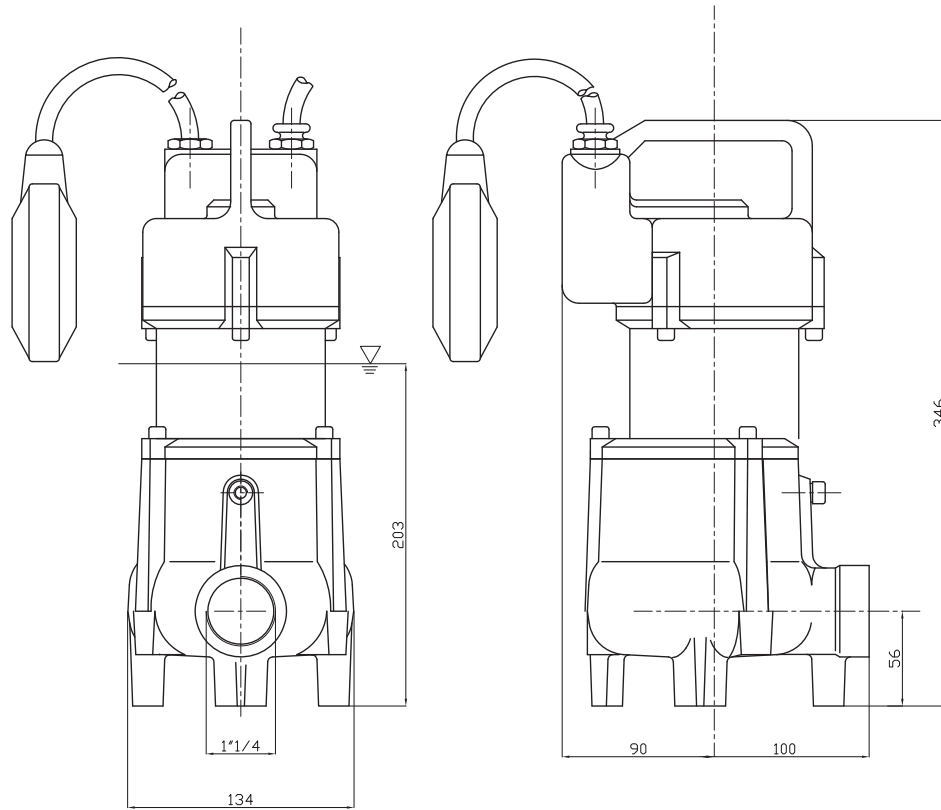


| Discharge flange dimensions [mm] - EN 1092-2 |     |     |     |     |    |    |    |
|--|-----|-----|-----|-----|----|----|----|
| Type   | DA  | DE  | DF  | DG  | DT | DN | DD |
| Round  | 100 | 180 | 220 | 156 | 21 | 8  | 19 |

| Dimensions [mm] |            |                |     |     |           |       |                |
|-----------------|------------|----------------|-----|-----|-----------|-------|----------------|
| Size<br>DA      | Model      | Output<br>[kW] | A   | H3  | L1<br>(*) | QDC   |                |
|                 |            |                |     |     |           | Model | Weight<br>[kg] |
| 100             | 100DML55.5 | 5.5            | 554 | 335 | 250       | LL100 | 46             |
|                 | 100DML57.5 | 7.5            | 611 |     |           |       |                |
|                 | 100DML511  | 11             | 698 |     | 300       |       |                |
|                 | 100DML515  | 15             |     |     |           |       |                |
|                 | 100DML522  | 22             |     |     |           |       |                |

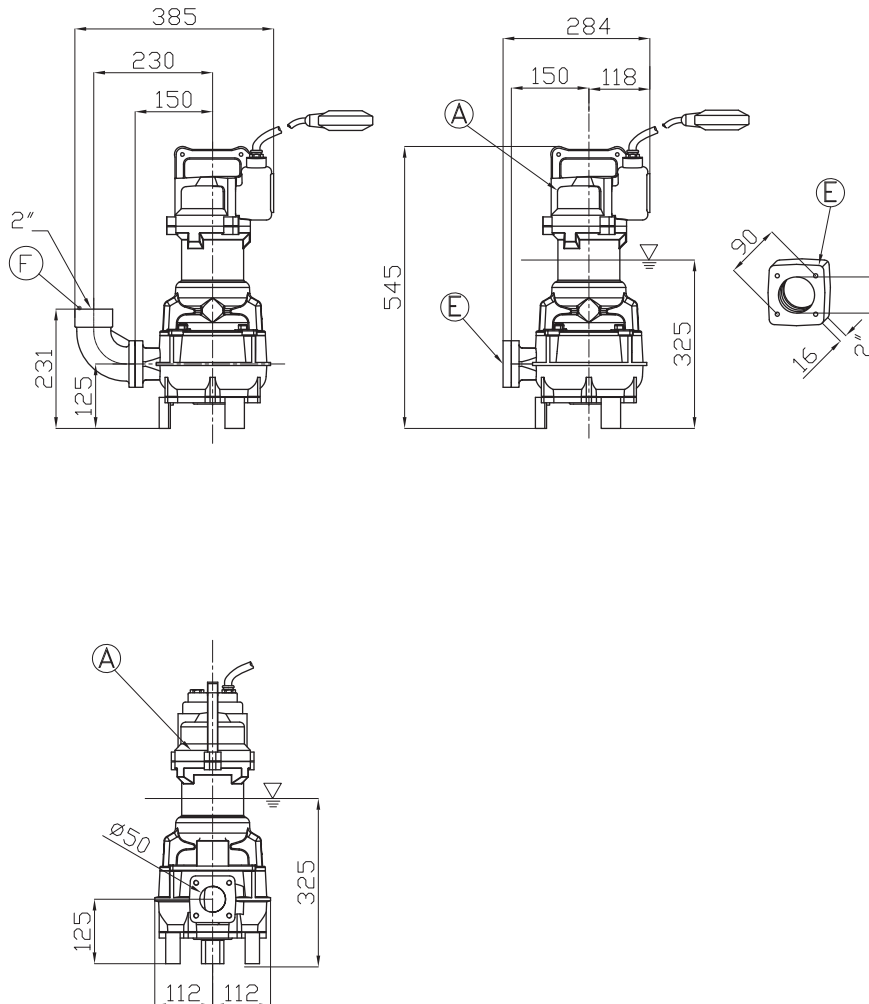
- (\*)
- L.W.L (Low Water Level)
  - Operation is limited to 10 minutes at L.W.L.
  - Operation is limited to 30 minutes with water level below top of motor

**40DMLVF (0.5 kW)**



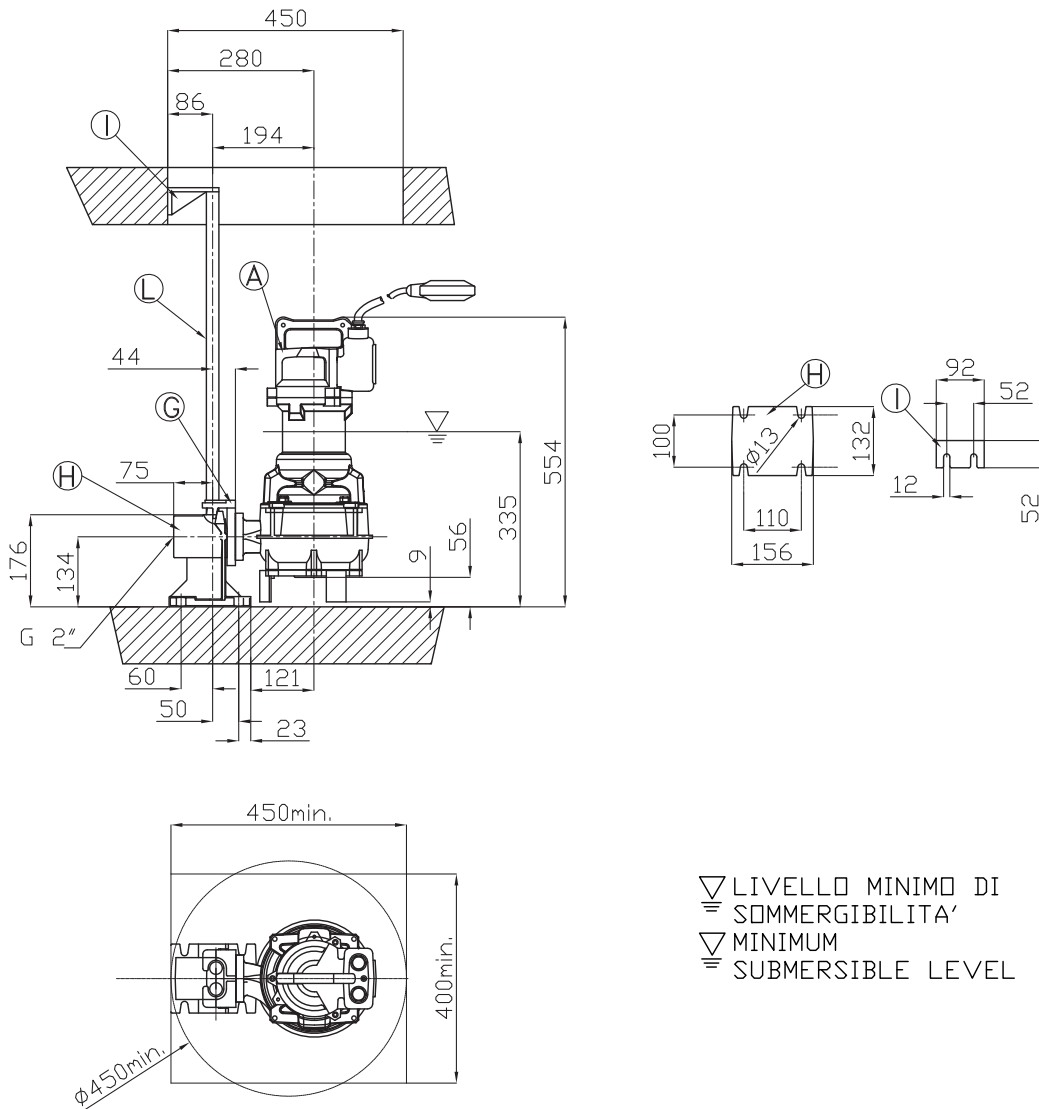
| Size<br>DA | Model           | Output<br>[kW] | Weight<br>[kgf] |
|------------|-----------------|----------------|-----------------|
| 1"1/4      | 40DMLVF50.5M2AG | 0,5            | 14              |

**50DMLVF/50DMLVF with QDC (1.5 ÷ 1.9 kW)**



| Size<br>DA | Model           | Output<br>[kW] | Weight<br>[kgf] |
|------------|-----------------|----------------|-----------------|
| 50         | 50DMLVF51.5M2CG | 1.5            | 43              |
|            | 50DMLVF51.5M2BG | 1.5            | 43              |
|            | 50DMLVF51.9M2AG | 1,9            | 43              |

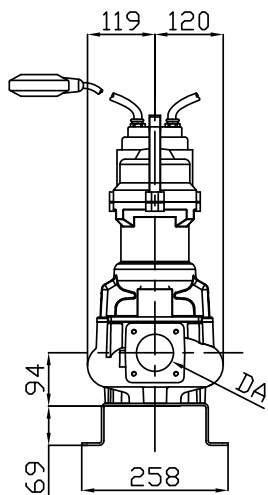
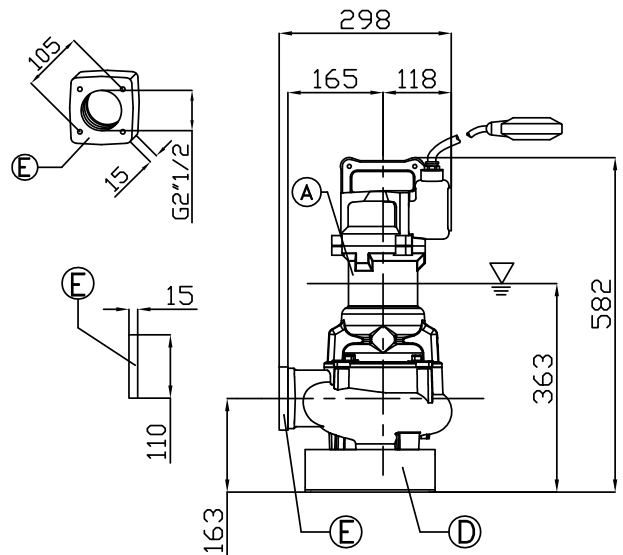
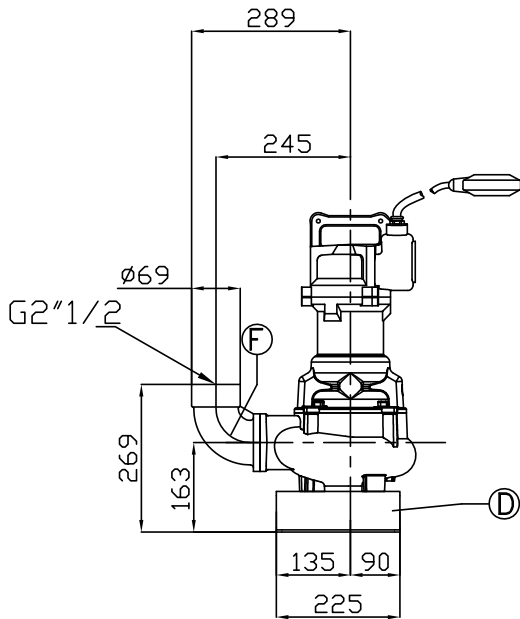
▽ LIVELLO MINIMO DI  
 ≡ SOMMERSIBILITA'  
 ▽ MINIMUM  
 ≡ SUBMERSIBLE LEVEL



| POSITION | DESCRIPTION                            | MATERIAL         | WEIGHT [kg] |
|----------|--|------------------|-------------|
| A        | SUBMERSIBLE PUMP                       | -                | -           |
| B        | RUBBER JOINT DN50                      | NEOPRENE         | -           |
| E        | THREADED FLANGE 2"                     | G250 CAST-IRON   | 1           |
| F        | THREADED ELBOW 90° 2"                  | G250 CAST-IRON   | 3           |
| G        | DOUBLE GUIDE RAIL COUPLING FLANGE DN50 | G250 CAST IRON   | 1.5         |
| H        | DOUBLE GUIDE CUOPLING FEET DN50        | G250 CAST-IRON   | 6           |
| I        | DOUBLE GUIDE RAIL UPPER SUPPORT 3/4    | G250 CAST-IRON   | 1.1         |
| L        | GUIDE RAIL 3/4                         | GALVANIZED STEEL | -           |



65DMLVF/65DMLVF with QDC (1.5 kW)



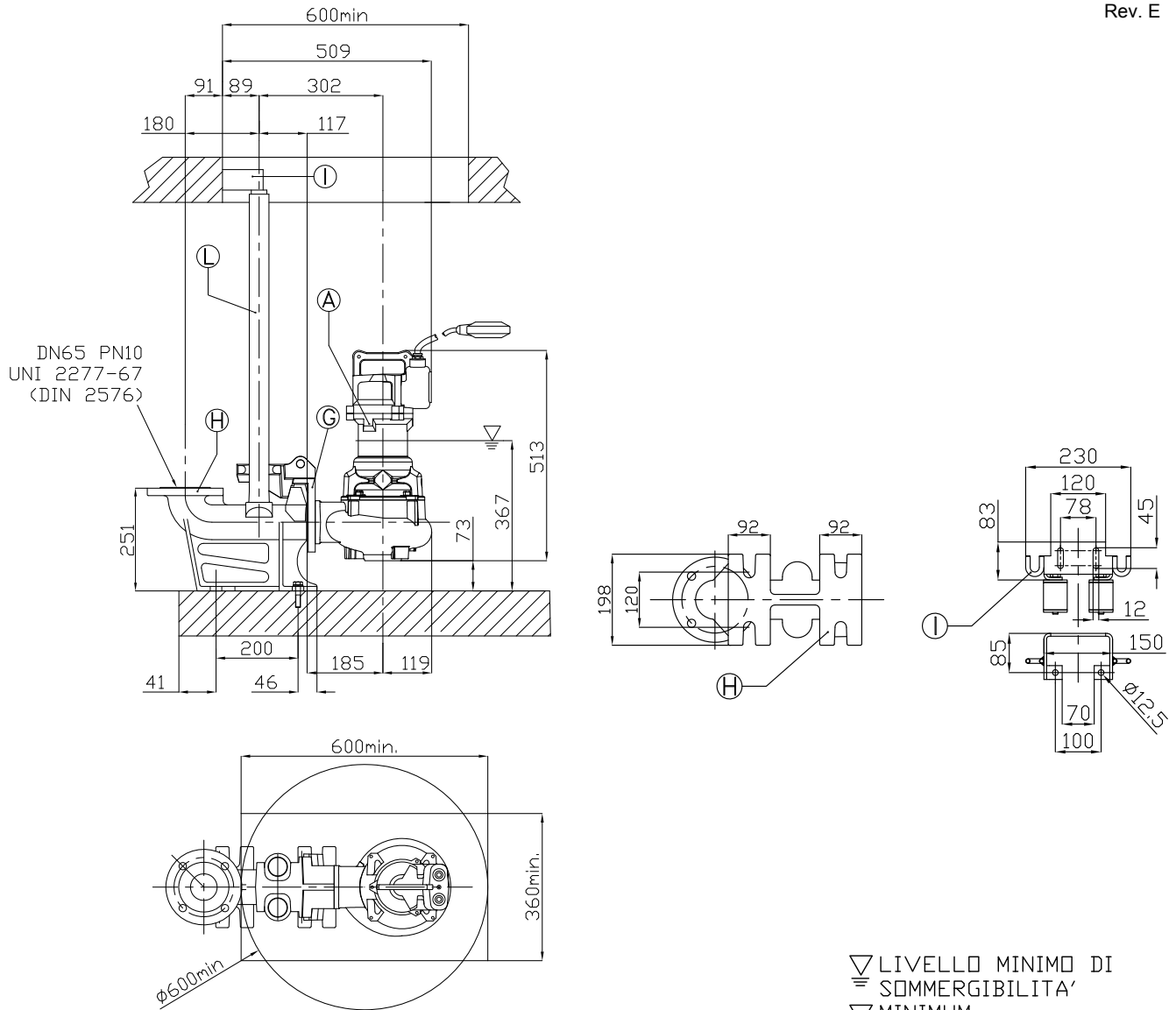
| Size<br>DA | Model           | Output<br>[kW] | Weight<br>[kgf] |
|------------|-----------------|----------------|-----------------|
| 65         | 65DMLVF51.5M2CG | 1.5            | 44              |

▽ LIVELLO MINIMO DI  
 ≡ SOMMERSIBILITA'  
 ▽ MINIMUM  
 ≡ SUBMERSIBLE LEVEL

DIMENSIONS AND WEIGHT

50 Hz

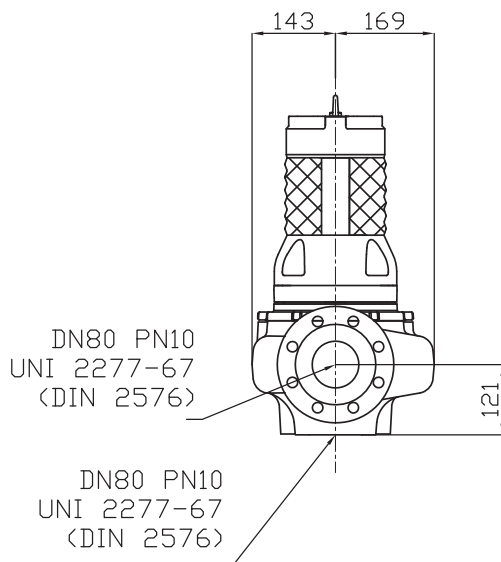
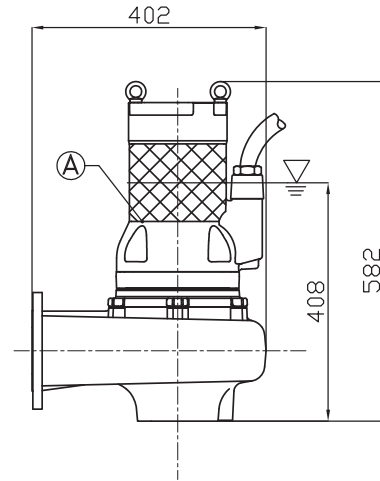
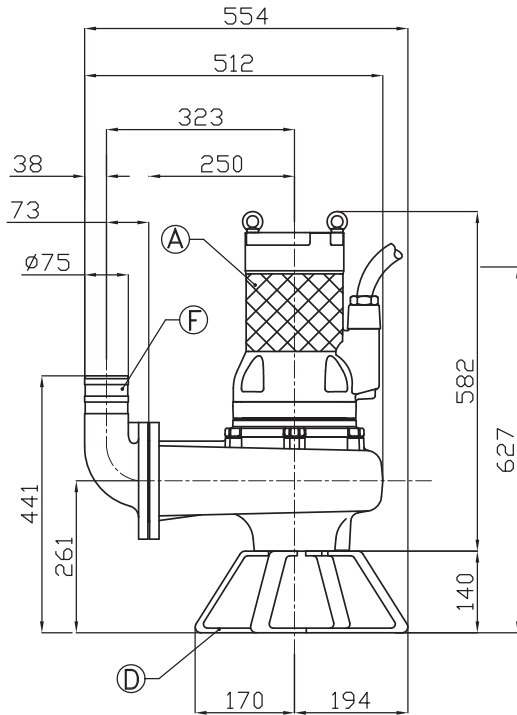
Rev. E



▽ LIVELLO MINIMO DI  
 ≡ SOMMERSIBILITA'  
 ▽ MINIMUM  
 ≡ SUBMERSIBLE LEVEL

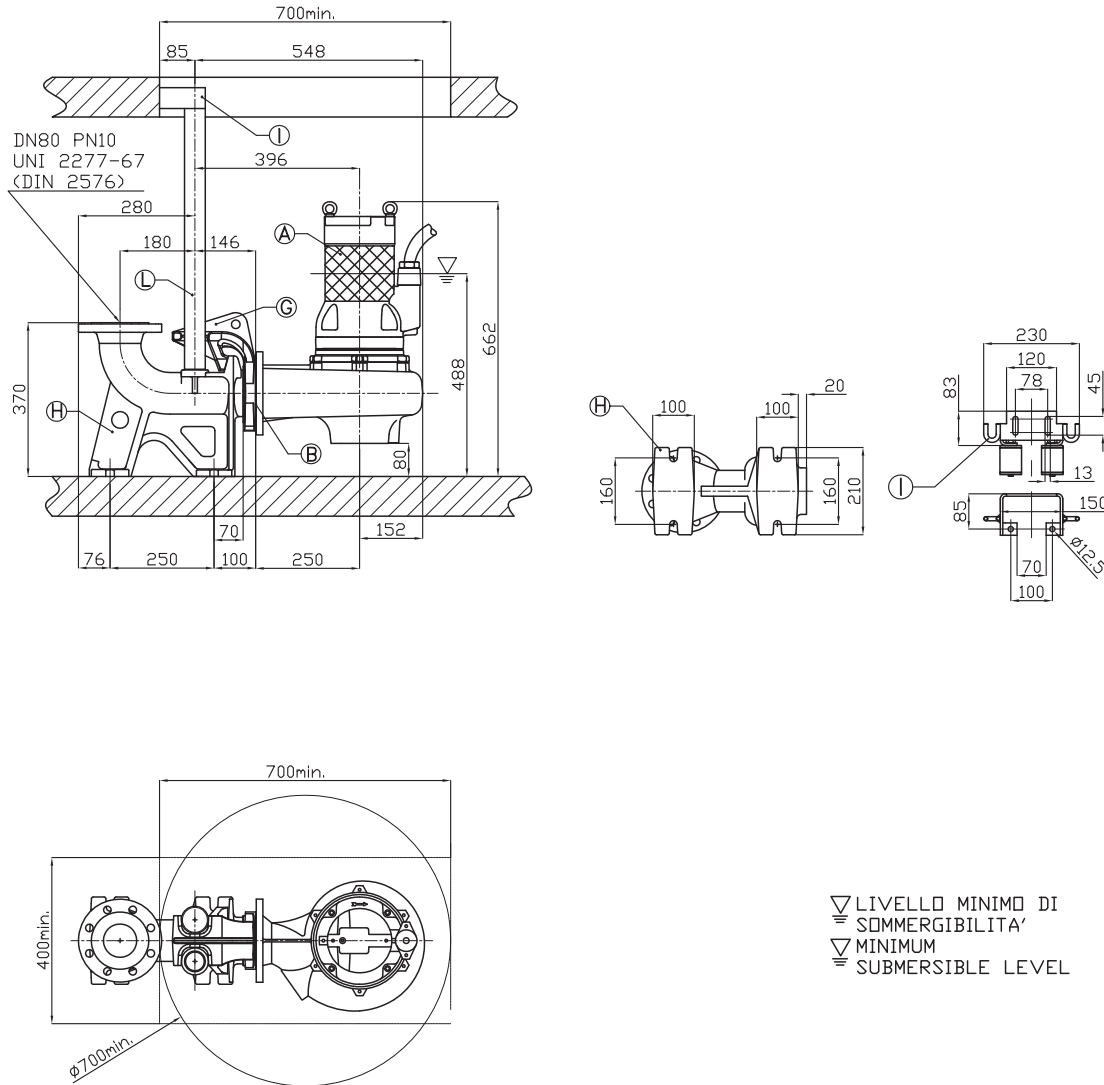
| POSITION | DESCRIPTION                            | MATERIAL         | WEIGHT [kgf] |
|----------|--|------------------|--------------|
| A        | SUBMERSIBLE PUMP                       | -                | -            |
| B        | RUBBER JOINT DN65                      | NEOPRENE         | -            |
| D        | X FOOT REST                            | S.STEEL AISI304  | 2.5          |
| E        | THREADED FLANGE 2"1/2                  | G250 CAST-IRON   | 1            |
| F        | THREADED ELBOW 90° 2"1/2               | G250 CAST-IRON   | 3            |
| G        | DOUBLE GUIDE RAIL COUPLING FLANGE DN65 | G250 CAST IRON   | 4            |
| H        | DOUBLE GUIDE CUOPLING FEET DN65        | G250 CAST-IRON   | 19           |
| I        | DOUBLE GUIDE RAIL UPPER SUPPORT 2"     | GALVANIZED STEEL | 1.9          |
| L        | GUIDE RAIL 2"                          | GALVANIZED STEEL | -            |

**80DMLVF/80DMLVF with QDC (4.9 kW)**



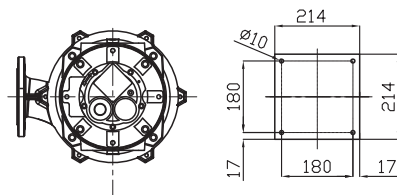
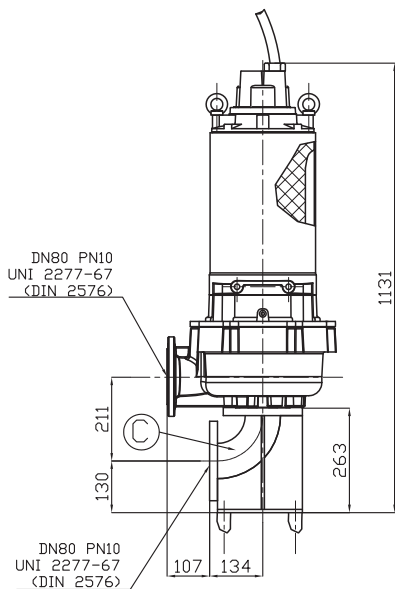
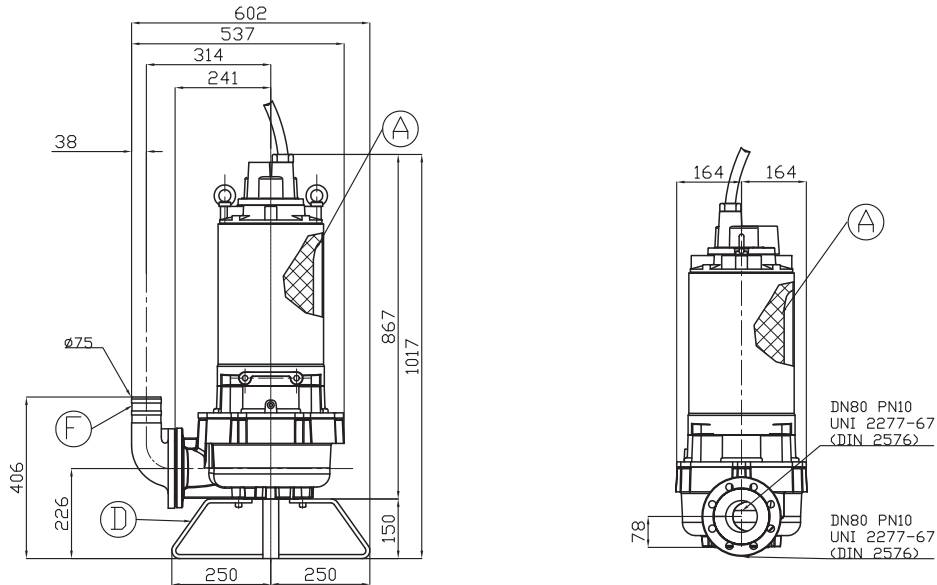
| Size<br>DA                           | Model           | Output<br>[kW] | Weight<br>[kgf] |
|--------------------------------------|-----------------|----------------|-----------------|
| DN 80 PN10 UNI<br>2277-67 (DIN 2576) | 80DMLVF54.9T4AG | 4.9            | 79              |

$\nabla$  LIVELLO MINIMO DI  
 $\equiv$  SOMMERSIBILITA'  
 $\nabla$  MINIMUM  
 $\equiv$  SUBMERSIBLE LEVEL

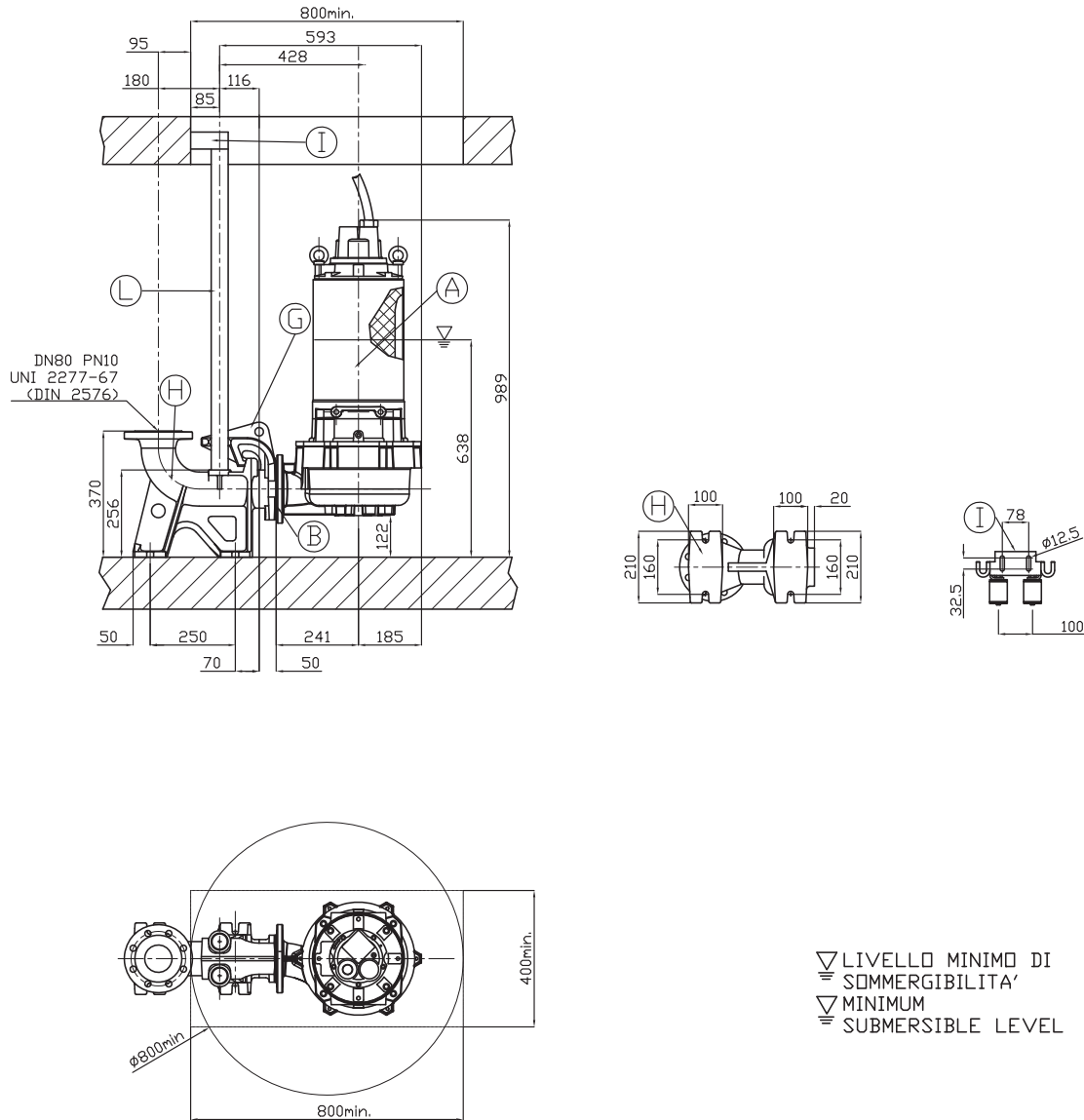


| POSITION | DESCRIPTION                            | MATERIAL         | WEIGHT [kgf] |
|----------|--|------------------|--------------|
| A        | SUBMERSIBLE PUMP                       | -                | -            |
| B        | RUBBER JOINT DN80                      | NEOPRENE         | -            |
| C        | SUCTION ELBOW 90°                      | GALVANIZED STEEL | 27           |
| D        | X FOOT REST                            | GALVANIZED STEEL | 3            |
| F        | DELIVERY ELBOW 90° DN80                | G250 CAST-IRON   | 6            |
| G        | DOUBLE GUIDE RAIL COUPLING FLANGE DN80 | G250 CAST IRON   | 10           |
| H        | DOUBLE GUIDE CUOPLING FEET DN80        | G250 CAST-IRON   | 33           |
| I        | DOUBLE GUIDE RAIL UPPER SUPPORT 2"     | GALVANIZED STEEL | 1.9          |
| L        | GUIDE RAIL 2"                          | GALVANIZED STEEL | -            |

80DMLVF/80DMLVF with QDC (16.6 kW)

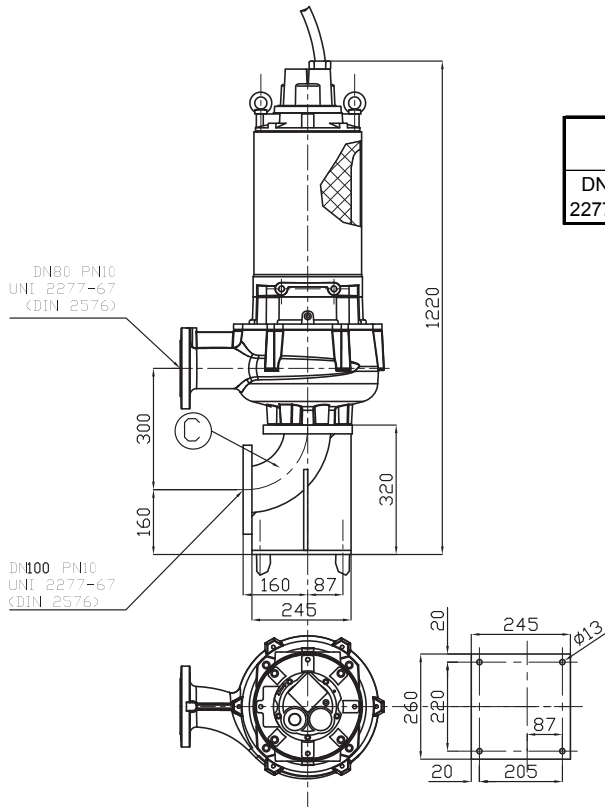
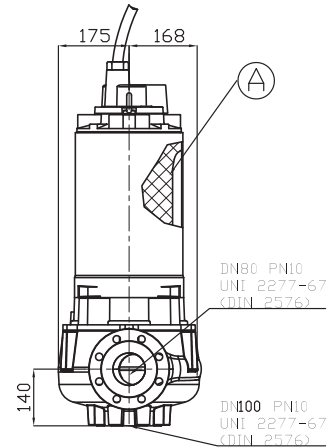
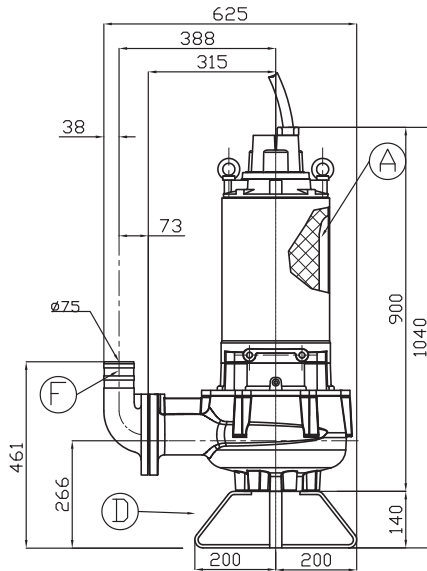


| Size<br>DA                        | Model            | Output | Weight |
|-----------------------------------|------------------|--------|--------|
|                                   |                  | [kW]   | [kgf]  |
| DN 80 PN10 UNI 2277-67 (DIN 2576) | 80DMLVF516.6T2BG | 16.6   | 191    |



| POSITION | DESCRIPTION                            | MATERIAL         | WEIGHT [kgf] |
|----------|--|------------------|--------------|
| A        | SUBMERSIBLE PUMP                       | -                | -            |
| B        | RUBBER JOINT DN80                      | NEOPRENE         | -            |
| C        | SUCTION ELBOW 90°                      | GALVANIZED STEEL | 7            |
| D        | X FOOT REST                            | GALVANIZED STEEL | 3            |
| F        | DELIVERY ELBOW 90° DN80                | G 250 CAST-IRON  | 6            |
| G        | DOUBLE GUIDE RAIL COUPLING FLANGE DN80 | G250 CAST IRON   | 10           |
| H        | DOUBLE GUIDE CUOPLING FEET DN80        | G 250 CAST-IRON  | 33           |
| I        | DOUBLE GUIDE RAIL UPPER SUPPORT 2"     | GALVANIZED STEEL | 1.9          |
| L        | GUIDE RAIL 2"                          | GALVANIZED STEEL | -            |

**80DMLVF/80DMLVF with QDC (18.2 kW)**

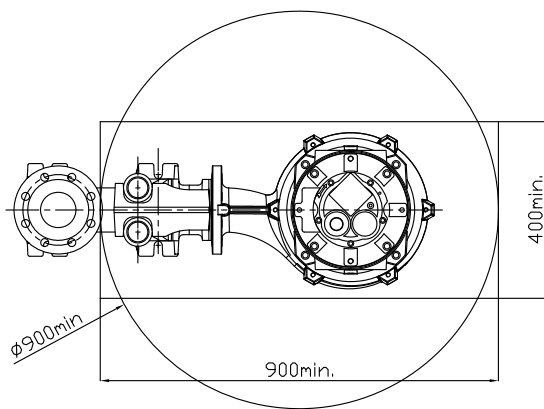
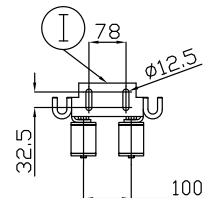
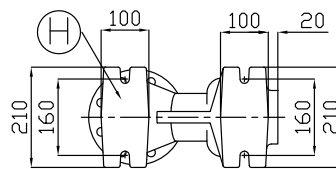
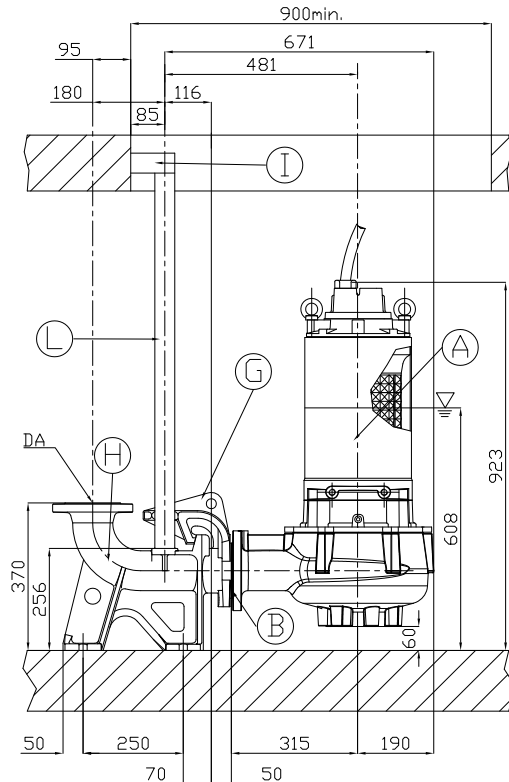


| Size DA                           | Model            | Output [kW] | Weight [kgf] |
|-----------------------------------|------------------|-------------|--------------|
| DN 80 PN10 UNI 2277-67 (DIN 2576) | 80DMLVF518.2T2DG | 18.2        | 192          |

**DIMENSIONS AND WEIGHT**

50 Hz

Rev. E

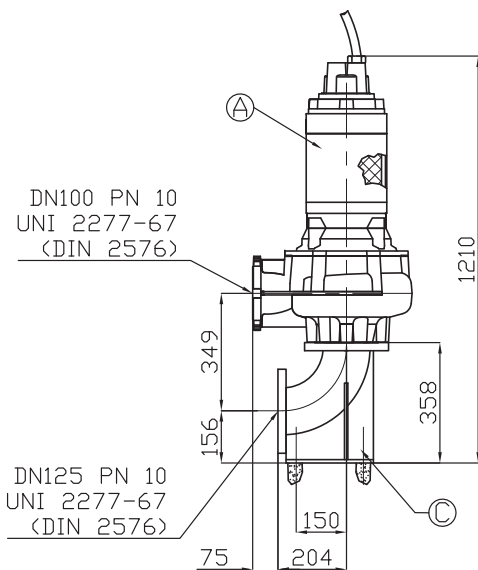
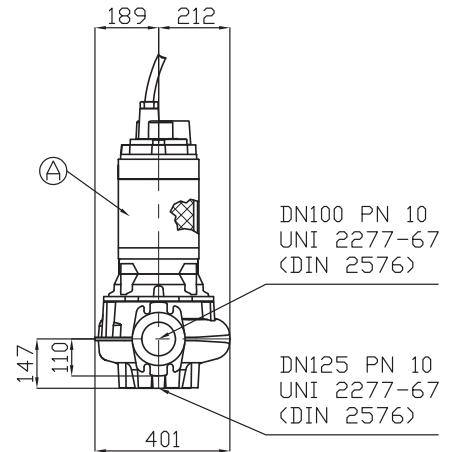
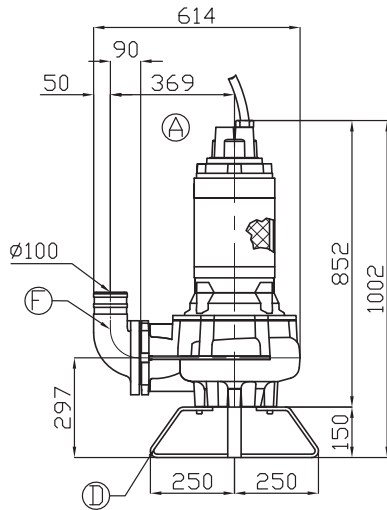


$\nabla$  LIVELLO MINIMO DI  
 SOMMERSIBILITA'  
 $\nabla$  MINIMUM  
 SUBMERSIBLE LEVEL

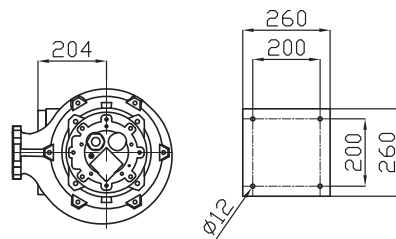
| POSITION | DESCRIPTION                            | MATERIAL         | WEIGHT [kgf] |
|----------|--|------------------|--------------|
| A        | SUBMERSIBLE PUMP                       | -                | -            |
| B        | RUBBER JOINT DN80                      | NEOPRENE         | -            |
| C        | SUCTION ELBOW 90°                      | GALVANIZED STEEL | 27           |
| D        | X FOOT REST                            | GALVANIZED STEEL | 5            |
| F        | DELIVERY ELBOW 90° DN80                | G250 CAST-IRON   | 6            |
| G        | DOUBLE GUIDE RAIL COUPLING FLANGE DN80 | G250 CAST IRON   | 10           |
| H        | DOUBLE GUIDE CUOPLING FEET DN80        | G250 CAST-IRON   | 33           |
| I        | DOUBLE GUIDE RAIL UPPER SUPPORT 2"     | GALVANIZED STEEL | 1.9          |
| L        | GUIDE RAIL 2"                          | GALVANIZED STEEL | -            |

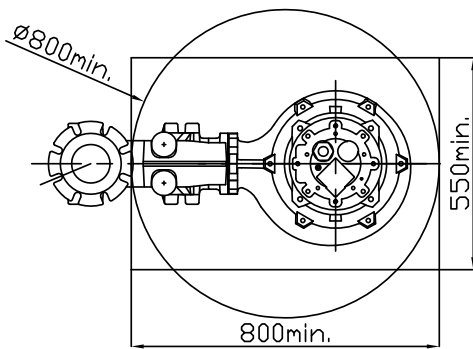
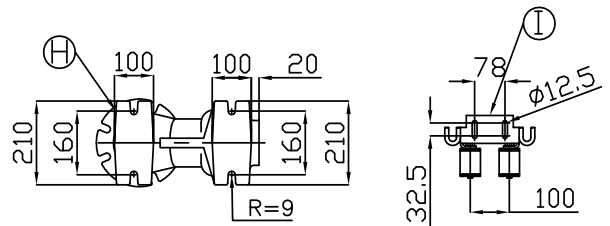
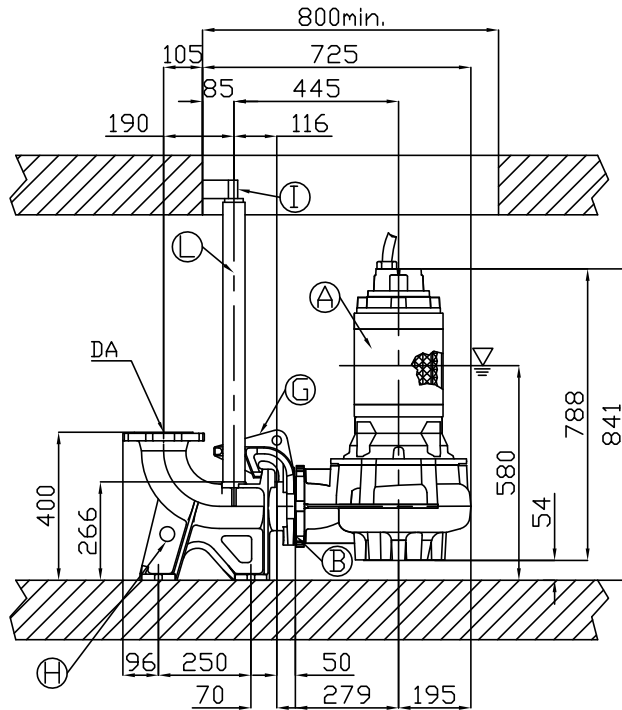


**100DMLVF/100DMLVF with QDC (5.2 kW)**



| Size DA                            | Model            | Output [kW] | Weight [kgf] |
|------------------------------------|------------------|-------------|--------------|
| DN 100 PN10 UNI 2277-67 (DIN 2576) | 100DMLVF55.2T6BG | 5.2         | 170          |

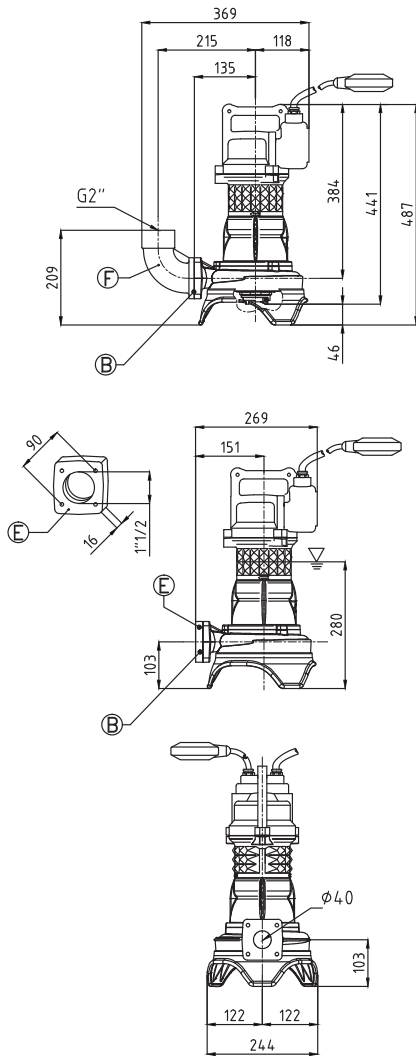




▽ LIVELLO MINIMO DI  
 ≡ SOMMERSIBILITA'  
 ▽ MINIMUM  
 ≡ SUBMERSIBLE LEVEL

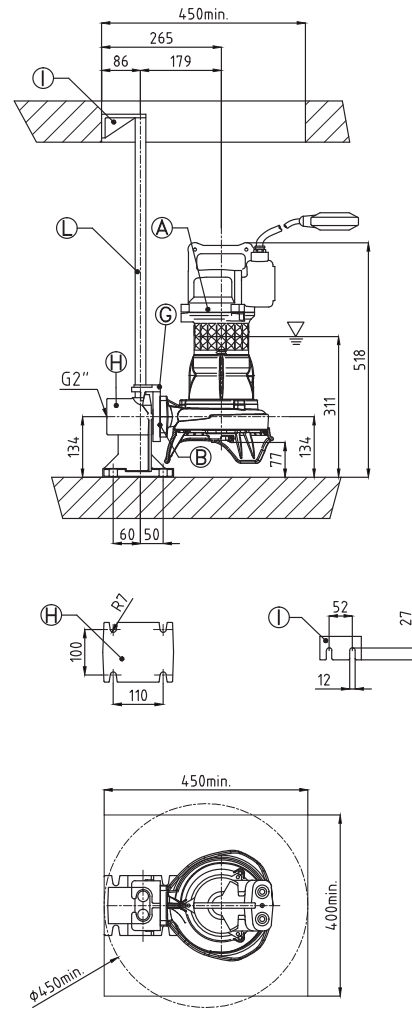
| POSITION | DESCRIPTION                             | MATERIAL         | WEIGHT [kgf] |
|----------|---|------------------|--------------|
| A        | SUBMERSIBLE PUMP                        | -                | -            |
| B        | RUBBER JOINT DN100                      | NEOPRENE         | -            |
| C        | SUCTION ELBOW 90°                       | GALVANIZED STEEL | 27           |
| D        | X FOOT REST                             | GALVANIZED STEEL | 5            |
| F        | DELIVERY ELBOW 90° DN100                | G250 CAST-IRON   | 10           |
| G        | DOUBLE GUIDE RAIL COUPLING FLANGE DN100 | G250 CAST IRON   | 12           |
| H        | DOUBLE GUIDE CUOPLING FEET DN100        | G250 CAST-IRON   | 35           |
| I        | DOUBLE GUIDE RAIL UPPER SUPPORT 2"      | GALVANIZED STEEL | 1,9          |
| L        | GUIDE RAIL 2"                           | GALVANIZED STEEL | -            |

**40DRS/40DRS with QDC (1.1 kW)**



▽ MINIMUM SUBMERSIBLE LEVEL

**P**

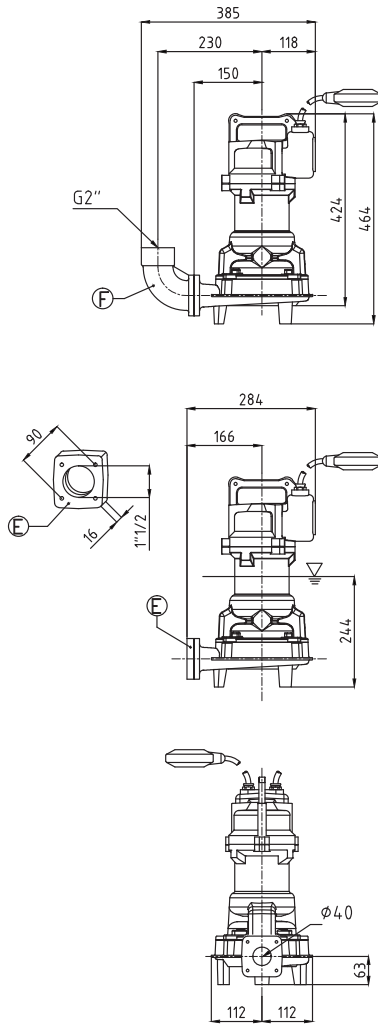


**R**

| Size DA | Model         | Output [kW] | Weight [kg] |
|---------|---------------|-------------|-------------|
| 40      | 40DRS51.1M2CG | 1.1         | 30          |
|         | 40DRS51.1M2BG | 1.1         | 30          |
|         | 40DRS51.1M2AG | 1.1         | 30          |

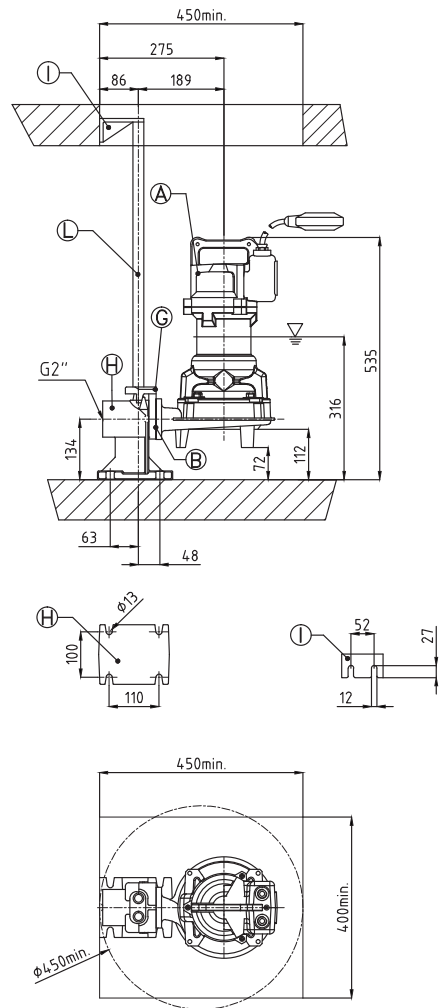
| Pos.    | Description                            | Material         | Weight Kg |
|---------|--|------------------|-----------|
| A       | Submersible Pump                       |                  | -         |
| B       | Rubber joint DN50                      | Neoprene         | -         |
| Type: P |  |                  |           |
| E       | Threaded flange 1"1/2                  | G250 Cast-Iron   | 1         |
| F       | Threaded elbow 90° 2"                  | G250 Cast-Iron   | 3         |
| Type: R |  |                  |           |
| G       | Double guide rail coupling flange DN50 | GS400 Cast-Iron  | 1.5       |
| H       | Double guide coupling feet DN50        | G250 Cast-Iron   | 6         |
| I       | Double guide rail upper support 3/4"   | G250 Cast-Iron   | 1.1       |
| L       | Guide rail 3/4"                        | Galvanized Steel | -         |

40DRS/40DRS with QDC (1.1 ÷ 1.9 kW)



▽ MINIMUM SUBMERSIBLE LEVEL

S

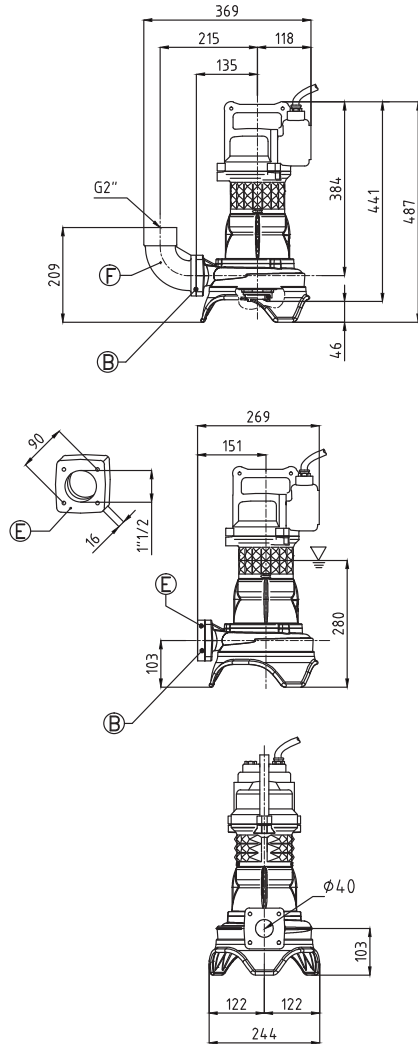


R

| Size DA | Model         | Output [kW] | Weight [kg] |
|---------|---------------|-------------|-------------|
| 40      | 40DRS51.2M2CG | 1.1         | 40          |
|         | 40DRS51.5M2BG | 1.5         | 40          |
|         | 40DRS51.9M2AG | 1.9         | 40          |

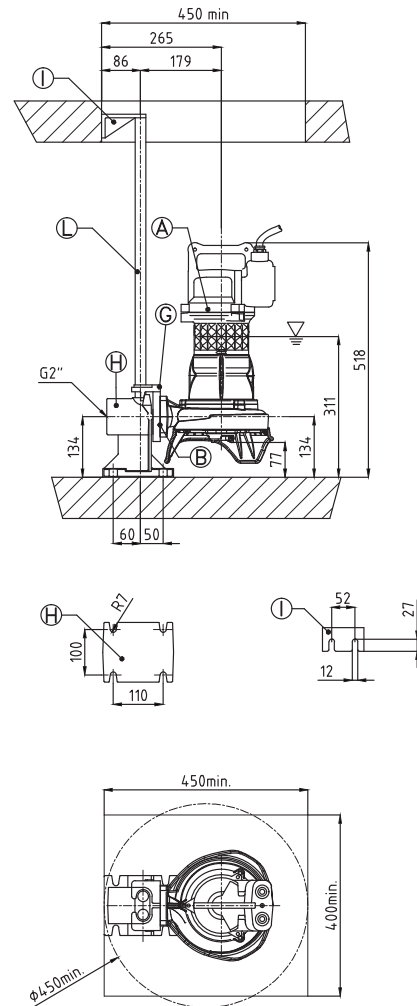
| Pos.    | Description                            | Material         | Weight Kg |
|---------|--|------------------|-----------|
| A       | Submersible Pump                       |                  | -         |
| B       | Rubber joint DN50                      | Neoprene         | -         |
| Type: S |  |                  |           |
| E       | Threaded flange 1 1/2                  | G250 Cast-Iron   | 1         |
| F       | Threaded elbow 90° 2"                  | G250 Cast-Iron   | 3         |
| Type: R |  |                  |           |
| G       | Double guide rail coupling flange DN50 | GS400 Cast-Iron  | 1.5       |
| H       | Double guide coupling feet DN50        | G250 Cast-Iron   | 6         |
| I       | Double guide rail upper support 3/4"   | G250 Cast-Iron   | 1.1       |
| L       | Guide rail 3/4"                        | Galvanized Steel | -         |

**40DRS/40DRS with QDC (1.1 ÷ 1.4 kW)**



▽ MINIMUM SUBMERSIBLE LEVEL

**P**

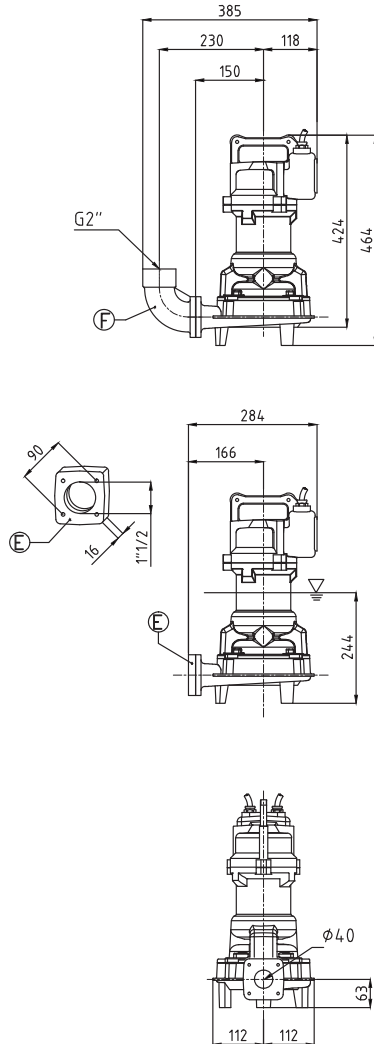


**R**

| Size DA | Model         | Output [kW] | Weight [kg] |
|---------|---------------|-------------|-------------|
| 40      | 40DRS51.1T2CG | 1,1         | 30          |
|         | 40DRS51.1T2BG | 1,1         | 30          |
|         | 40DRS51.4T2AG | 1,4         | 30          |

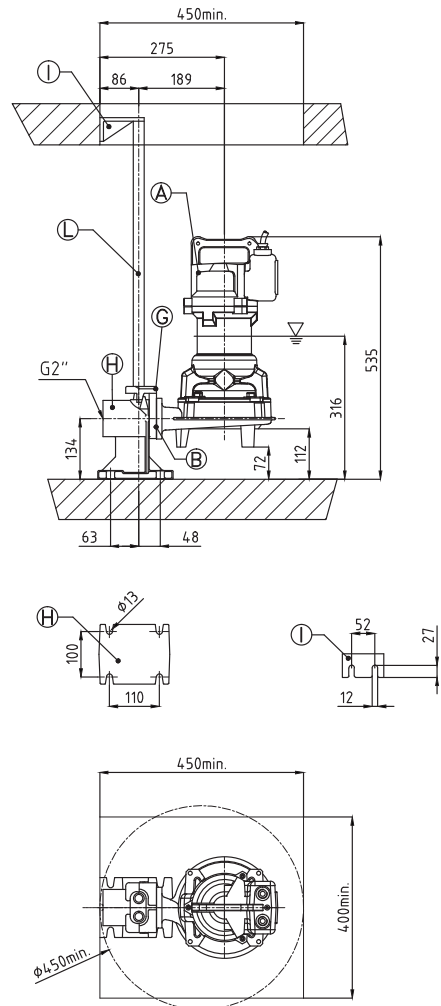
| Pos.    | Description                            | Material         | Weight Kg |
|---------|--|------------------|-----------|
| A       | Submersible Pump                       |                  | -         |
| B       | Rubber joint DN50                      | Neoprene         | -         |
| Type: P |  |                  |           |
| E       | Threaded flange 1"1/2                  | G250 Cast-Iron   | 1         |
| F       | Threaded elbow 90° 2"                  | G250 Cast-Iron   | 3         |
| Type: R |  |                  |           |
| G       | Double guide rail coupling flange DN50 | GS400 Cast-Iron  | 1,5       |
| H       | Double guide coupling feet DN50        | G250 Cast-Iron   | 6         |
| I       | Double guide rail upper support 3/4"   | G250 Cast-Iron   | 1,1       |
| L       | Guide rail 3/4"                        | Galvanized Steel | -         |

40DRS/40DRS with QDC (1.6 ÷ 2.4 kW)



▽ MINIMUM SUBMERSIBLE LEVEL

S

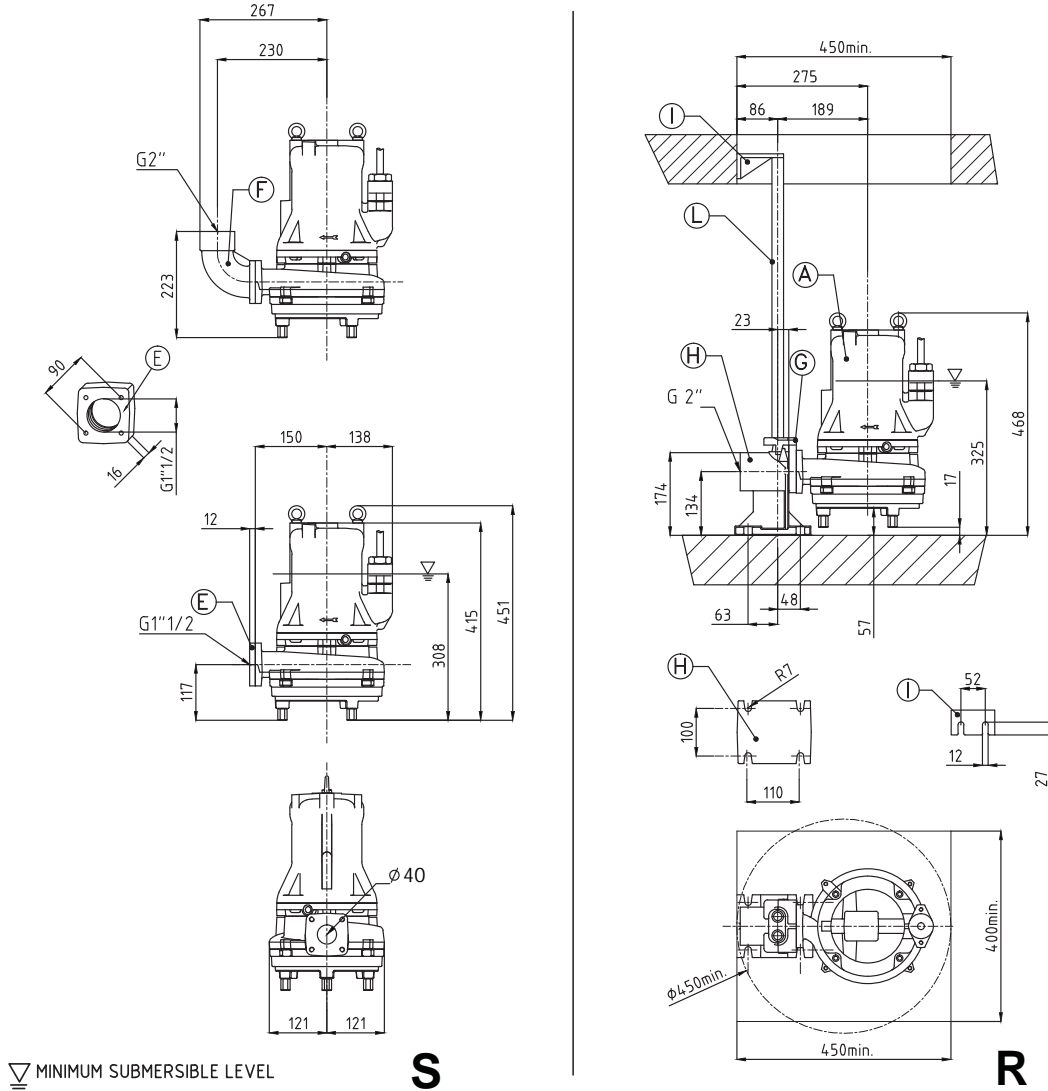


R

| Size DA | Model         | Output [kW] | Weight [kg] |
|---------|---------------|-------------|-------------|
| 40      | 40DRS51.6T2CG | 1.6         | 40          |
|         | 40DRS51.6T2BG | 1.6         | 40          |
|         | 40DRS52.4T2AG | 2.4         | 40          |

| Pos.    | Description                            | Material         | Weight Kg |
|---------|--|------------------|-----------|
| A       | Submersible Pump                       |                  | -         |
| B       | Rubber joint DN50                      | Neoprene         | -         |
| Type: S |  |                  |           |
| E       | Threaded flange 1"1/2                  | G250 Cast-Iron   | 1         |
| F       | Threaded elbow 90° 2"                  | G250 Cast-Iron   | 3         |
| Type: R |  |                  |           |
| G       | Double guide rail coupling flange DN50 | GS400 Cast-Iron  | 1,5       |
| H       | Double guide coupling feet DN50        | G250 Cast-Iron   | 6         |
| I       | Double guide rail upper support 3/4"   | G250 Cast-Iron   | 1,1       |
| L       | Guide rail 3/4"                        | Galvanized Steel | -         |

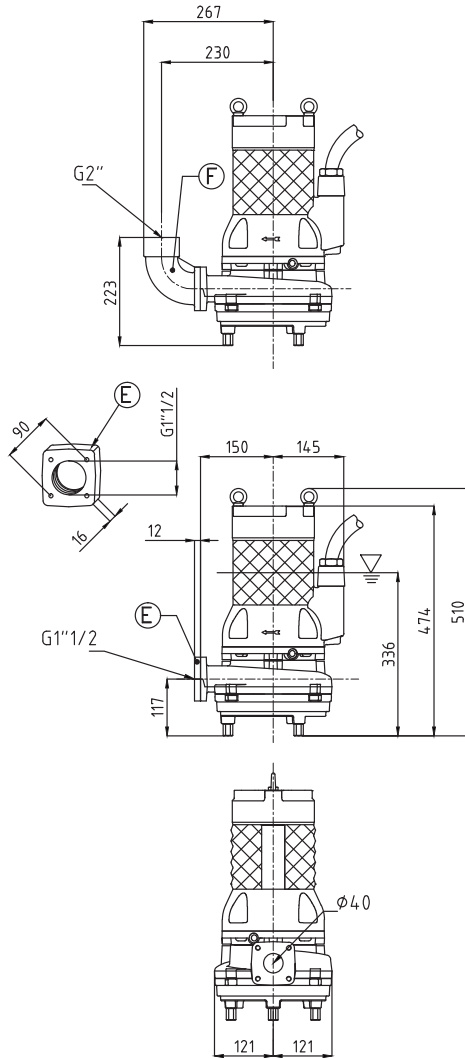
**40DRS/40DRS with QDC (3.1 kW)**



| Size DA | Model         | Output [kW] | Weight [kg] |
|---------|---------------|-------------|-------------|
| 40      | 40DRS53.1T2BG | 3,1         | 52          |
|         | 40DRS53.1T2AG | 3,1         | 52          |

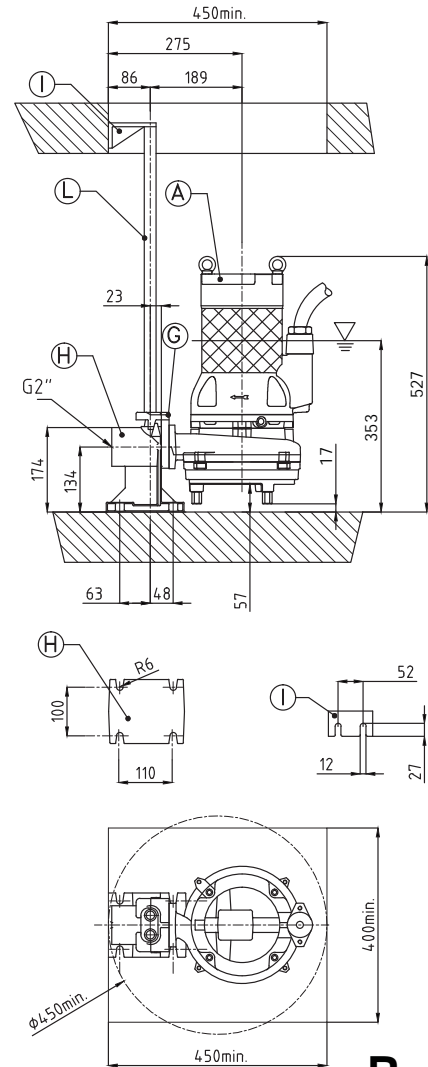
| Pos.    | Description                            | Material         | Weight Kg |
|---------|--|------------------|-----------|
| A       | Submersible Pump                       |                  | -         |
| B       | Rubber joint DN50                      | Neoprene         | -         |
| Type: S |  |                  |           |
| E       | Threaded flange 1"1/2                  | G250 Cast-Iron   | 1         |
| F       | Threaded elbow 90° 2"                  | G250 Cast-Iron   | 3         |
| Type: R |  |                  |           |
| G       | Double guide rail coupling flange DN50 | GS400 Cast-Iron  | 1.5       |
| H       | Double guide coupling feet DN50        | G250 Cast-Iron   | 6         |
| I       | Double guide rail upper support 3/4"   | G250 Cast-Iron   | 1.1       |
| L       | Guide rail 3/4"                        | Galvanized Steel | -         |

40DRS/40DRS with QDC (4.2 ÷ 5.0 kW)



▽ MINIMUM SUBMERSIBLE LEVEL

S



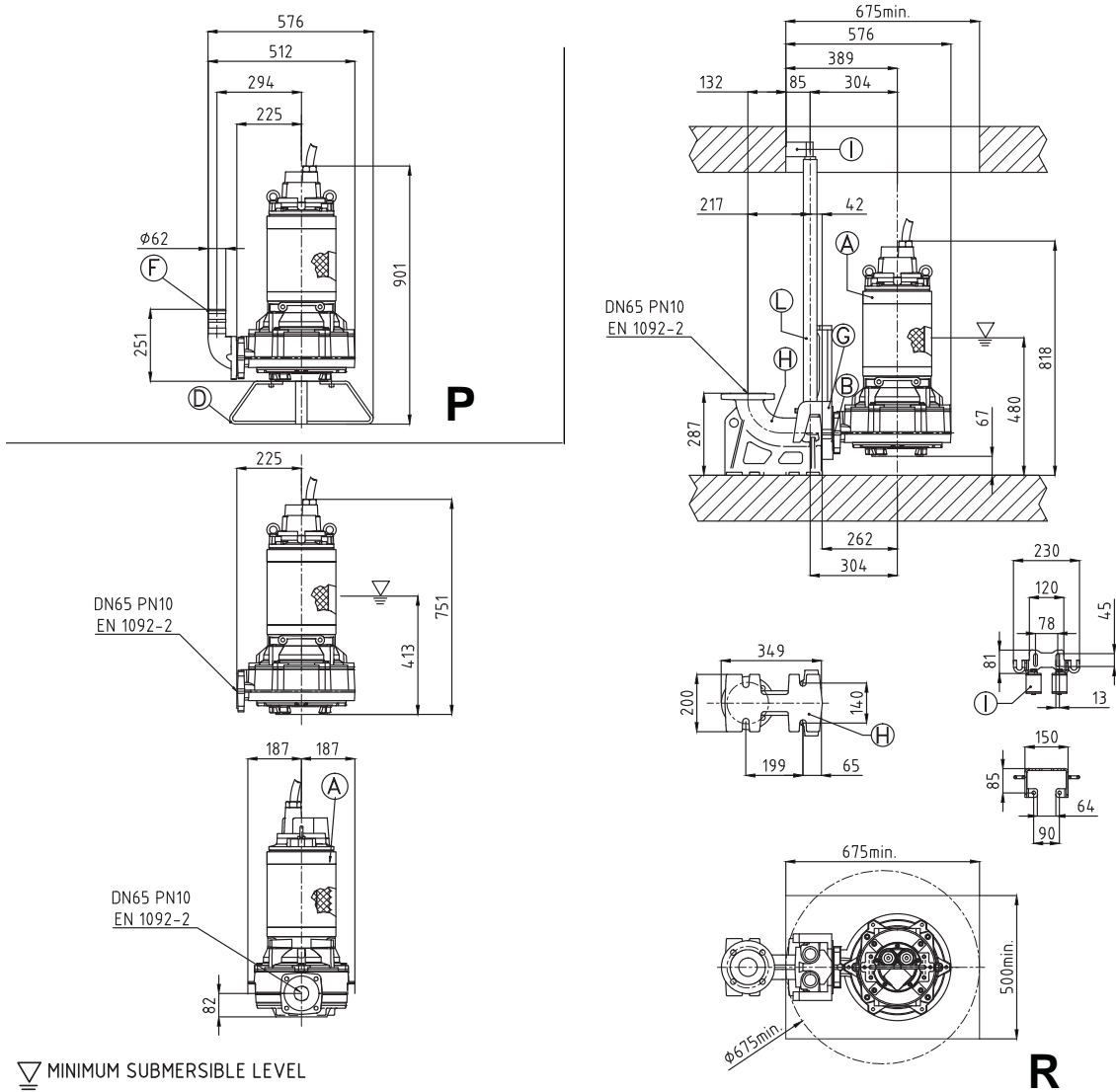
R

| Size DA | Model         | Output [kW] | Weight [kg] |
|---------|---------------|-------------|-------------|
| 40      | 40DRS54.2T2CG | 4.2         | 67          |
|         | 40DRS55T2BG   | 5.0         | 67          |
|         | 40DRS55T2AG   | 5.0         | 67          |

| Pos.    | Description                            | Material         | Weight Kg |
|---------|--|------------------|-----------|
| A       | Submersible Pump                       |                  | -         |
| B       | Rubber joint DN50                      | Neoprene         | -         |
| Type: S |  |                  |           |
| E       | Threaded flange 1"1/2                  | G250 Cast-Iron   | 1         |
| F       | Threaded elbow 90° 2"                  | G250 Cast-Iron   | 3         |
| Type: R |  |                  |           |
| G       | Double guide rail coupling flange DN50 | GS400 Cast-Iron  | 1.5       |
| H       | Double guide coupling feet DN50        | G250 Cast-Iron   | 6         |
| I       | Double guide rail upper support 3/4"   | G250 Cast-Iron   | 1.1       |
| L       | Guide rail 3/4"                        | Galvanized Steel | -         |



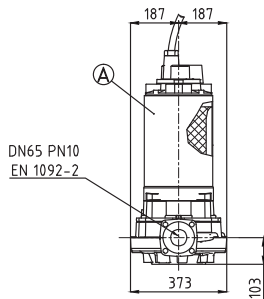
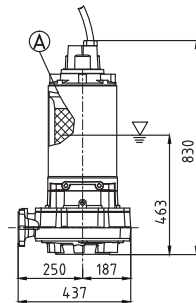
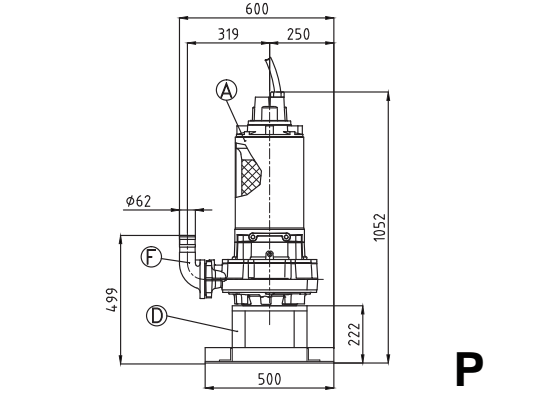
**65DRS/65DRS with QDC (6.5 ÷ 7.5 kW)**



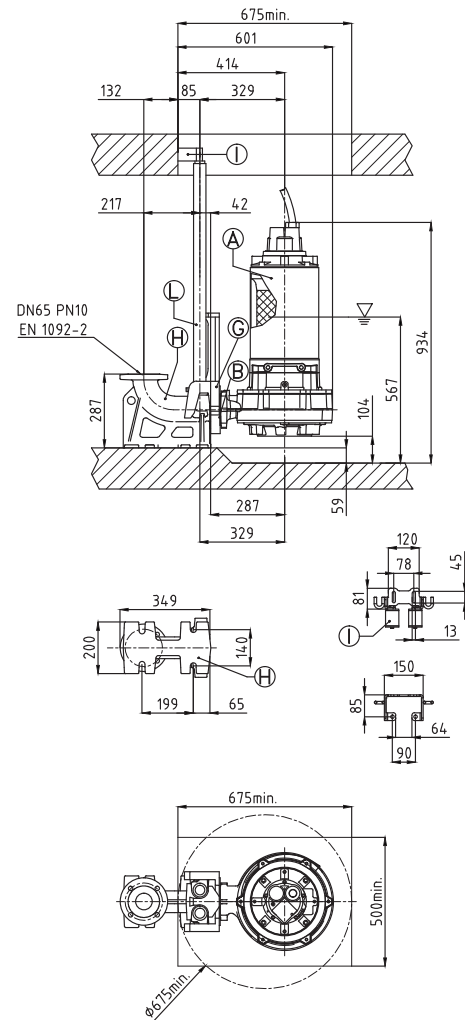
| Size DA   | Model         | Output [kW] | Weight [kg] |
|-----------|---------------|-------------|-------------|
| DN65      | 65DRS56.5T2CG | 6,5         | 178         |
| EN 1092-2 | 65DRS57.5T2BG | 7,5         | 178         |

| Pos.    | Description                            | Material         | Weight Kg |
|---------|--|------------------|-----------|
| A       | Submersible Pump                       |                  | -         |
| B       | Rubber joint DN65                      | Neoprene         | -         |
| Type: P |  |                  |           |
| D       | X foot rest                            | Galvanized Steel | 5         |
| F       | Delivery elbow 90° DN65                | G250 Cast-Iron   | 3         |
| Type: R |  |                  |           |
| G       | Double guide rail coupling flange DN65 | GS400 Cast-Iron  | 20        |
| H       | Double guide coupling feet DN65        | G250 Cast-Iron   | 19        |
| I       | Double guide rail upper support 2"     | G250 Cast-Iron   | 1.9       |
| L       | Guide rail 2"                          | Galvanized Steel | 4.5       |

**65DRS/65DRS with QDC (9.0 ÷ 14.9 kW)**



▽ MINIMUM SUBMERSIBLE LEVEL

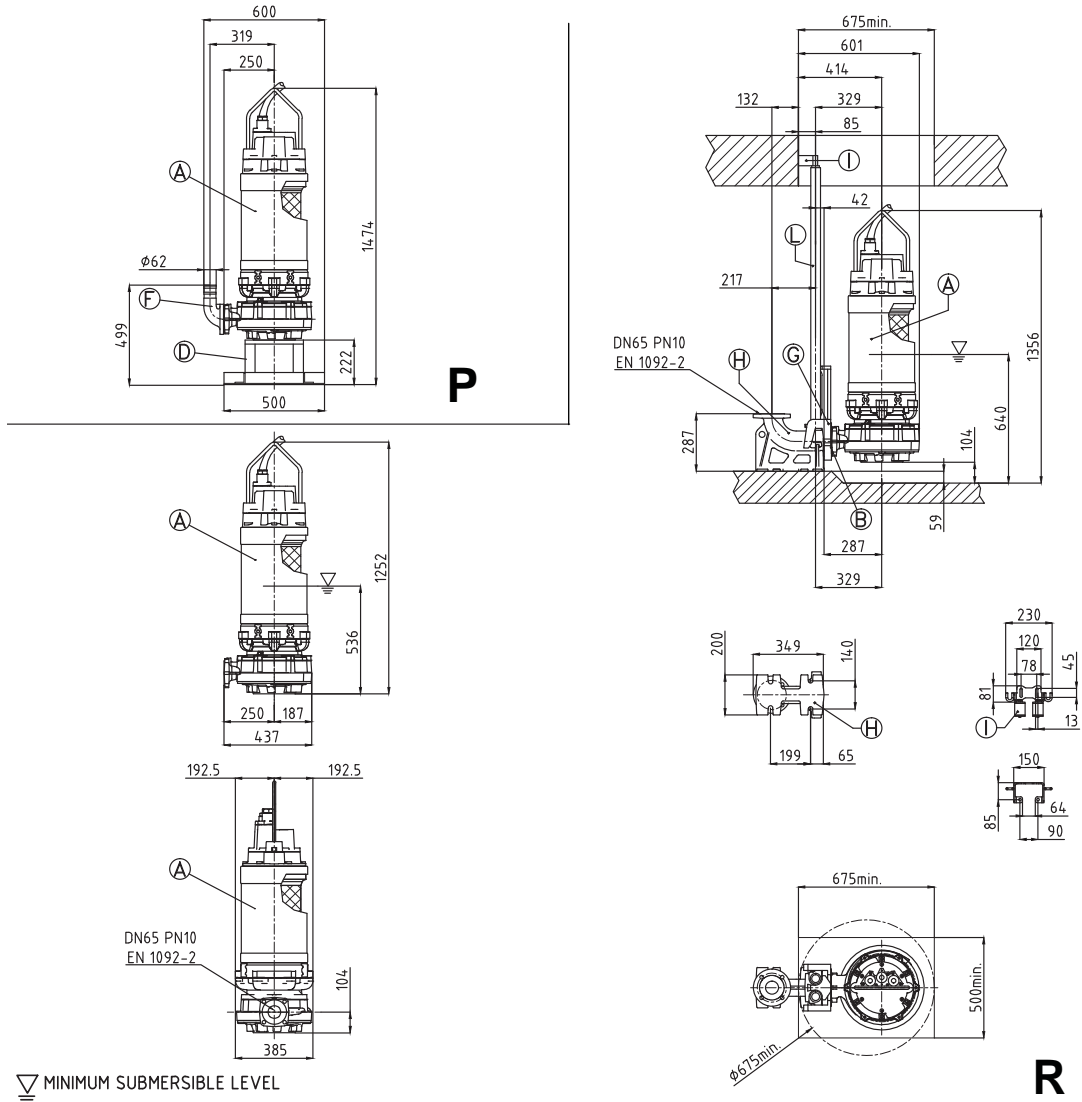


**R**

| Size DA           | Model          | Output [kW] | Weight [kg] |
|-------------------|----------------|-------------|-------------|
| DN65<br>EN 1092-2 | 65DRS59T2DG    | 9.0         | 200         |
|                   | 65DRS511T2CG   | 11.0        | 200         |
|                   | 65DRS513.8T2BG | 13.8        | 200         |
|                   | 65DRS513.8T2AG | 13.8        | 200         |
|                   | 65DRS514.9T2GG | 14.9        | 200         |

| Pos.    | Description                            | Material         | Weight Kg |
|---------|--|------------------|-----------|
| A       | Submersible Pump                       |                  | -         |
| B       | Rubber joint DN65                      | Neoprene         | -         |
| Type: P |  |                  |           |
| D       | X foot rest                            | Galvanized Steel | 25.1      |
| F       | Delivery elbow 90° DN65                | G250 Cast-Iron   | 3         |
| Type: R |  |                  |           |
| G       | Double guide rail coupling flange DN65 | GS400 Cast-Iron  | 20        |
| H       | Double guide coupling feet DN65        | G250 Cast-Iron   | 19        |
| I       | Double guide rail upper support 2"     | G250 Cast-Iron   | 1.9       |
| L       | Guide rail 2"                          | Galvanized Steel | 4.5       |

**65DRS/65DRS with QDC (20.0 ÷ 25.1 kW)**



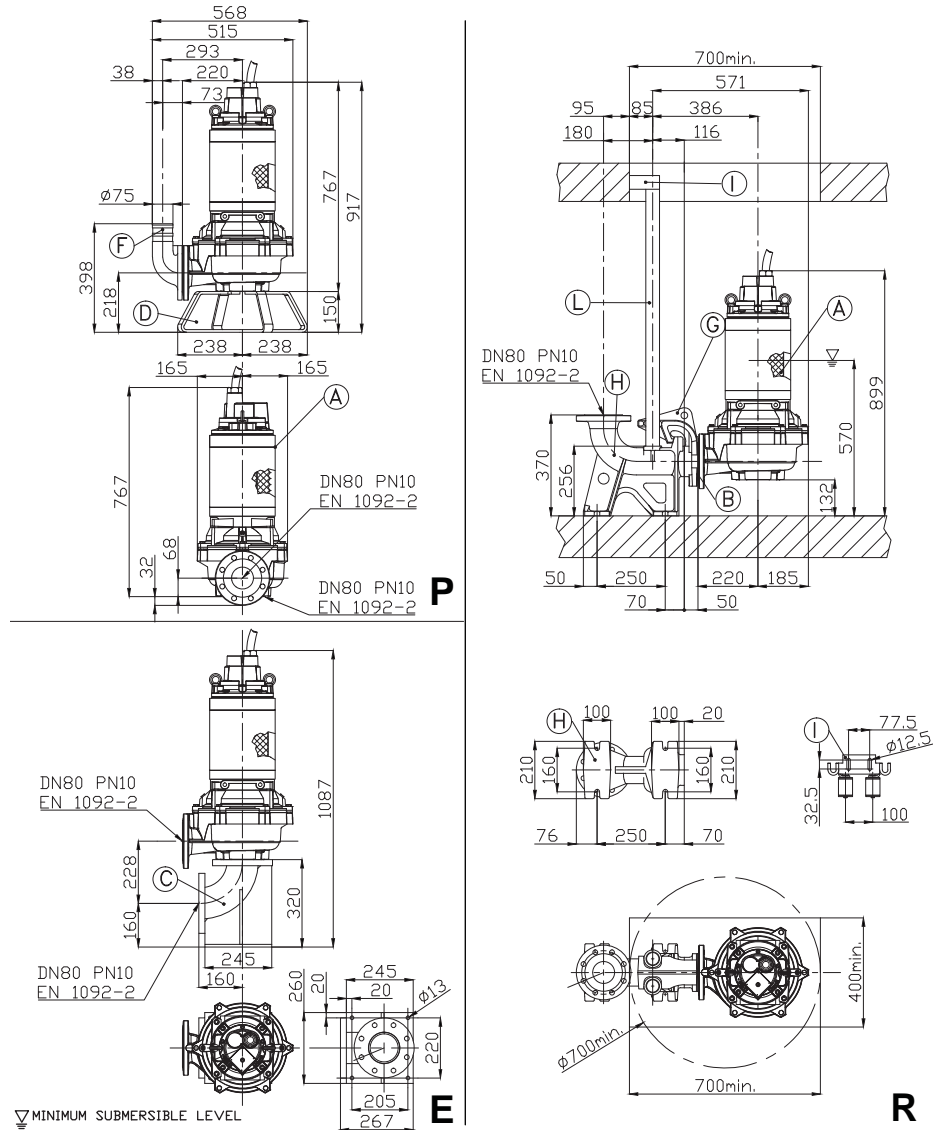
| Size DA           | Model          | Output [kW] | Weight [kg] |
|-------------------|----------------|-------------|-------------|
| DN65<br>EN 1092-2 | 65DRS520T2BG   | 20.0        | 340         |
|                   | 65DRS522.4T2AG | 22,4        | 340         |
|                   | 65DRS525.1T2AG | 25,1        | 340         |

| Pos.    | Description                            | Material         | Weight Kg |
|---------|--|------------------|-----------|
| A       | Submersible Pump                       |                  | -         |
| B       | Rubber joint DN65                      | Neoprene         | -         |
| Type: P |  |                  |           |
| D       | X foot rest                            | Galvanized Steel | 25.1      |
| F       | Delivery elbow 90° DN65                | G250 Cast-Iron   | 3         |
| Type: R |  |                  |           |
| G       | Double guide rail coupling flange DN65 | GS400 Cast-Iron  | 20        |
| H       | Double guide coupling feet DN65        | G250 Cast-Iron   | 19        |
| I       | Double guide rail upper support 2"     | G250 Cast-Iron   | 1.9       |
| L       | Guide rail 2"                          | Galvanized Steel | 4.5       |





**80DRD/80DRD with QDC (7.5 kW)**

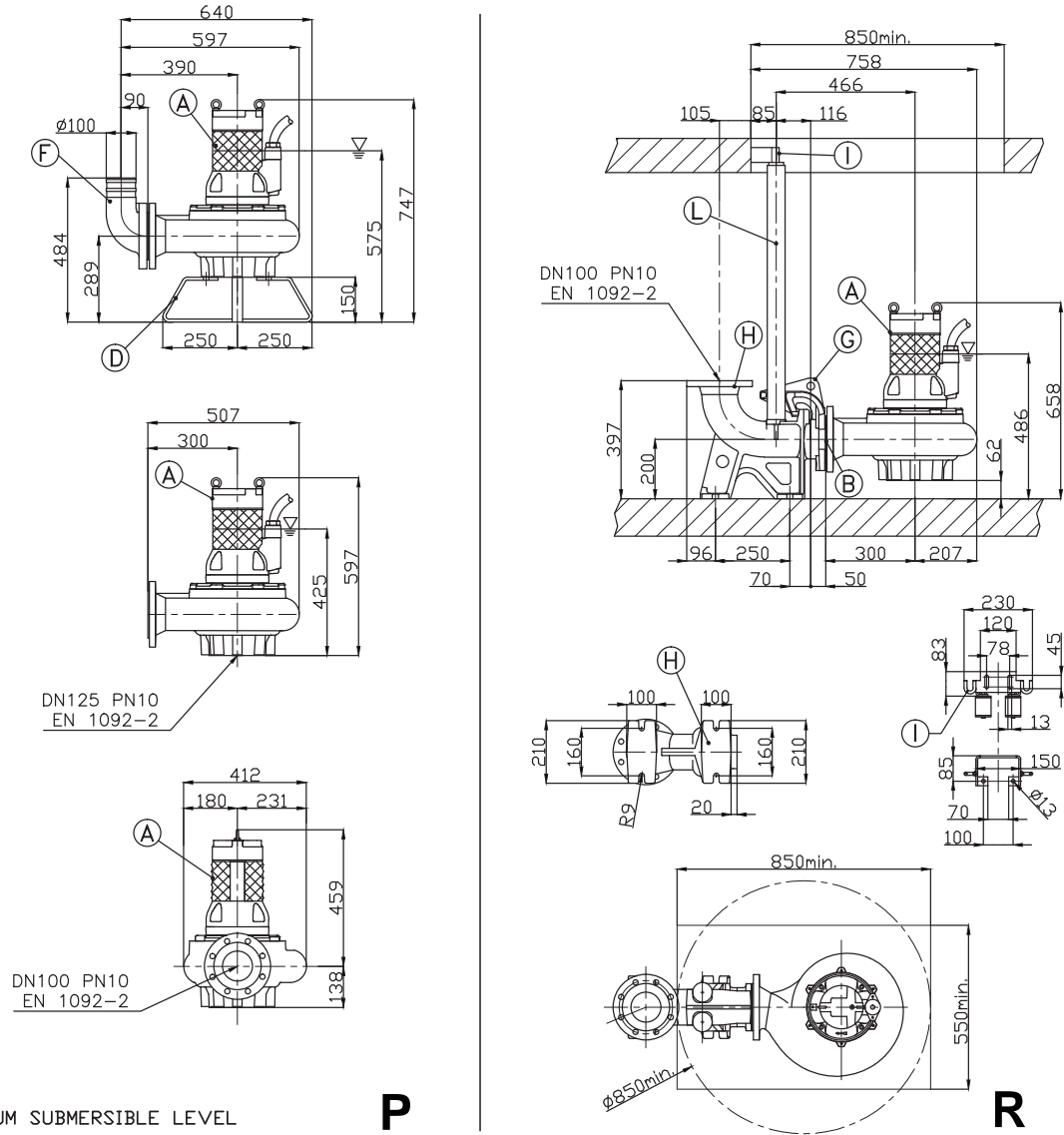


| Size DA        | Model         | Output [kW] | Weight [kg] |
|----------------|---------------|-------------|-------------|
| DN80 EN 1092-2 | 80DRD57.5T2AG | 7,5         | 150         |

| Pos.    | Description                            | Material         | Weight Kg |
|---------|--|------------------|-----------|
| A       | Submersible Pump                       |                  | -         |
| B       | Rubber joint DN80                      | Neoprene         | -         |
| Type: E |  |                  |           |
| C       | Suction elbow 90°                      | Galvanized Steel | 27        |
| Type: P |  |                  |           |
| D       | X foot rest                            | Galvanized Steel | 5         |
| F       | Delivery elbow 90° DN80                | G250 Cast-Iron   | 6         |
| Type: R |  |                  |           |
| G       | Double guide rail coupling flange DN80 | GS250 Cast-Iron  | 10        |
| H       | Double guide coupling feet DN80        | G250 Cast-Iron   | 33        |
| I       | Double guide rail upper support 2"     | Galvanized Steel | 1.9       |
| L       | Guide rail 2"                          | Galvanized Steel | 4.5       |



100DRD/100DRD with QDC (2.8 ÷ 4.6 kW)



▽ MINIMUM SUBMERSIBLE LEVEL

P

R

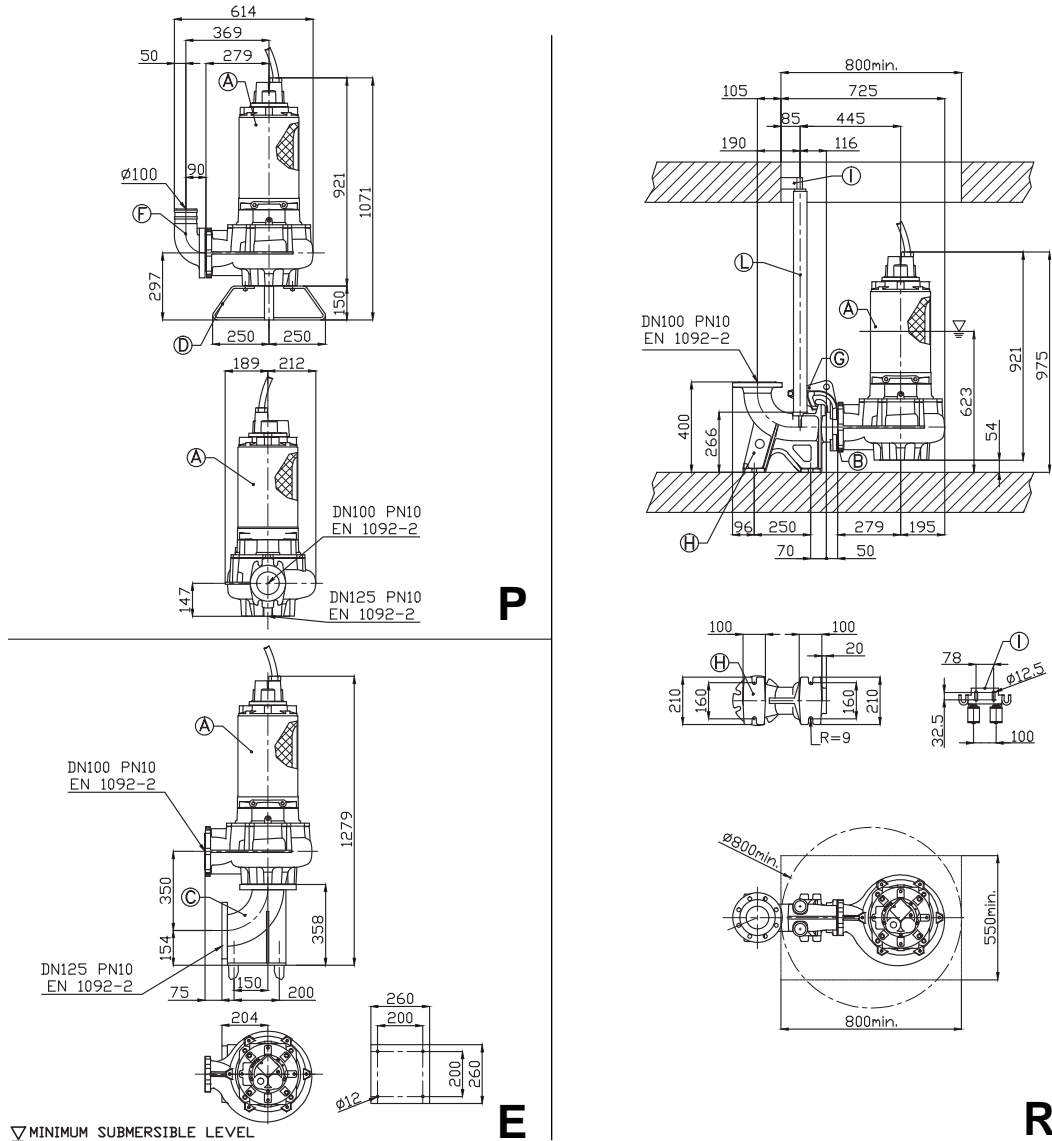
| Size DA            | Model          | Output [kW] | Weight [kg] |
|--------------------|----------------|-------------|-------------|
| DN100<br>EN 1092-2 | 100DRD52.8T6AG | 2,8         | 114         |
|                    | 100DRD54.6T4CG | 4,6         | 115         |
|                    | 100DRD54.6T4BG | 4,6         | 115         |

| Pos.    | Description                             | Material         | Weight Kg |
|---------|---|------------------|-----------|
| A       | Submersible Pump                        |                  | -         |
| B       | Rubber joint DN100                      | Neoprene         | -         |
| Type: P |   |                  |           |
| D       | X foot rest                             | Galvanized Steel | 5         |
| F       | Delivery elbow 90° DN100                | G250 Cast-Iron   | 10        |
| Type: R |   |                  |           |
| G       | Double guide rail coupling flange DN100 | GS250 Cast-Iron  | 12        |
| H       | Double guide coupling feet DN100        | G250 Cast-Iron   | 35        |
| I       | Double guide rail upper support 2"      | Galvanized Steel | 1.9       |
| L       | Guide rail 2"                           | Galvanized Steel | 4.5       |





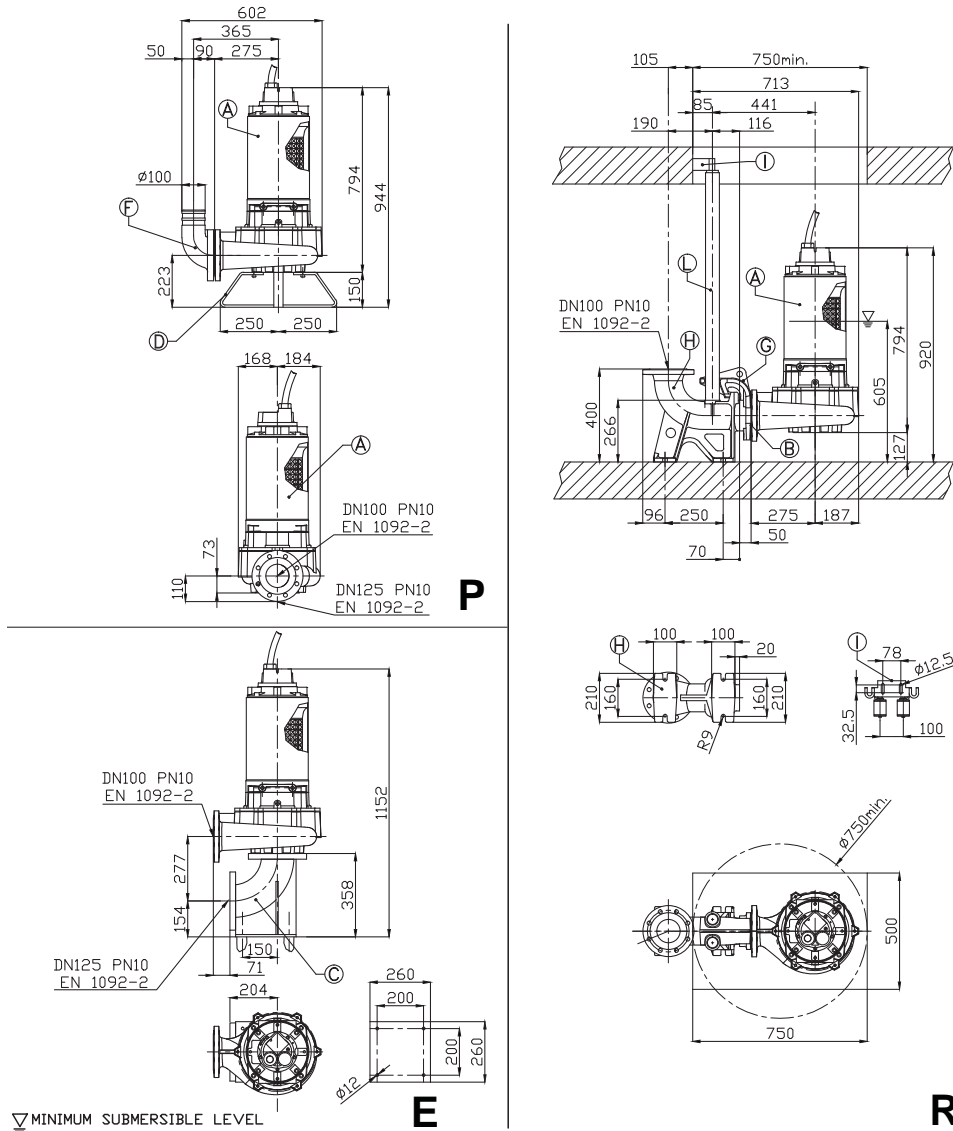
**100DRD/100DRD with QDC (10.0 kW)**



| Size DA            | Model         | Output [kW] | Weight [kg] |
|--------------------|---------------|-------------|-------------|
| DN100<br>EN 1092-2 | 100DRD510T4FG | 10.0        | 205         |
|                    | 100DRD510T4AG | 10.0        | 200         |

| Pos.    | Description                             | Material         | Weight Kg |
|---------|---|------------------|-----------|
| A       | Submersible Pump                        |                  | -         |
| B       | Rubber joint DN100                      | Neoprene         | -         |
| Type: E |   |                  |           |
| C       | Suction elbow 90°                       | Galvanized Steel | 27        |
| Type: P |   |                  |           |
| D       | X foot rest                             | Galvanized Steel | 5         |
| F       | Delivery elbow 90° DN100                | G250 Cast-Iron   | 10        |
| Type: R |   |                  |           |
| G       | Double guide rail coupling flange DN100 | GS250 Cast-Iron  | 12        |
| H       | Double guide coupling feet DN100        | G250 Cast-Iron   | 35        |
| I       | Double guide rail upper support 2"      | Galvanized Steel | 1.9       |
| L       | Guide rail 2"                           | Galvanized Steel | 4.5       |

**100DRD/100DRD with QDC (12.0 ÷ 18.2 kW)**

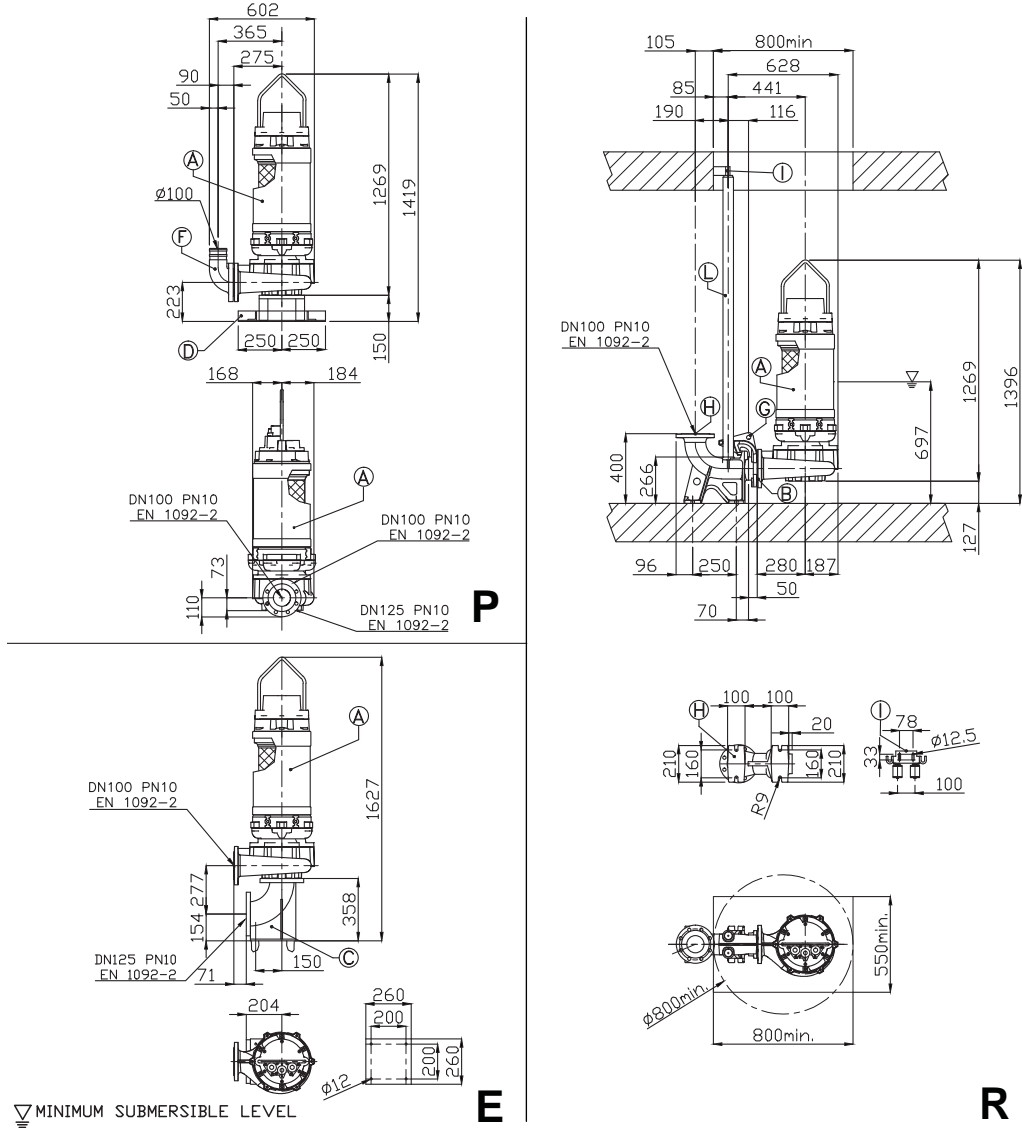


▽ MINIMUM SUBMERSIBLE LEVEL

| Size DA            | Model           | Output [kW] | Weight [kg] |
|--------------------|-----------------|-------------|-------------|
| DN100<br>EN 1092-2 | 100DRD512T2DG   | 12.0        | 200         |
|                    | 100DRD514.9T2CG | 14.9        | 195         |
|                    | 100DRD516.6T2BG | 16.6        | 205         |
|                    | 100DRD518.2T2AG | 18.2        | 206         |

| Pos.    | Description                             | Material         | Weight Kg |
|---------|---|------------------|-----------|
| A       | Submersible Pump                        |                  | -         |
| B       | Rubber joint DN100                      | Neoprene         | -         |
| Type: E |   |                  |           |
| C       | Suction elbow 90°                       | Galvanized Steel | 27        |
| Type: P |   |                  |           |
| D       | X foot rest                             | Galvanized Steel | 5         |
| F       | Delivery elbow 90° DN100                | G250 Cast-Iron   | 10        |
| Type: R |   |                  |           |
| G       | Double guide rail coupling flange DN100 | GS250 Cast-Iron  | 12        |
| H       | Double guide coupling feet DN100        | G250 Cast-Iron   | 35        |
| I       | Double guide rail upper support 2"      | Galvanized Steel | 1.9       |
| L       | Guide rail 2"                           | Galvanized Steel | 4.5       |

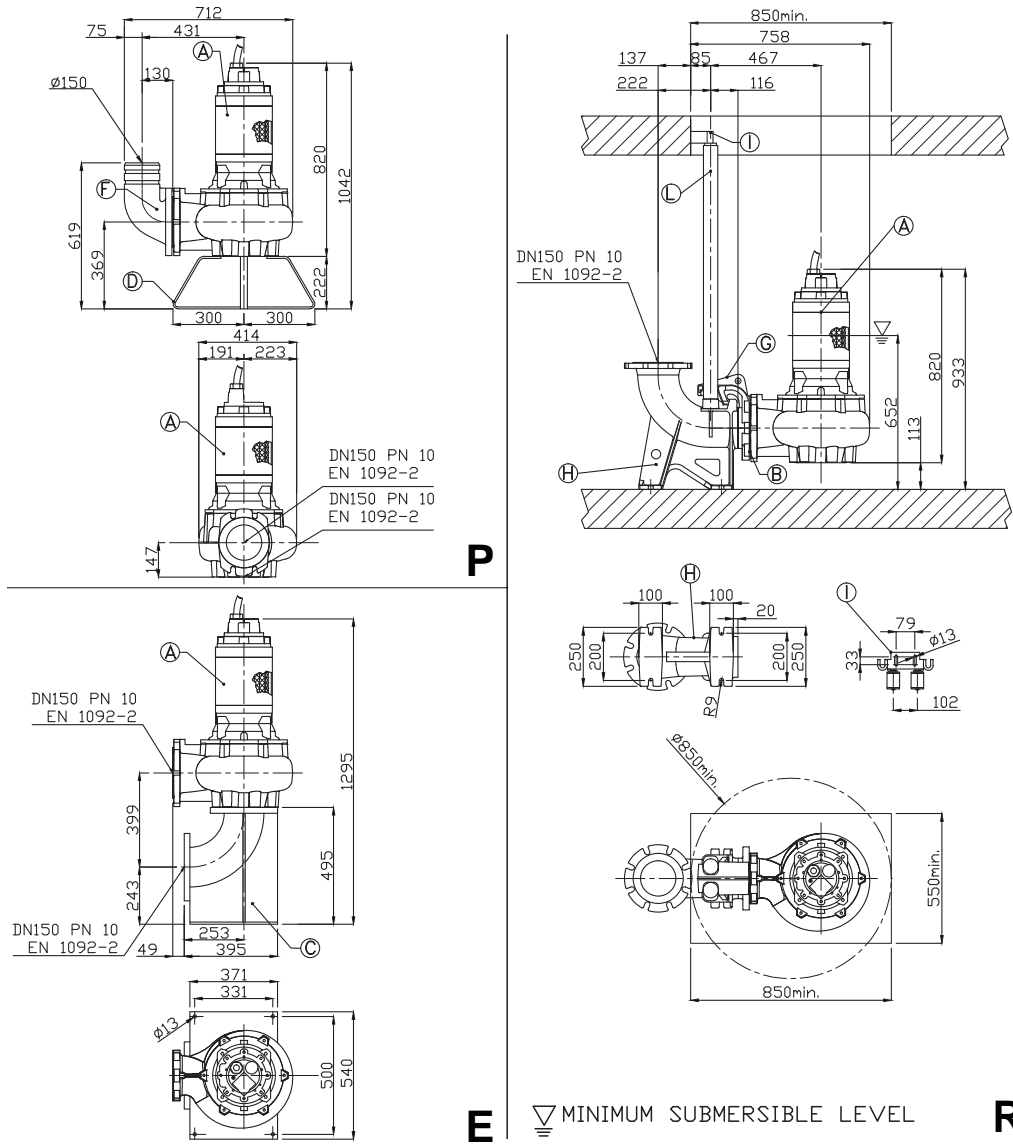
**100DRD/100DRD with QDC (20.0 kW)**



| Size DA         | Model         | Output [kW] | Weight [kg] |
|-----------------|---------------|-------------|-------------|
| DN100 EN 1092-2 | 100DRD520T2AG | 20.0        | 340         |

| Pos.    | Description                             | Material         | Weight Kg |
|---------|---|------------------|-----------|
| A       | Submersible Pump                        |                  | -         |
| B       | Rubber joint DN100                      | Neoprene         | -         |
| Type: E |   |                  |           |
| C       | Suction elbow 90°                       | Galvanized Steel | 27        |
| Type: P |   |                  |           |
| D       | X foot rest                             | Galvanized Steel | 23        |
| F       | Delivery elbow 90° DN100                | G250 Cast-Iron   | 10        |
| Type: R |   |                  |           |
| G       | Double guide rail coupling flange DN100 | GS250 Cast-Iron  | 12        |
| H       | Double guide coupling feet DN100        | G250 Cast-Iron   | 35        |
| I       | Double guide rail upper support 2"      | Galvanized Steel | 1.9       |
| L       | Guide rail 2"                           | Galvanized Steel | 4.5       |

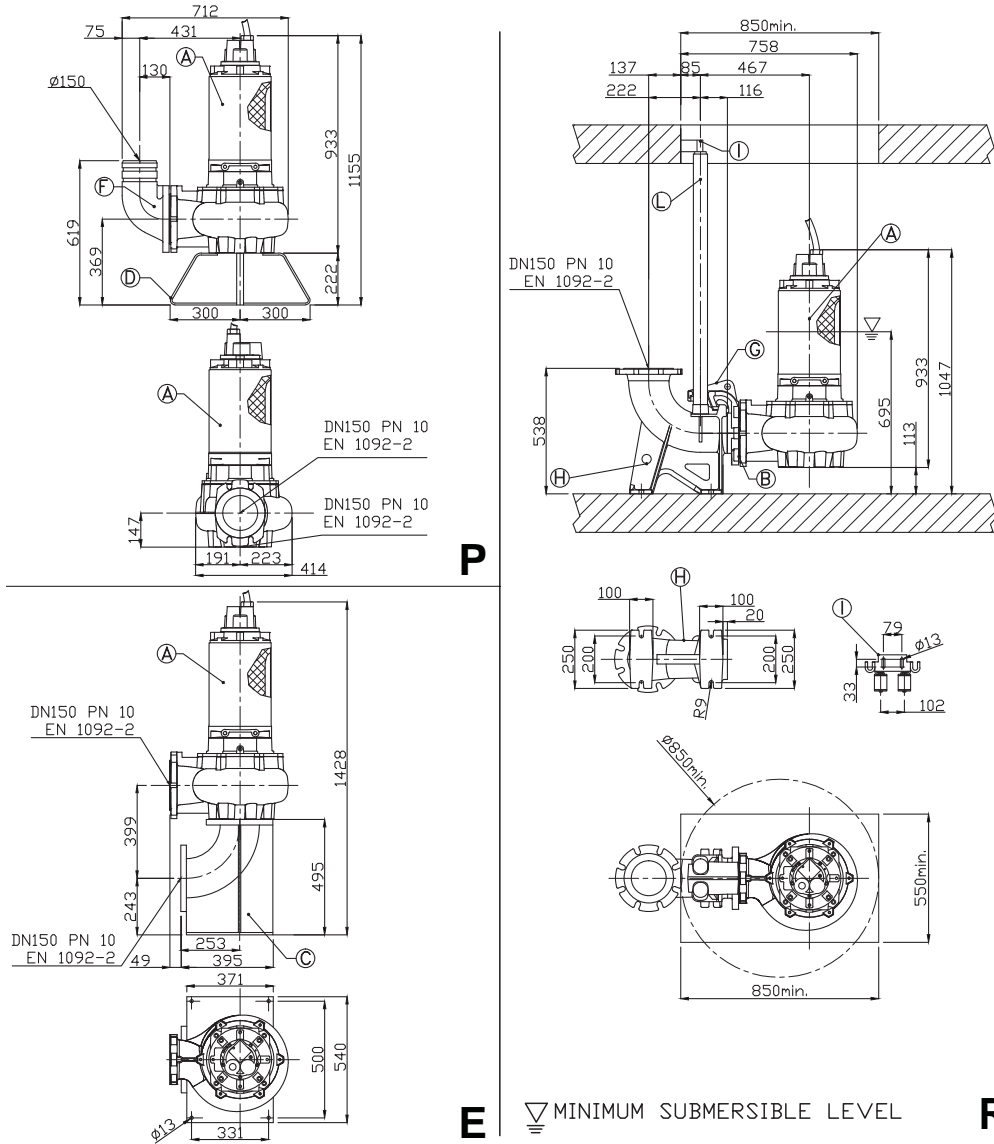
150DRD/150DRD with QDC (6.0 kW)



| Size DA         | Model        | Output [kW] | Weight [kg] |
|-----------------|--------------|-------------|-------------|
| DN150 EN 1092-2 | 150DRD56T6CG | 6.0         | 190         |

| Pos.    | Description                             | Material         | Weight Kg |
|---------|---|------------------|-----------|
| A       | Submersible Pump                        |                  | -         |
| B       | Rubber joint DN150                      | Neoprene         | -         |
| Type: E |   |                  |           |
| C       | Suction elbow 90°                       | Galvanized Steel | 40        |
| Type: P |   |                  |           |
| D       | X foot rest                             | Galvanized Steel | 9         |
| F       | Delivery elbow 90° DN150                | G250 Cast-Iron   | 20        |
| Type: R |   |                  |           |
| G       | Double guide rail coupling flange DN150 | GS250 Cast-Iron  | 12        |
| H       | Double guide coupling feet DN150        | G250 Cast-Iron   | 60        |
| I       | Double guide rail upper support 2"      | Galvanized Steel | 1.9       |
| L       | Guide rail 2"                           | Galvanized Steel | 4.5       |

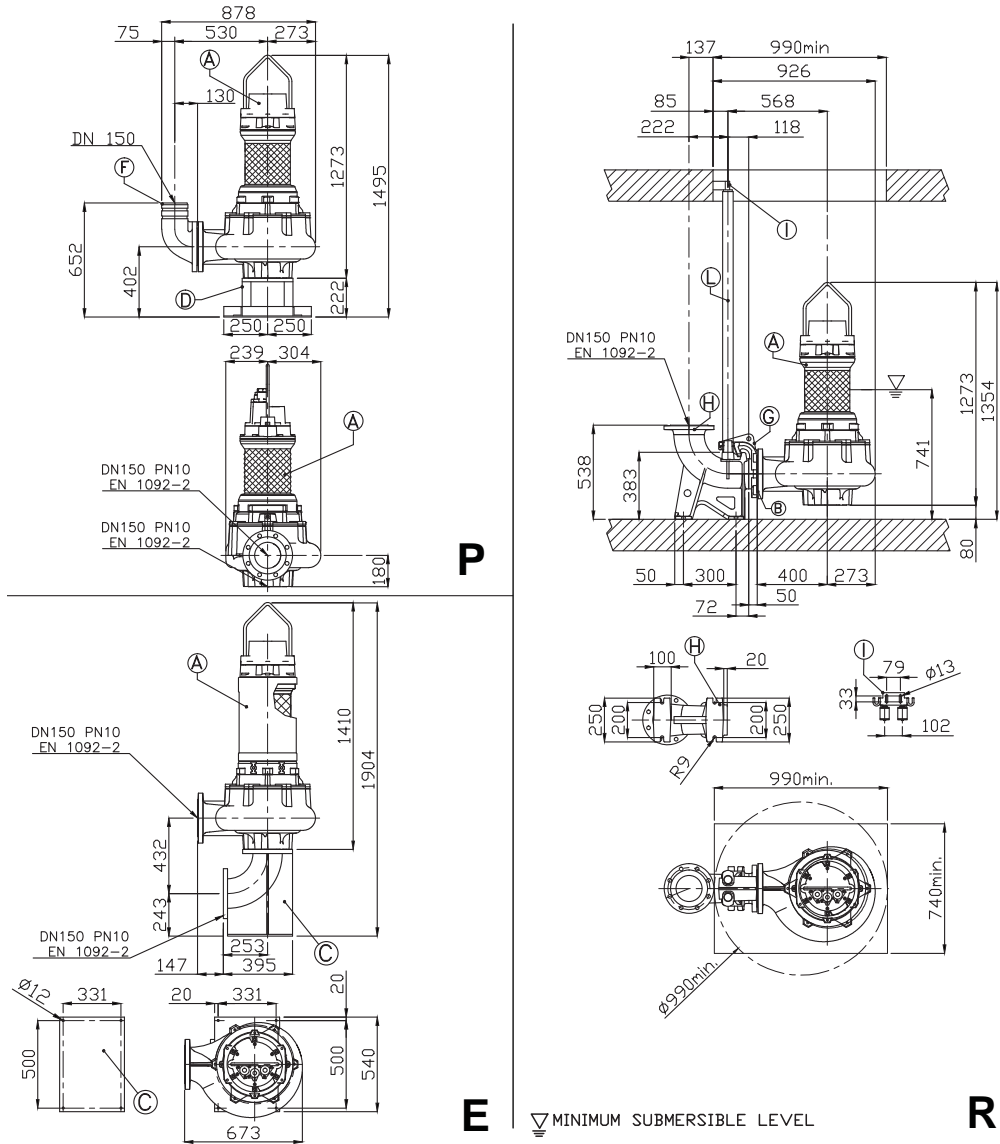
150DRD/150DRD with QDC (8.0 kW)



| Size DA         | Model        | Output [kW] | Weight [kg] |
|-----------------|--------------|-------------|-------------|
| DN150 EN 1092-2 | 150DRD58T6BG | 8.0         | 220         |

| Pos.    | Description                             | Material         | Weight Kg |
|---------|---|------------------|-----------|
| A       | Submersible Pump                        |                  | -         |
| B       | Rubber joint DN150                      | Neoprene         | -         |
| Type: E |   |                  |           |
| C       | Suction elbow 90°                       | Galvanized Steel | 40        |
| Type: P |   |                  |           |
| D       | X foot rest                             | Galvanized Steel | 9         |
| F       | Delivery elbow 90° DN150                | G250 Cast-Iron   | 20        |
| Type: R |   |                  |           |
| G       | Double guide rail coupling flange DN150 | GS250 Cast-Iron  | 12        |
| H       | Double guide coupling feet DN150        | G250 Cast-Iron   | 60        |
| I       | Double guide rail upper support 2"      | Galvanized Steel | 1.9       |
| L       | Guide rail 2"                           | Galvanized Steel | 4.5       |

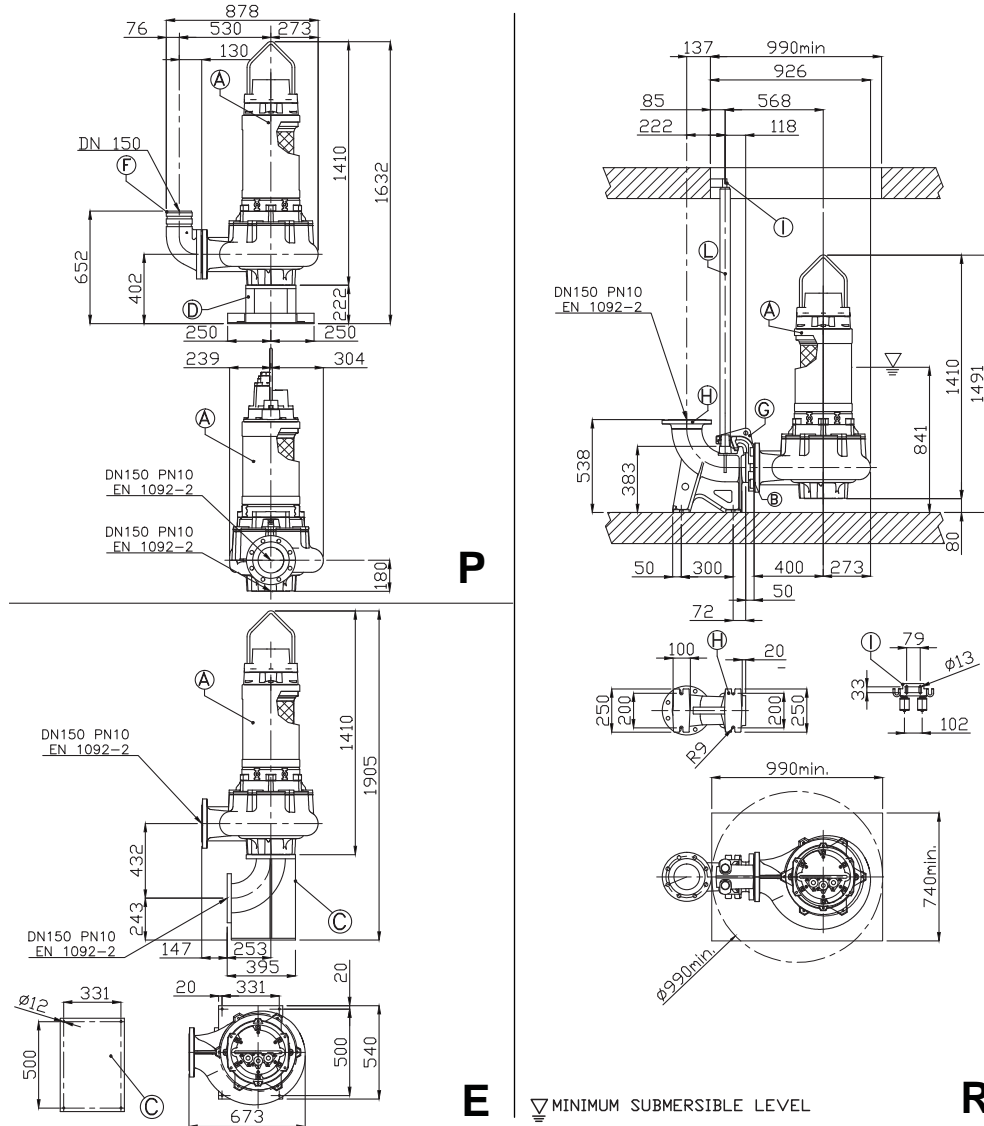
150DRD/150DRD with QDC (12.0 ÷ 14.0 kW)



| Size DA   | Model         | Output [kW] | Weight [kg] |
|-----------|---------------|-------------|-------------|
| DN150     | 150DRD512T6AG | 12.0        | 382         |
| EN 1092-2 | 150DRD514T6BG | 14.0        | 375         |

| Pos.    | Description                             | Material         | Weight Kg |
|---------|---|------------------|-----------|
| A       | Submersible Pump                        |                  | -         |
| B       | Rubber joint DN150                      | Neoprene         | -         |
| Type: E |   |                  |           |
| C       | Suction elbow 90°                       | Galvanized Steel | 40        |
| Type: P |   |                  |           |
| D       | X foot rest                             | Galvanized Steel | 25.1      |
| F       | Delivery elbow 90° DN150                | G250 Cast-Iron   | 20        |
| Type: R |   |                  |           |
| G       | Double guide rail coupling flange DN150 | GS250 Cast-Iron  | 12        |
| H       | Double guide coupling feet DN150        | G250 Cast-Iron   | 60        |
| I       | Double guide rail upper support 2"      | Galvanized Steel | 1.9       |
| L       | Guide rail 2"                           | Galvanized Steel | 4.5       |

**150DRD/150DRD with QDC (23.0 ÷ 27.0 kW)**

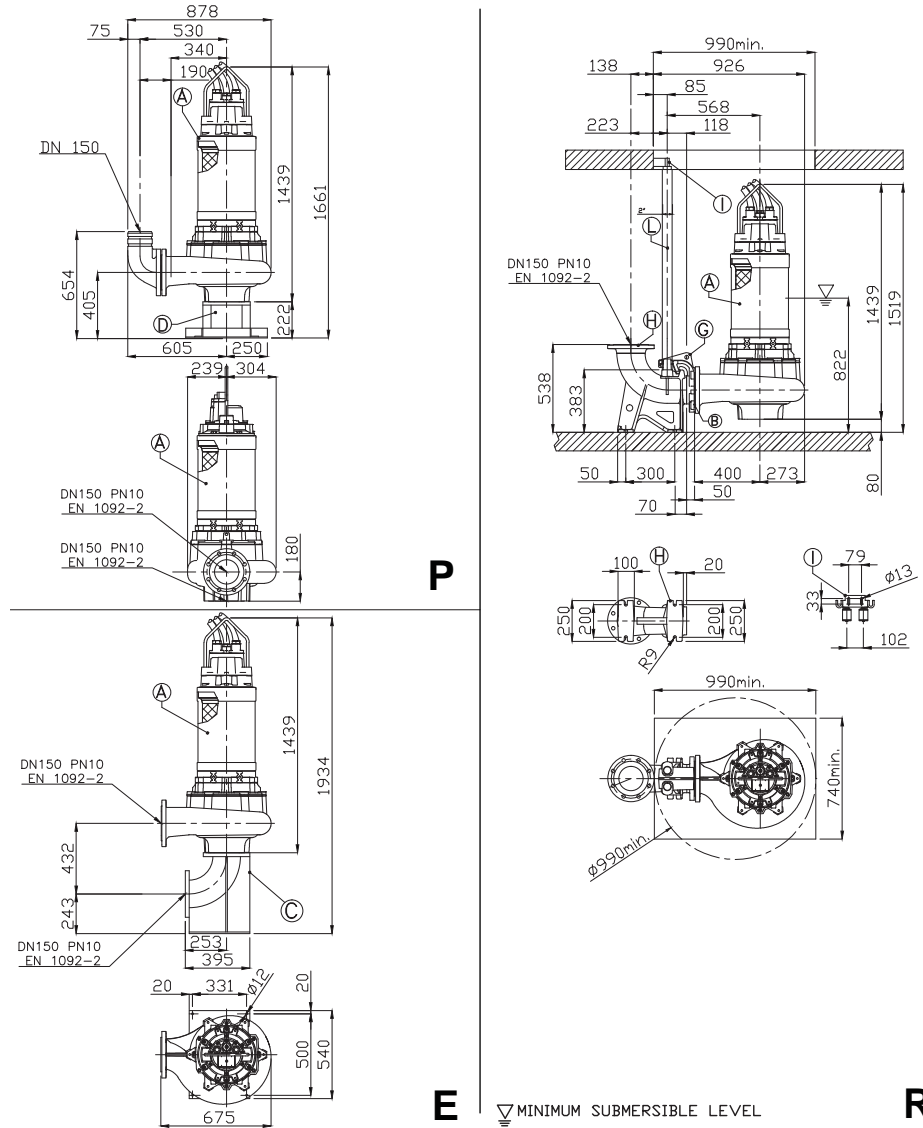


| Size DA         | Model         | Output [kW] | Weight [kg] |
|-----------------|---------------|-------------|-------------|
| DN150 EN 1092-2 | 150DRD523T4CG | 23.0        | 430         |
|                 | 150DRD527T4BG | 27.0        | 430         |
|                 | 150DRD527T4AG | 27.0        | 430         |

| Pos.    | Description                             | Material         | Weight Kg |
|---------|---|------------------|-----------|
| A       | Submersible Pump                        |                  | -         |
| B       | Rubber joint DN150                      | Neoprene         | -         |
| Type: E |   |                  |           |
| C       | Suction elbow 90°                       | Galvanized Steel | 40        |
| Type: P |   |                  |           |
| D       | X foot rest                             | Galvanized Steel | 25.1      |
| F       | Delivery elbow 90° DN150                | G250 Cast-Iron   | 20        |
| Type: R |   |                  |           |
| G       | Double guide rail coupling flange DN150 | GS250 Cast-Iron  | 12        |
| H       | Double guide coupling feet DN150        | G250 Cast-Iron   | 60        |
| I       | Double guide rail upper support 2"      | Galvanized Steel | 1.9       |
| L       | Guide rail 2"                           | Galvanized Steel | 4.5       |



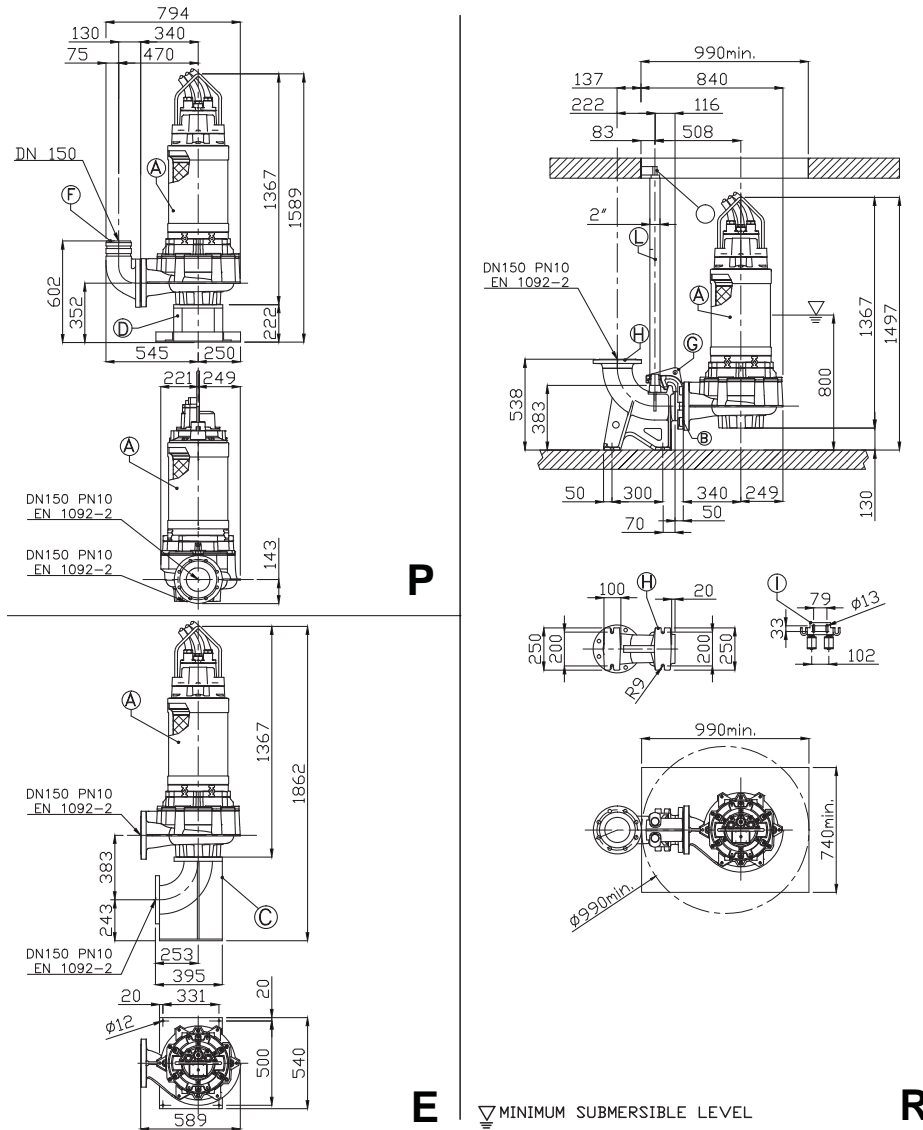
**150DRD/150DRD with QDC (30.0 ÷ 41.0 kW)**



| Size DA            | Model           | Output [kW] | Weight [kg] |
|--------------------|-----------------|-------------|-------------|
| DN150<br>EN 1092-2 | 150DRD530T4BG   | 30,0        | 518         |
|                    | 150DRD530.1T4BG | 30,0        | 515         |
|                    | 150DRD535.7T4EG | 35,7        | 512         |
|                    | 150DRD535.7T4AG | 35,7        | 518         |
|                    | 150DRD541T4AG   | 41,0        | 515         |

| Pos.    | Description                             | Material         | Weight Kg |
|---------|---|------------------|-----------|
| A       | Submersible Pump                        |                  | -         |
| B       | Rubber joint DN150                      | Neoprene         | -         |
| Type: E |   |                  |           |
| C       | Suction elbow 90°                       | Galvanized Steel | 40        |
| Type: P |   |                  |           |
| D       | X foot rest                             | Galvanized Steel | 25.1      |
| F       | Delivery elbow 90° DN150                | G250 Cast-Iron   | 20        |
| Type: R |   |                  |           |
| G       | Double guide rail coupling flange DN150 | GS250 Cast-Iron  | 12        |
| H       | Double guide coupling feet DN150        | G250 Cast-Iron   | 60        |
| I       | Double guide rail upper support 2"      | Galvanized Steel | 1.9       |
| L       | Guide rail 2"                           | Galvanized Steel | 4.5       |

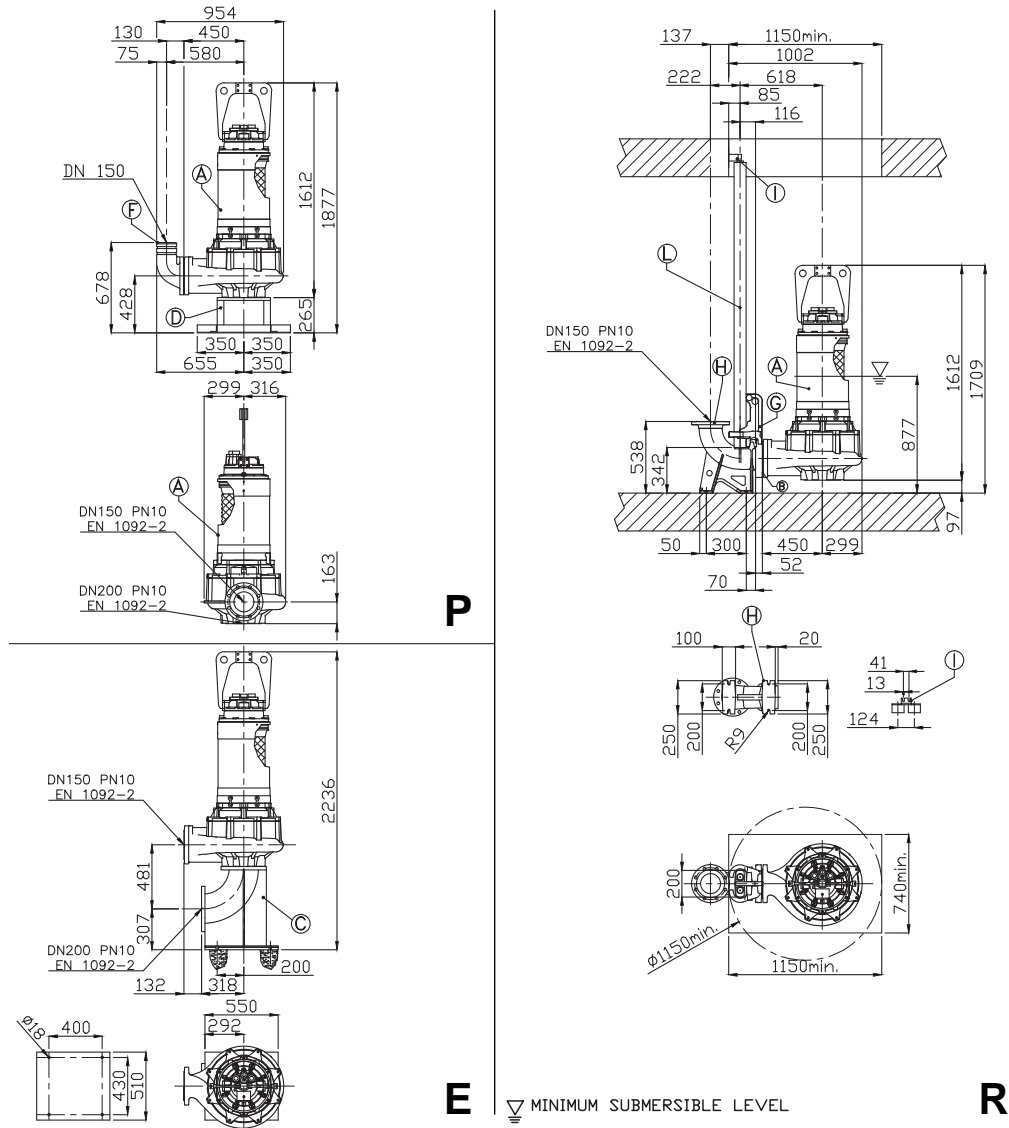
**150DRD/150DRD with QDC (35.0 ÷ 52.0 kW)**



| Size DA         | Model           | Output [kW] | Weight [kg] |
|-----------------|-----------------|-------------|-------------|
| DN150 EN 1092-2 | 150DRD535T2AG   | 35.0        | 512         |
|                 | 150DRD540.2T2BG | 40.2        | 500         |
|                 | 150DRD552T2CG   | 52.0        | 495         |

| Pos.    | Description                             | Material         | Weight Kg |
|---------|---|------------------|-----------|
| A       | Submersible Pump                        |                  | -         |
| B       | Rubber joint DN150                      | Neoprene         | -         |
| Type: E |   |                  |           |
| C       | Suction elbow 90°                       | Galvanized Steel | 40        |
| Type: P |   |                  |           |
| D       | X foot rest                             | Galvanized Steel | 25.1      |
| F       | Delivery elbow 90° DN150                | G250 Cast-Iron   | 20        |
| Type: R |   |                  |           |
| G       | Double guide rail coupling flange DN150 | GS250 Cast-Iron  | 12        |
| H       | Double guide coupling feet DN150        | G250 Cast-Iron   | 60        |
| I       | Double guide rail upper support 2"      | Galvanized Steel | 1.9       |
| L       | Guide rail 2"                           | Galvanized Steel | 4.5       |

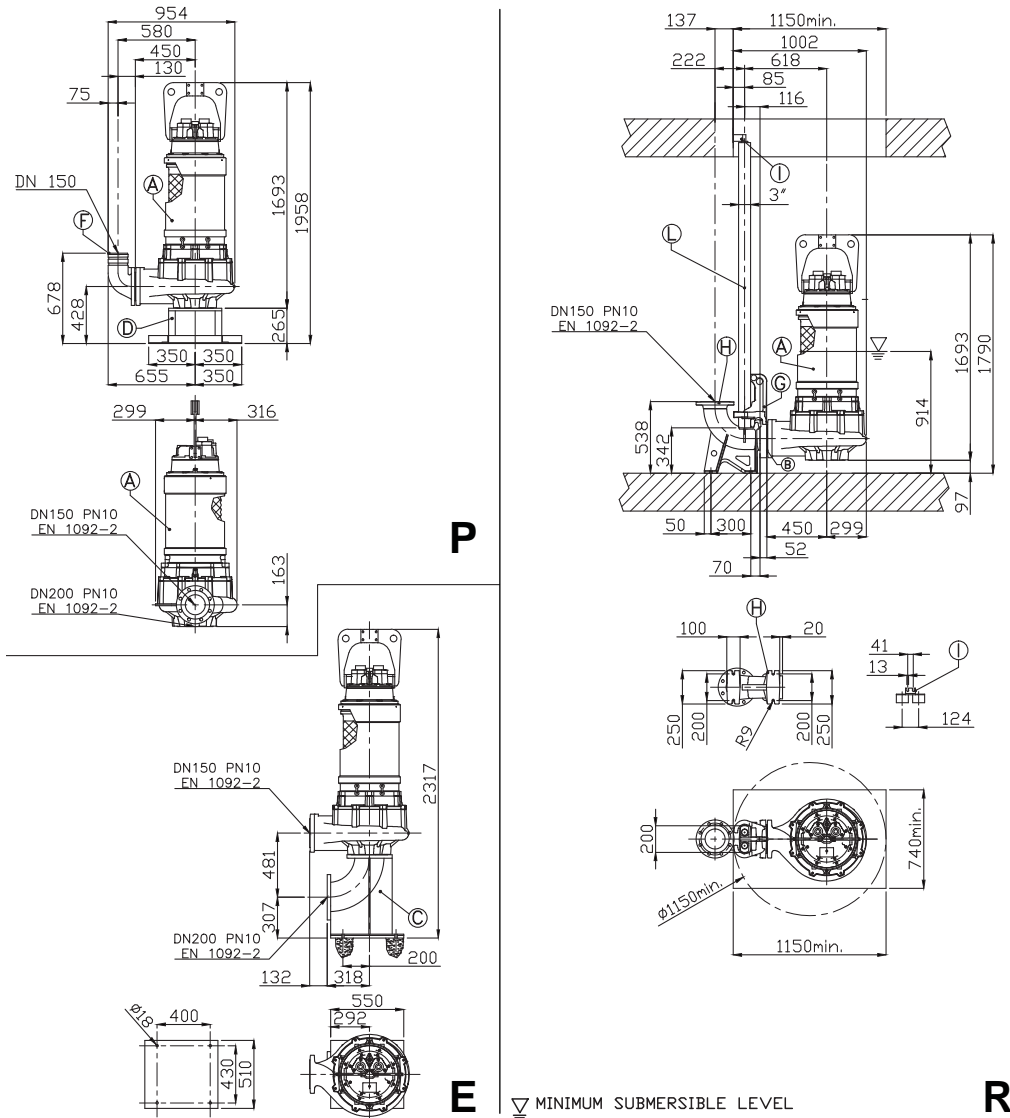
150DRD/150DRD with QDC (60.0 kW)



| Size<br>DA         | Model         | Output<br>[kW] | Weight<br>[kg] |
|--------------------|---------------|----------------|----------------|
| DN150<br>EN 1092-2 | 150DRD560T4GG | 60.0           | 745            |

| Pos.    | Description                             | Material         | Weight Kg |
|---------|---|------------------|-----------|
| A       | Submersible Pump                        |                  | -         |
| B       | Rubber joint DN150                      | Neoprene         | -         |
| Type: E |   |                  |           |
| C       | Suction elbow 90°                       | Galvanized Steel | 59        |
| Type: P |   |                  |           |
| D       | X foot rest                             | Galvanized Steel | 18        |
| F       | Delivery elbow 90° DN150                | G250 Cast-Iron   | 20        |
| Type: R |   |                  |           |
| G       | Double guide rail coupling flange DN150 | GS250 Cast-Iron  | 38        |
| H       | Double guide coupling feet DN150        | G250 Cast-Iron   | 60        |
| I       | Double guide rail upper support 2"      | Galvanized Steel | 1.9       |
| L       | Guide rail 2"                           | Galvanized Steel | -         |

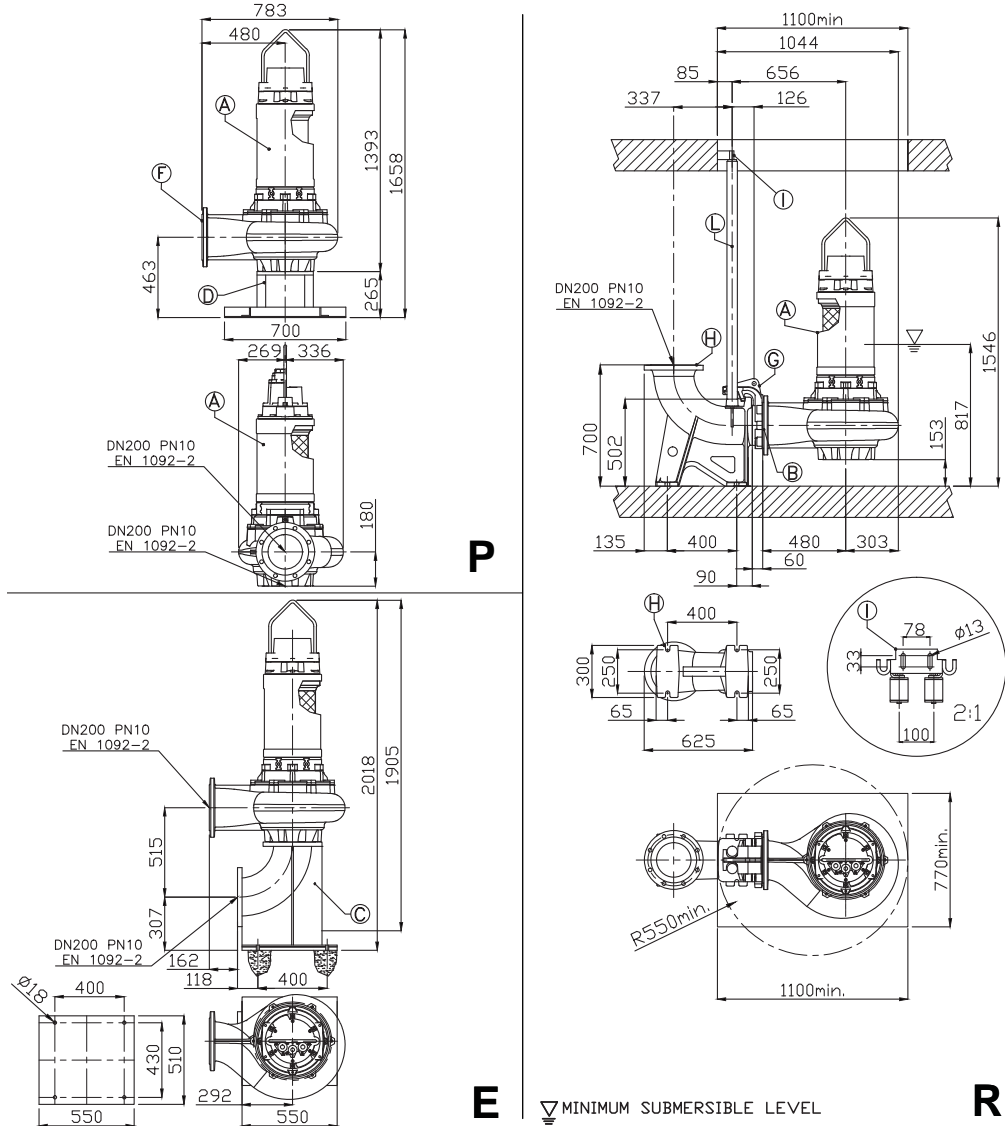
### 150DRD/150DRD with QDC (75.0 ÷ 80.0 kW)



| Size DA            | Model         | Output [kW] | Weight [kg] |
|--------------------|---------------|-------------|-------------|
| DN150<br>EN 1092-2 | 150DRD575T4CG | 75,0        | 915         |
|                    | 150DRD580T4BG | 80,0        | 915         |
|                    | 150DRD580T4AG | 80,0        | 915         |

| Pos.    | Description                             | Material         | Weight Kg |
|---------|---|------------------|-----------|
| A       | Submersible Pump                        |                  | -         |
| B       | Rubber joint DN150                      | Neoprene         | -         |
| Type: E |   |                  |           |
| C       | Suction elbow 90°                       | Galvanized Steel | 59        |
| Type: P |   |                  |           |
| D       | X foot rest                             | Galvanized Steel | 18        |
| F       | Delivery elbow 90° DN150                | G250 Cast-Iron   | 20        |
| Type: R |   |                  |           |
| G       | Double guide rail coupling flange DN150 | GS250 Cast-Iron  | 38        |
| H       | Double guide coupling feet DN150        | G250 Cast-Iron   | 60        |
| I       | Double guide rail upper support 2"      | Galvanized Steel | 1.9       |
| L       | Guide rail 2"                           | Galvanized Steel | -         |

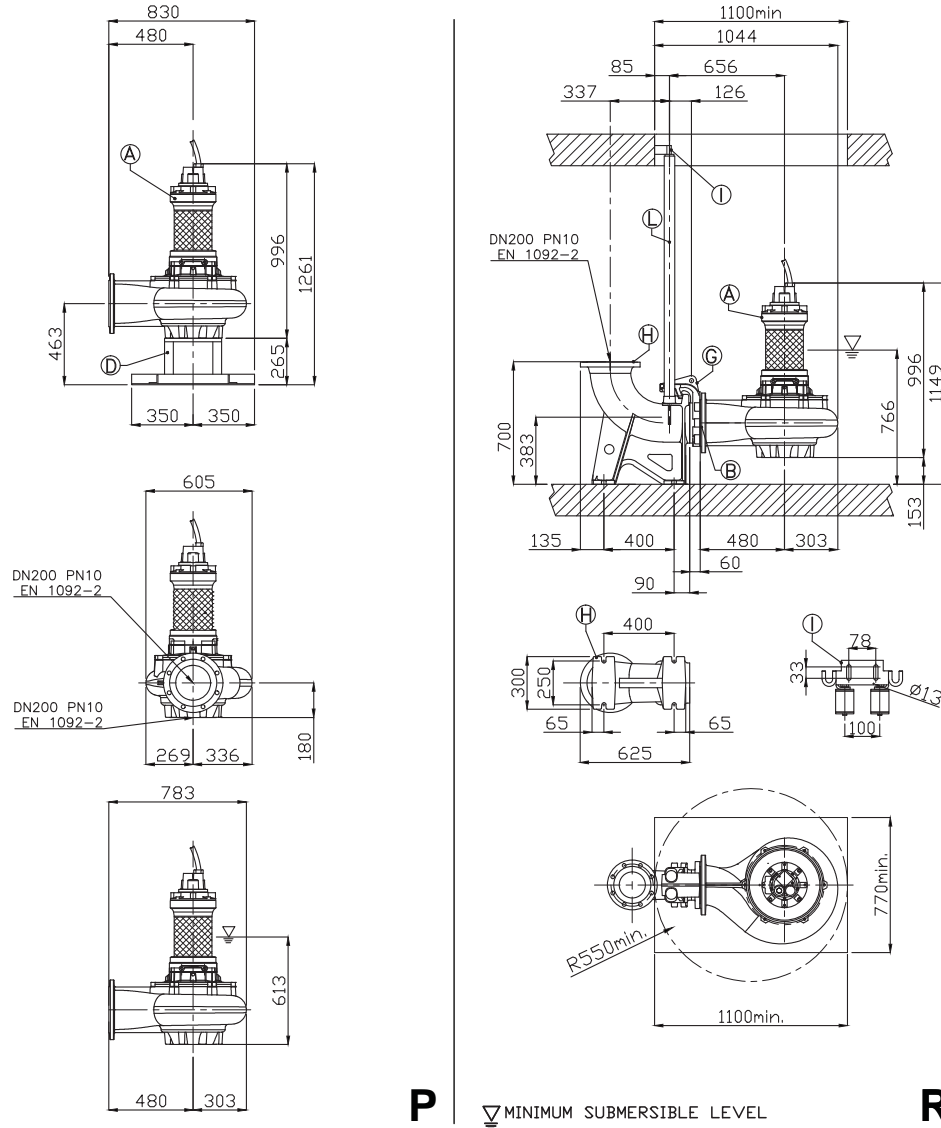
**200DRD/200DRD with QDC (6.0 ÷ 23.0 kW)**



| Size DA            | Model           | Output [kW] | Weight [kg] |
|--------------------|-----------------|-------------|-------------|
| DN200<br>EN 1092-2 | 200DRD56T8AG    | 6,0         | 430         |
|                    | 200DRD59.3T8CG  | 9,3         | 430         |
|                    | 200DRD59.3T8BG  | 9,3         | 435         |
|                    | 200DRD515.8T6CG | 15,8        | 460         |
|                    | 200DRD518.9T6BG | 18,9        | 460         |
|                    | 200DRD523T6AG   | 23,0        | 460         |

| Pos.    | Description                             | Material         | Weight Kg |
|---------|---|------------------|-----------|
| A       | Submersible Pump                        |                  | -         |
| B       | Rubber joint DN200                      | Neoprene         | -         |
| Type: E |   |                  |           |
| C       | Suction elbow 90°                       | Galvanized Steel | 59        |
| Type: P |   |                  |           |
| D       | X foot rest                             | Galvanized Steel | 18        |
| Type: R |   |                  |           |
| G       | Double guide rail coupling flange DN200 | GS250 Cast-Iron  | 30        |
| H       | Double guide coupling feet DN200        | G250 Cast-Iron   | 120       |
| I       | Double guide rail upper support 2"      | Galvanized Steel | 1.9       |
| L       | Guide rail 2"                           | Galvanized Steel | 4.5       |

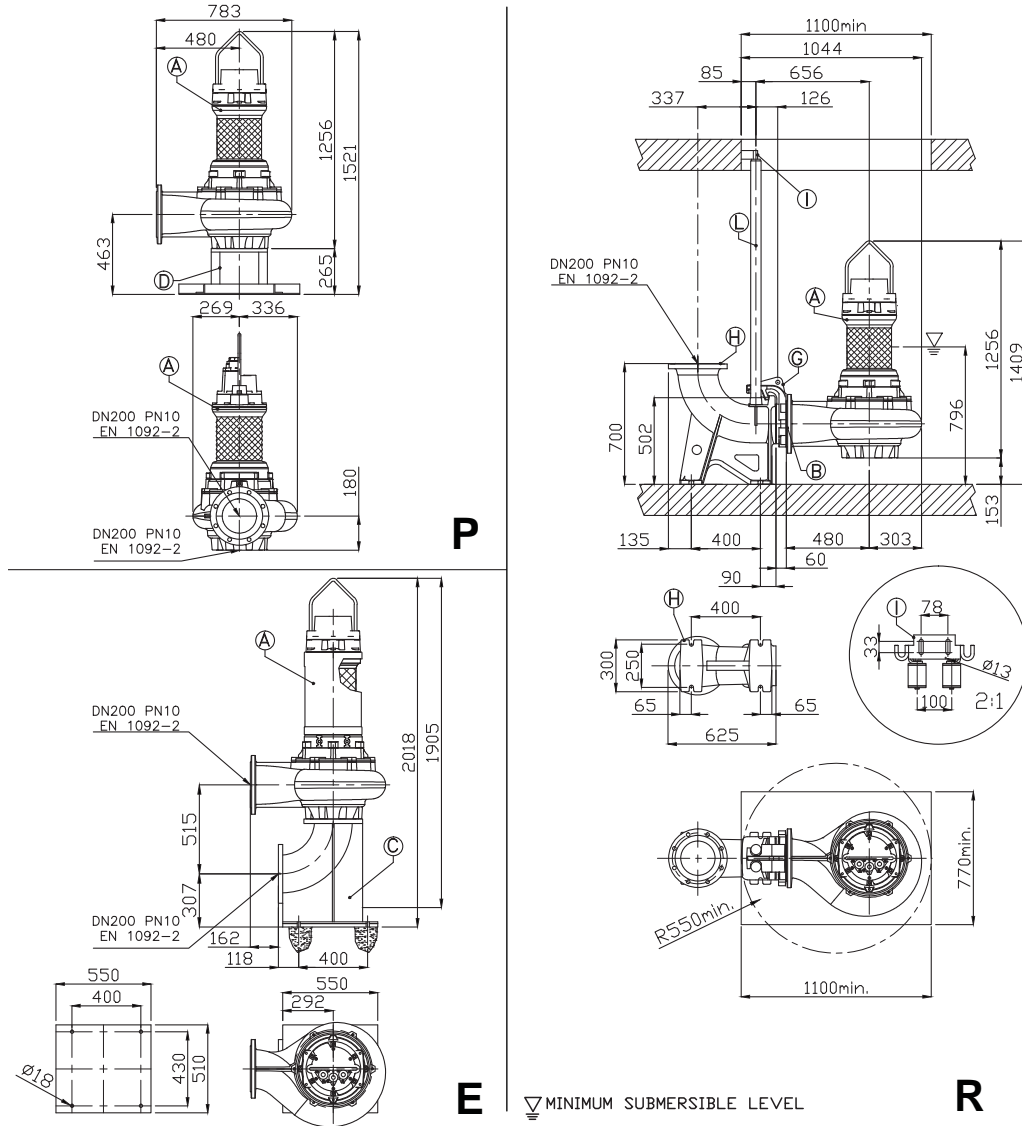
**200DRD/200DRD with QDC (6.2 ÷ 9.8 kW)**



| Size<br>DA         | Model          | Output<br>[kW] | Weight<br>[kg] |
|--------------------|----------------|----------------|----------------|
| DN200<br>EN 1092-2 | 200DRD56.2T8CG | 6,2            | 330            |
|                    | 200DRD58T8AG   | 8,0            | 330            |
|                    | 200DRD59.8T6CG | 9,8            | 332            |

| Pos.    | Description                             | Material         | Weight Kg |
|---------|---|------------------|-----------|
| A       | Submersible Pump                        |                  | -         |
| B       | Rubber joint DN200                      | Neoprene         | -         |
| Type: E |   |                  |           |
| C       | Suction elbow 90°                       | Galvanized Steel | 59        |
| Type: P |   |                  |           |
| D       | X foot rest                             | Galvanized Steel | 18        |
| Type: R |   |                  |           |
| G       | Double guide rail coupling flange DN200 | GS250 Cast-Iron  | 30        |
| H       | Double guide coupling feet DN200        | G250 Cast-Iron   | 120       |
| I       | Double guide rail upper support 2"      | Galvanized Steel | 1.9       |
| L       | Guide rail 2"                           | Galvanized Steel | 4.5       |

**200DRD/200DRD with QDC (14.0 kW)**



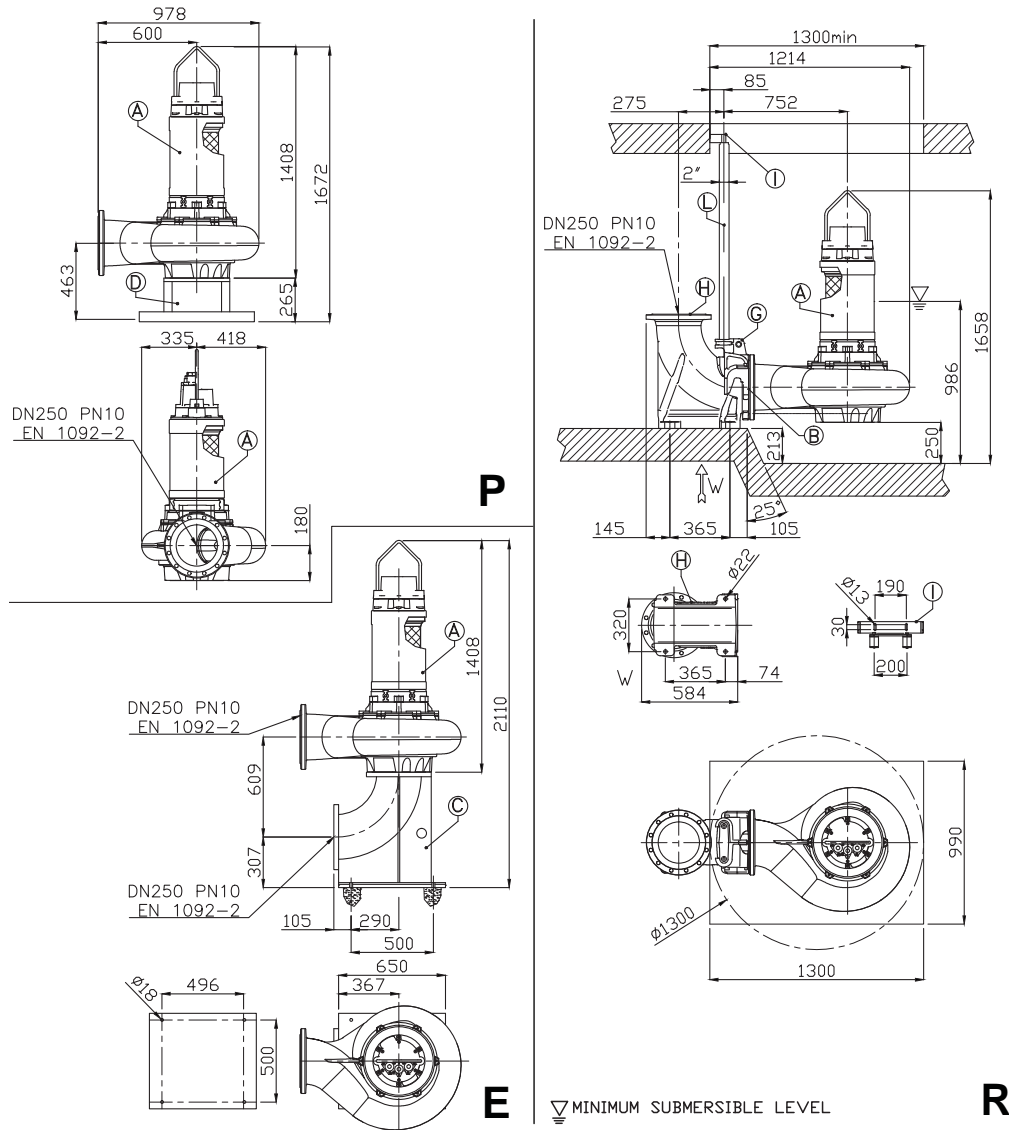
| Size DA   | Model         | Output [kW] | Weight [kg] |
|-----------|---------------|-------------|-------------|
| DN200     | 200DRD514T6BG | 14,0        | 385         |
| EN 1092-2 | 200DRD514T6AG | 14,0        | 382         |

| Pos.    | Description                             | Material         | Weight Kg |
|---------|---|------------------|-----------|
| A       | Submersible Pump                        |                  | -         |
| B       | Rubber joint DN200                      | Neoprene         | -         |
| Type: E |   |                  |           |
| C       | Suction elbow 90°                       | Galvanized Steel | 59        |
| Type: P |   |                  |           |
| D       | X foot rest                             | Galvanized Steel | 18        |
| Type: R |   |                  |           |
| G       | Double guide rail coupling flange DN200 | GS250 Cast-Iron  | 30        |
| H       | Double guide coupling feet DN200        | G250 Cast-Iron   | 120       |
| I       | Double guide rail upper support 2"      | Galvanized Steel | 1.9       |
| L       | Guide rail 2"                           | Galvanized Steel | 4.5       |





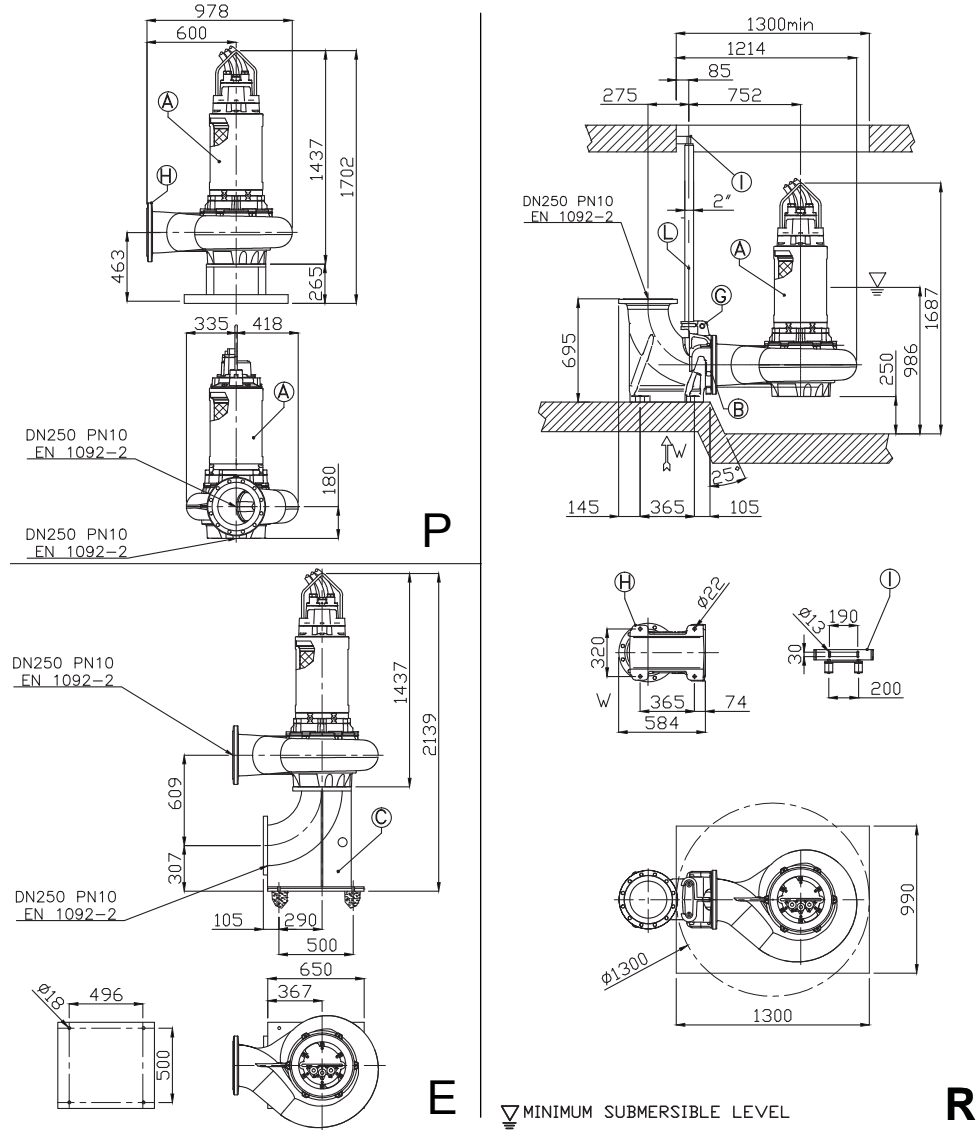
**250DRD/250DRD with QDC (12.4 ÷ 23.0 kW)**



| Size DA            | Model           | Output [kW] | Weight [kg] |
|--------------------|-----------------|-------------|-------------|
| DN250<br>EN 1092-2 | 250DRD512.4T8DG | 12,4        | 520         |
|                    | 250DRD517.1T8CG | 17,1        | 520         |
|                    | 250DRD523T6DG   | 23,0        | 530         |

| Pos.    | Description                             | Material         | Weight Kg |
|---------|---|------------------|-----------|
| A       | Submersible Pump                        |                  | -         |
| B       | Rubber joint DN250                      | Neoprene         | -         |
| Type: E |   |                  |           |
| C       | Suction elbow 90°                       | Galvanized Steel | 65        |
| Type: P |   |                  |           |
| D       | X foot rest                             | Galvanized Steel | 20        |
| Type: R |   |                  |           |
| G       | Double guide rail coupling flange DN250 | GS250 Cast-Iron  | 36        |
| H       | Double guide coupling feet DN250        | G250 Cast-Iron   | 135       |
| I       | Double guide rail upper support 2"      | Galvanized Steel | 4.1       |
| L       | Guide rail 2"                           | Galvanized Steel | 4.5       |

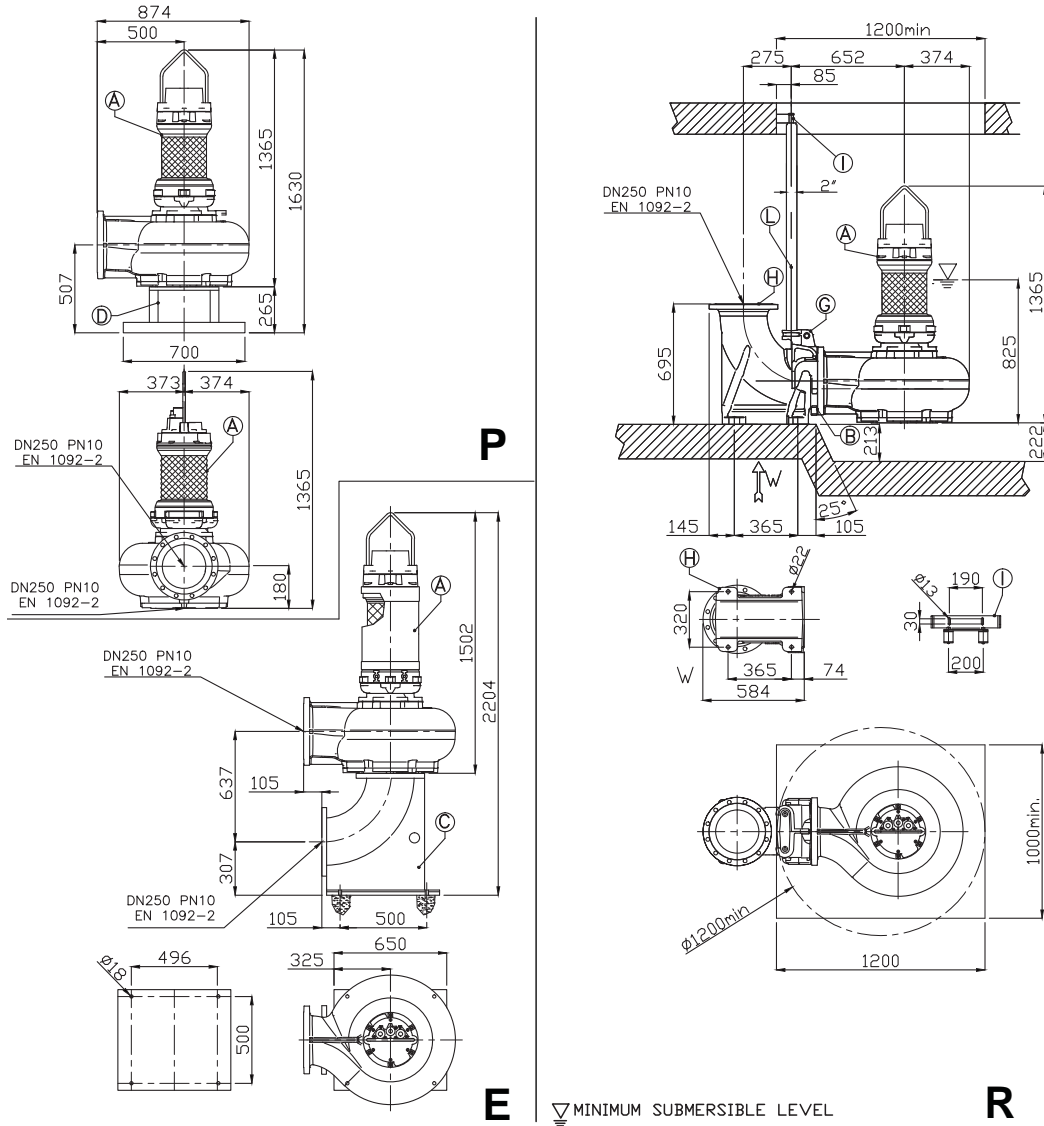
**250DRD/250DRD with QDC (19.0 ÷ 29.0 kW)**



| Size DA   | Model         | Output [kW] | Weight [kg] |
|-----------|---------------|-------------|-------------|
| DN250     | 250DRD519T8AG | 19,0        | 600         |
| EN 1092-2 | 250DRD529T6CG | 29,0        | 590         |

| Pos.    | Description                             | Material         | Weight Kg |
|---------|---|------------------|-----------|
| A       | Submersible Pump                        |                  | -         |
| B       | Rubber joint DN250                      | Neoprene         | -         |
| Type: E |   |                  |           |
| C       | Suction elbow 90°                       | Galvanized Steel | 65        |
| Type: P |   |                  |           |
| D       | X foot rest                             | Galvanized Steel | 20        |
| Type: R |   |                  |           |
| G       | Double guide rail coupling flange DN250 | GS250 Cast-Iron  | 36        |
| H       | Double guide coupling feet DN250        | G250 Cast-Iron   | 135       |
| I       | Double guide rail upper support 2"      | Galvanized Steel | 4.1       |
| L       | Guide rail 2"                           | Galvanized Steel | 4.5       |

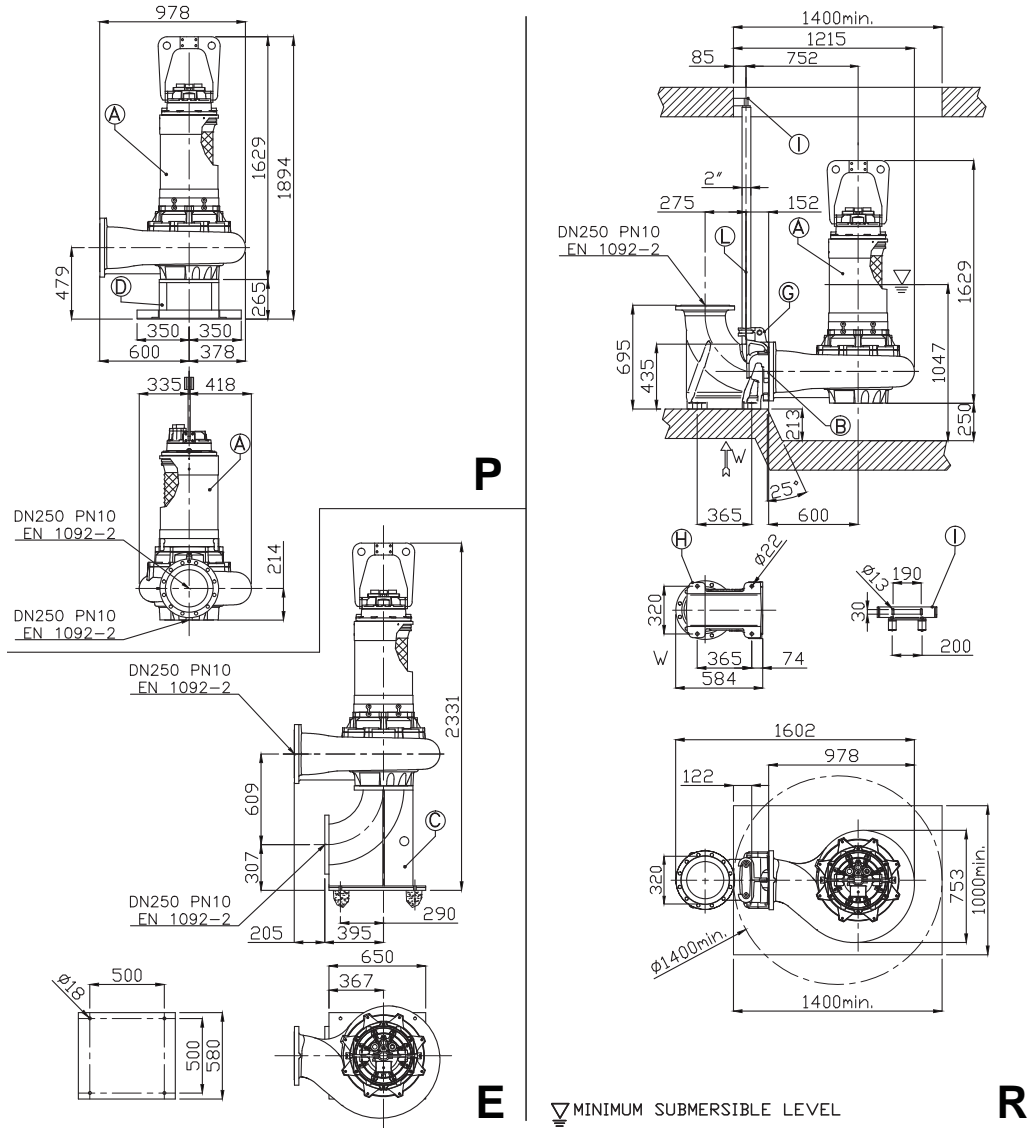
250DRD/250DRD with QDC (15.0 kW)



| Size<br>DA         | Model         | Output<br>[kW] | Weight<br>[kg] |
|--------------------|---------------|----------------|----------------|
| DN250<br>EN 1092-2 | 250DRD515T4AG | 15.0           | 440            |

| Pos.    | Description                             | Material         | Weight Kg |
|---------|---|------------------|-----------|
| A       | Submersible Pump                        |                  | -         |
| B       | Rubber joint DN250                      | Neoprene         | -         |
| Type: E |   |                  |           |
| C       | Suction elbow 90°                       | Galvanized Steel | 65        |
| Type: P |   |                  |           |
| D       | X foot rest                             | Galvanized Steel | 20        |
| Type: R |   |                  |           |
| G       | Double guide rail coupling flange DN250 | GS250 Cast-Iron  | 36        |
| H       | Double guide coupling feet DN250        | G250 Cast-Iron   | 135       |
| I       | Double guide rail upper support 2"      | Galvanized Steel | 4.1       |
| L       | Guide rail 2"                           | Galvanized Steel | 4.5       |

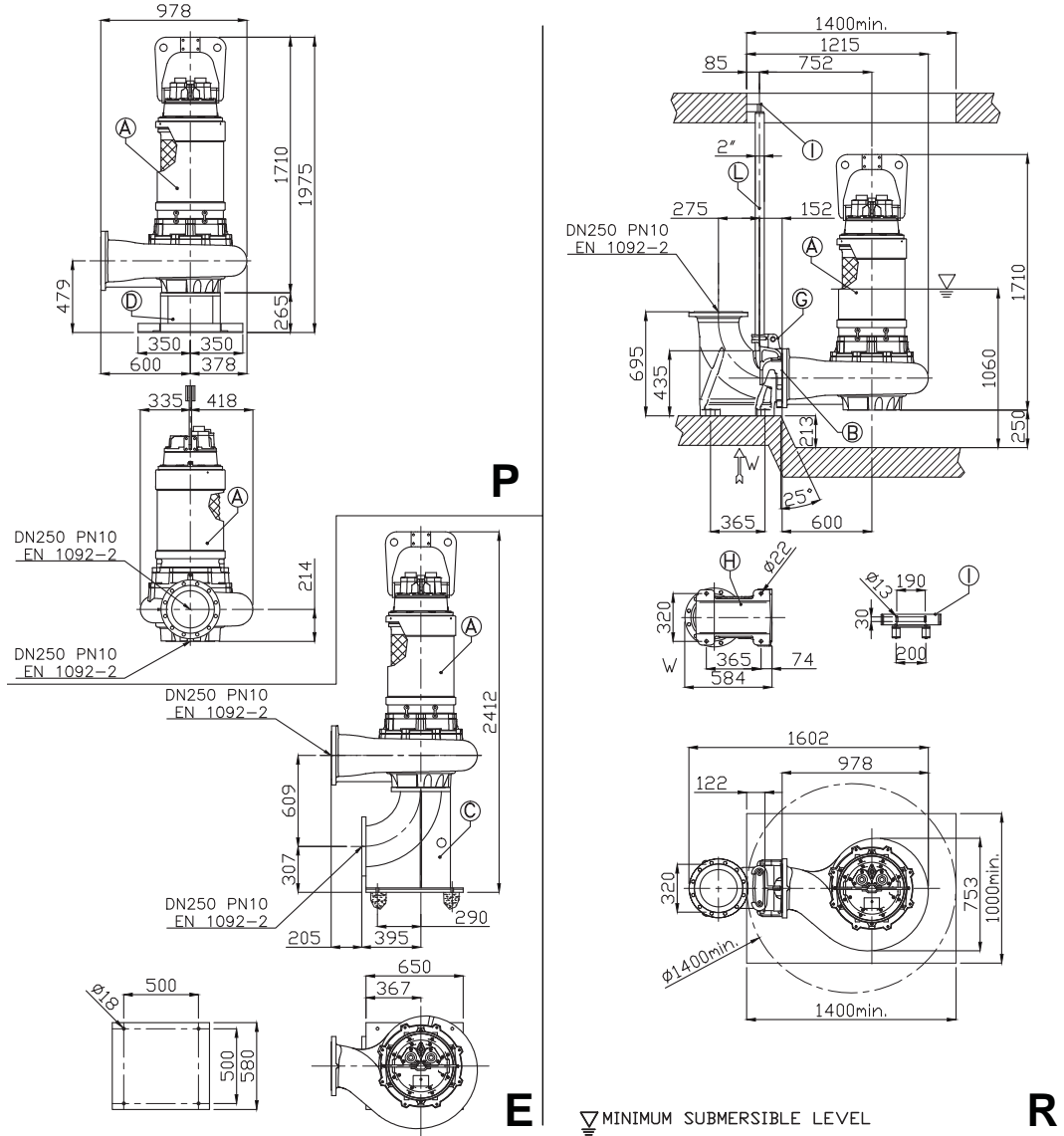
**250DRD/250DRD with QDC (39.2 kW)**



| Size DA            | Model           | Output [kW] | Weight [kg] |
|--------------------|-----------------|-------------|-------------|
| DN250<br>EN 1092-2 | 250DRD539.2T6BG | 39,2        | 750         |
|                    | 250DRD539.2T6AG | 39,2        | 750         |

| Pos.    | Description                             | Material         | Weight Kg |
|---------|---|------------------|-----------|
| A       | Submersible Pump                        |                  | -         |
| B       | Rubber joint DN250                      | Neoprene         | -         |
| Type: E |   |                  |           |
| C       | Suction elbow 90°                       | Galvanized Steel | 65        |
| Type: P |   |                  |           |
| D       | X foot rest                             | Galvanized Steel | 20        |
| Type: R |   |                  |           |
| G       | Double guide rail coupling flange DN250 | GS250 Cast-Iron  | 36        |
| H       | Double guide coupling feet DN250        | G250 Cast-Iron   | 135       |
| I       | Double guide rail upper support 2"      | Galvanized Steel | 4.1       |
| L       | Guide rail 2"                           | Galvanized Steel | 4.5       |

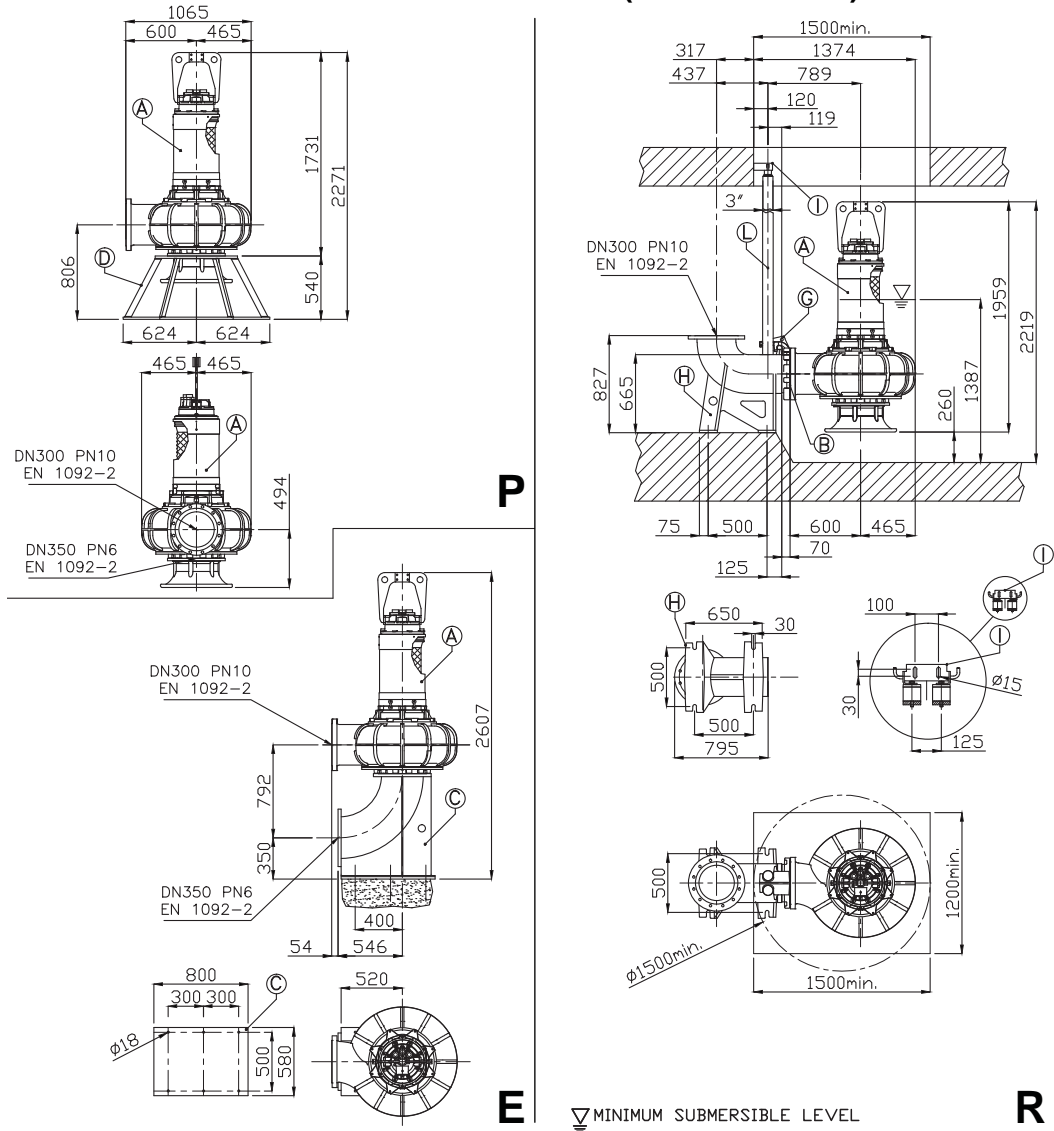
**250DRD/250DRD with QDC (65.0 ÷ 85.0 kW)**



| Size DA            | Model         | Output [kW] | Weight [kg] |
|--------------------|---------------|-------------|-------------|
| DN250<br>EN 1092-2 | 250DRD565T4DG | 65.0        | 940         |
|                    | 250DRD575T4CG | 75.0        | 970         |
|                    | 250DRD575T4BG | 75.0        | 940         |
|                    | 250DRD585T4AG | 85.0        | 940         |

| Pos.    | Description                             | Material         | Weight Kg |
|---------|---|------------------|-----------|
| A       | Submersible Pump                        |                  | -         |
| B       | Rubber joint DN250                      | Neoprene         | -         |
| Type: E |   |                  |           |
| C       | Suction elbow 90°                       | Galvanized Steel | 65        |
| Type: P |   |                  |           |
| D       | X foot rest                             | Galvanized Steel | 20        |
| Type: R |   |                  |           |
| G       | Double guide rail coupling flange DN250 | GS250 Cast-Iron  | 36        |
| H       | Double guide coupling feet DN250        | G250 Cast-Iron   | 135       |
| I       | Double guide rail upper support 2"      | Galvanized Steel | 4.1       |
| L       | Guide rail 2"                           | Galvanized Steel | 4.5       |

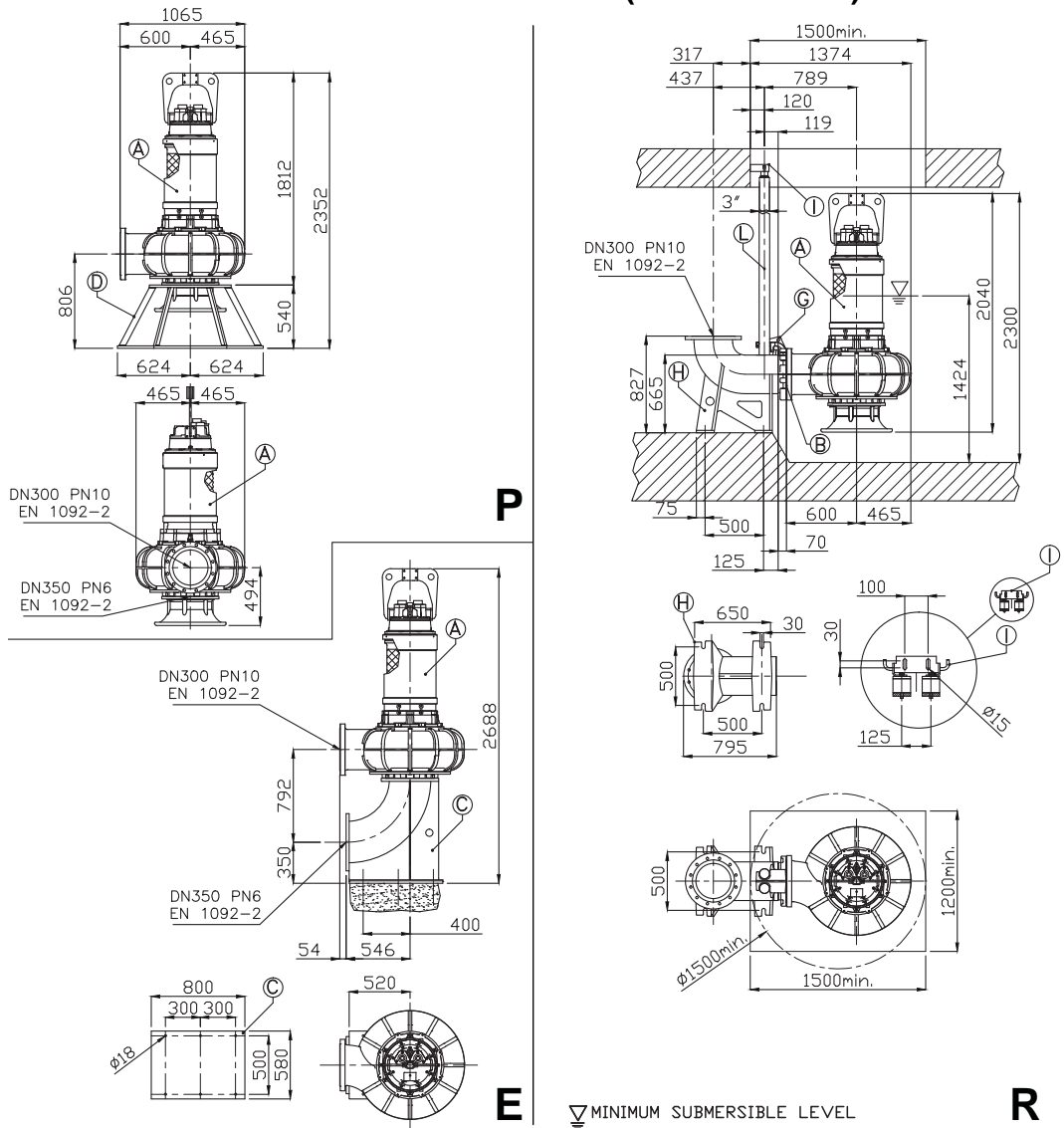
**300DRD/300DRD with QDC (21.8 ÷ 39.2 kW)**



| Size DA            | Model           | Output [kW] | Weight [kg] |
|--------------------|-----------------|-------------|-------------|
| DN300<br>EN 1092-2 | 300DRD521.8T8BG | 21,8        | 1024        |
|                    | 300DRD526.7T8CG | 26,7        | 1024        |
|                    | 300DRD533.4T6DG | 33,4        | 1030        |
|                    | 300DRD539.2T6CG | 39,2        | 1030        |

| Pos.    | Description                             | Material         | Weight Kg |
|---------|---|------------------|-----------|
| A       | Submersible Pump                        |                  | -         |
| B       | Rubber joint DN300                      | Neoprene         | -         |
| Type: E |   |                  |           |
| C       | Suction elbow 90°                       | Galvanized Steel | 200       |
| Type: P |   |                  |           |
| D       | X foot rest                             | Galvanized Steel | 135       |
| Type: R |   |                  |           |
| G       | Double guide rail coupling flange DN300 | GS250 Cast-Iron  | 40        |
| H       | Double guide coupling feet DN300        | G250 Cast-Iron   | 247       |
| I       | Double guide rail upper support 3"      | Galvanized Steel | 2.6       |
| L       | Guide rail 3"                           | Galvanized Steel | -         |

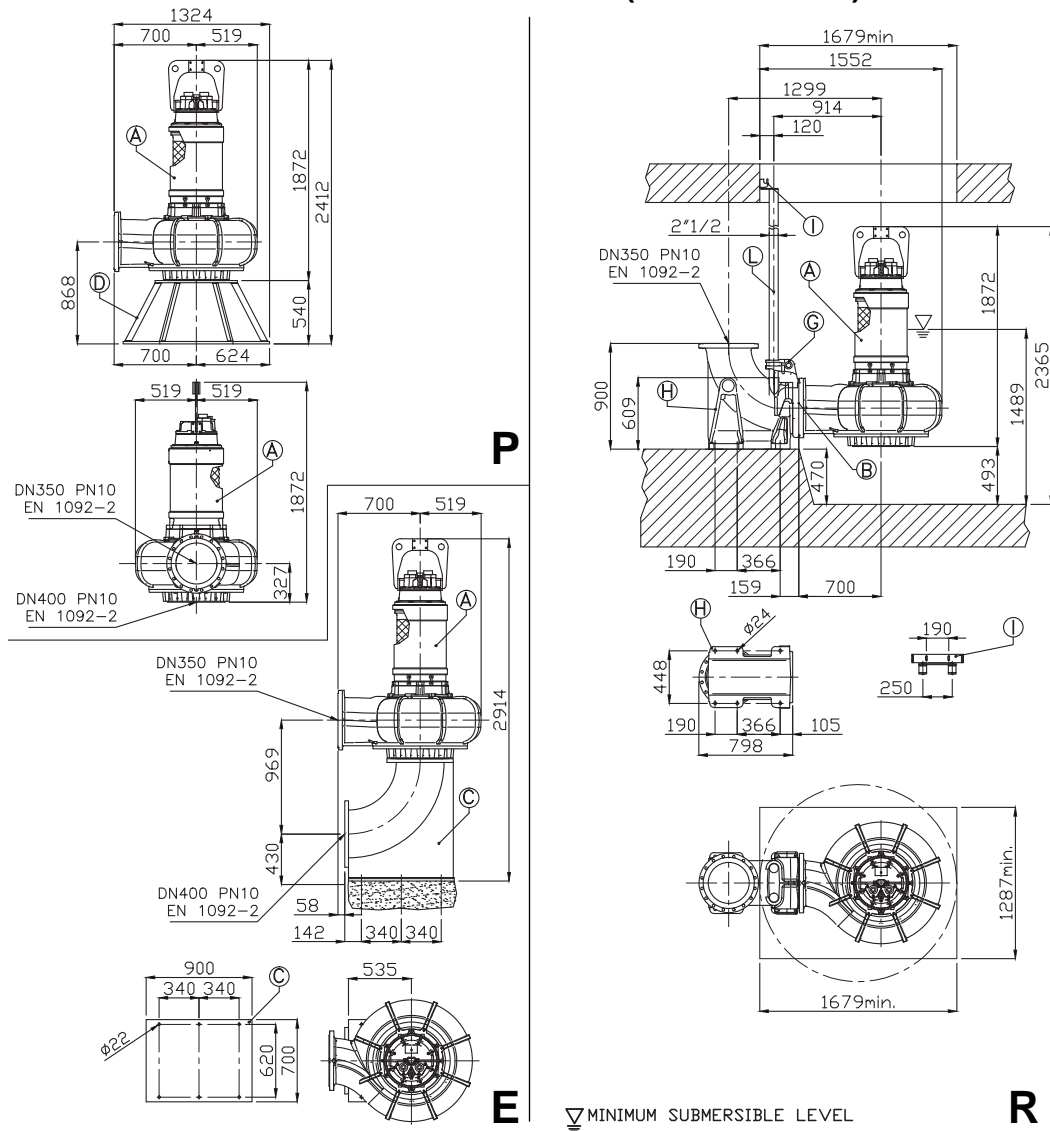
**300DRD/300DRD with QDC (55.8 ÷ 65.0 kW)**



| Size DA   | Model           | Output [kW] | Weight [kg] |
|-----------|-----------------|-------------|-------------|
| DN300     | 300DRD555.8T6BG | 55,8        | 1190        |
| EN 1092-2 | 300DRD565T6AG   | 65.0        | 1190        |

| Pos.    | Description                             | Material         | Weight Kg |
|---------|---|------------------|-----------|
| A       | Submersible Pump                        |                  | -         |
| B       | Rubber joint DN300                      | Neoprene         | -         |
| Type: E |   |                  |           |
| C       | Suction elbow 90°                       | Galvanized Steel | 200       |
| Type: P |   |                  |           |
| D       | X foot rest                             | Galvanized Steel | 135       |
| Type: R |   |                  |           |
| G       | Double guide rail coupling flange DN300 | GS250 Cast-Iron  | 40        |
| H       | Double guide coupling feet DN300        | G250 Cast-Iron   | 247       |
| I       | Double guide rail upper support 3"      | Galvanized Steel | 2.6       |
| L       | Guide rail 3"                           | Galvanized Steel | -         |

**350DRD/350DRD with QDC (40.0 ÷ 45.0 kW)**



| Size DA   | Model         | Output [kW] | Weight [kg] |
|-----------|---------------|-------------|-------------|
| DN350     | 350DRD540T8CG | 40.0        | 1350        |
| EN 1092-2 | 350DRD545T8AG | 45.0        | 1350        |

| Pos.    | Description                             | Material         | Weight Kg |
|---------|---|------------------|-----------|
| A       | Submersible Pump                        |                  | -         |
| B       | Rubber joint DN350                      | Neoprene         | -         |
| Type: E |   |                  |           |
| C       | Suction elbow 90°                       | Galvanized Steel | 210       |
| Type: P |   |                  |           |
| D       | X foot rest                             | Galvanized Steel | 135       |
| Type: R |   |                  |           |
| G       | Double guide rail coupling flange DN350 | GS250 Cast-Iron  | 86        |
| H       | Double guide coupling feet DN350        | G250 Cast-Iron   | 382       |
| I       | Double guide rail upper support 2" 1/2  | Galvanized Steel | 7         |
| L       | Guide rail 2" 1/2                       | Galvanized Steel | -         |



**DS, DVS (1.5÷3.7 kW) MOTOR DATA**

| Output [P <sub>2</sub> ] |                     | [kW]                 | 1.5                  |       |       | 2.2    |       |       | 3.7   |       |       |       |
|--------------------------|---------------------|----------------------|----------------------|-------|-------|--------|-------|-------|-------|-------|-------|-------|
| Resistance at 20° C      |                     | [Ω]                  | 11.973               |       |       | 4.942  |       |       | 2.647 |       |       |       |
| GD <sup>2</sup>          |                     | [kg·m <sup>2</sup> ] | 0.0057               |       |       | 0.0082 |       |       | 0.011 |       |       |       |
| Voltage                  |                     | [V]                  | 380                  | 400   | 415   | 380    | 400   | 415   | 380   | 400   | 415   |       |
| Load                     | 0%                  | Current              | [A]                  | 1.25  | 1.32  | 1.30   | 1.95  | 2.15  | 2.33  | 3.20  | 3.30  | 3.90  |
|                          |                     | Power                | [W]                  | 430   | 405   | 400    | 500   | 500   | 252   | 800   | 500   | 600   |
|                          | 75%                 | Current              | [A]                  | 2.92  | 2.62  | 2.61   | 4.07  | 4.06  | 3.82  | 7.07  | 6.32  | 6.45  |
|                          |                     | Efficiency           | [%]                  | 63.59 | 69.18 | 70.11  | 71.23 | 69.69 | 77.58 | 68.00 | 75.54 | 74.26 |
|                          |                     | Power factor         | [%]                  | 91.93 | 89.54 | 85.68  | 86.44 | 84.27 | 77.40 | 87.75 | 83.92 | 80.61 |
|                          |                     | Speed                | [min <sup>-1</sup> ] | 2872  | 2887  | 2898   | 2895  | 2901  | 2927  | 2890  | 2917  | 2922  |
|                          | 100%                | Current              | [A]                  | 3.70  | 3.30  | 3.30   | 5.10  | 5.00  | 4.60  | 8.80  | 7.80  | 7.80  |
|                          |                     | Efficiency           | [%]                  | 65.61 | 71.25 | 70.89  | 73.05 | 72.28 | 79.33 | 70.79 | 77.64 | 76.74 |
|                          |                     | Power factor         | [%]                  | 93.88 | 92.08 | 89.21  | 89.71 | 87.87 | 83.88 | 90.24 | 88.18 | 86.00 |
|                          |                     | Speed                | [min <sup>-1</sup> ] | 2821  | 2847  | 2854   | 2851  | 2864  | 2900  | 2847  | 2886  | 2890  |
|                          | Locked Rotor Torque |                      | [%]                  | 243   | 295   | 303    | 161   | 186   | 184   | 175   | 216   | 233   |
|                          | Start Current       |                      | [A]                  | 20.5  | 21.1  | 22.5   | 28.7  | 30.0  | 31.5  | 51.2  | 51.0  | 53.0  |
| No. starts per hour      |                     |                      | 10                   |       |       |        |       |       |       |       |       |       |
| Model                    |                     |                      | ZDSEU                |       |       |        |       |       |       |       |       |       |

**DS (5.5÷7.5 kW) MOTOR DATA**

|                          |                     |                      |                      |       |       |       |       |       |       |
|--------------------------|---------------------|----------------------|----------------------|-------|-------|-------|-------|-------|-------|
| Output [P <sub>2</sub> ] |                     | [kW]                 | 5.5                  |       |       | 7.5   |       |       |       |
| Resistance at 20° C      |                     | [Ω]                  | 2.001                |       |       | 1.345 |       |       |       |
| GD <sup>2</sup>          |                     | [kg·m <sup>2</sup> ] | 0.03                 |       |       | 0.037 |       |       |       |
| Voltage                  |                     | [V]                  | 380                  | 400   | 415   | 380   | 400   | 415   |       |
| Load                     | 0%                  | Current              | [A]                  | 3.00  | 2.70  | 2.70  | 3.65  | 3.20  | 3.27  |
|                          |                     | Power                | [W]                  | 340   | 800   | 340   | 400   | 800   | 400   |
|                          | 75%                 | Current              | [A]                  | 8.37  | 8.36  | 7.59  | 11.43 | 11.02 | 10.17 |
|                          |                     | Efficiency           | [%]                  | 82.89 | 77.34 | 83.68 | 83.36 | 79.51 | 84.44 |
|                          |                     | Power factor         | [%]                  | 90.37 | 92.05 | 90.40 | 89.70 | 92.68 | 91.14 |
|                          |                     | Speed                | [min <sup>-1</sup> ] | 2944  | 2932  | 2945  | 2941  | 2928  | 2942  |
|                          | 100%                | Current              | [A]                  | 10.80 | 10.80 | 9.80  | 14.80 | 14.30 | 13.20 |
|                          |                     | Efficiency           | [%]                  | 83.87 | 79.10 | 84.51 | 84.26 | 80.96 | 85.13 |
|                          |                     | Power factor         | [%]                  | 92.25 | 92.92 | 92.39 | 91.34 | 93.50 | 92.85 |
|                          |                     | Speed                | [min <sup>-1</sup> ] | 2922  | 2905  | 2923  | 2917  | 2900  | 2918  |
|                          | Locked Rotor Torque |                      | [%]                  | 168   | 155   | 168   | 159   | 154   | 159   |
|                          | Start Current       |                      | [A]                  | 77.0  | 70.0  | 70.0  | 105.0 | 93.5  | 94.0  |
| No. starts per hour      |                     |                      | 10                   |       |       |       |       |       |       |
| Model                    |                     |                      | ZDSEU                |       |       |       |       |       |       |

**DSF (1.1÷6.0 kW) MOTOR DATA**

|                          |                     |                      |                       |                       |                      |      |
|--------------------------|---------------------|----------------------|-----------------------|-----------------------|----------------------|------|
| Output [P <sub>2</sub> ] |                     | [kW]                 | 1.5                   | 1.9                   | 6                    |      |
| Resistance at 20° C      |                     | [Ω]                  | -                     | -                     | -                    |      |
| GD <sup>2</sup>          |                     | [kg·m <sup>2</sup> ] | 0.0021                | 0.0025                | 0.015                |      |
| Voltage                  |                     | [V]                  | 230                   | 230                   | 400/690              |      |
| Load                     | 0%                  | Current              | [A]                   | -                     | -                    | -    |
|                          |                     | Power                | [W]                   | -                     | -                    | -    |
|                          | 75%                 | Current              | [A]                   | -                     | -                    | -    |
|                          |                     | Efficiency           | [%]                   | 72                    | 80                   | 73   |
|                          |                     | Power factor         | [-]                   | 0.97                  | 0.97                 | 0.84 |
|                          |                     | Speed                | [min <sup>-1</sup> ]  | -                     | -                    | -    |
|                          | 100%                | Current              | [A]                   | -                     | -                    | -    |
|                          |                     | Efficiency           | [%]                   | 73                    | 73                   | 90   |
|                          |                     | Power factor         | [-]                   | 0.99                  | 0.99                 | 0.88 |
|                          |                     | Speed                | [min <sup>-1</sup> ]  | -                     | -                    | -    |
|                          | Locked Rotor Torque |                      | [%]                   | -                     | -                    | -    |
|                          | Start Current       |                      | [A]                   | 33.3                  | 35                   | 64.3 |
| Phase                    |                     |                      | 1                     |                       | 3                    |      |
| No. starts per hour      |                     |                      | 15                    |                       |                      |      |
| Motor Model              |                     |                      | M271M-1.5-230/50NY-IE | M271M-1.9-230/50NY-IE | M210T-6-400/50YY-IE3 |      |
| Pump Type                |                     |                      | 40DSF51.5M2CG         | 40DSF51.9M2AG         | 40DSF56T2AG          |      |

**DL, DL W/C (1.5÷3.7 kW) MOTOR DATA**

|                          |                     |                      |                      |       |       |       |       |       |       |       |       |       |
|--------------------------|---------------------|----------------------|----------------------|-------|-------|-------|-------|-------|-------|-------|-------|-------|
| Output [P <sub>2</sub> ] |                     | [kW]                 | 1.5                  |       |       | 2.2   |       |       | 3.7   |       |       |       |
| Resistance at 20° C      |                     | [Ω]                  | 8.466                |       |       | 5.937 |       |       | 3.447 |       |       |       |
| GD <sup>2</sup>          |                     | [kg·m <sup>2</sup> ] | 0.013                |       |       | 0.025 |       |       | 0.04  |       |       |       |
| Voltage                  |                     | [V]                  | 380                  | 400   | 415   | 380   | 400   | 415   | 380   | 400   | 415   |       |
| Load                     | 0%                  | Current              | [A]                  | 2.3   | 2.51  | 2,746 | 2.65  | 2.85  | 3.2   | 3.5   | 3.65  | 3.9   |
|                          |                     | Power                | [W]                  | 500   | 420   | 546   | 650   | 450   | 420   | 650   | 800   | 450   |
|                          | 75%                 | Current              | [A]                  | 3.47  | 3.37  | 3.56  | 4.65  | 4.34  | 4.46  | 6.70  | 6.73  | 6.25  |
|                          |                     | Efficiency           | [%]                  | 62.67 | 70.31 | 62.99 | 63.89 | 69.75 | 69.23 | 73.21 | 69.72 | 76.38 |
|                          |                     | Power factor         | [%]                  | 78.70 | 68.43 | 69.87 | 84.32 | 78.63 | 74.40 | 85.95 | 85.37 | 80.93 |
|                          |                     | Speed                | [min <sup>-1</sup> ] | 1438  | 1449  | 1446  | 1440  | 1452  | 1458  | 1447  | 1449  | 1455  |
|                          | 100%                | Current              | [A]                  | 4.10  | 3.90  | 4.10  | 5.70  | 5.20  | 5.20  | 8.40  | 8.30  | 7.60  |
|                          |                     | Efficiency           | [%]                  | 65.69 | 72.58 | 65.73 | 66.44 | 72.31 | 71.82 | 74.67 | 72.09 | 77.98 |
|                          |                     | Power factor         | [%]                  | 84.62 | 76.54 | 77.83 | 88.26 | 84.45 | 81.96 | 89.62 | 89.25 | 86.85 |
|                          |                     | Speed                | [min <sup>-1</sup> ] | 1414  | 1432  | 1426  | 1417  | 1437  | 1443  | 1427  | 1430  | 1440  |
|                          | Locked Rotor Torque |                      | [%]                  | 319   | 378   | 385   | 216   | 277   | 301   | 229   | 275   | 296   |
|                          | Start Current       |                      | [A]                  | 23.70 | 24.50 | 23.60 | 29.30 | 30.00 | 32.00 | 49.40 | 47.50 | 49.00 |
| No. starts per hour      |                     |                      | 10                   |       |       |       |       |       |       |       |       |       |
| Model                    |                     |                      | ZDLEU                |       |       |       |       |       |       |       |       |       |

**DL (5.5÷11 kW), DL W/C (5.5÷7.5 kW) MOTOR DATA**

| Output [P <sub>2</sub> ] |                     | [kW]                 | 5.5                  |       |       | 7.5   |        |        | 11     |       |       |       |
|--------------------------|---------------------|----------------------|----------------------|-------|-------|-------|--------|--------|--------|-------|-------|-------|
| Resistance at 20° C      |                     | [Ω]                  | 2,339                |       |       | 1,513 |        |        | -      | 0.869 |       |       |
| GD <sup>2</sup>          |                     | [kg·m <sup>2</sup> ] | 0.061                |       |       | 0.071 |        |        | 0.12   |       |       |       |
| Voltage                  |                     | [V]                  | 380                  | 400   | 415   | 380   | 400    | 415    | 380    | 400   | 415   |       |
| Load                     | 0%                  | Current              | [A]                  | 4.9   | 4.3   | 4.5   | 7.85   | 6.5    | 7.1    | -     | 7.80  | 8.60  |
|                          |                     | Power                | [W]                  | 470   | 900   | 470   | 707    | 1200   | 707    | -     | 1500  | 790   |
|                          | 75%                 | Current              | [A]                  | 9.38  | 8.97  | 8.58  | 13.38  | 12.46  | 12.07  | -     | 17.03 | 16.81 |
|                          |                     | Efficiency           | [%]                  | 79.17 | 75.51 | 79.10 | 79.46  | 76.94  | 79.81  | -     | 80.39 | 81.35 |
|                          |                     | Power factor         | [%]                  | 84.39 | 87.90 | 84.53 | 80.38  | 84.72  | 81.25  | -     | 86.98 | 83.95 |
|                          |                     | Speed                | [min <sup>-1</sup> ] | 1464  | 1458  | 1464  | 1467   | 1463   | 1467   | -     | 1468  | 1470  |
|                          | 100%                | Current              | [A]                  | 11.70 | 11.30 | 10.70 | 16.40  | 15.50  | 14.80  | -     | 21.50 | 21.00 |
|                          |                     | Efficiency           | [%]                  | 80.42 | 77.14 | 80.38 | 80.98  | 78.64  | 81.26  | -     | 82.12 | 82.29 |
|                          |                     | Power factor         | [%]                  | 88.83 | 91.07 | 88.97 | 85.80  | 88.81  | 86.76  | -     | 89.92 | 88.56 |
|                          |                     | Speed                | [min <sup>-1</sup> ] | 1451  | 1442  | 1451  | 1455   | 1449   | 1455   | -     | 1456  | 1458  |
|                          | Locked Rotor Torque |                      | [%]                  | 271   | 249   | 271   | 288    | 272    | 288    | -     | 185   | 155   |
|                          | Start Current       |                      | [A]                  | 81.00 | 70.00 | 74.00 | 120.00 | 104.00 | 108.00 | -     | 121.0 | 128.0 |
| No. starts per hour      |                     |                      | 10                   |       |       |       |        |        | 6      |       |       |       |
| Model                    |                     |                      | ZDLEU                |       |       |       |        |        |        |       |       |       |

**DL (15÷22 kW) MOTOR DATA**

| Output [P <sub>2</sub> ] |                     | [kW]                 | 15                   |       |       | 18.5  |       |       | 22    |       |       |       |
|--------------------------|---------------------|----------------------|----------------------|-------|-------|-------|-------|-------|-------|-------|-------|-------|
| Resistance at 20° C      |                     | [Ω]                  | -                    | 0.677 |       | -     | 0.439 |       | -     | 0.376 |       |       |
| GD <sup>2</sup>          |                     | [kg·m <sup>2</sup> ] | 0.15                 |       |       | 0.25  |       |       | 0.28  |       |       |       |
| Voltage                  |                     | [V]                  | 380                  | 400   | 415   | 380   | 400   | 415   | 380   | 400   | 415   |       |
| Load                     | 0%                  | Current              | [A]                  | -     | 8.50  | 8.85  | -     | 12.80 | 15.10 | -     | 12.50 | 13.50 |
|                          |                     | Power                | [W]                  | -     | 1600  | 880   | -     | 2000  | 1300  | -     | 2000  | 965   |
|                          | 75%                 | Current              | [A]                  | -     | 22.13 | 21.11 | -     | 27.76 | 27.38 | -     | 32.73 | 31.37 |
|                          |                     | Efficiency           | [%]                  | -     | 81.59 | 84.15 | -     | 84.25 | 85.39 | -     | 82.74 | 85.54 |
|                          |                     | Power factor         | [%]                  | -     | 89.91 | 88.12 | -     | 85.61 | 82.55 | -     | 87.94 | 85.56 |
|                          |                     | Speed                | [min <sup>-1</sup> ] | -     | 1464  | 1464  | -     | 1477  | 1480  | -     | 1471  | 1473  |
|                          | 100%                | Current              | [A]                  | -     | 28.50 | 27.00 | -     | 35.00 | 34.00 | -     | 42.00 | 40.00 |
|                          |                     | Efficiency           | [%]                  | -     | 82.79 | 84.99 | -     | 85.77 | 86.79 | -     | 84.17 | 86.11 |
|                          |                     | Power factor         | [%]                  | -     | 91.76 | 90.93 | -     | 88.95 | 87.23 | -     | 89.82 | 88.86 |
|                          |                     | Speed                | [min <sup>-1</sup> ] | -     | 1450  | 1451  | -     | 1469  | 1472  | -     | 1460  | 1463  |
|                          | Locked Rotor Torque |                      | [%]                  | -     | 171   | 182   | -     | 171   | 185   | -     | 155   | 169   |
|                          | Start Current       |                      | [A]                  | -     | 160.0 | 167.0 | -     | 238.0 | 248.0 | -     | 265.0 | 265.0 |
| No. starts per hour      |                     |                      | 6                    |       |       |       |       |       |       |       |       |       |
| Model                    |                     |                      | ZDLEU                |       |       |       |       |       |       |       |       |       |

**DL (30÷45 kW) MOTOR DATA**

| Output [P <sub>2</sub> ] |                     | [kW]                 | 30                   |        |        | 37     |        |        | 45     |        |        |        |
|--------------------------|---------------------|----------------------|----------------------|--------|--------|--------|--------|--------|--------|--------|--------|--------|
| Resistance at 20° C      |                     | [Ω]                  | 0.236                |        |        | 0.152  |        |        | 0.117  |        |        |        |
| GD <sup>2</sup>          |                     | [kg·m <sup>2</sup> ] | 0.72                 |        |        | 1.11   |        |        | 1.32   |        |        |        |
| Voltage                  |                     | [V]                  | 380                  | 400    | 415    | 380    | 400    | 415    | 380    | 400    | 415    |        |
| Load                     | 0%                  | Current              | [A]                  | 20     | 23.7   | 27.3   | 25.4   | 31.4   | 36.3   | 29.7   | 36.2   | 41.9   |
|                          |                     | Power                | [W]                  | 925    | 1104   | 1332   | 1116   | 1584   | 1956   | 1320   | 1752   | 2172   |
|                          | 75%                 | Current              | [A]                  | 45.69  | 45.96  | 47.48  | 56.47  | 58.11  | 60.14  | 68.59  | 70.07  | 72.18  |
|                          |                     | Efficiency           | [%]                  | 89.77  | 89.48  | 87.78  | 91.33  | 90.25  | 89.33  | 90.25  | 88.93  | 88.13  |
|                          |                     | Power factor         | [%]                  | 83.35  | 78.97  | 75.10  | 81.75  | 76.38  | 71.87  | 82.84  | 78.17  | 73.81  |
|                          |                     | Speed                | [min <sup>-1</sup> ] | 1462   | 1464   | 1466   | 1479   | 1480   | 1481   | 1476   | 1478   | 1479   |
|                          | 100%                | Current              | [A]                  | 59.00  | 58.00  | 58.50  | 72.50  | 72.50  | 73.50  | 88.00  | 87.50  | 88.50  |
|                          |                     | Efficiency           | [%]                  | 89.28  | 89.39  | 88.21  | 91.57  | 90.89  | 90.29  | 90.63  | 89.83  | 89.28  |
|                          |                     | Power factor         | [%]                  | 86.41  | 83.45  | 80.60  | 84.64  | 80.95  | 77.56  | 85.56  | 82.33  | 79.12  |
|                          |                     | Speed                | [min <sup>-1</sup> ] | 1447   | 1451   | 1453   | 1470   | 1472   | 1473   | 1467   | 1470   | 1471   |
|                          | Locked Rotor Torque |                      | [%]                  | 245    | 272    | 294    | 154    | 171    | 184    | 156    | 173    | 186    |
|                          | Start Current       |                      | [A]                  | 356.50 | 377.40 | 393.20 | 390.70 | 413.90 | 431.30 | 497.80 | 527.40 | 549.70 |
| No. starts per hour      |                     |                      | 6                    |        |        |        |        |        |        |        |        |        |
| Model                    |                     |                      | ZDLEU                |        |        |        |        |        |        |        |        |        |

**DML, DMLV (2.2÷3.7 kW) MOTOR DATA**

| Output [P <sub>2</sub> ] |                     | [kW]                 | <b>2.2</b>           |       |       | <b>3.7</b> |       |       |       |
|--------------------------|---------------------|----------------------|----------------------|-------|-------|------------|-------|-------|-------|
| Resistance at 20° C      |                     | [Ω]                  | 7.015                |       |       | 3.623      |       |       |       |
| GD <sup>2</sup>          |                     | [kg·m <sup>2</sup> ] | 0.02                 |       |       | 0.03       |       |       |       |
| Voltage                  |                     | [V]                  | 380                  | 400   | 415   | 380        | 400   | 415   |       |
| Load                     | 0%                  | Current              | [A]                  | 2.13  | 2.52  | 2.81       | 3.29  | 3.88  | 4.45  |
|                          |                     | Power                | [W]                  | 450   | 480   | 580        | 620   | 780   | 840   |
|                          | 75%                 | Current              | [A]                  | 4.33  | 4.21  | 4.32       | 6.79  | 6.77  | 6.95  |
|                          |                     | Efficiency           | [%]                  | 67.11 | 68.45 | 67.13      | 72.12 | 71.40 | 69.56 |
|                          |                     | Power factor         | [%]                  | 86.20 | 82.63 | 79.22      | 86.08 | 82.84 | 79.82 |
|                          | 100%                | Speed                | [min <sup>-1</sup> ] | 1428  | 1437  | 1442       | 1439  | 1443  | 1447  |
|                          |                     | Current              | [A]                  | 5.50  | 5.20  | 5.20       | 8.60  | 8.40  | 8.40  |
|                          |                     | Efficiency           | [%]                  | 67.56 | 69.50 | 68.98      | 72.79 | 72.71 | 71.61 |
|                          |                     | Power factor         | [%]                  | 89.53 | 87.56 | 85.08      | 89.58 | 87.44 | 85.44 |
|                          | Speed               |                      | [min <sup>-1</sup> ] | 1400  | 1411  | 1421       | 1416  | 1422  | 1428  |
|                          | Locked Rotor Torque |                      | [%]                  | 182   | 204   | 221        | 203   | 226   | 244   |
|                          | Start Current       |                      | [A]                  | 24.30 | 25.70 | 26.70      | 45.50 | 48.10 | 50.00 |
| No. starts per hour      |                     |                      | 10                   |       |       |            |       |       |       |
| Model                    |                     |                      | ZDMEU                |       |       |            |       |       |       |



**DML, DMLV (5.5÷11 kW) MOTOR DATA**

| Output [P <sub>2</sub> ] |                     | [kW]                 | 5.5                  |       |       | 7.5   |        |        | 11     |        |        |        |
|--------------------------|---------------------|----------------------|----------------------|-------|-------|-------|--------|--------|--------|--------|--------|--------|
| Resistance at 20° C      |                     | [Ω]                  | 1.920                |       |       | 1.326 |        |        | 0.862  |        |        |        |
| GD <sup>2</sup>          |                     | [kg·m <sup>2</sup> ] | 0.059                |       |       | 0.076 |        |        | 0.120  |        |        |        |
| Voltage                  |                     | [V]                  | 380                  | 400   | 415   | 380   | 400    | 415    | 380    | 400    | 415    |        |
| Load                     | 0%                  | Current              | [A]                  | 5.56  | 6.67  | 7.64  | 6.93   | 8.41   | 9.70   | 8.49   | 10.15  | 11.85  |
|                          |                     | Power                | [W]                  | 900   | 1200  | 1330  | 1200   | 1300   | 1600   | 1100   | 1450   | 1800   |
|                          | 75%                 | Current              | [A]                  | 10.30 | 10.51 | 10.83 | 13.65  | 14.06  | 14.48  | 18.26  | 19.27  | 19.66  |
|                          |                     | Efficiency           | [%]                  | 73.72 | 72.26 | 71.38 | 75.24  | 76.86  | 71.60  | 81.12  | 75.49  | 74.70  |
|                          |                     | Power factor         | [%]                  | 82.50 | 78.43 | 74.23 | 83.20  | 75.16  | 75.46  | 84.63  | 81.87  | 78.15  |
|                          |                     | Speed                | [min <sup>-1</sup> ] | 1454  | 1456  | 1460  | 1461   | 1460   | 1466   | 1462   | 1461   | 1465   |
|                          | 100%                | Current              | [A]                  | 12.70 | 12.60 | 12.70 | 16.90  | 16.90  | 17.10  | 23.50  | 23.80  | 23.80  |
|                          |                     | Efficiency           | [%]                  | 75.37 | 74.50 | 74.06 | 76.89  | 79.01  | 74.60  | 81.65  | 77.41  | 77.06  |
|                          |                     | Power factor         | [%]                  | 87.04 | 84.27 | 81.03 | 87.39  | 80.89  | 81.76  | 87.68  | 85.82  | 83.31  |
|                          |                     | Speed                | [min <sup>-1</sup> ] | 1437  | 1440  | 1445  | 1445   | 1447   | 1455   | 1447   | 1446   | 1451   |
|                          | Locked Rotor Torque |                      | [%]                  | 227   | 252   | 272   | 231    | 256    | 278    | 154    | 170    | 184    |
|                          | Start Current       |                      | [A]                  | 78.00 | 82.60 | 87.80 | 110.20 | 116.50 | 121.70 | 128.20 | 136.00 | 141.90 |
| No. starts per hour      |                     |                      | 10                   |       |       |       |        |        | 7      |        |        |        |
| Model                    |                     |                      | ZDMEU                |       |       |       |        |        |        |        |        |        |

**DML/DMLV (15÷22 kW) MOTOR DATA**

| Output [P <sub>2</sub> ] |                     | [kW]                 | 15                   |        |        | 22     |        |        |        |
|--------------------------|---------------------|----------------------|----------------------|--------|--------|--------|--------|--------|--------|
| Resistance at 20° C      |                     | [Ω]                  | 0.563                |        |        | 0.308  |        |        |        |
| GD <sup>2</sup>          |                     | [kg·m <sup>2</sup> ] | 0.16                 |        |        | 0.34   |        |        |        |
| Voltage                  |                     | [V]                  | 380                  | 400    | 415    | 380    | 400    | 415    |        |
| Load                     | 0%                  | Current              | [A]                  | 10.8   | 13.13  | 15.08  | 13.37  | 16.27  | 18.82  |
|                          |                     | Power                | [W]                  | 1220   | 1650   | 2000   | 1500   | 2000   | 2100   |
|                          | 75%                 | Current              | [A]                  | 24.86  | 25.03  | 25.59  | 33.90  | 33.38  | 34.04  |
|                          |                     | Efficiency           | [%]                  | 79.66  | 78.43  | 77.65  | 84.98  | 85.54  | 83.88  |
|                          |                     | Power factor         | [%]                  | 86.32  | 82.71  | 78.78  | 87.01  | 83.40  | 80.41  |
|                          |                     | Speed                | [min <sup>-1</sup> ] | 1465   | 1464   | 1467   | 1473   | 1475   | 1474   |
|                          | 100%                | Current              | [A]                  | 31.50  | 31.00  | 31.00  | 43.50  | 42.00  | 42.00  |
|                          |                     | Efficiency           | [%]                  | 80.84  | 80.23  | 79.78  | 85.80  | 86.52  | 85.34  |
|                          |                     | Power factor         | [%]                  | 89.13  | 86.77  | 84.16  | 89.33  | 87.27  | 85.16  |
|                          |                     | Speed                | [min <sup>-1</sup> ] | 1449   | 1451   | 1455   | 1462   | 1466   | 1466   |
|                          | Locked Rotor Torque |                      | [%]                  | 176    | 195    | 211    | 155    | 172    | 185    |
|                          | Start Current       |                      | [A]                  | 199.80 | 211.90 | 220.90 | 299.80 | 318.50 | 332.70 |
| No. starts per hour      |                     |                      | 7                    |        |        |        |        |        |        |
| Model                    |                     |                      | ZDMEU                |        |        |        |        |        |        |

**DMLF (1.4÷1.9 kW) MOTOR DATA**

|                          |                     |                      |                       |                       |                       |      |
|--------------------------|---------------------|----------------------|-----------------------|-----------------------|-----------------------|------|
| Output [P <sub>2</sub> ] |                     | [kW]                 | 1.4                   | 1.5                   | 1.9                   |      |
| Resistance at 20° C      |                     | [Ω]                  | -                     | -                     | -                     |      |
| GD <sup>2</sup>          |                     | [kg·m <sup>2</sup> ] | 0.0011                | 0.0039                | 0.0078                |      |
| Voltage                  |                     | [V]                  | 230                   | 230                   | 230                   |      |
| Load                     | 0%                  | Current              | [A]                   | -                     | -                     | -    |
|                          |                     | Power                | [W]                   | -                     | -                     | -    |
|                          | 75%                 | Current              | [A]                   | -                     | -                     | -    |
|                          |                     | Efficiency           | [%]                   | 72                    | 72                    | 73   |
|                          |                     | Power factor         | [-]                   | 0.97                  | 0.97                  | 0.97 |
|                          |                     | Speed                | [min <sup>-1</sup> ]  | -                     | -                     | -    |
|                          | 100%                | Current              | [A]                   | -                     | -                     | -    |
|                          |                     | Efficiency           | [%]                   | 73                    | 73                    | 73   |
|                          |                     | Power factor         | [-]                   | 0.99                  | 0.99                  | 0.99 |
|                          |                     | Speed                | [min <sup>-1</sup> ]  | -                     | -                     | -    |
|                          | Locked Rotor Torque |                      | [%]                   | -                     | -                     | -    |
|                          | Start Current       |                      | [A]                   | 31.1                  | 33.3                  | 62.7 |
| Poles                    |                     |                      | 2                     |                       |                       |      |
| Phase                    |                     |                      | 1                     |                       |                       |      |
| No. starts per hour      |                     |                      | 15                    |                       |                       |      |
| Motor Model              |                     |                      | M272M-1.4-230/50NY-IE | M272M-1.5-230/50NY-IE | M272M-1.9-230/50NY-IE |      |
| Pump Type                |                     |                      | 50DMLF51.4M2BG        | 65DMLF51.5M2AG        | 65DMLF51.9M2BG        |      |

**DMLVF (0.5÷18.2 kW) MOTOR DATA**

|                          |                      |                      |                       |                       |                 |                       |                       |                        |                         |                         |                        |      |
|--------------------------|----------------------|----------------------|-----------------------|-----------------------|-----------------|-----------------------|-----------------------|------------------------|-------------------------|-------------------------|------------------------|------|
| Output [P <sub>2</sub> ] |                      | [kW]                 | 0.5                   | 1.5                   | 1.5             | 1.9                   | 1.5                   | 4.9                    | 16.6                    | 18.2                    | 5.2                    |      |
| Resistance at 20° C      |                      | [Ω]                  | -                     | -                     | -               | -                     | -                     | -                      | -                       | -                       | -                      |      |
| GD <sup>2</sup>          |                      | [kg·m <sup>2</sup> ] | 0.0006                | 0.0052                | 0.0056          | 0.0066                | 0.0005                | 0.0438                 | 0.0586                  | 0.051                   | 0.1331                 |      |
| Voltage                  |                      | [V]                  | 230                   | 230                   | 230             | 230                   | 230                   | 400/690                | 400/690                 | 400/690                 | 400/690                |      |
| Load                     | 0%                   | Current              | [A]                   | -                     | -               | -                     | -                     | -                      | -                       | -                       | -                      |      |
|                          |                      | Power                | [W]                   | -                     | -               | -                     | -                     | -                      | -                       | -                       | -                      |      |
|                          |                      | Current              | [A]                   | -                     | -               | -                     | -                     | -                      | -                       | -                       | -                      |      |
|                          | 75%                  | Efficiency           | [%]                   | 67                    | 72              | 72                    | 73                    | 72                     | 74                      | 92                      | 92                     | 88   |
|                          |                      | Power factor         | [-]                   | 0.96                  | 0.97            | 0.97                  | 0.97                  | 0.97                   | 0.9                     | 0.82                    | 0.82                   | 0.73 |
|                          |                      | Speed                | [min <sup>-1</sup> ]  | -                     | -               | -                     | -                     | -                      | -                       | -                       | -                      | -    |
|                          | 100%                 | Current              | [A]                   | -                     | -               | -                     | -                     | -                      | -                       | -                       | -                      | -    |
|                          |                      | Efficiency           | [%]                   | 70                    | 73              | 73                    | 73                    | 73                     | 0.8                     | 92                      | 93                     | 89   |
|                          |                      | Power factor         | [-]                   | 0.98                  | 0.99            | 0.99                  | 0.99                  | 0.99                   | 0.9                     | 0.87                    | 0.87                   | 0.81 |
| Speed                    | [min <sup>-1</sup> ] | -                    | -                     | -                     | -               | -                     | -                     | -                      | -                       | -                       |                        |      |
| Locked Rotor Torque      |                      | [%]                  | -                     | -                     | -               | -                     | -                     | -                      | -                       | -                       | -                      |      |
| Start Current            |                      | [A]                  | 3.2                   | 33.3                  | 33.3            | 62.7                  | 33.3                  | 49.5                   | 175.8                   | 192.3                   | 61.4                   |      |
| Poles                    |                      |                      | 2                     |                       |                 |                       | 4                     |                        | 2                       |                         | 6                      |      |
| Phase                    |                      |                      | 1                     |                       |                 |                       | 3                     |                        |                         |                         |                        |      |
| No. starts per hour      |                      |                      | 15                    |                       |                 |                       |                       |                        |                         |                         |                        |      |
| Motor Model              |                      |                      | M206M-0.5-230/50NY-IE | M271M-1.5-230/50NY-IE |                 | M271M-1.9-230/50NY-IE | M271M-1.5-230/50NY-IE | M410T-4.9-400/50YY-IE3 | M213T-16.6-400/50YY-IE3 | M213T-18.2-400/50YY-IE3 | M611T-5.2-400/50YY-IE3 |      |
| Pump Type                |                      |                      | 40DMLVF50.5M2AG       | 50DMLVF51.5M2CG       | 50DMLVF51.5M2BG | 50DMLVF51.9M2AG       | 65DMLVF51.5M2CG       | 80DMLVF54.9T4AG        | 80DMLVF516.6T2BG        | 80DMLVF518.2T2DG        | 100DMLVF55.2T6BG       |      |

# SUBMERSIBLE PUMPS

# D SERIES

## MOTOR DATA

50 Hz

Rev. E

### DRS (1.1÷25.1- kW) MOTOR DATA

| Output [P <sub>2</sub> ] |       | [kW]                 | 1.1  | 1.1    | 1.1    | 1.1    | 1.5    | 1.9    | 1.1    | 1.1    | 1.4    | 1.6    | 1.6    | 2.4    | 3.1*   | 4.2     | 5.0     | 5.0     | 6.5     | 7.5     | 9.0     | 11.0    | 13.8*   | 14.9    | 20      | 22.4    | 25.1    |      |    |
|--------------------------|-------|----------------------|--|--------|--------|--------|--------|--------|--------|--------|--------|--------|--------|--------|--------|---------|---------|---------|---------|---------|---------|---------|---------|---------|---------|---------|---------|------|----|
| Resistance at 20° C      |       | [Ω]                  | -  | -      | -      | -      | -      | -      | -      | -      | -      | -      | -      | -      | -      | -       | -       | -       | -       | -       | -       | -       | -       | -       | -       | -       | -       |      |    |
| GD <sup>2</sup>          |       | [kg·m <sup>2</sup> ] | 0.0019   | 0.0020 | 0.0021 | 0.0005 | 0.0021 | 0.0025 | 0.0028 | 0.0027 | 0.0035 | 0.0034 | 0.0035 | 0.0050 | 0.0042 | 0.0055  | 0.0090  | 0.0150  | 0.0090  | 0.0170  | 0.0170  | 0.0230  | 0.0430  | 0.0430  | 0.0510  | 0.0890  | 0.0890  |      |    |
| Voltage                  |       | [V]                  | 230  | 230    | 230    | 230    | 230    | 230    | 400    | 400    | 400    | 400    | 400    | 400    | 400    | 400/690 | 400/690 | 400/690 | 400/690 | 400/690 | 400/690 | 400/690 | 400/690 | 400/690 | 400/690 | 400/690 | 400/690 |      |    |
| Load                     | 0%    | Current              | -  | -      | -      | -      | -      | -      | -      | -      | -      | -      | -      | -      | -      | -       | -       | -       | -       | -       | -       | -       | -       | -       | -       | -       | -       | -    |    |
|                          |       | Power                | -  | -      | -      | -      | -      | -      | -      | -      | -      | -      | -      | -      | -      | -       | -       | -       | -       | -       | -       | -       | -       | -       | -       | -       | -       | -    | -  |
|                          | 75%   | Current              | -  | -      | -      | -      | -      | -      | -      | -      | -      | -      | -      | -      | -      | -       | -       | -       | -       | -       | -       | -       | -       | -       | -       | -       | -       | -    | -  |
|                          |       | Efficiency           | [%]  | 72     | 72     | 72     | 72     | 73     | 76     | 76     | 84     | 84     | 84     | 86     | 87     | 88      | 88      | 89      | 89      | 89      | 90      | 90      | 91      | 92      | 92      | 92      | 92      | 92   | 93 |
|                          |       | Power fact.          | [%]  | 0.97   | 0.97   | 0.97   | 0.97   | 0.97   | 0.83   | 0.83   | 0.82   | 0.82   | 0.82   | 0.82   | 0.82   | 0.86    | 0.84    | 0.84    | 0.84    | 0.84    | 0.84    | 0.84    | 0.82    | 0.82    | 0.82    | 0.82    | 0.87    | 0.87 |    |
|                          | Speed | [min <sup>-1</sup> ] | -  | -      | -      | -      | -      | -      | -      | -      | -      | -      | -      | -      | -      | -       | -       | -       | -       | -       | -       | -       | -       | -       | -       | -       | -       | -    |    |
|                          | 100%  | Current              | [A]  | -      | -      | -      | -      | -      | -      | -      | -      | -      | -      | -      | -      | -       | -       | -       | -       | -       | -       | -       | -       | -       | -       | -       | -       | -    |    |
|                          |       | Efficiency           | [%]  | 73     | 73     | 73     | 73     | 73     | 84     | 84     | 86     | 86     | 86     | 87     | 88     | 89      | 90      | 90      | 90      | 91      | 91      | 92      | 92      | 92      | 92      | 93      | 93      | 93   |    |
|                          |       | Power fact.          | [%]  | 0.99   | 0.99   | 0.99   | 0.99   | 0.99   | 0.8    | 0.8    | 0.87   | 0.87   | 0.87   | 0.87   | 0.89   | 0.88    | 0.88    | 0.88    | 0.88    | 0.88    | 0.88    | 0.88    | 0.87    | 0.87    | 0.87    | 0.87    | 0.89    | 0.89 |    |
|                          | Speed | [min <sup>-1</sup> ] | -  | -      | -      | -      | -      | -      | -      | -      | -      | -      | -      | -      | -      | -       | -       | -       | -       | -       | -       | -       | -       | -       | -       | -       | -       | -    |    |
| Locked Rotor Torque      |       | [%]                  | -  | -      | -      | -      | -      | -      | -      | -      | -      | -      | -      | -      | -      | -       | -       | -       | -       | -       | -       | -       | -       | -       | -       | -       | -       |      |    |
| Start Current            |       | [A]                  | 24.4   | 21     | 35     | 35     | 42.8   | 124.2  | 148.5  | 193.8  | 283.2  | 384.4  | 384.4  | 384.4  | 384.4  | 384.4   | 384.4   | 384.4   | 384.4   | 384.4   | 384.4   | 384.4   | 384.4   | 384.4   | 384.4   | 384.4   | 384.4   |      |    |
| Poles                    |       |                      | 2  |        |        |        |        |        |        |        |        |        |        |        |        |         |         |         |         |         |         |         |         |         |         |         |         |      |    |
| Phase                    |       |                      | 3  |        |        |        |        |        |        |        |        |        |        |        |        |         |         |         |         |         |         |         |         |         |         |         |         |      |    |
| No. starts per hour      |       |                      | 15   |        |        |        |        |        |        |        |        |        |        |        |        |         |         |         |         |         |         |         |         |         |         |         |         |      |    |
| Motor Model              |       |                      | M272M-1.1-230/50N-Y-IE<br>M271M-1.1-230/50N-Y-IE<br>M271M-1.5-230/50N-Y-IE<br>M271M-1.9-230/50N-Y-IE<br>M272T-1.1-400/50N-IE3<br>M272T-1.4-400/50N-IE3<br>M271T-1.6-400/50N-IE3<br>M271T-2.4-400/50N-IE3<br>M209T-3.1-400/50N-IE3<br>M210T-4.2-400/50Y-IE3<br>M210T-5.0-400/50Y-IE3<br>M211T-6.5-400/50Y-IE3<br>M211T-7.5-400/50Y-IE3<br>M213T-9-400/50Y-IE3<br>M213T-11-400/50Y-IE3<br>M213T-13.8-400/50Y-IE3<br>M213T-14.9-400/50Y-IE3<br>M216T-20-400/50Y-IE3<br>M216T-22.4-400/50Y-IE3<br>M216T-25.1-400/50Y-IE3 |        |        |        |        |        |        |        |        |        |        |        |        |         |         |         |         |         |         |         |         |         |         |         |         |      |    |
| Pump Type                |       |                      | 40DRS1.1M2CG<br>40DRS51.1M2BG<br>40DRS51.1M2AG<br>40DRS51.2M2CG<br>40DRS51.5M2BG<br>40DRS51.9M2AG<br>40DRS51.1T2CG<br>40DRS51.1T2BG<br>40DRS51.1T2AG<br>40DRS51.4T2AG<br>40DRS51.6T2CG<br>40DRS51.6T2BG<br>40DRS51.6T2AG<br>40DRS52.4T2AG<br>40DRS53.1T2BG<br>40DRS53.1T2AG<br>40DRS54.2T2CG<br>40DRS55.5T2CG<br>40DRS55.5T2AG<br>60DRS56.5T2CG<br>60DRS57.4T2BG<br>60DRS59.7ZDG<br>60DRS51.1T2CG<br>60DRS51.8T2BG<br>60DRS51.8T2AG<br>60DRS51.4T2CG<br>60DRS52.0T2BG<br>60DRS52.4T2AG<br>60DRS52.5T2AG              |        |        |        |        |        |        |        |        |        |        |        |        |         |         |         |         |         |         |         |         |         |         |         |         |      |    |

DRD (3.1÷14.0 kW) MOTOR DATA

|                          |                     |                      |                        |                        |                      |                      |                        |                       |                        |                        |                        |                        |                        |                       |                       |                         |                         |                         |                       |                      |                      |                       |                       |               |       |  |
|--------------------------|---------------------|----------------------|------------------------|------------------------|----------------------|----------------------|------------------------|-----------------------|------------------------|------------------------|------------------------|------------------------|------------------------|-----------------------|-----------------------|-------------------------|-------------------------|-------------------------|-----------------------|----------------------|----------------------|-----------------------|-----------------------|---------------|-------|--|
| Output [P <sub>2</sub> ] |                     | [kW]                 | 3.1                    | 3.6                    | 5.0                  | 6.0                  | 7.5                    | 2.7                   | 2.8                    | 4.6                    | 4.6                    | 7.1                    | 7.5                    | 10.0                  | 10.0                  | 12.0                    | 14.9                    | 16.6                    | 18.2                  | 20.0                 | 6.0                  | 8.0                   | 12.0                  | 14.0          |       |  |
| Resistance at 20° C      |                     | [Ω]                  | -                      | -                      | -                    | -                    | -                      | -                     | -                      | -                      | -                      | -                      | -                      | -                     | -                     | -                       | -                       | -                       | -                     | -                    | -                    | -                     | -                     | -             |       |  |
| GD <sup>2</sup>          |                     | [kg·m <sup>2</sup> ] | 0.0086                 | 0.0055                 | 0.0117               | 0.0118               | 0.0222                 | 0.1050                | 0.1050                 | 0.0719                 | 0.0210                 | 0.1183                 | 0.0390                 | 0.1188                | 0.0390                | 0.0230                  | 0.0556                  | 0.0430                  | 0.0655                | 0.0664               | 0.2800               | 0.3220                | 0.5034                | 0.5602        |       |  |
| Voltage                  |                     | [V]                  | 400                    | 400                    | 400/690              | 400/690              | 400/690                | 400                   | 400/690                | 400/690                | 400/690                | 400/690                | 400/690                | 400/690               | 400/690               | 400/690                 | 400/690                 | 400/690                 | 400/690               | 400/690              | 400/690              | 400/690               | 400/690               | 400/690       |       |  |
| Load                     | 0%                  | Current              | [A]                    | -                      | -                    | -                    | -                      | -                     | -                      | -                      | -                      | -                      | -                      | -                     | -                     | -                       | -                       | -                       | -                     | -                    | -                    | -                     | -                     | -             |       |  |
|                          |                     | Power                | [W]                    | -                      | -                    | -                    | -                      | -                     | -                      | -                      | -                      | -                      | -                      | -                     | -                     | -                       | -                       | -                       | -                     | -                    | -                    | -                     | -                     | -             | -     |  |
|                          |                     | Current              | [A]                    | -                      | -                    | -                    | -                      | -                     | -                      | -                      | -                      | -                      | -                      | -                     | -                     | -                       | -                       | -                       | -                     | -                    | -                    | -                     | -                     | -             | -     |  |
|                          | 75%                 | Efficiency           | [%]                    | 87                     | 87                   | 89                   | 89                     | 90                    | 86                     | 86                     | 89                     | 84                     | 90                     | 90                    | 91                    | 91                      | 91                      | 92                      | 92                    | 92                   | 92                   | 88                    | 89                    | 90            | 91    |  |
|                          |                     | Power factor         | [-]                    | 0.86                   | 0.84                 | 0.84                 | 0.84                   | 0.84                  | 0.72                   | 0.72                   | 0.74                   | 0.82                   | 0.76                   | 0.76                  | 0.76                  | 0.76                    | 0.82                    | 0.82                    | 0.82                  | 0.82                 | 0.82                 | 0.73                  | 0.75                  | 0.79          | 0.79  |  |
|                          |                     | Speed                | [min <sup>-1</sup> ]   | -                      | -                    | -                    | -                      | -                     | -                      | -                      | -                      | -                      | -                      | -                     | -                     | -                       | -                       | -                       | -                     | -                    | -                    | -                     | -                     | -             | -     |  |
|                          | 100%                | Current              | [A]                    | -                      | -                    | -                    | -                      | -                     | -                      | -                      | -                      | -                      | -                      | -                     | -                     | -                       | -                       | -                       | -                     | -                    | -                    | -                     | -                     | -             | -     |  |
|                          |                     | Efficiency           | [%]                    | 88                     | 89                   | 90                   | 90                     | 91                    | 87                     | 87                     | 90                     | 86                     | 91                     | 91                    | 91                    | 91                      | 92                      | 92                      | 92                    | 93                   | 93                   | 88                    | 90                    | 91            | 92    |  |
|                          |                     | Power factor         | [-]                    | 0.88                   | 0.88                 | 0.88                 | 0.88                   | 0.88                  | 0.77                   | 0.77                   | 0.80                   | 0.87                   | 0.93                   | 0.93                  | 0.93                  | 0.83                    | 0.87                    | 0.87                    | 0.87                  | 0.87                 | 0.87                 | 0.81                  | 0.81                  | 0.83          | 0.84  |  |
|                          | Speed               | [min <sup>-1</sup> ] | -                      | -                      | -                    | -                    | -                      | -                     | -                      | -                      | -                      | -                      | -                      | -                     | -                     | -                       | -                       | -                       | -                     | -                    | -                    | -                     | -                     | -             | -     |  |
|                          | Locked Rotor Torque |                      | [%]                    | -                      | -                    | -                    | -                      | -                     | -                      | -                      | -                      | -                      | -                      | -                     | -                     | -                       | -                       | -                       | -                     | -                    | -                    | -                     | -                     | -             | -     |  |
|                          | Start Current       |                      | [A]                    | 34.2                   | 38.9                 | 53.7                 | 64.3                   | 79.6                  | 33.6                   | 34.8                   | 46.5                   | 46.5                   | 79.6                   | 84.4                  | 112.1                 | 112.1                   | 128.0                   | 158.1                   | 175.8                 | 192.3                | 211.2                | 70.8                  | 93.2                  | 135.1         | 154.6 |  |
| Poles                    |                     |                      | 2                      |                        |                      |                      |                        |                       | 6                      |                        |                        | 4                      |                        |                       |                       | 2                       |                         |                         | 6                     |                      |                      |                       |                       |               |       |  |
| Phase                    |                     |                      | 3                      |                        |                      |                      |                        |                       |                        |                        |                        |                        |                        |                       |                       |                         |                         |                         |                       |                      |                      |                       |                       |               |       |  |
| No. starts per hour      |                     |                      | 15                     |                        |                      |                      |                        |                       |                        |                        |                        |                        |                        |                       |                       |                         |                         |                         |                       |                      |                      |                       |                       |               |       |  |
| Motor Model              |                     |                      | M209T-3.1-400/50Nn-IE3 | M209T-3.6-400/50Nn-IE3 | M210T-5-400/50YY-IE3 | M210T-6-400/50YY-IE3 | M211T-7.5-400/50YY-IE3 | M609-2.7-400/50Nn-IE3 | M610T-2.8-400/50YY-IE3 | M610T-4.6-400/50YY-IE3 | M610T-4.6-400/50YY-IE3 | M411T-7.1-400/50YY-IE3 | M411T-7.5-400/50YY-IE3 | M413T-10-400/50YY-IE3 | M213T-12-400/50YY-IE3 | M213T-14.9-400/50YY-IE3 | M213T-16.6-400/50YY-IE3 | M213T-18.2-400/50YY-IE3 | M216T-20-400/50YY-IE3 | M611T-6-400/50YY-IE3 | M613T-8-400-50YY-IE3 | M616T-12-400/50YY-IE3 | M616T-14-400/50YY-IE3 |               |       |  |
| Pump Type                |                     |                      | 65DRD53.1T2CG          | 65DRD53.6T2BG          | 80DRD55T2BG          | 80DRD56T2AG          | 40DRS51.5M2BG          | 100DRD52.7T6AG        | 40DRS51.1T2CG          | 100DRD54.6T4CG         | 100DRD54.6T4BG         | 100DRD57.1T4BG         | 100DRD57.5T4FG         | 100DRD51.0T4AG        | 100DRD51.0T4FG        | 100DRD512T2DG           | 100DRD514.9T2CG         | 100DRD516.6T2BG         | 100DRD518.2T2AG       | 100DRD520T2AG        | 150DRD56T6CG         | 150DRD56T6BG          | 150DRD512T6AG         | 150DRD514T6BG |       |  |

## MOTOR DATA

50 Hz

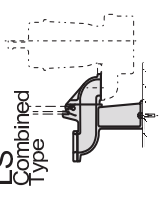
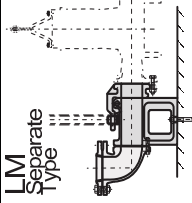
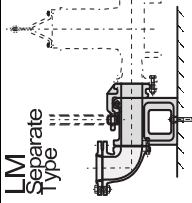
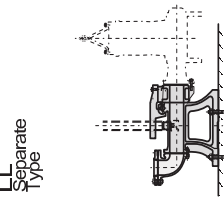
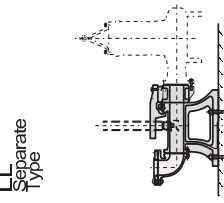
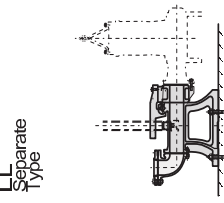
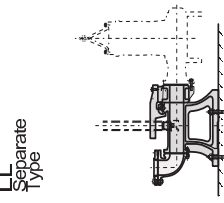
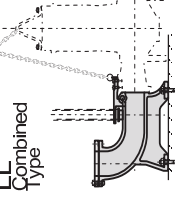
Rev. E

### DRD (14.0-85.0 kW) MOTOR DATA

|                          |         |                       |                       |                       |                         |                       |                       |                         |                       |                       |                       |                       |                       |                        |                        |                        |                        |                        |                        |                        |                        |                        |                        |                        |                        |                        |                        |               |                |                |                |               |               |               |                |                |                |               |               |               |                |                |                |               |               |               |                |                |                |               |               |               |                |                |                |
|--------------------------|---------|-----------------------|-----------------------|-----------------------|-------------------------|-----------------------|-----------------------|-------------------------|-----------------------|-----------------------|-----------------------|-----------------------|-----------------------|------------------------|------------------------|------------------------|------------------------|------------------------|------------------------|------------------------|------------------------|------------------------|------------------------|------------------------|------------------------|------------------------|------------------------|---------------|----------------|----------------|----------------|---------------|---------------|---------------|----------------|----------------|----------------|---------------|---------------|---------------|----------------|----------------|----------------|---------------|---------------|---------------|----------------|----------------|----------------|---------------|---------------|---------------|----------------|----------------|----------------|
| Output [P <sub>2</sub> ] | [kW]    | 23.0                  | 27.0                  | 27.0                  | 30.0                    | 30.0                  | 35.7                  | 35.7                    | 41.0                  | 35.0                  | 40.2                  | 52.0                  | 60.0                  | 75.0                   | 80.0                   | 80.0                   | 6.0                    | 9.3*                   | 15.8                   | 18.9                   | 23.0                   | 6.2                    | 8.0                    | 9.8                    | 14.0                   | 14.0                   |                        |               |                |                |                |               |               |               |                |                |                |               |               |               |                |                |                |               |               |               |                |                |                |               |               |               |                |                |                |
| Resistance at 20° C      | [Ω]     | -                     | -                     | -                     | -                       | -                     | -                     | -                       | -                     | -                     | -                     | -                     | -                     | -                      | -                      | -                      | -                      | -                      | -                      | -                      | -                      | -                      | -                      | -                      | -                      | -                      | -                      |               |                |                |                |               |               |               |                |                |                |               |               |               |                |                |                |               |               |               |                |                |                |               |               |               |                |                |                |
| GD²                      | [kg·m²] | 0.3364                | 0.1600                | 0.4546                | 0.5657                  | 0.6358                | 0.6972                | 0.7525                  | 0.3900                | 0.2799                | 0.1800                | 0.4930                | 1.7423                | 1.9338                 | 2.0255                 | 0.1030                 | 0.1540                 | 0.8229                 | 0.8888                 | 1.1274                 | 0.1030                 | 0.1540                 | 0.1030                 | 0.1540                 | 0.6802                 | 0.7721                 |                        |               |                |                |                |               |               |               |                |                |                |               |               |               |                |                |                |               |               |               |                |                |                |               |               |               |                |                |                |
| Voltage                  | [V]     | 400/690               | 400/690               | 400/690               | 400/690                 | 400/690               | 400/690               | 400/690                 | 400/690               | 400/690               | 400/690               | 400/690               | 400/690               | 400/690                | 400/690                | 400/690                | 400/690                | 400/690                | 400/690                | 400/690                | 400/690                | 400/690                | 400/690                | 400/690                | 400/690                | 400/690                | 400/690                |               |                |                |                |               |               |               |                |                |                |               |               |               |                |                |                |               |               |               |                |                |                |               |               |               |                |                |                |
| Load                     | 0%      | Current               | [A]                   | -                     | -                       | -                     | -                     | -                       | -                     | -                     | -                     | -                     | -                     | -                      | -                      | -                      | -                      | -                      | -                      | -                      | -                      | -                      | -                      | -                      | -                      | -                      | -                      |               |                |                |                |               |               |               |                |                |                |               |               |               |                |                |                |               |               |               |                |                |                |               |               |               |                |                |                |
|                          |         | Power                 | [W]                   | -                     | -                       | -                     | -                     | -                       | -                     | -                     | -                     | -                     | -                     | -                      | -                      | -                      | -                      | -                      | -                      | -                      | -                      | -                      | -                      | -                      | -                      | -                      | -                      | -             |                |                |                |               |               |               |                |                |                |               |               |               |                |                |                |               |               |               |                |                |                |               |               |               |                |                |                |
|                          | 75%     | Current               | [A]                   | 93                    | 93                      | 93                    | 94                    | 94                      | 94                    | 94                    | 93                    | 94                    | 94                    | 95                     | 95                     | 95                     | 95                     | 82                     | 89                     | 91                     | 92                     | 92                     | 82                     | 84                     | 90                     | 91                     | 91                     |               |                |                |                |               |               |               |                |                |                |               |               |               |                |                |                |               |               |               |                |                |                |               |               |               |                |                |                |
|                          |         | Efficiency            | [%]                   | 0.80                  | 0.80                    | 0.80                  | 0.84                  | 0.84                    | 0.83                  | 0.83                  | 0.83                  | 0.82                  | 0.82                  | 0.83                   | 0.86                   | 0.86                   | 0.86                   | 0.70                   | 0.72                   | 0.79                   | 0.81                   | 0.84                   | 0.70                   | 0.72                   | 0.75                   | 0.79                   | 0.79                   |               |                |                |                |               |               |               |                |                |                |               |               |               |                |                |                |               |               |               |                |                |                |               |               |               |                |                |                |
|                          |         | Power factor          | [-]                   | -                     | -                       | -                     | -                     | -                       | -                     | -                     | -                     | -                     | -                     | -                      | -                      | -                      | -                      | -                      | -                      | -                      | -                      | -                      | -                      | -                      | -                      | -                      | -                      | -             |                |                |                |               |               |               |                |                |                |               |               |               |                |                |                |               |               |               |                |                |                |               |               |               |                |                |                |
|                          |         | Speed                 | [min <sup>-1</sup> ]  | -                     | -                       | -                     | -                     | -                       | -                     | -                     | -                     | -                     | -                     | -                      | -                      | -                      | -                      | -                      | -                      | -                      | -                      | -                      | -                      | -                      | -                      | -                      | -                      | -             |                |                |                |               |               |               |                |                |                |               |               |               |                |                |                |               |               |               |                |                |                |               |               |               |                |                |                |
|                          | 100%    | Current               | [A]                   | -                     | -                       | -                     | -                     | -                       | -                     | -                     | -                     | -                     | -                     | -                      | -                      | -                      | -                      | -                      | -                      | -                      | -                      | -                      | -                      | -                      | -                      | -                      | -                      |               |                |                |                |               |               |               |                |                |                |               |               |               |                |                |                |               |               |               |                |                |                |               |               |               |                |                |                |
|                          |         | Efficiency            | [%]                   | 94                    | 94                      | 94                    | 94                    | 94                      | 94                    | 94                    | 94                    | 94                    | 95                    | 95                     | 95                     | 95                     | 95                     | 84                     | 89                     | 92                     | 92                     | 93                     | 84                     | 89                     | 90                     | 92                     | 92                     |               |                |                |                |               |               |               |                |                |                |               |               |               |                |                |                |               |               |               |                |                |                |               |               |               |                |                |                |
|                          |         | Power factor          | [-]                   | 0.84                  | 0.84                    | 0.84                  | 0.85                  | 0.85                    | 0.86                  | 0.86                  | 0.86                  | 0.87                  | 0.87                  | 0.88                   | 0.90                   | 0.90                   | 0.90                   | 0.74                   | 0.76                   | 0.84                   | 0.85                   | 0.88                   | 0.74                   | 0.76                   | 0.81                   | 0.84                   | 0.84                   |               |                |                |                |               |               |               |                |                |                |               |               |               |                |                |                |               |               |               |                |                |                |               |               |               |                |                |                |
|                          |         | Speed                 | [min <sup>-1</sup> ]  | -                     | -                       | -                     | -                     | -                       | -                     | -                     | -                     | -                     | -                     | -                      | -                      | -                      | -                      | -                      | -                      | -                      | -                      | -                      | -                      | -                      | -                      | -                      | -                      | -             |                |                |                |               |               |               |                |                |                |               |               |               |                |                |                |               |               |               |                |                |                |               |               |               |                |                |                |
| Locked Rotor Torque      | [%]     | -                     | -                     | -                     | -                       | -                     | -                     | -                       | -                     | -                     | -                     | -                     | -                     | -                      | -                      | -                      | -                      | -                      | -                      | -                      | -                      | -                      | -                      | -                      | -                      | -                      |                        |               |                |                |                |               |               |               |                |                |                |               |               |               |                |                |                |               |               |               |                |                |                |               |               |               |                |                |                |
| Start Current            | [A]     | 249.0                 | 292.6                 | 292.6                 | 320.4                   | 320.4                 | 375.2                 | 375.2                   | 431.3                 | 364.6                 | 418.9                 | 531.6                 | 597.7                 | 745.2                  | 795.3                  | 795.3                  | 75.1                   | 101.0                  | 174.6                  | 205.3                  | 239.5                  | 77.8                   | 87.2                   | 113.9                  | 154.6                  | 154.6                  |                        |               |                |                |                |               |               |               |                |                |                |               |               |               |                |                |                |               |               |               |                |                |                |               |               |               |                |                |                |
| Poles                    |         | 4                     |                       |                       |                         | 6                     |                       |                         |                       | 8                     |                       |                       |                       | 6                      |                        |                        |                        | 8                      |                        |                        |                        | 6                      |                        |                        |                        |                        |                        |               |                |                |                |               |               |               |                |                |                |               |               |               |                |                |                |               |               |               |                |                |                |               |               |               |                |                |                |
| Phase                    |         | 3                     |                       |                       |                         |                       |                       |                         |                       |                       |                       |                       |                       |                        |                        |                        |                        |                        |                        |                        |                        |                        |                        |                        |                        |                        |                        |               |                |                |                |               |               |               |                |                |                |               |               |               |                |                |                |               |               |               |                |                |                |               |               |               |                |                |                |
| No. starts per hour      |         | 15                    |                       |                       |                         |                       |                       |                         |                       |                       |                       |                       |                       |                        |                        |                        |                        |                        |                        |                        |                        |                        |                        |                        |                        |                        |                        |               |                |                |                |               |               |               |                |                |                |               |               |               |                |                |                |               |               |               |                |                |                |               |               |               |                |                |                |
| Motor Model              |         | M416T-23-400/50YY-IE3 | M416T-27-400/50YY-IE3 | M418T-30-400/50YY-IE3 | M418T-35.7-400/50YY-IE3 | M418T-41-400/50YY-IE3 | M218T-35-400/50YY-IE3 | M218T-40.2-400/50YY-IE3 | M218T-52-400/50YY-IE3 | M420T-60-400/50YY-IE3 | M425T-75-400/50YY-IE3 | M425T-80-400/50YY-IE3 | M425T-95-400/50YY-IE3 | M425T-115-400/50YY-IE3 | M425T-135-400/50YY-IE3 | M425T-158-400/50YY-IE3 | M425T-189-400/50YY-IE3 | M425T-230-400/50YY-IE3 | M425T-270-400/50YY-IE3 | M425T-300-400/50YY-IE3 | M425T-350-400/50YY-IE3 | M425T-400-400/50YY-IE3 | M425T-450-400/50YY-IE3 | M425T-500-400/50YY-IE3 | M425T-550-400/50YY-IE3 | M425T-600-400/50YY-IE3 | M425T-650-400/50YY-IE3 |               |                |                |                |               |               |               |                |                |                |               |               |               |                |                |                |               |               |               |                |                |                |               |               |               |                |                |                |
| Pump Type                |         | 150DRD523T4CG         | 150DRD527T4BG         | 150DRD527T4AG         | 150DRD530T4BG           | 150DRD530T4AG         | 150DRD535T4EG         | 150DRD535T4AG           | 150DRD541T4AG         | 150DRD535T2AG         | 150DRD540T2BGG        | 150DRD532T2CG         | 150DRD560T4CG         | 150DRD527T4CG          | 150DRD580T4AG          | 150DRD580T4AG          | 200DRD56T8AG           | 200DRD58.3T8CG         | 200DRD58.3T8BG         | 200DRD515T6CG          | 200DRD518T6BG          | 200DRD523T6AG          | 200DRD58.2T8CG         | 200DRD58.3T8CG         | 200DRD58.3T8BG         | 200DRD515T6CG          | 200DRD518T6BG          | 200DRD523T6AG | 200DRD58.2T8CG | 200DRD58.3T8CG | 200DRD58.3T8BG | 200DRD515T6CG | 200DRD518T6BG | 200DRD523T6AG | 200DRD58.2T8CG | 200DRD58.3T8CG | 200DRD58.3T8BG | 200DRD515T6CG | 200DRD518T6BG | 200DRD523T6AG | 200DRD58.2T8CG | 200DRD58.3T8CG | 200DRD58.3T8BG | 200DRD515T6CG | 200DRD518T6BG | 200DRD523T6AG | 200DRD58.2T8CG | 200DRD58.3T8CG | 200DRD58.3T8BG | 200DRD515T6CG | 200DRD518T6BG | 200DRD523T6AG | 200DRD58.2T8CG | 200DRD58.3T8CG | 200DRD58.3T8BG |

|                          |         |                       |                       |                       |                       |                       |                       |                       |                       |                       |                       |                       |                       |                       |                       |                       |                       |                       |                       |                       |                       |                       |                       |                       |                       |   |  |  |  |
|--------------------------|---------|-----------------------|-----------------------|-----------------------|-----------------------|-----------------------|-----------------------|-----------------------|-----------------------|-----------------------|-----------------------|-----------------------|-----------------------|-----------------------|-----------------------|-----------------------|-----------------------|-----------------------|-----------------------|-----------------------|-----------------------|-----------------------|-----------------------|-----------------------|-----------------------|---|--|--|--|
| Output [P <sub>2</sub> ] | [kW]    | 40.0                  | 44.0                  | 48.0                  | 12.4                  | 17.1                  | 23.0                  | 19.0                  | 29.0                  | 15.0                  | 39.2                  | 39.2                  | 65.0                  | 75.0                  | 75.0                  | 85.0                  | 21.8                  | 26.7                  | 33.4                  | 39.2                  | 55.8                  | 65.0                  | 40.0                  | 45.0                  |                       |   |  |  |  |
| Resistance at 20° C      | [Ω]     | -                     | -                     | -                     | -                     | -                     | -                     | -                     | -                     | -                     | -                     | -                     | -                     | -                     | -                     | -                     | -                     | -                     | -                     | -                     | -                     | -                     | -                     | -                     | -                     |   |  |  |  |
| GD²                      | [kg·m²] | 0.8331                | 0.9750                | 0.9994                | 0.3450                | 0.5770                | 1.0678                | 0.5770                | 1.3011                | 0.0980                | 2.0971                | 2.1452                | 1.8865                | 2.0663                | 2.0250                | 2.1029                | 1.4606                | 1.5040                | 1.2610                | 1.9286                | 2.9559                | 2.9720                | 2.1200                | 2.4300                |                       |   |  |  |  |
| Voltage                  | [V]     | 400/690               | 400/690               | 400/690               | 400/690               | 400/690               | 400/690               | 400/690               | 400/690               | 400/690               | 400/690               | 400/690               | 400/690               | 400/690               | 400/690               | 400/690               | 400/690               | 400/690               | 400/690               | 400/690               | 400/690               | 400/690               | 400/690               | 400/690               | 400/690               |   |  |  |  |
| Load                     | 0%      | Current               | [A]                   | -                     | -                     | -                     | -                     | -                     | -                     | -                     | -                     | -                     | -                     | -                     | -                     | -                     | -                     | -                     | -                     | -                     | -                     | -                     | -                     | -                     | -                     |   |  |  |  |
|                          |         | Power                 | [W]                   | -                     | -                     | -                     | -                     | -                     | -                     | -                     | -                     | -                     | -                     | -                     | -                     | -                     | -                     | -                     | -                     | -                     | -                     | -                     | -                     | -                     | -                     | - |  |  |  |
|                          | 75%     | Current               | [A]                   | 94                    | 94                    | 94                    | 89                    | 89                    | 92                    | 89                    | 93                    | 92                    | 93                    | 93                    | 95                    | 95                    | 95                    | 93                    | 89                    | 93                    | 93                    | 94                    | 94                    | 91                    | 91                    |   |  |  |  |
|                          |         | Efficiency            | [%]                   | 0.83                  | 0.83                  | 0.83                  | 0.72                  | 0.75                  | 0.84                  | 0.75                  | 0.82                  | 0.79                  | 0.80                  | 0.80                  | 0.86                  | 0.86                  | 0.86                  | 0.80                  | 0.76                  | 0.82                  | 0.80                  | 0.82                  | 0.82                  | 0.76                  | 0.76                  |   |  |  |  |
|                          |         | Power factor          | [-]                   | -                     | -                     | -                     | -                     | -                     | -                     | -                     | -                     | -                     | -                     | -                     | -                     | -                     | -                     | -                     | -                     | -                     | -                     | -                     | -                     | -                     | -                     | - |  |  |  |
|                          |         | Speed                 | [min <sup>-1</sup> ]  | -                     | -                     | -                     | -                     | -                     | -                     | -                     | -                     | -                     | -                     | -                     | -                     | -                     | -                     | -                     | -                     | -                     | -                     | -                     | -                     | -                     | -                     | - |  |  |  |
|                          | 100%    | Current               | [A]                   | -                     | -                     | -                     | -                     | -                     | -                     | -                     | -                     | -                     | -                     | -                     | -                     | -                     | -                     | -                     | -                     | -                     | -                     | -                     | -                     | -                     | -                     | - |  |  |  |
|                          |         | Efficiency            | [%]                   | 94                    | 95                    | 95                    | 89                    | 89                    | 93                    | 89                    | 93                    | 93                    | 94                    | 94                    | 95                    | 95                    | 95                    | 94                    | 90                    | 93                    | 94                    | 95                    | 95                    | 91                    | 92                    |   |  |  |  |
|                          |         | Power factor          | [-]                   | 0.86                  | 0.86                  | 0.86                  | 0.76                  | 0.79                  | 0.88                  | 0.79                  | 0.85                  | 0.84                  | 0.85                  | 0.85                  | 0.90                  | 0.90                  | 0.90                  | 0.85                  | 0.80                  | 0.85                  | 0.85                  | 0.86                  | 0.86                  | 0.80                  | 0.80                  |   |  |  |  |
|                          |         | Speed                 | [min <sup>-1</sup> ]  | -                     | -                     | -                     | -                     | -                     | -                     | -                     | -                     | -                     | -                     | -                     | -                     | -                     | -                     | -                     | -                     | -                     | -                     | -                     | -                     | -                     | -                     | - |  |  |  |
| Locked Rotor Torque      | [%]     | -                     | -                     | -                     | -                     | -                     | -                     | -                     | -                     | -                     | -                     | -                     | -                     | -                     | -                     | -                     | -                     | -                     | -                     | -                     | -                     | -                     | -                     | -                     |                       |   |  |  |  |
| Start Current            | [A]     | 420.7                 | 460.8                 | 502.7                 | 143.1                 | 186.0                 | 239.5                 | 206.7                 | 311.5                 | 164                   | 418.9                 | 418.9                 | 647.2                 | 745.2                 | 745.2                 | 844.9                 | 240.4                 | 294.2                 | 358.7                 | 418.9                 | 584.1                 | 680.3                 | 404.4                 | 485.6                 |                       |   |  |  |  |
| Poles                    |         | 4                     |                       | 8                     |                       | 6                     |                       | 8                     |                       | 6                     |                       | 4                     |                       | 6                     |                       | 4                     |                       | 8                     |                       | 6                     |                       | 8                     |                       | 6                     |                       |   |  |  |  |
| Phase                    |         | 3                     |                       |                       |                       |                       |                       |                       |                       |                       |                       |                       |                       |                       |                       |                       |                       |                       |                       |                       |                       |                       |                       |                       |                       |   |  |  |  |
| No. starts per hour      |         | 15                    |                       |                       |                       |                       |                       |                       |                       |                       |                       |                       |                       |                       |                       |                       |                       |                       |                       |                       |                       |                       |                       |                       |                       |   |  |  |  |
| Motor Model              |         | M420T-40-400/50YY-IE3 | M420T-44-400/50YY-IE3 | M420T-48-400/50YY-IE3 | M420T-48-400/50YY-IE3 | M420T-48-400/50YY-IE3 | M420T-48-400/50YY-IE3 | M420T-48-400/50YY-IE3 | M420T-48-400/50YY-IE3 | M420T-48-400/50YY-IE3 | M420T-48-400/50YY-IE3 | M420T-48-400/50YY-IE3 | M420T-48-400/50YY-IE3 | M420T-48-400/50YY-IE3 | M420T-48-400/50YY-IE3 | M420T-48-400/50YY-IE3 | M420T-48-400/50YY-IE3 | M420T-48-400/50YY-IE3 | M420T-48-400/50YY-IE3 | M420T-48-400/50YY-IE3 | M420T-48-400/50YY-IE3 | M420T-48-400/50YY-IE3 | M420T-48-400/50YY-IE3 | M420T-48-400/50YY-IE3 | M420T-48-400/50YY-IE3 |   |  |  |  |
| Pump Type                |         | 200DRD540T4CG         | 200DRD544T4BG         | 200DRD548T4AG         | 200DRD548T4AG         | 200DRD548T4AG         | 200DRD548T4AG         | 200DRD548T4AG         | 200DRD548T4AG         | 200DRD548T4AG         | 200DRD548T4AG         | 200DRD548T4AG         | 200DRD548T4AG         | 200DRD548T4AG         | 200DRD548T4AG         | 200DRD548T4AG         | 200DRD548T4AG         | 200DRD548T4AG         | 200DRD548T4AG         | 200DRD548T4AG         | 200DRD548T4AG         | 200DRD548T4AG         | 200DRD548T4AG         | 200DRD548T4AG         | 200DRD548T4AG         |   |  |  |  |

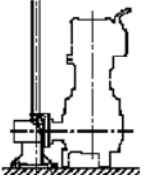
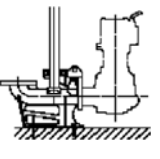
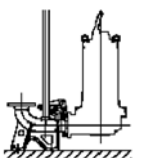
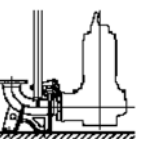
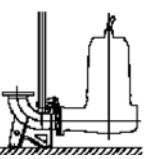
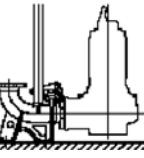
QDC SELECTION TABLE

| QDC Model  | Size               |                      |                    |                 | Applicable Model    |                     |                        |                          | DML (V)                    |
|--|--------------------|----------------------|--------------------|-----------------|---------------------|---------------------|------------------------|--------------------------|----------------------------|
|  | Discharge Flange Ø | Discharge Elbow Ø    | QDC Body Ø         | Volute Flange Ø | DS                  | DVS                 | DLW/C                  | DL                       |                            |
| LS50<br>    | 50                 | 50x50                | 50                 | 50              | 50DS<br>1.5 kW      | 50DVS<br>1.5 kW     |                        |                          |                            |
|  | 50                 |                      | 50DS<br>2.2÷3.7 kW |                 |                     |                     |                        |                          |                            |
| LM65<br>    | 65                 | 65x65                | 65                 | 65              | 65DS<br>1.5 kW      | 65DVS<br>1.5÷3.7 kW | 65DLW/C<br>1.5 kW      | 65DL<br>1.5 kW           |                            |
|  | 80                 | 65x80                | 65                 | 65              |                     | 80DVS<br>1.5÷3.7 kW |                        |                          |                            |
| LM80<br>    | 80                 | 80x80                | 80                 | 80              | 80DS<br>2.2÷3.7 kW  |                     | 80DLW/C<br>1.5÷3.7 kW  | 80DL<br>1.5÷3.7 kW       | 80&100DML(V)<br>2.2÷3.7 kW |
|  | 80                 | 80x80                | 80                 | 80              |                     |                     |                        | 80DLC<br>5.5÷7.5 kW      |                            |
| LL80<br>   | 100                | 80x100               | 80                 | 80              |                     |                     |                        | 100DLC<br>5.5÷7.5 kW     |                            |
|  | 100                | 100x100              | 100                | 100             | 100DS<br>5.5÷7.5 kW |                     | 100DLW/C<br>3.7÷7.5 kW | 100DL&DLB<br>3.7÷18.5 kW | 100DML(V)<br>5.5÷22 kW     |
| LL100<br>  | 150                | 100x150              | 100                | 100             |                     |                     |                        |                          | 150DML<br>5.5÷22 kW        |
|  | 150                | 125x150              | 125                | 125             |                     |                     |                        | 150DL<br>5.5÷22 kW       |                            |
| LL125<br>  | 150                | 150x150              | 150                | 150             |                     |                     |                        | 150DL<br>30÷45 kW        |                            |
|  | 200                | 150x200              | 150                | 150             |                     |                     |                        | 200DL<br>5.5÷45 kW       |                            |
| LL150<br>  | 250                | (Reducer)<br>300x250 | 200x250            | 200             |                     |                     |                        | 250DL<br>7.5÷22 kW       |                            |
|  | 250                |                      | 250x300            | 250             |                     |                     |                        | 250DL<br>30÷45 kW        |                            |
| LL250<br> | 300                | 250x300              | 250x300            | 250             |                     |                     |                        | 300DL<br>11÷45 kW        |                            |
|  | 300                |                      |                    |                 |                     |                     |                        |                          |                            |

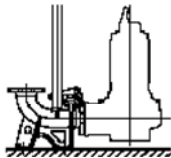
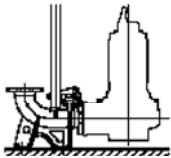
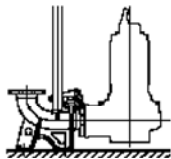
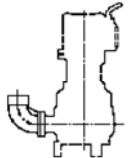

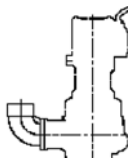
Note: The discharge elbow & companion flange are not supplied with the QDC. These items are standard accessories supplied with the pump (except for DS and DVS 1.5 kW and DL 30÷45 kW), and they are used with the QDC.  
With LS50, LL250 and LL300 the Discharge Elbow is not necessary, because it is included in the QDC body.



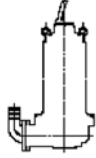
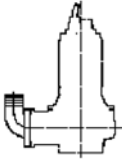
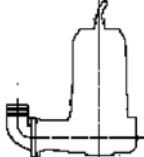

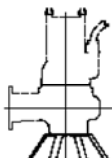
QDC, ELBOW, TRIPOD AND FLANGE SELECTION TABLE

|   | MODEL  | APPLICABLE MODEL                              |   |   |  |  |
|---|--|---|---|---|--|--|
|   |  | DSF   | DMLF                                    | DMLVF   | DRS  | DRD  |
|    | GPA DN50T  | 40DSF51.5M2CG<br>40DSF51.9M2AG<br>40DSF56T2AG | 50DMLF51.4M2BG                          | 50DMLVF51.5M2CG<br>50DMLVF51.5M2BG<br>50DMLVF51.9M2AG   | 40DRS51.1M2CG<br>40DRS51.1M2BG<br>40DRS51.1M2AG<br>40DRS51.2M2CG<br>40DRS51.5M2BG<br>40DRS51.9M2AG<br>40DRS51.1T2CG<br>40DRS51.1T2BG<br>40DRS51.1T2AG<br>40DRS51.6T2CG<br>40DRS51.6T2BG<br>40DRS52.4T2AG<br>40DRS53.1T2BG<br>40DRS53.1T2AG<br>40DRS54.2T2CG<br>40DRS53T2BG |  |
|    | GPA DN65/8 (*)<br>GPA DN65/15 (**)<br>GPA DN65/L (***) |   | (*)<br>65DMLF51.5M2AG<br>65DMLF51.9M2BG | (*)<br>65DMLVF51.5M2CG                                  | (**)<br>65DRS57.5T2BG<br>65DRS56.5T2CG<br>65DRS59T2DG<br>65DRS511T2CG<br>65DRS513.8T2BG<br>65DRS513.8T2AG<br>65DRS514.9T2GG<br>65DRS520T2BG<br>65DRS522.4T2AG<br>65DRS525.1T2AG  | (***)<br>65DRD53.1T2CG<br>65DRD53.6T2BG  |
|   | GPA DN80/L   |   |   | 80DMLVF54.9T4AG<br>80DMLVF516.6T2BG<br>80DMLVF518.2T2DG |  | 80DRD55T2BG<br>80DRD56T2AG<br>80DRD57.5T2AG  |
|  | GPA DN100/L  |   |   | 100DMLVF55.2T6BG  |  | 100DRD52.8T6AG<br>100DRD54.6T4CG<br>100DRD54.6T4BG<br>100DRD57.1T4BG<br>100DRD57.5T4FG<br>100DRD510T4FG<br>100DRD510T4AG<br>100DRD512T2DG<br>100DRD514.9T2CG<br>100DRD516.6T2BG<br>100DRD518.2T2AG<br>100DRD520T2AG  |
|  | GPA DN150/L  |   |   |   |  | 150DRD540.2T2BG<br>150DRD552T2CG<br>150DRD56T6CG<br>150DRD58T6BG<br>150DRD512T6AG<br>150DRD514T6BG<br>150DRD523T4CG<br>150DRD527T4BG<br>150DRD527T4AG<br>150DRD530T4BG<br>150DRD530.1T4BG<br>150DRD535T2AG<br>150DRD535.7T4EG<br>150DRD535.7T4AG<br>150DRD541T4AG<br>150DRD560T4GG |
|  | GPA DN200  |   |   |   |  | 200DRD56T8AG<br>200DRD56.2T8CG<br>200DRD58T8AG<br>200DRD59.3T8CG<br>200DRD59.3T8BG<br>200DRD59.8T6CG<br>200DRD514T6BG<br>200DRD514T6AG<br>200DRD515.8T6CG<br>200DRD518.9T6BG<br>200DRD523T6AG<br>200DRD540T4CG<br>200DRD544T4BG<br>200DRD548T4AG                                   |

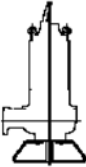
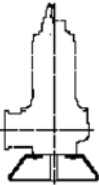
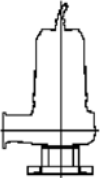
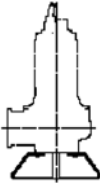
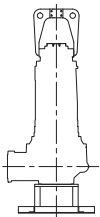
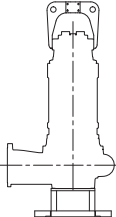
QDC, ELBOW, TRIPOD AND FLANGE SELECTION TABLE

|   | MODEL       | APPLICABLE MODEL                              |                                  |   |  |  |
|---|-------------|---|----------------------------------|---|--|--|
|   |             | DSF   | DMLF                             | DMLVF   | DRS  | DRD  |
|    | GPA DN250/L | -   | -                                | -   | -  | 250DRD512.4T8DG<br>250DRD517.1T8CG<br>250DRD519T8AG<br>250DRD515T4AG<br>250DRD523T6DG<br>250DRD529T6CG<br>250DRD539.2T6BG<br>250DRD539.2T6AG<br>250DRD565T4DG<br>250DRD575T4CG<br>250DRD575T4BG<br>250DRD585T4AG |
|    | GPA DN300   | -   | -                                | -   | -  | 300DRD521.8T8BG<br>300DRD526.7T8CG<br>300DRD533.4T6DG<br>300DRD539.2T6CG<br>300DRD555.8T6BG<br>300DRD565T6AG   |
|   | GPA DN350/L | -   | -                                | -   | -  | 350DRD540T8CG<br>350DRD545T8AG   |
|  | GCF2        | 40DSF51.5M2CG<br>40DSF51.9M2AG<br>40DSF56T2AG | 50DMLF51.4M2BG                   | 50DMLVF51.5M2CG<br>50DMLVF51.5M2BG<br>50DMLVF51.9M2AG | 40DRSS1.1M2CG<br>40DRSS1.1M2BG<br>40DRSS1.1M2AG<br>40DRSS1.2M2CG<br>40DRSS1.5M2BG<br>40DRSS1.9M2AG<br>40DRSS1.1T2CG<br>40DRSS1.1T2BG<br>40DRSS1.4T2AG<br>40DRSS1.6T2CG<br>40DRSS1.6T2BG<br>40DRSS2.4T2AG<br>40DRSS3.1T2BG<br>40DRSS3.1T2AG<br>40DRSS4.2T2CG<br>40DRSS4.2T2BG | -  |
|  | GC DN65     | -   | -                                | -   | 65DRSS7.5T2BG<br>65DRSS6.5T2CG<br>65DRSS9T2DG<br>65DRSS11T2CG<br>65DRSS13.8T2BG<br>65DRSS13.8T2AG<br>65DRSS14.9T2GG<br>65DRSS20T2BG<br>65DRSS22.4T2AG<br>65DRSS25.1T2AG  | 65DRD53.1T2CG<br>65DRD53.6T2BG   |
|  | GCF2.1/2    | -   | 65DMLF51.5M2AG<br>65DMLF51.9M2BG | 65DMLVF51.5M2CG                                       | -  | -  |

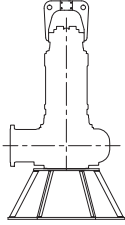
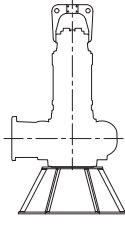
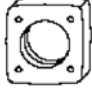
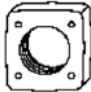
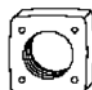
**QDC, ELBOW, TRIPOD AND FLANGE SELECTION TABLE**

|   | MODEL      | APPLICABLE MODEL |      |                                     |     |  |
|---|------------|------------------|------|-------------------------------------|-----|--|
|   |            | DSF              | DMLF | DMLVF                               | DRS | DRD  |
|    | GC DN80/L  | -                | -    | 80DMLVF516.6T2BG                    | -   | 80DRD55T2BG<br>80DRD56T2AG   |
|    | GC DN100/L | -                | -    | 100DMLVF55.2T6BG                    | -   | 100DRD52.7T6AG<br>100DRD52.8T6AG<br>100DRD54.6T4CG<br>100DRD54.6T4BG<br>100DRD57.1T4BG<br>100DRD57.5T4FG<br>100DRD510T4FG<br>100DRD510T4AG<br>100DRD512T2DG<br>100DRD514.9T2CG<br>100DRD516.6T2BG<br>100DRD518.2T2AG<br>100DRD520T2AG  |
|   | GC DN150/L | -                | -    | -                                   | -   | 150DRD540.2T2BG<br>150DRD552T2CG<br>150DRD56T6CG<br>150DRD58T6BG<br>150DRD512T6AG<br>150DRD514T6BG<br>150DRD523T4CG<br>150DRD527T4BG<br>150DRD527T4AG<br>150DRD530T4BG<br>150DRD530.1T4BG<br>150DRD535T2AG<br>150DRD535.7T4EG<br>150DRD535.7T4AG<br>150DRD541T4AG<br>150DRD560T4GG |
|  | PAP65SP02  | -                | -    | 65DMLVF51.5M2CG                     |     |  |
|  | PAPDN80/L  | -                | -    | 80DMLVF54.9T4AG<br>80DMLVF516.6T2BG |     | 65DRD53.1T2CG<br>65DRD53.6T2BG<br>80DRD55T2BG<br>80DRD56T2AG   |

QDC, ELBOW, TRIPOD AND FLANGE SELECTION TABLE

|   | MODEL                            | APPLICABLE MODEL |      |                  |  |  |
|---|----------------------------------|------------------|------|------------------|--|--|
|   |                                  | DSF              | DMLF | DMLVF            | DRS  | DRD  |
|    | PAPDN100NP07                     | -                | -    | 80DMLVF518.2T2DG |  | 80DRD57.5T2AG  |
|    | PAPDN125NP07                     | -                | -    | 100DMLVF55.2T6BG | 65DRS57.5T2BG<br>65DRS56.5T2CG   | 100DRD52.7T6AG<br>100DRD52.8T6AG<br>100DRD54.6T4CG<br>100DRD54.6T4BG<br>100DRD57.1T4BG<br>100DRD57.5T4FG<br>100DRD510T4FG<br>100DRD510T4AG<br>100DRD512T2DG<br>100DRD514.9T2CG<br>100DRD516.6T2BG<br>100DRD518.2T2AG<br>100DRD520T2AG  |
|   | PAPDN150SP07(*)<br>PAPDN150 (**) | -                | -    | -                | (*)<br>65DRS59T2DG<br>65DRS511T2CG<br>65DRS513.8T2BG<br>65DRS513.8T2AG<br>65DRS514.9T2GG<br>65DRS520T2BG<br>65DRS522.4T2AG<br>65DRS525.1T2AG | (**)<br>150DRD540.2T2BG<br>150DRD552T2CG<br>150DRD512T6AG<br>150DRD514T6BG<br>150DRD523T4CG<br>150DRD527T4BG<br>150DRD527T4AG<br>150DRD530T4BG<br>150DRD530.1T4BG<br>150DRD535T2AG<br>150DRD535.7T4EG<br>150DRD535.7T4AG<br>150DRD541T4AG  |
|  | PAPDN200                         | -                | -    | -                | -  | 150DRD56T6CG<br>150DRD58T6BG   |
|  | PAPDN200                         | -                | -    | -                | -  | 150DRD560T4GG<br>150DRD575T4CG<br>150DRD580T4BG<br>150DRD580T4AG<br>200DRD56T8AG<br>200DRD56.2T8CG<br>200DRD58T8AG<br>200DRD59.3T8CG<br>200DRD59.3T8BG<br>200DRD59.8T6CG<br>200DRD514T6BG<br>200DRD514T6AG<br>200DRD515.8T6CG<br>200DRD518.9T6BG<br>200DRD523T6AG<br>200DRD540T4CG |
|  | PAPDN250                         | -                | -    | -                | -  | 250DRD512.4T8DG<br>250DRD517.1T8CG<br>250DRD519T8AG<br>250DRD515T4AG<br>250DRD523T6DG<br>250DRD529T6CG<br>250DRD539.2T6BG<br>250DRD539.2T6AG<br>250DRD565T4DG<br>250DRD575T4CG<br>250DRD575T4BG<br>250DRD585T4AG   |

**QDC, ELBOW, TRIPOD AND FLANGE SELECTION TABLE**

|   | MODEL    | APPLICABLE MODEL                              |                                  |   |   |  |
|---|----------|---|----------------------------------|---|---|--|
|   |          | DSF   | DMLF                             | DMLVF   | DRS   | DRD  |
|    | PAPDN300 | -   | -                                | -   | -   | 300DRD521.8T88G<br>300DRD526.7T8CG<br>300DRD533.4T6DG<br>300DRD539.2T6CG<br>300DRD555.8T6BG<br>300DRD565T6AG |
|    | PAPDN400 | -   | -                                | -   | -   | 350DRD540T8CG<br>350DRD545T8AG   |
|  | GF1.1/2T | 40DSF51.5M2CG<br>40DSF51.9M2AG<br>40DSF56T2AG | -                                | -   | 40DRS51.2M2CG<br>40DRS51.5M2BG<br>40DRS51.9M2AG<br>40DRS51.1T2CG<br>40DRS51.1T2BG<br>40DRS51.4T2AG<br>40DRS51.6T2CG<br>40DRS51.6T2BG<br>40DRS52.4T2AG<br>40DRS53.1T2BG<br>40DRS53.1T2AG<br>40DRS53.1T2AG<br>40DRS54.2T2CG<br>40DRS55T2BG<br>40DRS55T2AG | -  |
|  | GF2      | -   | 50DMLF51.4M2BG                   | 50DMLVF51.5M2CG<br>50DMLVF51.5M2BG<br>50DMLVF51.9M2AG | -   | -  |
|  | GF2.1/2T | -   | 65DMLF51.5M2AG<br>65DMLF51.9M2BG | 65DMLVF51.5M2CG                                       | -   | -  |