

RELY ON EXCELLENCE

H75VN

Mechanical seals | Mechanical seals for pumps | Pusher seals



Features

- Single seal
- Cartridge unit
- Design acc. to API 682 / ISO 21049
- Category 2 and 3, Type A, Arrangement 1
- Independent of direction of rotation
- Rotating multiple springs
- Integrated pumping device available (H75VP)

Advantages

- "Low-Emission-Seal" acc. to the American STLE-limits
- Universally applicable both for retrofits or original equipment
- Efficient stock-keeping due to standardized components
- Extended selection of materials
- Extended field of operation in terms of temperature and pressure
- Metal parts also in special materials available

Operating range

Shaft diameter:

$d = 20 \dots 110 \text{ mm} (0.79" \dots 4.33")^*$

Pressure: $p_1 = 40 \text{ bar} (580 \text{ PSI})$

Temperature:

$t = -40 \text{ °C} \dots +220 \text{ °C} (-40 \text{ °F} \dots 428 \text{ °F})$

Sliding velocity: $v_g = 23 \text{ m/s} (75 \text{ ft/s})$

Axial movement: $\pm 2.0 \dots 4.0 \text{ mm}$ depending on diameter and installation situation

* Other sizes on request

Materials

Seal face: Carbon graphite antimony impregnated (A)

Seat: Silicon carbide (Q1, Q2)

Secondary seals: EPDM (E), NBR (P), FKM (V), FFKM (K)

Springs: Hastelloy® C-4 (M)

Metal parts: CrNiMo steel (G), Duplex (G1), Hastelloy® C-4 (M)

Standards and approvals

- API 682 / ISO 21049

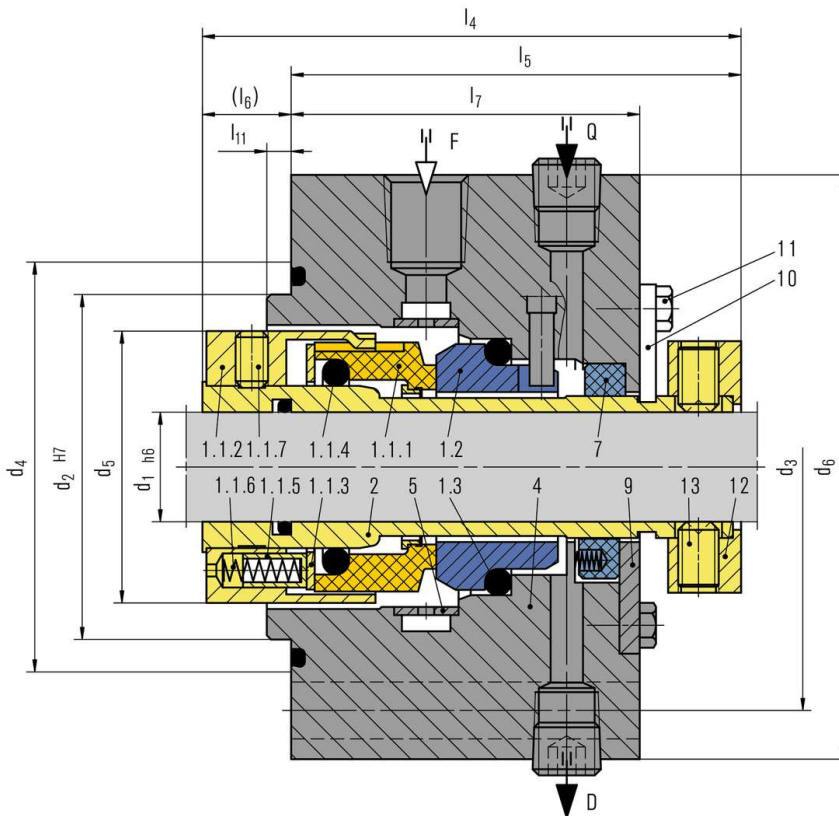
Recommended applications

- Process industry
- Oil and gas industry
- Refining technology
- Petrochemical industry
- Power plant technology
- Light hydrocarbons
- Hot water
- API 610 / ISO 13709 pumps
- Process pumps

All technical specifications are based on extensive tests and our many years of experience. The diversity of possible applications, however, means that they can serve only as guide values.

We must be notified of the exact conditions of application before we can provide any guarantee for a specific case. This is subject to change.

RELY ON EXCELLENCE



Item	Description
1.1.1	Seal face
1.1.2	Driver
1.1.3	Thrust ring
1.1.4, 1.3	O-Ring
1.1.5	Sleeve
1.1.6	Spring
1.1.7	Set screw
1.2	Seat
2	Shaft sleeve
4	Housing
5	Insert
7	Throttle ring
9	Washer
10	Assembly fixture
11	Hexagon bolt
12	Set ring
13	Set screw

Product variants

H75VP

Dimensions, items and descriptions as H75VN, but with pumping ring. Shorter installation length possible.

H75N

Dimensions, items and description as H75VN.

Seal face: Silicon carbide (Q1, Q2)

Seat: Silicon carbide (Q1, Q2)

All technical specifications are based on extensive tests and our many years of experience. The diversity of possible applications, however, means that they can serve only as guide values.

We must be notified of the exact conditions of application before we can provide any guarantee for a specific case. This is subject to change.

RELY ON EXCELLENCE

Dimensions

API/d ₁	API/d ₂	API/d ₃	API/d ₄	d ₅	d ₆	L ₄	L ₅	L ₆	L ₇	L ₁₁	Overall length
0.787	2.756	4.134	3.346	1.969	5.433	3.74	3.701	0.039	2.992	0.236	3.937
1.181	3.15	4.528	3.74	2.441	5.827	3.957	3.858	0.098	3.031	0.236	4.094
1.575	3.543	4.921	4.134	2.835	6.22	4.154	3.878	0.276	3.051	0.236	4.921
1.969	3.937	5.512	4.528	3.386	6.614	4.39	3.917	0.472	3.091	0.236	5.512
2.362	4.724	6.299	5.315	3.898	7.402	4.744	4.016	0.728	3.189	0.236	6.299
2.756	5.118	6.693	5.709	4.291	7.795	4.902	4.173	0.709	3.189	0.236	6.693
3.543	5.512	7.087	6.102	4.685	8.189	5.079	4.173	0.906	3.189	0.236	7.087
3.543	6.299	8.071	6.89	5.079	9.37	5.079	4.173	0.906	3.189	0.236	8.071
3.937	6.693	8.465	7.283	6.024	9.764	5.236	4.291	0.945	3.189	0.236	8.465
4.331	7.087	8.858	7.677	6.614	10.157	5.236	4.291	0.945	3.189	0.236	8.858

Dimensions in inch

Dimensions

API/d ₁	API/d ₂	API/d ₃	API/d ₄	d ₅	d ₆	L ₄	L ₅	L ₆	L ₇	L ₁₁	Overall length
20	70	105	85	50	138	95.0	94.00	1.0	76.0	6	100
30	80	115	95	62	148	100.5	98.0	2.5	77.0	6	104
40	90	125	105	72	158	105.5	98.5	7.0	77.5	6	125
50	100	140	115	86	168	111.5	99.5	12.0	78.5	6	140
60	120	160	135	99	188	120.5	102.0	18.5	81.0	6	160
70	130	170	145	109	198	124.5	106.0	18.0	81.0	6	170
80	140	180	155	119	208	129.0	106.0	23.0	81.0	6	180
90	160	205	175	129	238	129.0	106.0	23.0	81.0	6	205
100	170	215	185	153	248	133.0	109.0	24.0	81.0	6	215
110	180	225	195	168	258	133.0	109.0	24.0	81.0	6	225

Dimensions in millimeter

All technical specifications are based on extensive tests and our many years of experience. The diversity of possible applications, however, means that they can serve only as guide values.

We must be notified of the exact conditions of application before we can provide any guarantee for a specific case. This is subject to change.