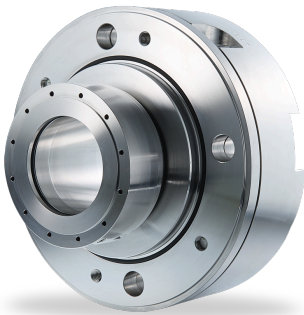


RELY ON EXCELLENCE

## H75VK

Mechanical seals | Mechanical seals for pumps | Pusher seals



### Features

- Dual seal
- Cartridge unit
- Design acc. to API 682 / ISO 21049
- Category 2/3, Type A, Arrangement 2 or 3
- Bi-directional design available
- Rotating multiple springs
- Integrated pumping device available
- Suitable for pressure reversals

### Advantages

- Fits to any seal chamber
- Universally applicable both for retrofits or original equipment
- Efficient stock-keeping due to standardized components
- Extended selection of materials
- Extended field of operation in terms of temperature and pressure
- Optimized torque transmission
- Metal parts also in special materials available
- Safe operation due to metal torque transmission at the rotating seat

### Operating range

Shaft diameter:

$d = 20 \dots 110 \text{ mm} (0.79 \dots 4.33 \text{")}$ \*

Pressure:  $p_1 = 40 \text{ bar} (580 \text{ PSI})$

Temperature:

$t = -40 \text{ °C} \dots +220 \text{ °C} (-40 \text{ °F} \dots 428 \text{ °F})$

Sliding velocity:  $v_g = 23 \text{ m/s} (75 \text{ ft/s})$

Axial movement:  $\pm 2.0 \dots 4.0 \text{ mm}$  depending on diameter and installation situation

\* Other sizes on request

### Materials

Seal face: Carbon graphite antimony

impregnated (A), Silicon carbide (Q1, Q2)

Seat: Silicon carbide (Q1, Q2)

Secondary seals: EPDM (E), NBR (P), FKM (V), FFKM (K)

Springs: Hastelloy® C-4 (M)

Metal parts: CrNiMo steel (G), Duplex (G1),

Hastelloy® C-4 (M)

### Standards and approvals

- API 682 / ISO 21049

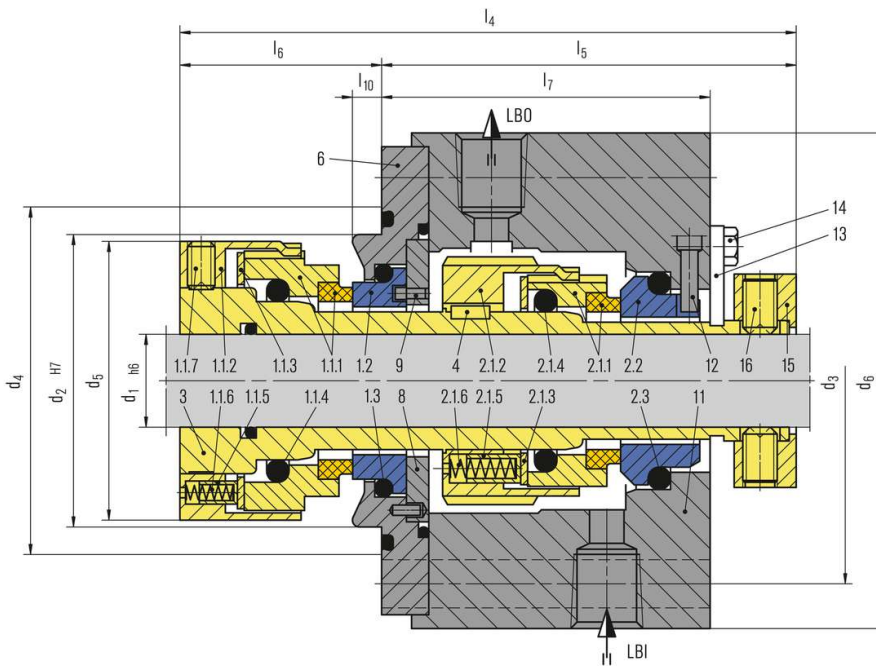
### Recommended applications

- Oil and gas industry
- Refining technology
- Petrochemical industry
- Power plant technology
- Light volatile and highly viscous hydrocarbons
- API 610 / ISO 13709 pumps
- Process pumps

All technical specifications are based on extensive tests and our many years of experience. The diversity of possible applications, however, means that they can serve only as guide values.

We must be notified of the exact conditions of application before we can provide any guarantee for a specific case. This is subject to change.

## RELY ON EXCELLENCE



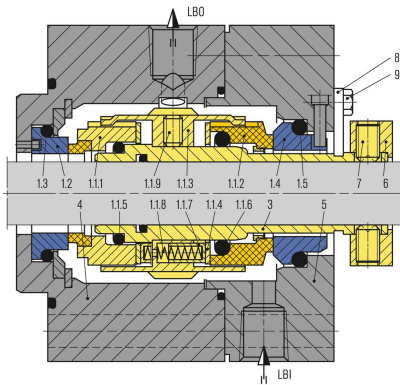
Item	Description
1.1.1, 2.1.1	Seal face
1.1.2, 2.1.2	Driver
1.1.3, 2.1.3	Thrust ring
1.1.4, 2.1.4, 1.3, 2.3	O-Ring
1.1.5, 2.1.5	Sleeve
1.1.6, 2.1.6	Spring
1.1.7, 16	Set screw
1.2, 2.2	Seat
3	Shaft sleeve
4	Key
6	Adapter
8	Washer
9	Pin
11	Housing
12	HSH cap screw
13	Assembly fixture
14	Hexagon bolt
15	Set ring

All technical specifications are based on extensive tests and our many years of experience. The diversity of possible applications, however, means that they can serve only as guide values.

We must be notified of the exact conditions of application before we can provide any guarantee for a specific case. This is subject to change.

RELY ON EXCELLENCE

## Product variants



### H75VK-D

Dual seal in back-to-back arrangement. Suitable for API 610 table 6 seal chambers.