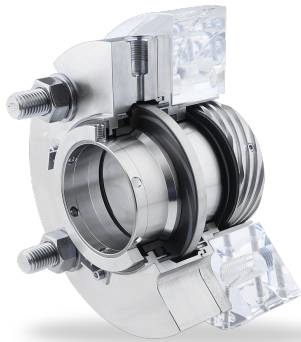


RELY ON EXCELLENCE

## GSO-DN

Mechanical seals | Mechanical seals for pumps | Gas-lubricated seals



### Features

- Seat rotating
- Stationary springs
- Double seal
- Balanced
- Standard version with V-grooves, U-grooves optional (independent of direction of rotation)
- Gas-lubricated

### Advantages

- Contact free operation
- Face-to-face
- Cartridge unit
- Does not open in the event of buffer pressure failure
- Self closing at pressure reversal
- No additional complex components to dissipate frictional heat

### Operating range

Shaft diameter:  
 $d_1 = 30 \dots 75 \text{ mm}$  (1,125" ... 2,625")  
 (other dimensions on request)  
 Product pressure:  
 $p_1 = \text{max. } 22 \text{ bar}$  (319 PSI),  
 (dependent on shaft diameter and sliding materials)  
 Barrier pressure:  $p_3 = \text{max. } 25 \text{ bar}$  (362 PSI),  
 Differential pressure:  $\Delta p = \text{min. } 3 \text{ bar}$  (44 PSI)  
 Temperature:  
 $t = -20 \text{ }^\circ\text{C} \dots +170 \text{ }^\circ\text{C}$  (-4 °F ... +338 °F)  
 (dependent on resistance of O-Rings)  
 Sliding velocity:  $v_g = 16 \text{ m/s}$  (52 ft/s),  
 with special design max. 25 m/s (82 ft/s)  
 Axial movement:  $\pm 0.2 \text{ mm}$

### Materials

Seal faces: Carbon graphite (A)  
 Seat: Silicon carbide (Q1, Q2)  
 Secondary seals:  
 FKM (V), EPDM (E), FFKM (K)  
 Springs: Hastelloy® C-4 (M)  
 Metal parts:  
 CrNiMo steel (G), Hastelloy® C-4 (M)

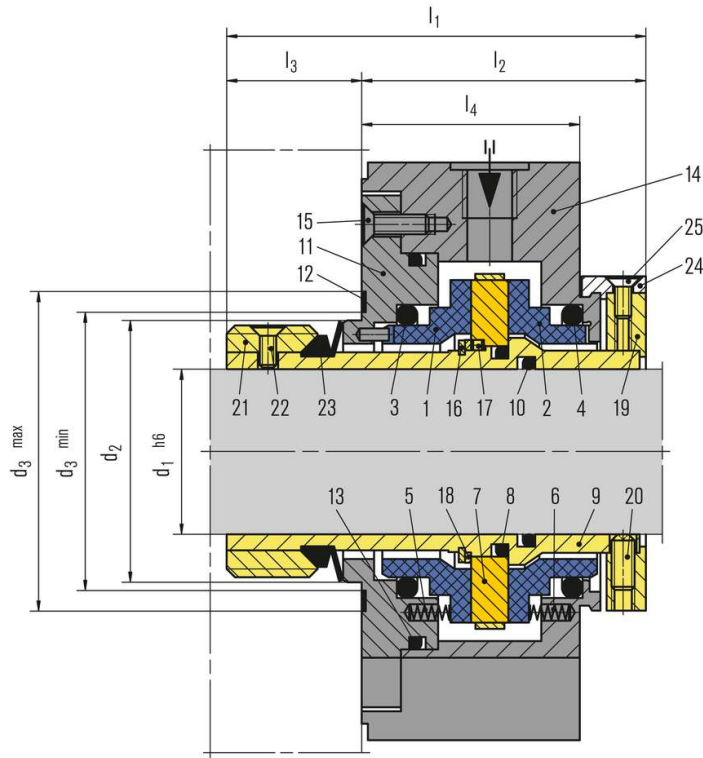
### Recommended applications

- Chemical industry
- Refining technology
- Gases and liquids
- Media which require high purity
- Environmental harmful media
- Blowers
- Fans
- Pumps

All technical specifications are based on extensive tests and our many years of experience. The diversity of possible applications, however, means that they can serve only as guide values.

We must be notified of the exact conditions of application before we can provide any guarantee for a specific case. This is subject to change.

## RELY ON EXCELLENCE



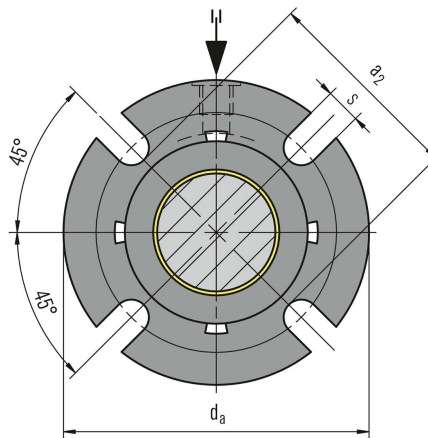
Item	Description
1, 2	Seal face
3, 4, 8, 10, 13	O-Ring
5, 6	Spring
7	Seat
9	Shaft sleeve
11	Flange
12	Gasket
14	Cover
15, 22, 25	Countersunk screw
16	Retaining ring
17	Pin
18	Ring
19	Set ring
20	Set screw
21	Pumping ring
23	V-Seal
24	Assembly fixture

All technical specifications are based on extensive tests and our many years of experience. The diversity of possible applications, however, means that they can serve only as guide values.

We must be notified of the exact conditions of application before we can provide any guarantee for a specific case. This is subject to change.

## RELY ON EXCELLENCE

### Installation, details, options



Seal cover

### Dimensions

Type	d <sub>1</sub>	d <sub>2</sub>	d <sub>3</sub> min.	d <sub>3</sub> max.	l <sub>1</sub>	l <sub>2</sub>	l <sub>3</sub>	l <sub>4</sub>	d <sub>a</sub>	a <sub>2</sub>	s
GSO-DN/30-00-R	30	46	49	59	85	55	30	39	104	69.7	14
GSO-DN/33-00-R	33	49	53	65	85.5	55.5	30	39.5	122	72.7	14
GSO-DN/35-00-R	35	51	52	65	85.5	55.5	30	39.5	124	74.7	14
GSO-DN/43-00-R	43	63	64	78	90.5	57.5	33	41.5	138	84.7	16
GSO-DN/48-00-R	48	69	69	80	90.5	57.5	33	41.5	145	89.7	16
GSO-DN/50-00-R	50	70	72	82	90.5	57.5	33	41.5	147	91.7	16
GSO-DN/53-00-R	53	73	73	87	92.8	57.8	35	41.8	148	94.7	18
GSO-DN/60-00-R	60	85	87	102	97.5	60.5	37	44.5	157	104	18
GSO-DN/65-00-R	65	90	91	107	100.5	59.5	41	43.5	178	109	18

Dimensions in millimeter  
Other diameters on request.

All technical specifications are based on extensive tests and our many years of experience. The diversity of possible applications, however, means that they can serve only as guide values.

We must be notified of the exact conditions of application before we can provide any guarantee for a specific case. This is subject to change.