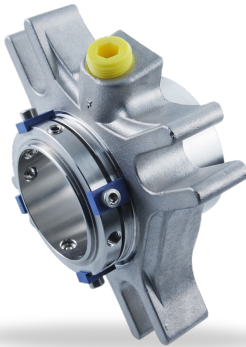


RELY ON EXCELLENCE

eCartex ANSI Single seals

Mechanical seals | Mechanical seals for pumps | Standard cartridge seals



Features

- Single seal
- Available for standard (eCartex-ASPN) and big bore (eCartex-ABPN) seal chambers
- Cartridge
- Balanced
- Independent of direction of rotation
- Single seals with flush (-ASPN, -ABPN) and with quench combined with lip seal (-ASQN, -ABQN) or throttle ring (-ASTN, -ABTN)

Advantages

- **The series has sliding surfaces that are equipped with EagleBurgmann DiamondFace technology as standard**
- Up to 80 % less energy consumption and minimized heat generation of seal due to friction-reducing DiamondFace layer
- Up to 100 % extended operating period, prolongation of MTBF and MTBR intervals
- Significantly improved dry-run capability for inadequately lubricated sealing surfaces, thus vastly improved process safety
- Universally applicable, even with high solids content in the medium

Operating range

Shaft diameter: $d_1 = 1.000'' \dots 3.750''$
Other sizes on request
Temperature:
 $t = -40\text{ °C} \dots 220\text{ °C} (-40\text{ °F} \dots 428\text{ °F})$
(Check O-Ring resistance)

Sliding face material combination BQ1
Pressure: $p_1 = 25\text{ bar} (363\text{ PSI})$
Sliding velocity: $v_g = 16\text{ m/s} (52\text{ ft/s})$

Sliding face material combination Q1Q1 or U2Q1
Pressure: $p_1 = 12\text{ bar} (174\text{ PSI})$
Sliding velocity: $v_g = 10\text{ m/s} (33\text{ ft/s})$

Axial movement:
 $\pm 1.0\text{ mm}, d_1 \geq 75\text{ mm} \pm 1.5\text{ mm}$

Materials

Seal face: Silicon carbide DiamondFace (Q15)
Seat: Silicon carbide DiamondFace (Q15)
Secondary seals: FKM (V), EPDM (E), FFKM (K), Perfluorcarbon rubber/PTFE (U1)
Springs: Hastelloy® C-4 (M)
Metal parts: CrNiMo steel (G), CrNiMo cast steel (G)

Standards and approvals

- ANSI

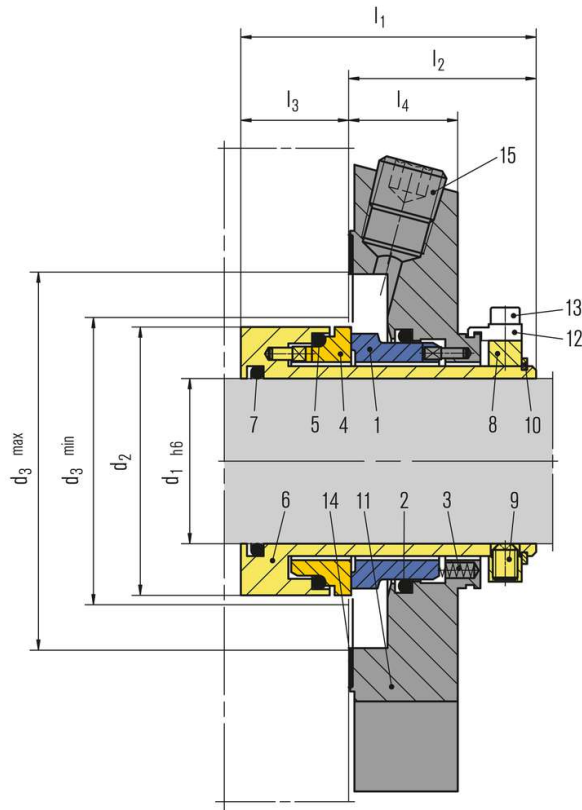
Recommended applications

- Process industry
- Petrochemical industry
- Chemical industry
- Pharmaceutical industry
- Power plant technology
- Pulp and paper industry
- Water and waste water technology
- Mining industry
- Food and beverage industry
- Universally applicable
- ANSI process pumps

All technical specifications are based on extensive tests and our many years of experience. The diversity of possible applications, however, means that they can serve only as guide values.

We must be notified of the exact conditions of application before we can provide any guarantee for a specific case. This is subject to change.

RELY ON EXCELLENCE



Item Description

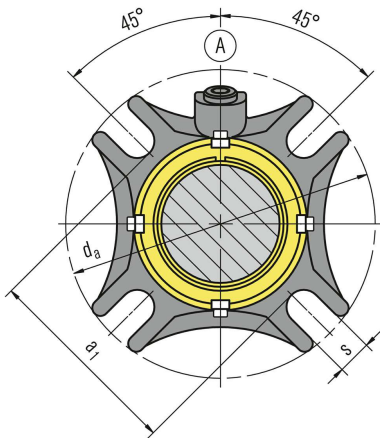
- | | |
|---------|--|
| 1 | Seal face |
| 2, 5, 7 | O-Ring |
| 3 | Spring |
| 4 | Seat |
| 6 | Shaft sleeve |
| 8 | Drive collar |
| 9 | Set screw |
| 10 | Snap ring |
| 11 | Cover |
| 12 | Assembly fixture (remove after installation) |
| 13 | Screw |
| 14 | Gasket |
| 15 | Screw plug |
| 16 | Lip seal (-QN), throttle ring (-TN) |

All technical specifications are based on extensive tests and our many years of experience. The diversity of possible applications, however, means that they can serve only as guide values.

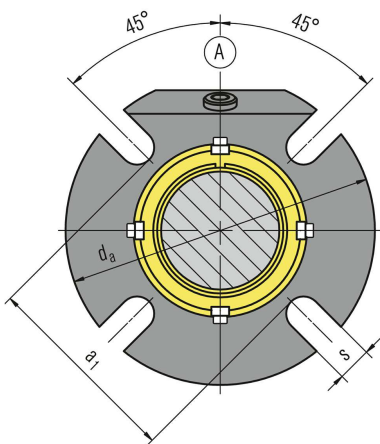
We must be notified of the exact conditions of application before we can provide any guarantee for a specific case. This is subject to change.

RELY ON EXCELLENCE

Installation, details, options



Seal cover
Cast version



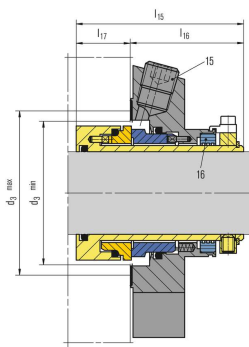
Seal cover
Machined version

All technical specifications are based on extensive tests and our many years of experience. The diversity of possible applications, however, means that they can serve only as guide values.

We must be notified of the exact conditions of application before we can provide any guarantee for a specific case. This is subject to change.

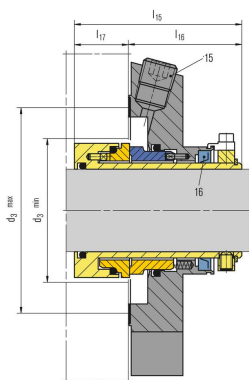
RELY ON EXCELLENCE

Product variants



eCartex-ASTN and -ABTN

Single seal for operation with unpressurized quench for standard (S) and big bore (B) seal chambers. Same as eCartex-ASP and -ABPN but with throttle ring (item 16). The cover has auxiliary connections for flushing and quench. Throttle ring: PTFE carbon-graphite reinforced (T12).



eCartex-ASON and -ABQN

Single seal for operation with unpressurized quench for standard (S) and big bore (B) seal chambers. Same as eCartex-ASP and -ABPN version but with lip seal (item 16) at the atmospheric side. The cover has auxiliary connections for flushing and quench. Lip seal: NBR (P), PTFE carbon reinforced (T3).

All technical specifications are based on extensive tests and our many years of experience. The diversity of possible applications, however, means that they can serve only as guide values.

We must be notified of the exact conditions of application before we can provide any guarantee for a specific case. This is subject to change.

RELY ON EXCELLENCE

Dimensions

d ₁	d ₂	d _{3 min}	d _{3 max}	l ₄	l ₅	l ₆	l ₇	a ₂	d _a	s	Connection
1.000	1.693	1.732	2.205	1.000	3.406	2.102	1.303	2.441	3.937	0.433	1/4 NPT
1.125	1.713	1.752	2.205	1.000	3.228	3.228	1.343	2.441	4.134	0.437	1/4 NPT
1.250	1.969	2.008	2.402	1.000	3.406	2.102	1.303	2.756	4.252	0.433	1/4 NPT
1.375	1.961	2.000	2.402	1.000	3.406	2.083	1.303	2.756	4.213	0.437	1/4 NPT
1.500	2.200	2.244	2.717	1.000	3.406	2.102	1.303	2.953	4.488	0.551	3/8 NPT
1.625	2.340	2.421	2.795	1.000	3.406	2.102	1.303	3.091	4.921	0.551	3/8 NPT
1.750	2.461	2.500	2.953	1.000	3.406	2.102	1.303	3.228	5.118	0.559	3/8 NPT
1.875	2.583	2.661	3.070	1.000	3.406	2.102	1.303	3.307	5.118	0.551	3/8 NPT
2.000	2.677	2.756	3.189	1.000	3.406	2.102	1.303	3.425	5.472	0.630	3/8 NPT
2.125	2.834	2.913	3.583	1.000	3.406	2.102	1.303	3.819	5.512	0.650	3/8 NPT
2.250	2.960	3.039	3.583	1.000	3.406	2.102	1.303	3.858	5.866	0.650	3/8 NPT
2.375	3.070	3.125	3.590	1.000	-	-	-	-	6.181	0.709	3/8 NPT
2.500	3.212	3.291	3.937	1.122	3.406	2.102	1.303	4.528	6.693	0.709	3/8 NPT
2.625	3.338	3.417	4.016	1.250	3.406	2.102	1.303	4.528	6.378	0.630	3/8 NPT
2.750	3.660	3.740	4.370	1.260	3.406	2.102	1.303	4.646	7.441	0.709	3/8 NPT
3.000	3.937	4.016	4.724	1.260	4.252	2.516	1.736	5.000	7.835	0.709	3/8 NPT
3.250	4.189	4.268	4.921	1.260	4.252	2.516	1.736	5.315	7.830	0.709	3/8 NPT
3.750	4.689	4.750	5.433	1.000	-	-	-	-	8.189	0.866	3/8 NPT

STANDARD BORE - Dimensions in inch

Dimensions

d ₁	d ₂	d _{3 min}	d _{3 max}	l ₄	l ₅	l ₆	l ₇	a ₂	d _a	s	Connection
1.000	-	-	-	-	-	-	-	-	-	-	-
1125	1713	1752	2795	1000	3228	1886	1343	3311	4500	0.437	1/4 NPT
1250	-	-	-	-	-	-	-	-	-	-	-
1375	1960	2000	3189	1000	3406	2083	1323	3543	5118	0.437	1/4 NPT
1.500	-	-	-	-	-	-	-	-	-	-	-
1.625	-	-	-	-	-	-	-	-	-	-	-
1.750	2.461	2.500	4.055	1.000	3.406	2.083	1.323	4.567	6.496	0.559	3/8 NPT
1.875	2.583	2.661	3.937	1.000	3.406	2.083	1.323	4.409	5.984	0.551	3/8 NPT
2.000	2.677	2.756	4.567	1.260	3.406	2.102	1.303	4.882	6.260	0.551	3/8 NPT
2.125	2.834	2.913	4.528	1.000	3.406	2.102	1.303	5.276	6.890	0.709	3/8 NPT
2.250	2.960	3.093	4.409	1.276	3.406	2.102	1.303	4.685	6.417	0.709	3/8 NPT
2.500	3.212	3.299	5.276	1.250	3.406	2.102	1.303	5.512	7.795	0.709	3/8 NPT
2.625	3.338	3.417	5.118	1.250	3.406	2.102	1.303	5.354	6.890	0.709	3/8 NPT
2.750	3.660	3.740	5.236	1.276	3.406	2.102	1.303	5.512	7.480	0.630	3/8 NPT
3.000	3.937	4.016	5.512	1.276	3.406	2.516	1.303	5.906	8.228	0.650	3/8 NPT
3.250	-	-	-	-	-	-	-	-	-	-	-

BIG BORE - Dimensions in inch

All technical specifications are based on extensive tests and our many years of experience. The diversity of possible applications, however, means that they can serve only as guide values.

We must be notified of the exact conditions of application before we can provide any guarantee for a specific case. This is subject to change.