

RELY ON EXCELLENCE

CSE

Mechanical seals | Compressor seals | Separation seals



Features

- Non-contacting bushing seal
- Gas-lubricated
- Bi-directional
- Ready-to-fit cartridge unit
- Equipped with Espey carbon rings type WKA400

Advantages

- Low leakage
- Slow roll capability
- Insensitive to dry nitrogen

Operating range

Shaft diameter:
38 ... 390 mm (1,50" ... 15,35")
Design pressure:
p = ... 10 bar (145 PSI)
Operating pressure:
p = 0.07 bar (1.02 PSI)
Temperature:
t = -20 °C ... +200 °C (-4 °F ... +392 °F)
Sliding velocity:
vg = 0 ... 200 m/s (0 ... 656 ft/s)
Dew point: No limitation

Project specific special designs possible.

Materials

Seal face: Carbon graphite impregnated
Secondary seals: FKM
Shaft sleeve: Stainless steel, TC-coated
Metal parts: 1.4006 or other stainless steels

Standards and approvals

- NACE
- API 692

Notes

The service-proven non-contacting bushing seal with low gas consumption. Non contact type carbon rings are segmented rings held together by a garter spring at the outer diameter. A defined minimum radial gap provides a contact-free operation. Robust design and reliable operation provide secure oil sealing even at extreme conditions.

Dimensions on request.

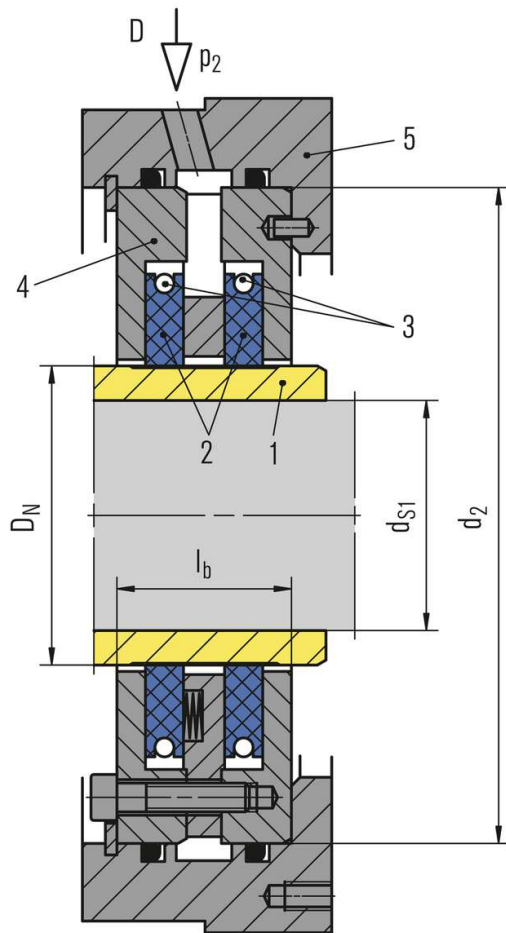
Recommended applications

- Oil and gas industry
- Refining technology
- Petrochemical industry
- Nitrogen
- Air
- Centrifugal compressors
- Turbo expanders
- Screw compressors
- Blowers

All technical specifications are based on extensive tests and our many years of experience. The diversity of possible applications, however, means that they can serve only as guide values.

We must be notified of the exact conditions of application before we can provide any guarantee for a specific case. This is subject to change.

RELY ON EXCELLENCE



Item Description

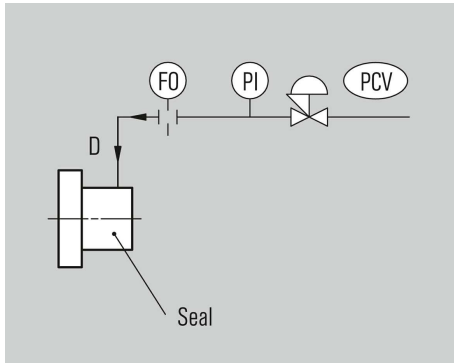
- 1 Shaft sleeve
- 2 Segmented carbon ring
- 3 Garter spring
- 4 Housing of the standardized sub-cartridge
- 5 Housing (size matched to installation space)
- D Separation gas

All technical specifications are based on extensive tests and our many years of experience. The diversity of possible applications, however, means that they can serve only as guide values.

We must be notified of the exact conditions of application before we can provide any guarantee for a specific case. This is subject to change.

RELY ON EXCELLENCE

Installation, details, options



Piping and instrumentation diagram of a CSE (flow controlled separating gas supply).

All technical specifications are based on extensive tests and our many years of experience. The diversity of possible applications, however, means that they can serve only as guide values.

We must be notified of the exact conditions of application before we can provide any guarantee for a specific case. This is subject to change.