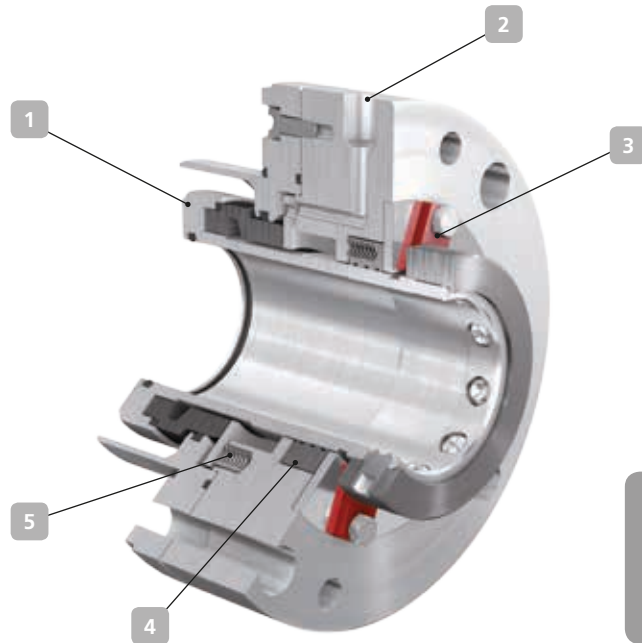


4RPQ – for KSB's RPH type series



Applications:
non-API 682 applications in
the chemical and petrochemical
industries

1 Compact

Single cartridge seal, bi-directional and balanced.

2 Robust

The materials and design ensure a long service life.
The mechanical seal features threaded connections for
flushing out leakage at the atmospheric side.

3 Service-friendly

Tailored to the seal installation space and requirements
of the pump. Easy installation; the assembly fixtures
provide optimal spring pre-loading and pre-centring
for transport and installation.

4 Increased safety

An integrated, floating throttling ring provides
additional safety in the event of leakage.

5 Dependable

Stationary design, multiple springs located outside
the fluid handled.

Technical description

Design	Single cartridge seal
Type	Stationary, balanced
Springs	Multi-spring arrangement
Direction of rotation	Bi-directional

Materials

Primary ring	SiC (Q1)
Mating ring	"B" carbon (B)
Elastomers	EPDM (E)
Springs	2.4610 (M)
Other Components	1.4571 (G)

Other material combinations on request

Technical data

Operating pressure	Up to 40 bar, dynamic Up to 60 bar, static
Temperature	-20 °C to 80 °C
Bearing bracket (seal size)	B02L (050), B03L (060), B05L (079), B06L (100)
Business type	Standard (KSB EasySelect)