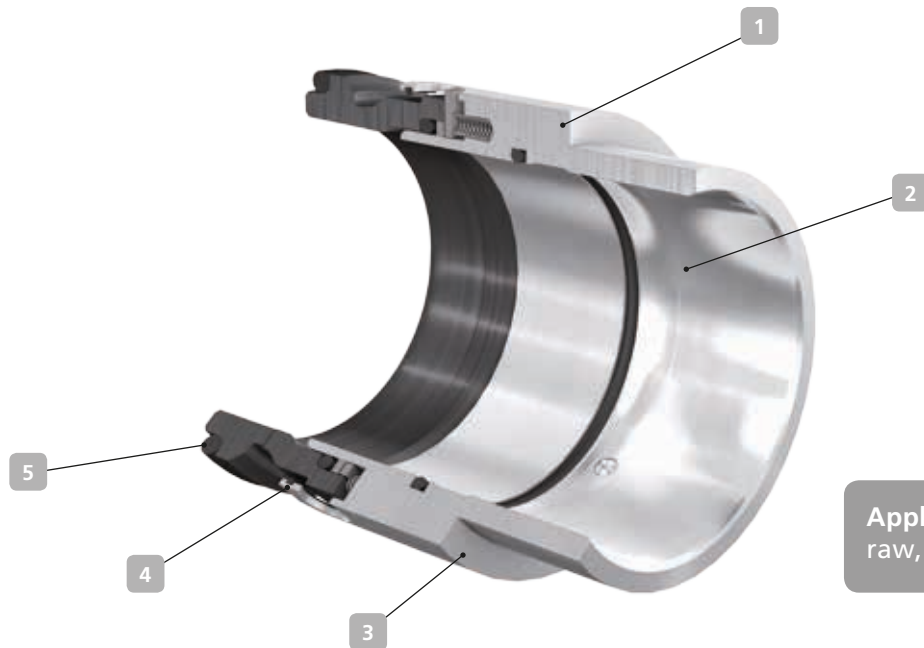


40M – for KSB's Omega type series



Applications:
raw, clean and service water

1 Dependable

Single mechanical seal, tailored to the pump requirements. Robust and practical.

2 Compact

The pump's spacer sleeve is integrated in the mechanical seal.

3 Versatile

Optimally designed with one seal type covering all of Omega's applications.

4 Easy to install

No adjusting dimension required for installing the mechanical seal. The primary ring is kept in position in the torque-transmitting element for transport and installation.

5 Different material variants

Elastomers made of EPDM or FKM. Metal parts available in super duplex stainless steel (1.4501) for seawater applications.

Technical description

Design	Single mechanical seal
Type	Dynamic, balanced
Springs	Multi-spring arrangement
Direction of rotation	Bi-directional
Additional information	Approved for drinking water (WRAS) Various wear part kits available, see ZN3302

Materials

Primary ring	SiC (Q1) / SiC-Si (Q2)
Mating ring	SiC-Si (Q2) / "A" carbon (A) / "B" carbon (B)
Elastomers	EPDM (E) / FKM (V)
Springs	1.4571 (G) / 2.4610 (M)
Other Components	1.4571 (G) / 1.4501 (G4)

Other material combinations on request

Technical data

Operating pressure	Up to 25 bar, dynamic Up to 37.5 bar, static
Temperature	-10 °C to 140 °C
Shaft unit (seal size)	40 (50), 50 (60), 60 (70), 70 (80), 80 (90), 90 (110)
Business type	Standard (KSB EasySelect)