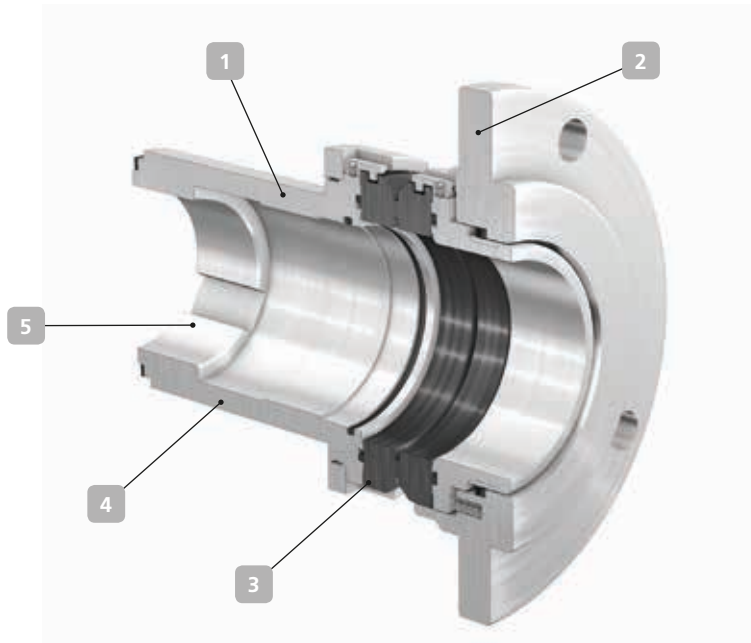


4KST – for KSB's HPH pump type series



Applications:
hot water

1 Compact

The perfect match for HPH hot water pumps. The design is tailored to the cooled pump cover.

2 Robust

This robust seal is designed for operating conditions with extremely high pressures and temperatures.

3 Safe

The solid seal faces abut the metal components and are thus axially secured. This prevents tilting of the seal faces. This ensures reliable sealing and low wear also in extreme conditions.

4 Dependable

The special design with hook sleeve does away with the need for an axial adjusting dimension; the seal is always perfectly positioned on the pump shaft.

5 Durable

This high-quality sealing solution ensures reliable pump operation and a long service life.

Technical description

Design	Single mechanical seal
Type	Stationary, balanced
Springs	Multi-spring arrangement
Direction of rotation	Bi-directional

Materials

Primary ring	"A" carbon (A)
Mating ring	SiC-Si (Q2)
Elastomere	EPDM (E)
Springs	1.4571 (G)
Other Components	1.4122 (E)

Technical data

Operating pressure	Up to 110 bar
Temperature	Up to 320° C
Bearing bracket (shaft diameter)	P03 (035), P04 (045), P06 (065), B07 (085), B07 (100)
Business type	Standard